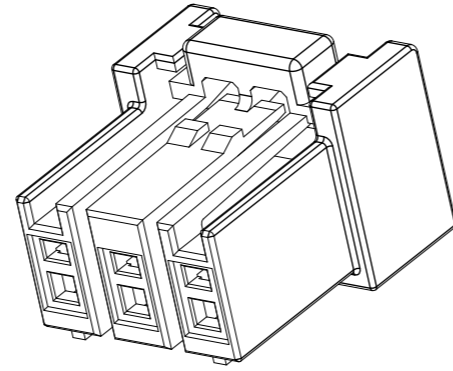
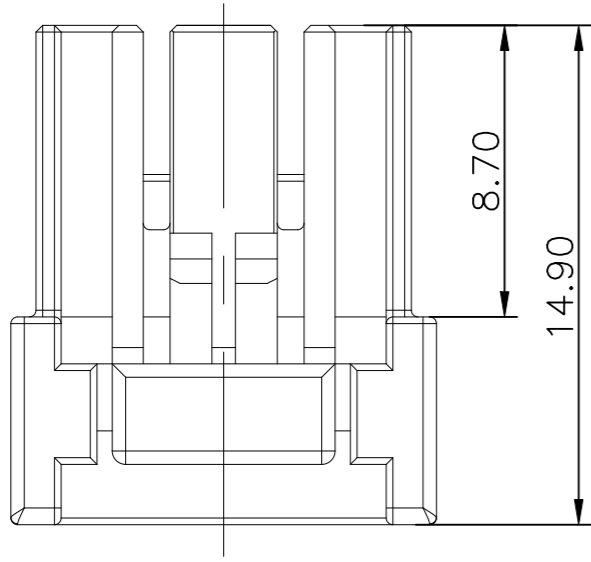


P	LTR	DESCRIPTION	DATE	DWN	APVD
B1		Note 3 updated: Removed PN: X-2420265-X	12MAR2026	WB	MS



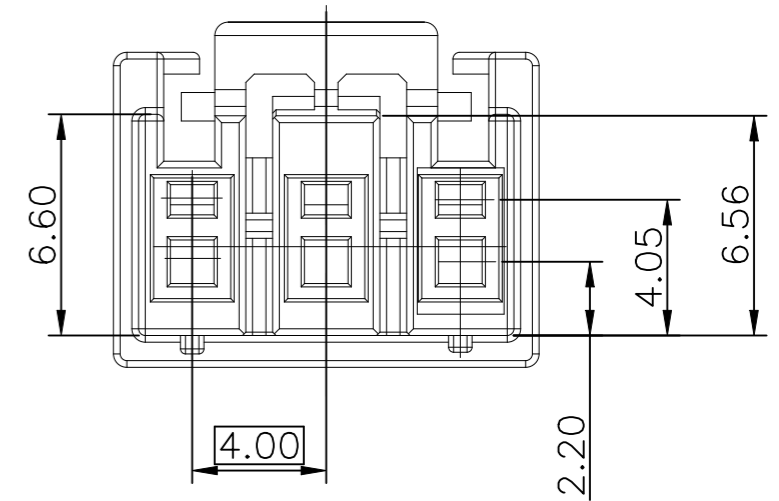
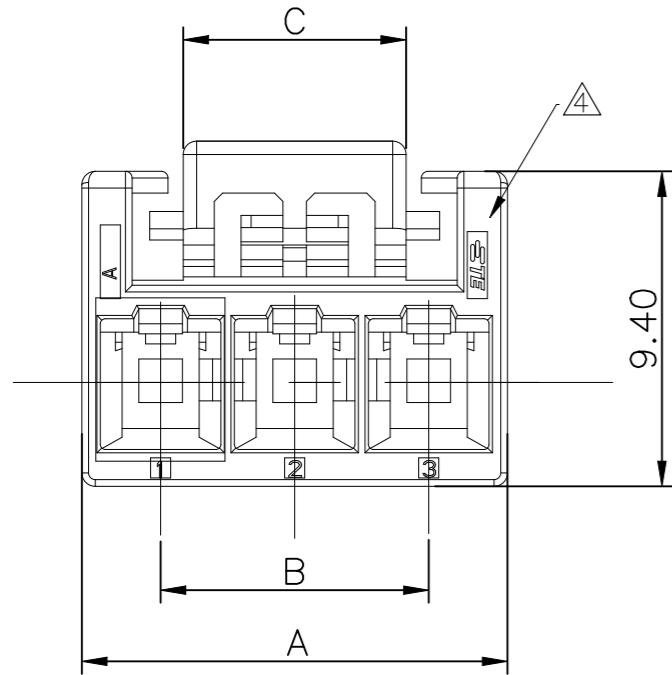
CIRCUITS	COLOUR	KEYING	P/N	DIMENSIONS(mm)		
				A	B	C
2	LIGHT BLUE	A	2420266-2	8.7	4.0	2.7
	YELLOW	B	2-2420266-2	8.7	4.0	2.7
	RED	C	3-2420266-2	8.7	4.0	2.7
3	LIGHT BLUE	A	2420266-3	12.7	8.0	6.65
	YELLOW	B	2-2420266-3	12.7	8.0	6.65
	RED	C	3-2420266-3	12.7	8.0	6.65
4	LIGHT BLUE	A	2420266-4	16.7	12.0	7.2
	YELLOW	B	2-2420266-4	16.7	12.0	7.2
	RED	C	3-2420266-4	16.7	12.0	7.2
5	LIGHT BLUE	/	2420266-5	20.7	16.0	6.65

NOTES:

- MATERIAL: PBT UL94V-0.
- COMPATIBLE CONTACT: 2420268-X.

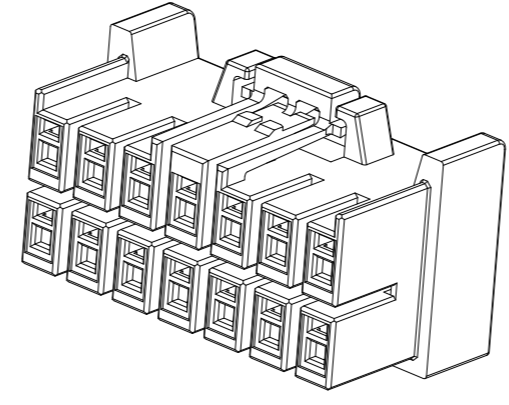
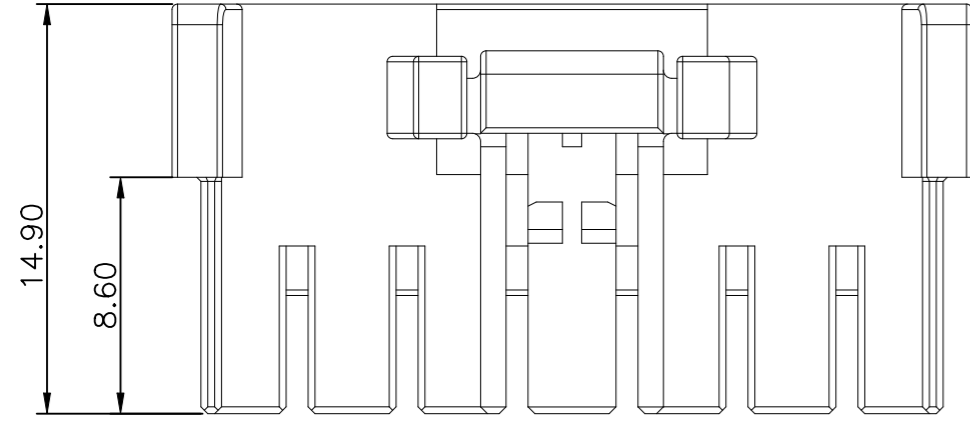
Ⓜ 3. MATING PARTS: X-2423324-X

△ TRADE MARK : TE

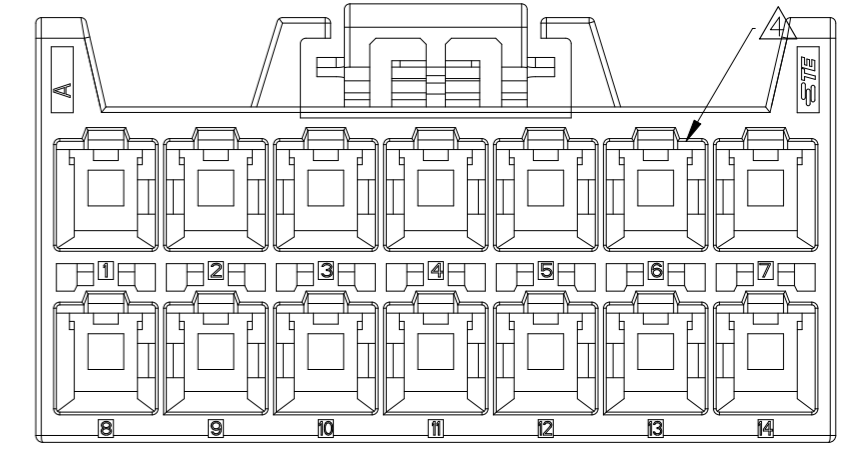
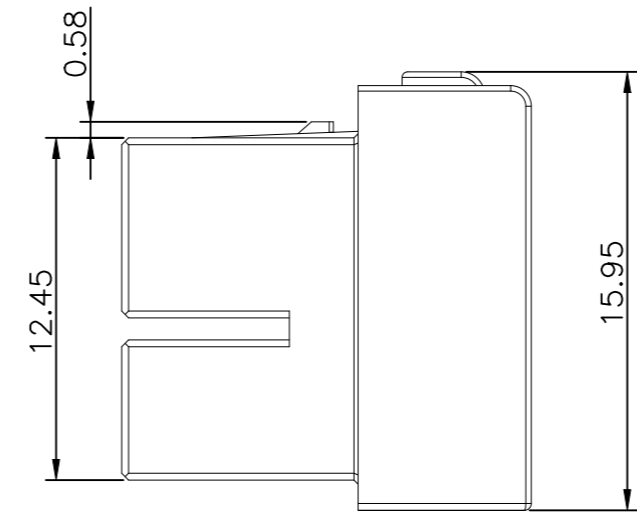
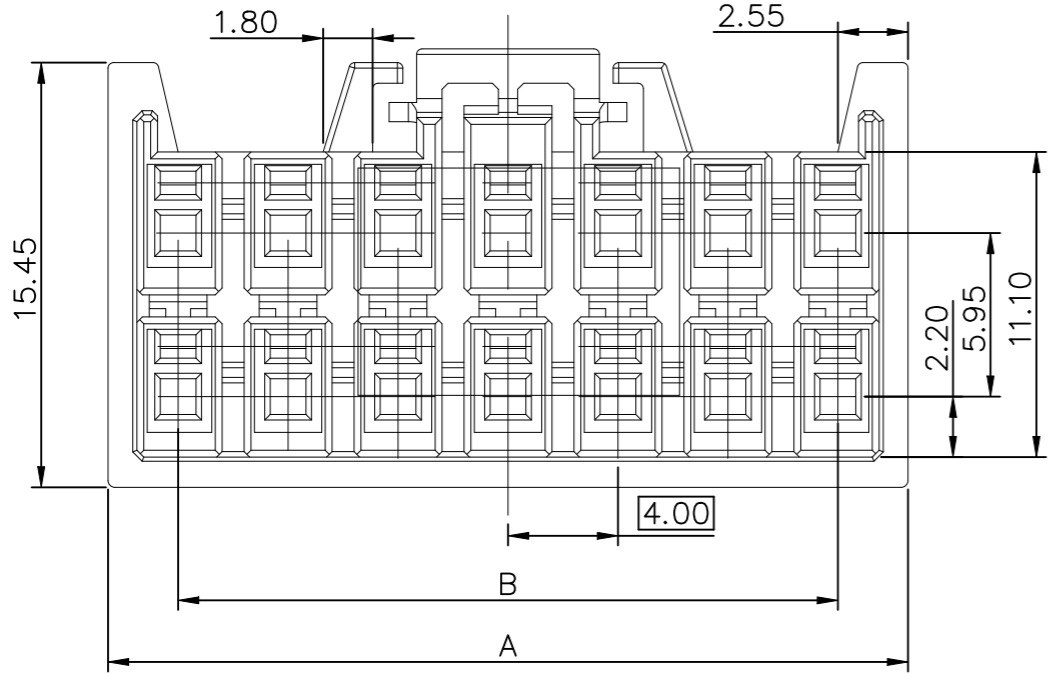


THIS DRAWING IS A CONTROLLED DOCUMENT.		DWN CONNOR KANG 20DEC2022	TE Connectivity Ltd.														
DIMENSIONS: mm		CHK HOPE LU 20DEC2022															
TOLERANCES UNLESS OTHERWISE SPECIFIED:		APVD LU HOPE 10JUN2022	NAME HCI 4.0 PITCH WTB SOCKET HSG														
<table border="1"> <tr> <td>0 PLC</td> <td>± -</td> </tr> <tr> <td>1 PLC</td> <td>± 0.30</td> </tr> <tr> <td>2 PLC</td> <td>± 0.20</td> </tr> <tr> <td>3 PLC</td> <td>± -</td> </tr> <tr> <td>4 PLC</td> <td>± -</td> </tr> <tr> <td>ANGLES</td> <td>± -</td> </tr> </table>		0 PLC	± -	1 PLC	± 0.30	2 PLC	± 0.20	3 PLC	± -	4 PLC	± -	ANGLES	± -	PRODUCT SPEC 108-160771	-		
0 PLC	± -																
1 PLC	± 0.30																
2 PLC	± 0.20																
3 PLC	± -																
4 PLC	± -																
ANGLES	± -																
MATERIAL -		FINISH -	APPLICATION SPEC 114-160464	SIZE A3	CAGE CODE 00779												
		WEIGHT -	DRAWING NO C-2420266	RESTRICTED TO -													
CUSTOMER DRAWING			SCALE N.T.S	SHEET 1 of 5	REV B1												

P	LTR	DESCRIPTION	DATE	DWN	APVD
-	-	SEE SHEET 1	-	-	-



CIRCUITS	COLOUR	KEYING	P/N	DIMENSIONS(mm)			
				A	B	C	D
6	LIGHT BLUE	/	2420266-6	13.1	8.0	6.65	/
8	LIGHT BLUE	/	2420266-8	17.1	12.0	7.2	11.9
10	LIGHT BLUE	/	1-2420266-0	21.1	16.0	6.65	11.45
12	LIGHT BLUE	/	1-2420266-2	25.1	20.0	7.2	11.9
14	LIGHT BLUE	/	1-2420266-4	29.1	24.0	6.65	11.45

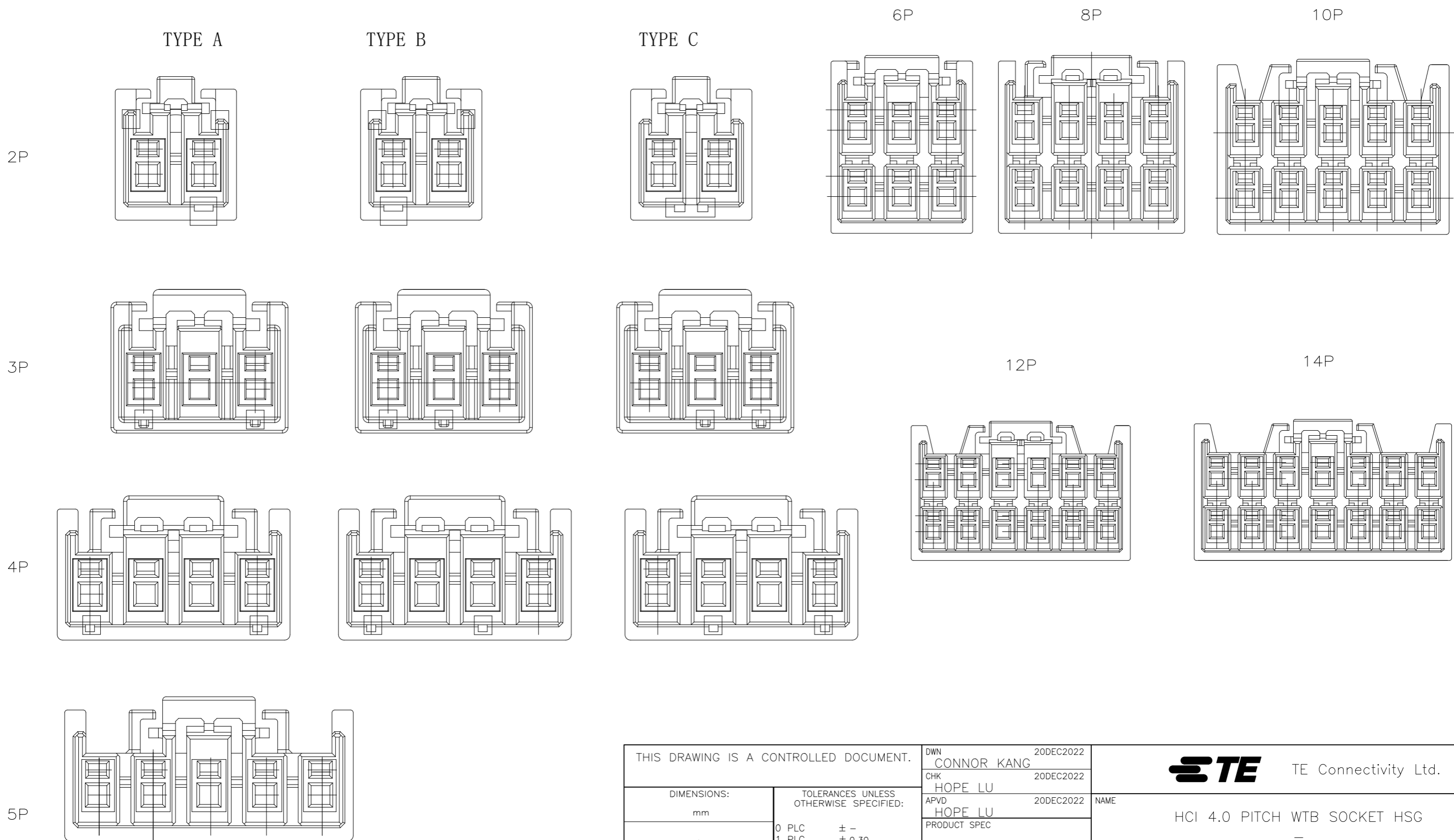


- NOTES:
1. MATERIAL: PBT UL94V-0.
 2. COMPATIBLE CONTACT: 2420268-X.
 3. MATING PARTS: X-2423324-X
- TRADE MARK : TE

THIS DRAWING IS A CONTROLLED DOCUMENT.		DWN	20DEC2022		TE Connectivity Ltd.	
		CHK	20DEC2022			
		APVD	20DEC2022		NAME	
		PRODUCT SPEC			HCI 4.0 PITCH WTB SOCKET HSG	
		APPLICATION SPEC				
		WEIGHT	-		SIZE	RESTRICTED TO
		CUSTOMER DRAWING		A3	CAGE CODE	REV
				C-2420266	00779	B1
				SCALE	SHEET	
				1:1	2 of 5	

REVISIONS

P	LTR	DESCRIPTION	DATE	DWN	APVD
-	-	SEE SHEET 1	-	-	-



THIS DRAWING IS A CONTROLLED DOCUMENT.		DWN	20DEC2022		STE TE Connectivity Ltd.
		CHK	CONNOR KANG 20DEC2022		
		APVD	HOPE LU 20DEC2022		NAME HCI 4.0 PITCH WTB SOCKET HSG
		PRODUCT SPEC	HOPE LU		
		APPLICATION SPEC	-		SIZE A3
		WEIGHT	-		
		CUSTOMER DRAWING	CAGE CODE	00779	DRAWING NO
		SCALE	1:1		RESTRICTED TO
		SHEET	3 of 5		REV
			B1		

REVISIONS					
P	LTR	DESCRIPTION	DATE	DWN	APVD
	-	SEE SHEET 1	-	-	-

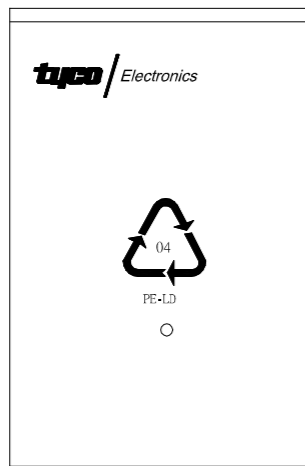


FIGURE 1

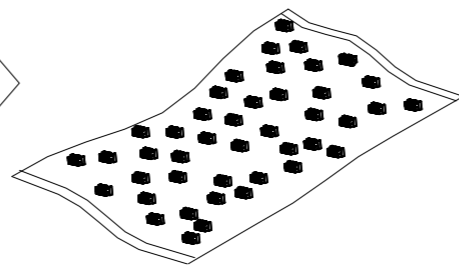
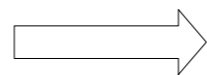


FIGURE 2

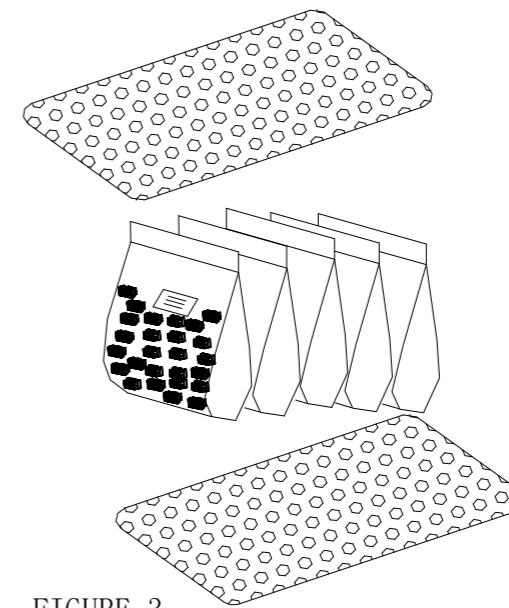
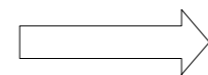


FIGURE 3

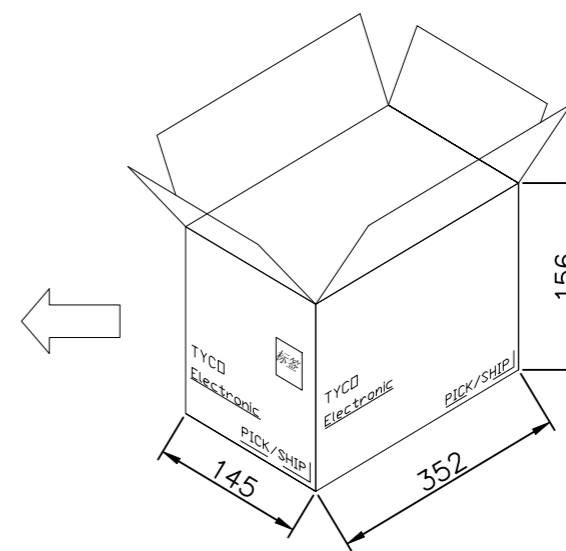


FIGURE 4

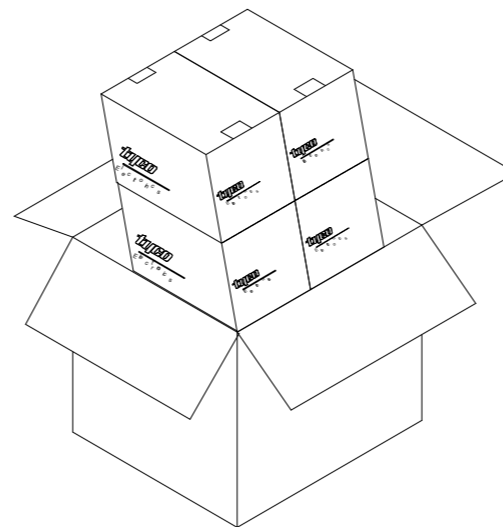
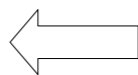


FIGURE 5

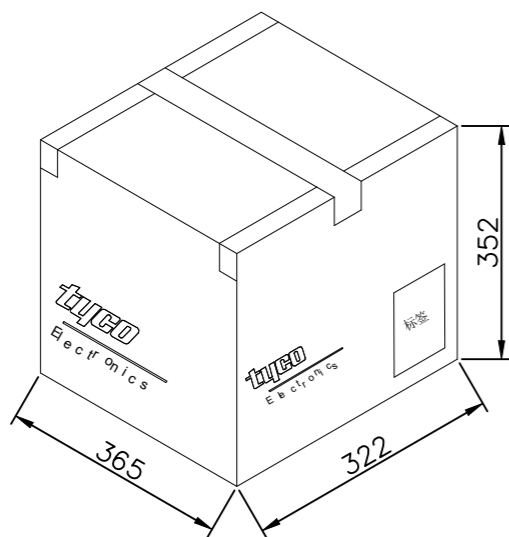



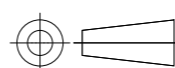
FIGURE 6

THIS DRAWING IS A CONTROLLED DOCUMENT.		DWN	20DEC2022		STE TE Connectivity Ltd.	
		CHK	CONNOR KANG			
		APVD	20DEC2022		NAME	
		PRODUCT SPEC	HOPE LU		HCI 4.0 PITCH WTB SOCKET HSG	
		APPLICATION SPEC	-		-	
		WEIGHT	-		SIZE	RESTRICTED TO
		CUSTOMER DRAWING		A3	CAGE CODE	REV
				00779	DRAWING NO	B1
				C-2420266	SCALE	SHEET
				1:1	4 OF 5	

P	LTR	DESCRIPTION	DATE	DWN	APVD
	-	SEE SHEET 1	-	-	-

PACKAGE LIST

TE P/N	PE BAG	Q' TY	Q' TY
X-2420266-2	500 PCS	2500 PCS	10000 PCS
X-2420266-3	300 PCS	1500 PCS	6000 PCS
X-2420266-4	200 PCS	1000 PCS	4000 PCS
X-2420266-5	200 PCS	1000 PCS	4000 PCS
X-2420266-6	200 PCS	1000 PCS	4000 PCS
X-2420266-8	200 PCS	1000 PCS	4000 PCS
1-2420266-0	150 PCS	750 PCS	3000 PCS
1-2420266-2	150 PCS	750 PCS	3000 PCS
1-2420266-4	100 PCS	500 PCS	2000 PCS

THIS DRAWING IS A CONTROLLED DOCUMENT.		DWN CONNOR KANG 20DEC2022	 TE Connectivity Ltd.	
DIMENSIONS: mm		CHK HOPE LU 20DEC2022		
		APVD HOPE LU 20DEC2022	NAME HCI 4.0 PITCH WTB SOCKET HSG	
TOLERANCES UNLESS OTHERWISE SPECIFIED:		PRODUCT SPEC	-	
0 PLC ± -		APPLICATION SPEC	-	
1 PLC ± 0.30		WEIGHT	-	
2 PLC ± 0.20		CUSTOMER DRAWING	SIZE	A3
3 PLC ± -			CAGE CODE	00779
4 PLC ± -		DRAWING NO	C-2420266	
ANGLES ± -		RESTRICTED TO	-	
FINISH		SCALE	1:1	
-		SHEET	5 of 5	
-		REV	B1	