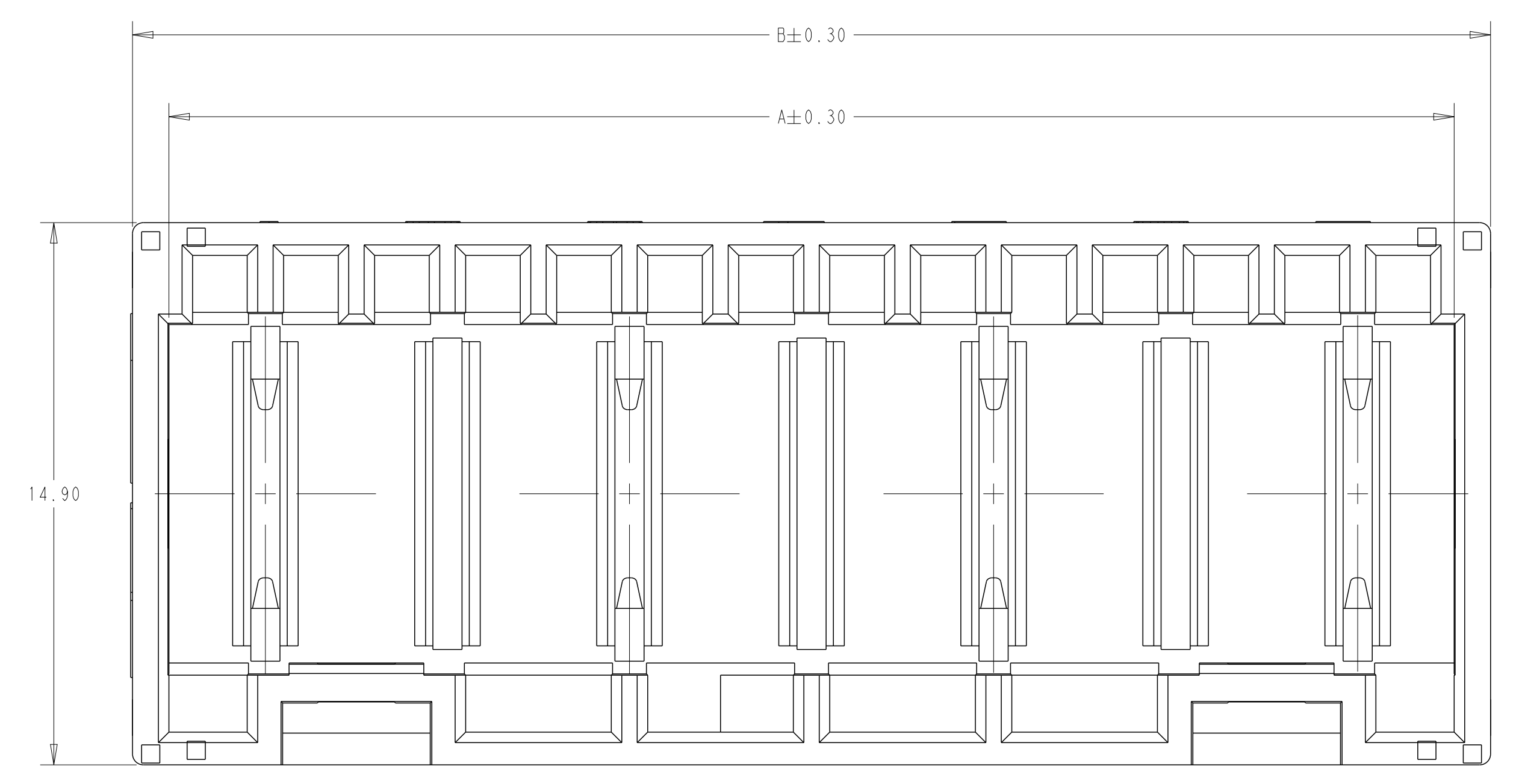
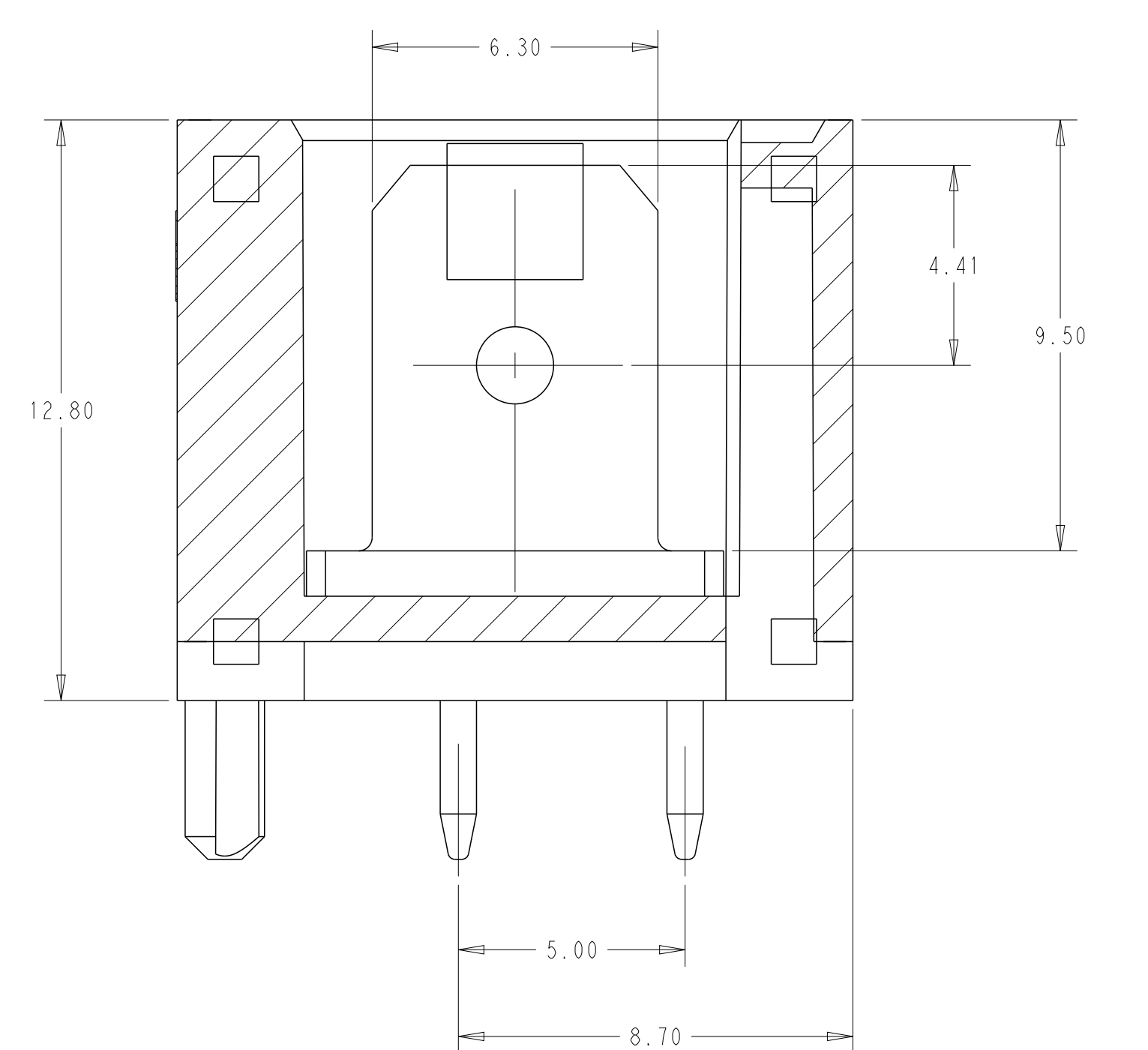
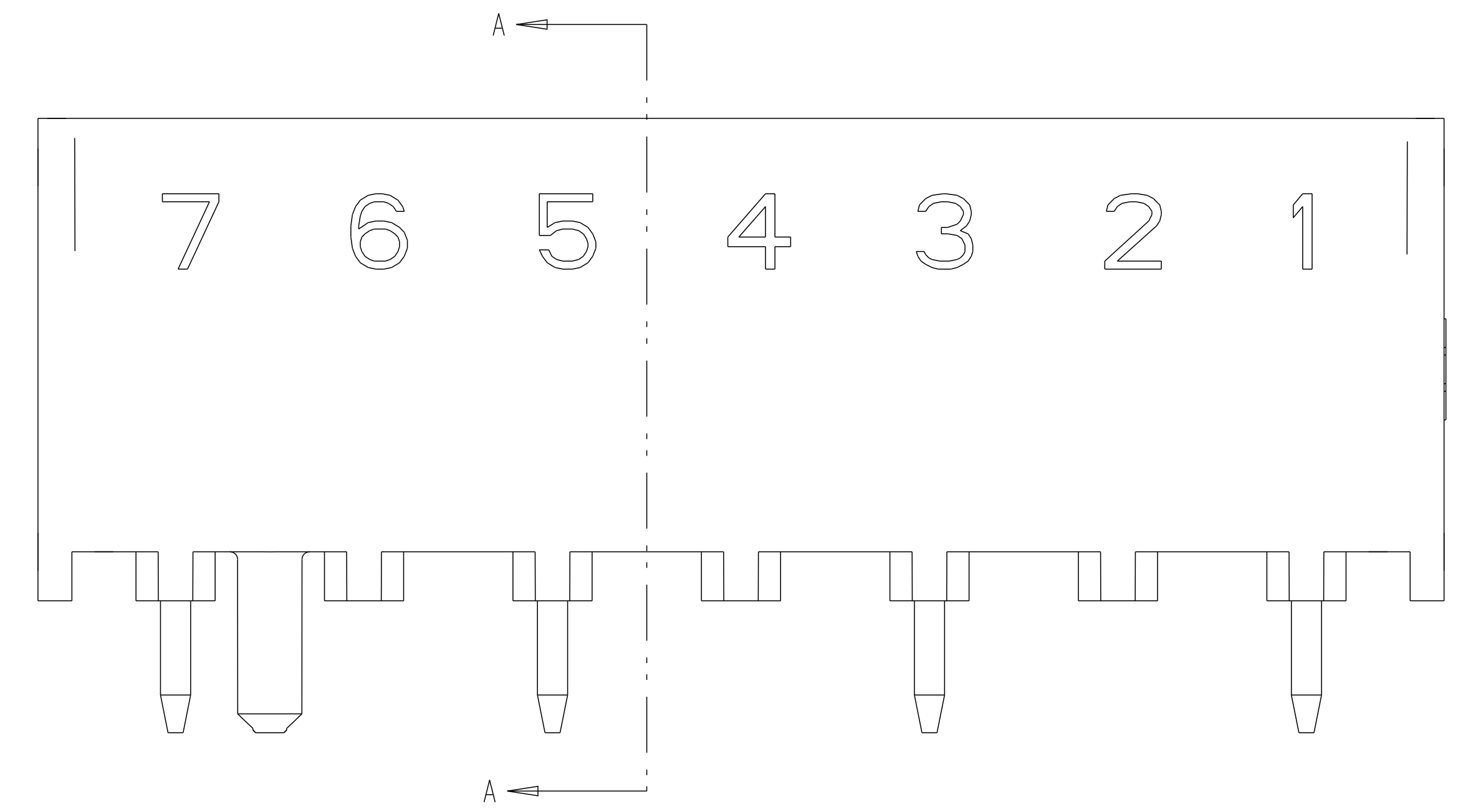
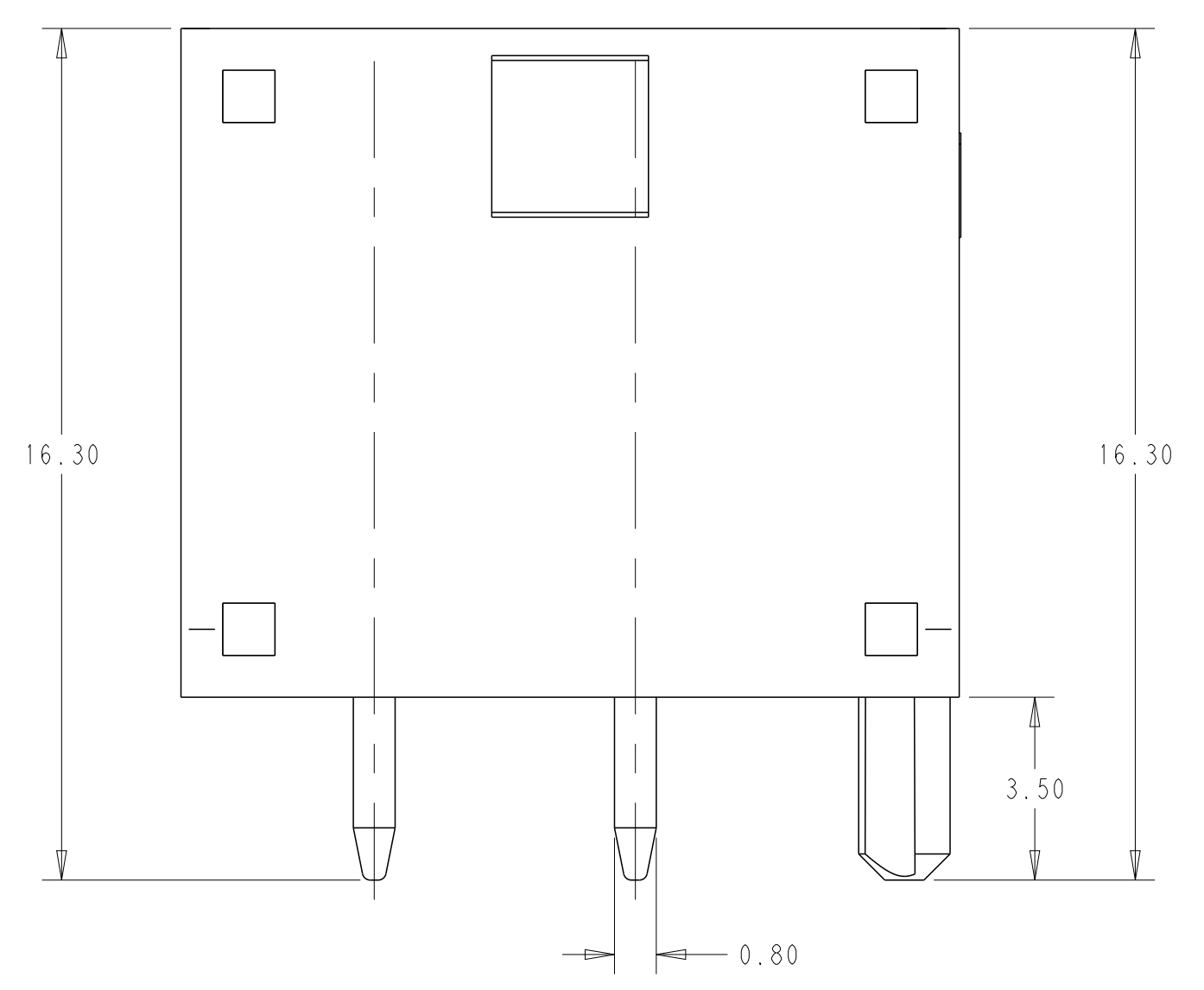
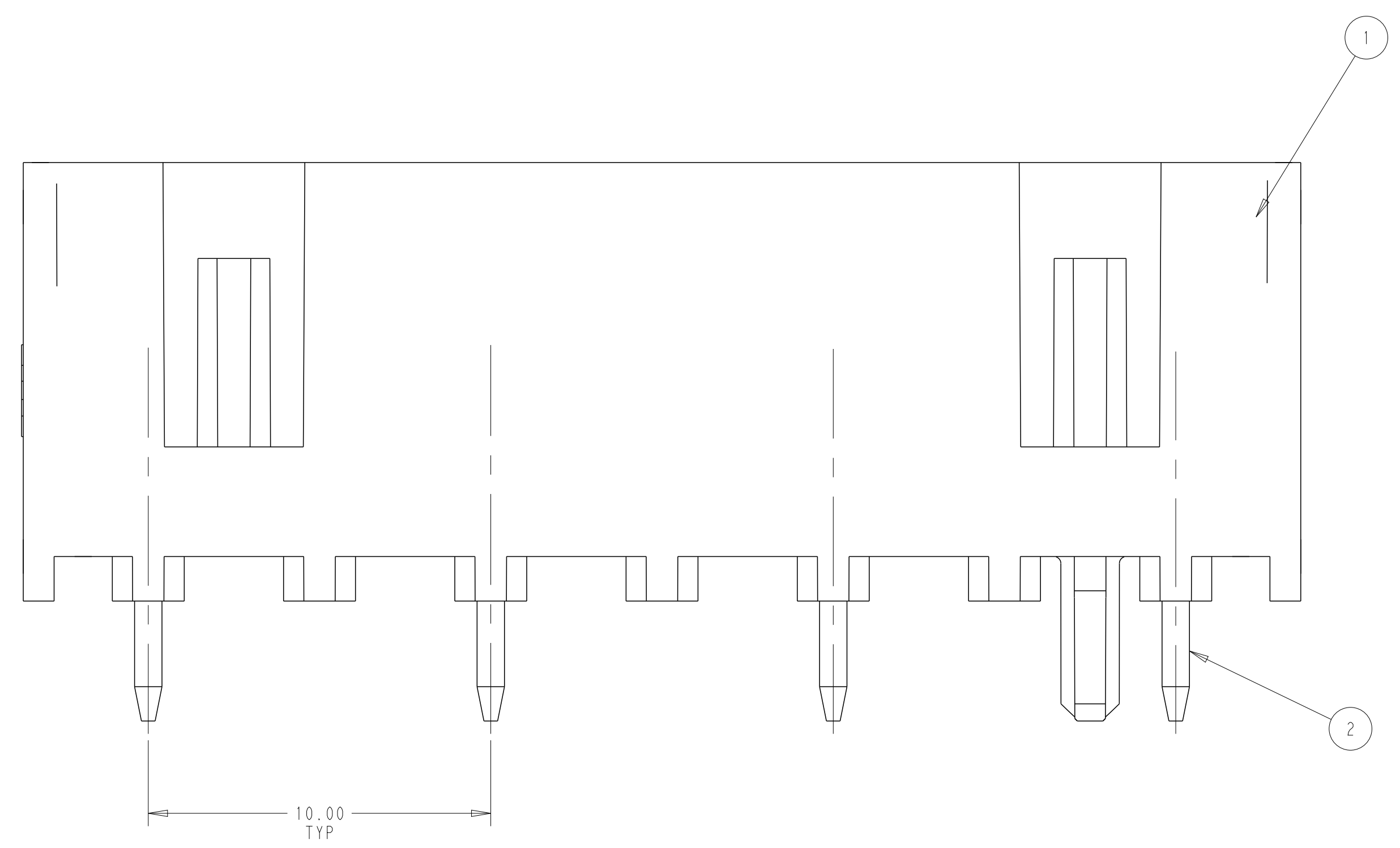


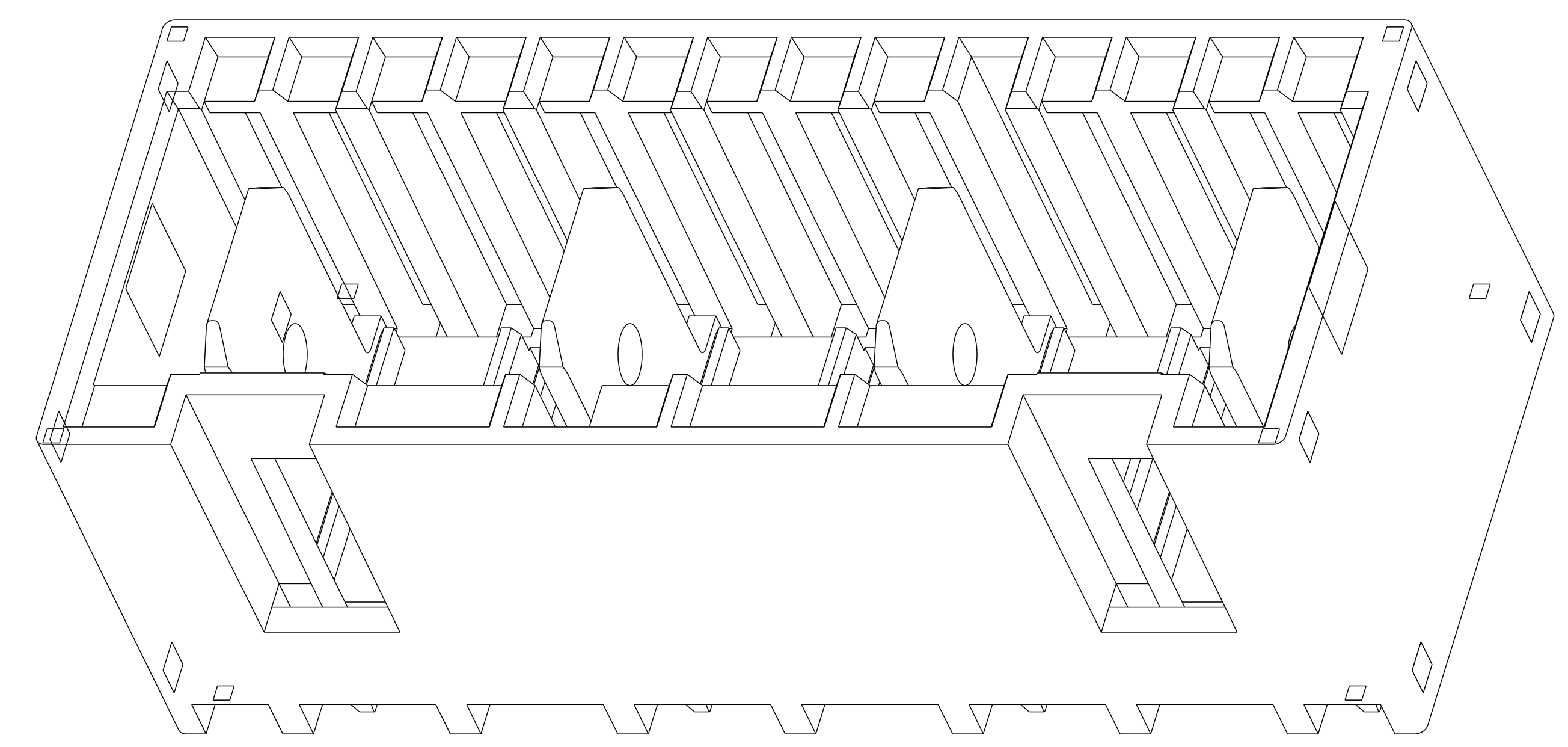
REVISIONS				
REV	DATE	DESCRIPTION	BY	APPD
3	23JAN2022	ADD NEW PARTS WITH SILVER PLATING	LZ	FL
A	10FEB2023	FIRST RELEASEMENT	TL	FL
A1	ECR-23-181981		TL	FL
A2	ECR-25-231769		SP	FL



- 1 STANDARD TAB IS USED ON PRODUCTS, TAB IS 6.30 X 0.8 ACCORDING TO DIN 46244
- 2 HOUSING HAS RAST 5 COMPLIANT KEYING, LATCHING AND POLARIZATION.G
- 3 MATERIAL: HOUSING, NYLON, UL94-V0, 750°C GWT NO FLAME PER IEC60335-1 CONTACT, COPPER ALLOY, 0.8MM THICK
- 4 FINISH: CONTACTS, MATT TIN PLATING OVERAL, NICKEL UNDER-PLATING
- 5 PCB TABS INSERTED IN A STAGGERED PATTERN BEGINNING WITH POSITION 1 (CC#11)
- 6 PRELIMINARY PART NOT RELEASED FOR PRODUCTION
- 7 PACKAGING: BULK PACKAGE/LOOSE PIECE OR TUBE



SECTION A-A



THIS DRAWING IS A CONTROLLED DOCUMENT. DATE: 03.JUL.2021
 DESIGNED BY: BASVESH WADHANI
 CHECKED BY: ZHANG, LUN
 APPROVED BY: LUPO, FEDERICO

DRAWING NO: 00779
 CASE CODE: C=2390874
 CUSTOMER DRAWING

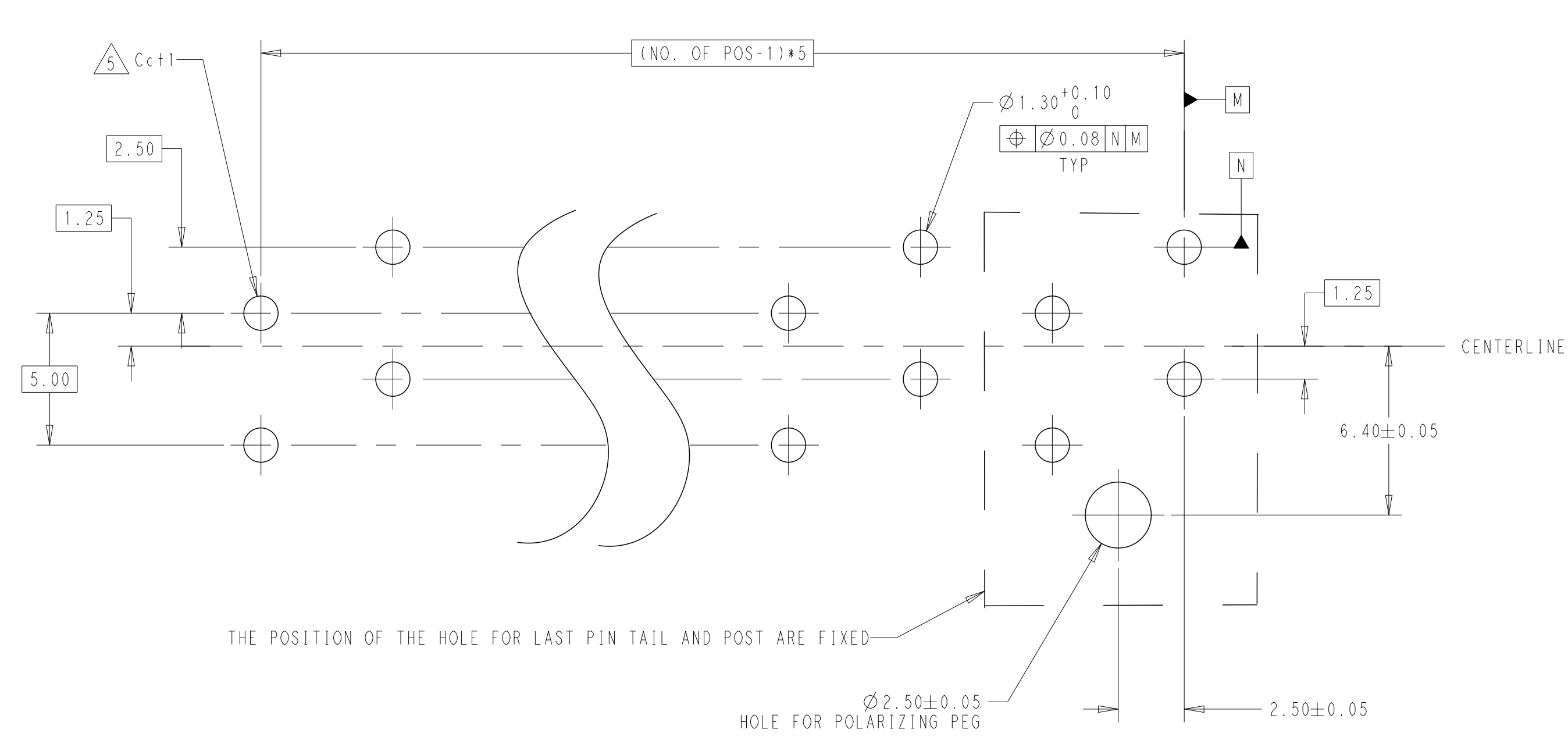
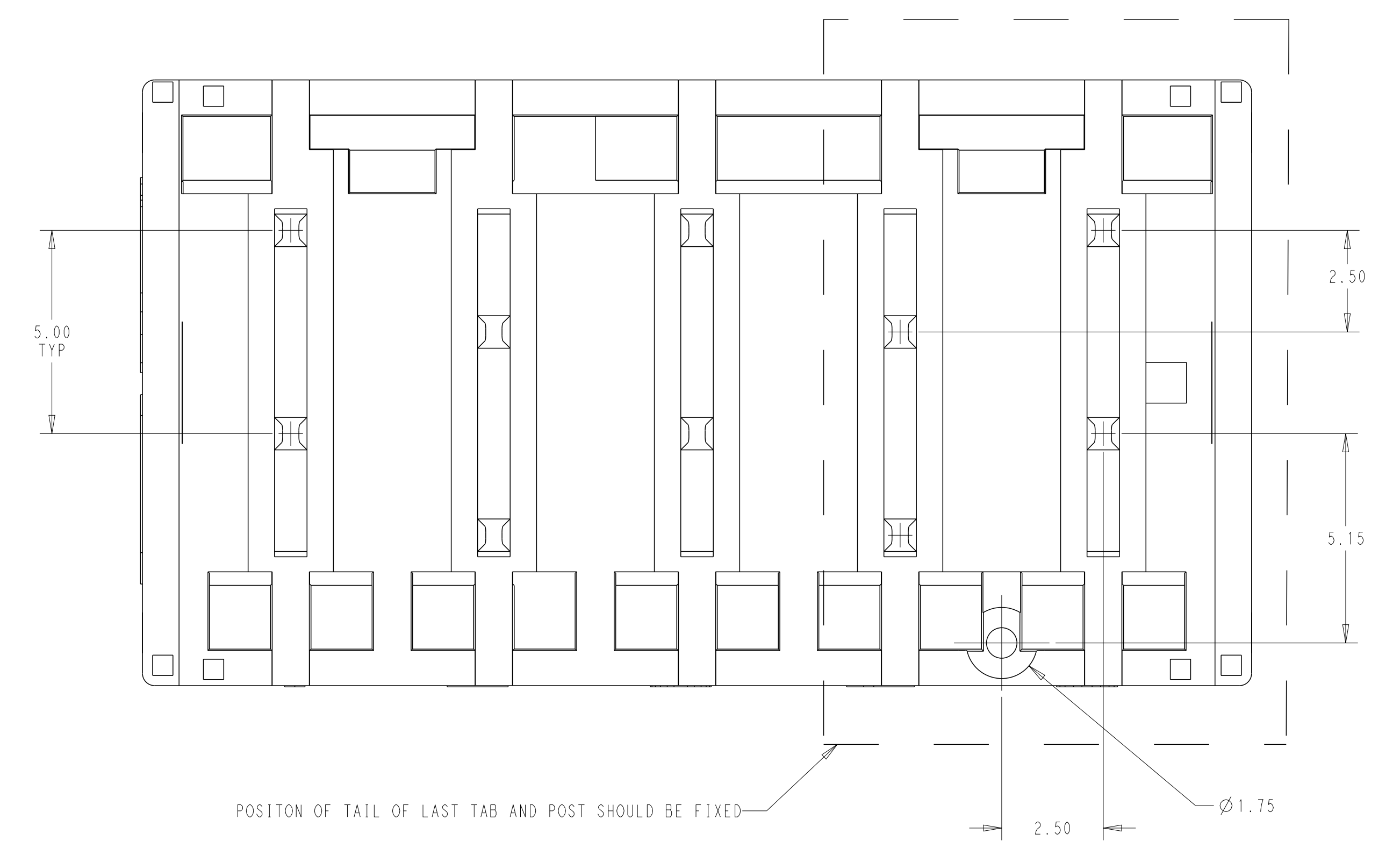
SCALE: 8:1
 SHEET: 1 OF 3
 REV: A2

TE Connectivity
 RAST 5 HEADER ASSY
 DIN STYLE, TH, VERTICAL

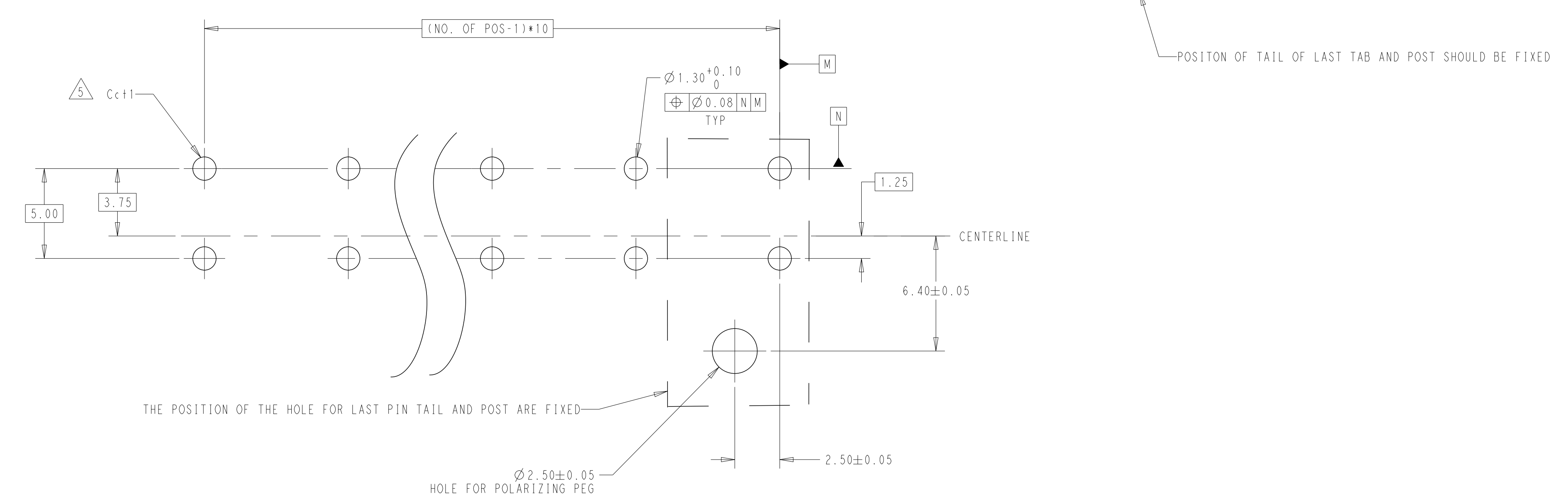
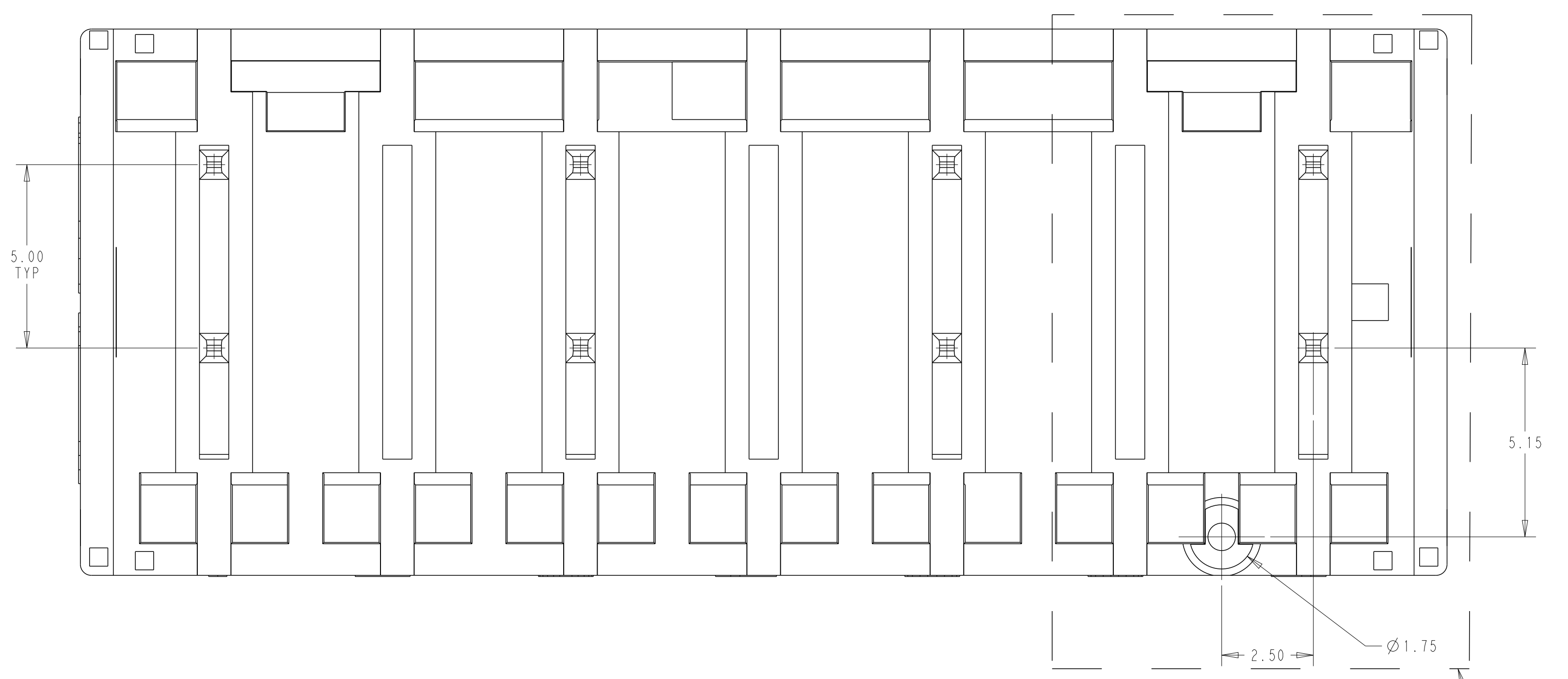
FULLY LOADED

TAB LAYOUT A

REVISIONS			
REV	DATE	BY	APPD
-	-	-	-
-	-	-	-
-	-	-	-
-	-	-	-



SELECTIVE LOADED



LOADED	LAYOUT	Q'TY	PART NO.	HSG PART NO.	DIM B	DIM A	COLOR	NO. OF POS.	BULK PACKAGE	TUBE PACKAGE
FULLY LOADED	1 2 3 4 5 6 7	7		7P, RAST 5 TAB HEADER HSG, THV	37.30	35.30	NATURAL	7	2421362-7	/
	1 2 3 4 5	5		5P, RAST 5 TAB HEADER HSG, THV	27.30	25.30	NATURAL	5	2421362-5	/
	1 2 3 4	4		4P, RAST 5 TAB HEADER HSG, THV	22.30	20.30	NATURAL	4	1-2421362-4	/
	1 2 3 4	4		4P, RAST 5 TAB HEADER CONTACT, THV, W/SILVER PLATING	22.30	20.30	NATURAL	4	2421362-4	2421361-4
	1 2 3	3		3P, RAST 5 TAB HEADER HSG, THV	17.30	15.30	NATURAL	3	2421362-3	/
	1 2	2		2P, RAST 5 TAB HEADER HSG, THV	12.30	10.30	NATURAL	2	1-2421362-2	/
	1 2	2		2P, RAST 5 TAB HEADER HSG, THV	12.30	10.30	NATURAL	2	2421362-2	/
SELECTIVELY LOADED	1 X 3 X 5 X 7	4		7P, RAST 5 TAB HEADER HSG, THV	37.30	35.30	NATURAL	7	2390877-7	/
	1 X 3 X 5	3		5P, RAST 5 TAB HEADER HSG, THV	27.30	25.30	NATURAL	5	2390877-5	/
	1 X 3	2		3P, RAST 5 TAB HEADER HSG, THV	17.30	15.30	NATURAL	3	4-2390877-3	/
FULLY LOADED	1 2 3 4 5	5		5P, RAST 5 TAB HEADER CONTACT, THV, W/TIN PLATING	27.30	25.30	NATURAL	5	/	2392784-5
	1 2 3 4	4		4P, RAST 5 TAB HEADER HSG, THV	22.30	20.30	NATURAL	4	9-2390874-4	/
	1 2	2		2P, RAST 5 TAB HEADER HSG, THV	12.30	10.30	NATURAL	2	/	2-2392784-2
	1 2	2		2P, RAST 5 TAB HEADER HSG, THV	12.30	10.30	NATURAL	2	2390874-2	/

* PCB LAYOUT POSITIONS ARE NOT MATCHING WITH PART POSITION VIEW

THIS DRAWING IS A CONTROLLED DOCUMENT. DATE: 05/10/2021
 CHG: BASVESH WADOD
 APD: ZHANG, LIANG
 LUPU, FEDERICO

DIMENSIONS: (mm)
 0 P/LC: 05.25
 1 P/LC: 05.25
 2 P/LC: 05.25
 3 P/LC: 05.25
 4 P/LC: 05.25

MATERIAL: - FINISH: - ANGLE: - WEIGHT: -

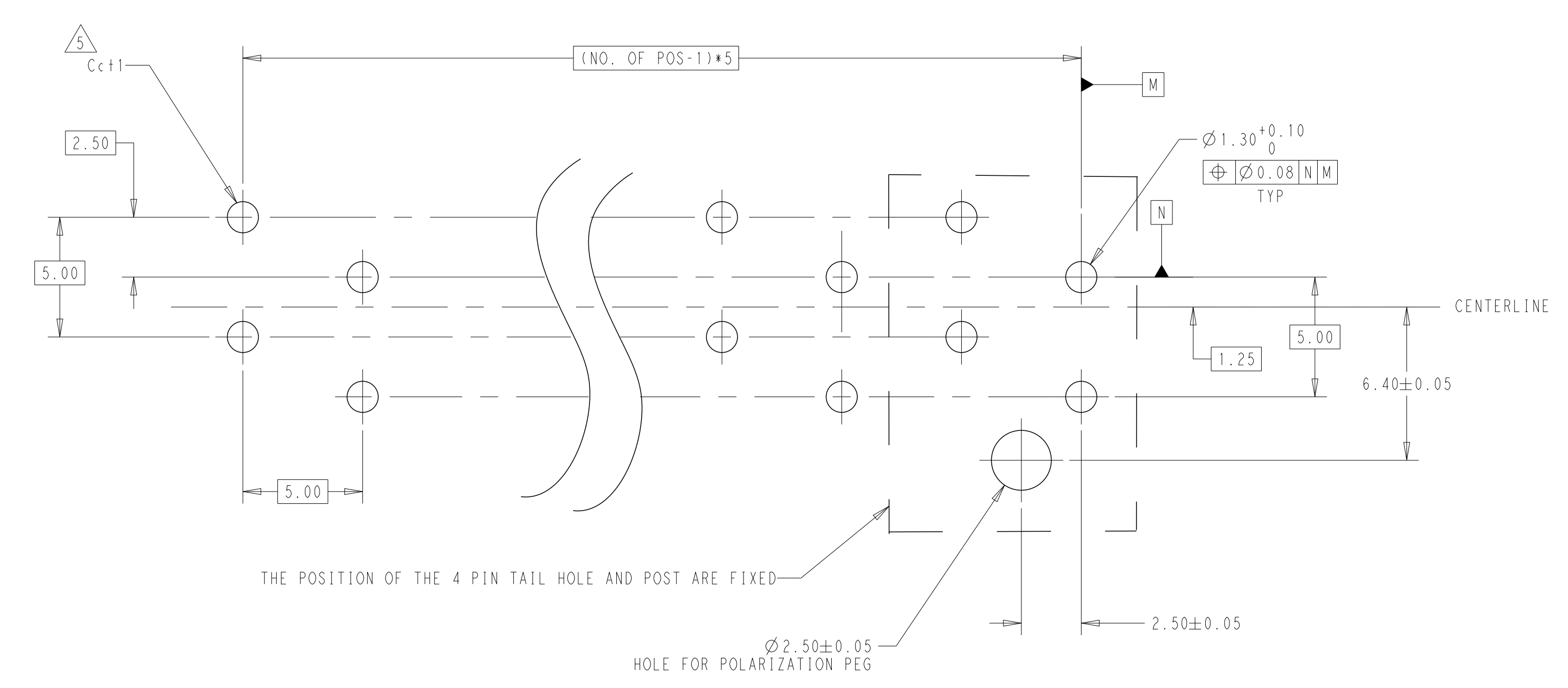
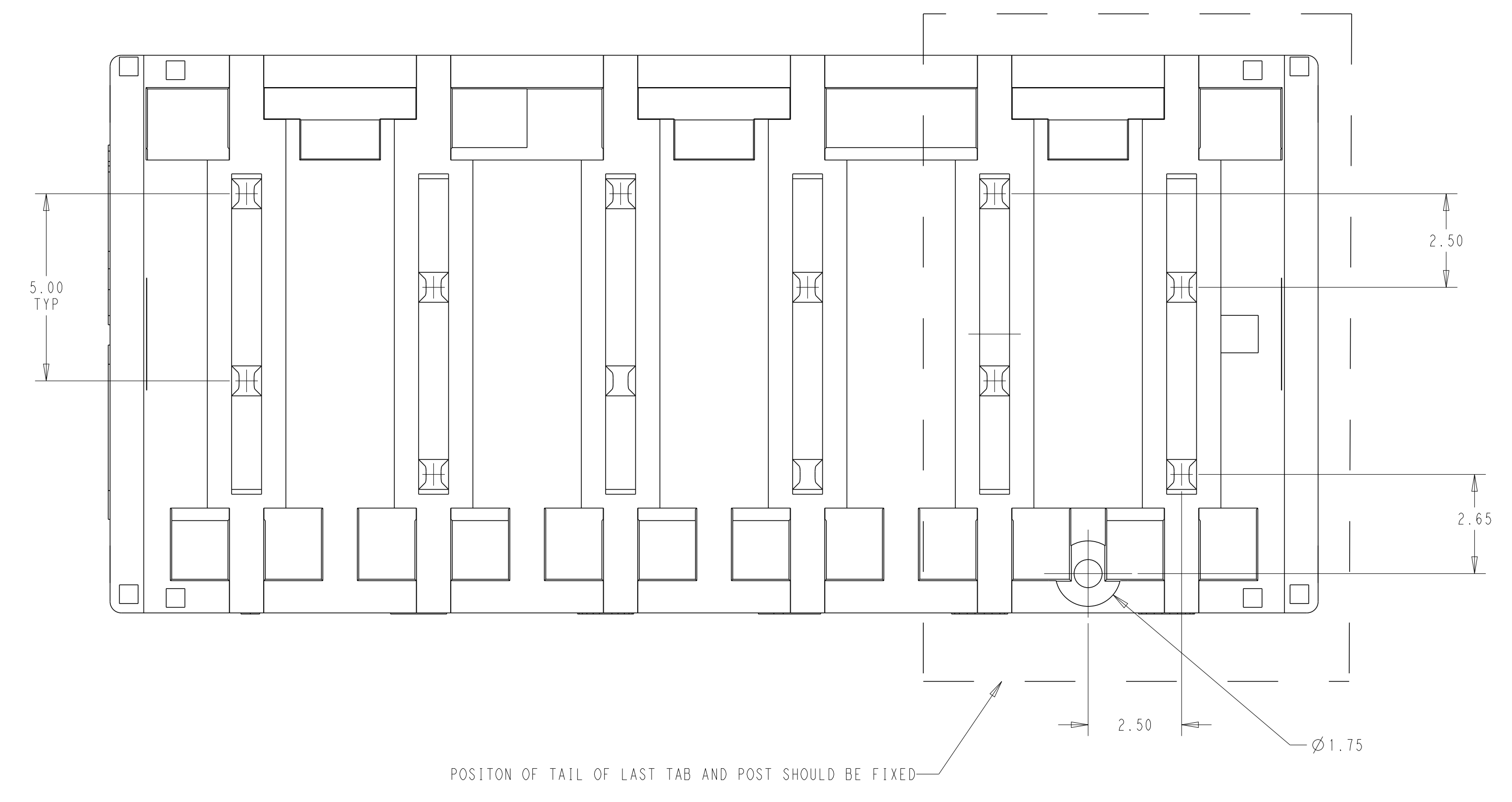
TE Connectivity
 RAST 5 HEADER ASSY
 DIN STYLE, TH, VERTICAL

SCALE: 10:1 SHEET 2 OF 3 REV: A2

REVISIONS			
REV	DATE	BY	APPD
-	-	-	-
-	-	-	-
-	-	-	-

TAB LAYOUT B

FULLY LOADED



* PCB LAYOUT POSITIONS ARE NOT MATCHING WITH PART POSITION VIEW

LOADED	LAYOUT	Q'TY	PART NO. TAB CONTACT	HSG PART NO.	DIM B	DIM A	COLOR	NO. OF POS.	BULK PACKAGE PART NUMBER	TUBE PACKAGE PART NUMBER
FULLY LOADED		6		6P, RAST 5 TAB HEADER HSG, THV	32.30	30.30	NATURAL	6	2421355-6	
		5		5P, RAST 5 TAB HEADER HSG, THV	27.30	25.30	NATURAL	5	2421357-5	
		5		5P, RAST 5 TAB HEADER HSG, THV	27.30	25.30	NATURAL	5	1-2421357-5	1-2421355-5
		3		3P, RAST 5 TAB HEADER HSG, THV	17.30	15.30	NATURAL	3	2421357-3	
		3		3P, RAST 5 TAB HEADER HSG, THV	17.30	15.30	NATURAL	3		1-2421355-3
		2		2P, RAST 5 TAB HEADER HSG, THV	12.30	10.30	NATURAL	2		2421355-2
FULLY LOADED		6		6P, RAST 5 TAB HEADER HSG, THV	32.30	30.30	NATURAL	6		7-2392771-6
		3		3P, RAST 5 TAB HEADER HSG, THV	17.30	15.30	NATURAL	3		2392771-3
		2		2P, RAST 5 TAB HEADER HSG, THV	12.30	10.30	NATURAL	2		2-2390874-2
		2		2P, RAST 5 TAB HEADER HSG, THV	12.30	10.30	NATURAL	2		1-2390874-2
		2		2P, RAST 5 TAB HEADER HSG, THV	12.30	10.30	NATURAL	2		7-2392771-2
		2		2P, RAST 5 TAB HEADER HSG, THV	12.30	10.30	NATURAL	2		2392771-2

THIS DRAWING IS A CONTROLLED DOCUMENT. DATE: 03/10/2021
 CHG: BASVESH WADOD
 CHG: CHANG, LUNBO
 CHG: LUPO, FEDERICO

DIMENSIONS: (mm)
 0 P/LC ±0.25
 1 P/LC ±0.25
 2 P/LC ±0.25
 3 P/LC ±0.25
 4 P/LC ±0.25

MATERIAL: - FINISH: - ANGLE: - WEIGHT: -

TE Connectivity
 RAST 5 HEADER ASSY
 DIN STYLE, TH, VERTICAL

SIZE: A0 CASE CODE: 00779 DRAWING NO: 2390874
 CUSTOMER DRAWING SCALE: 5:1 SHEET 3 OF 3 REV: A2