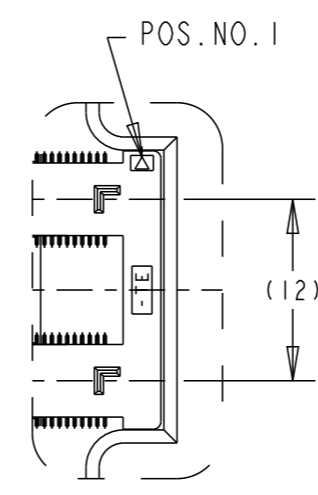
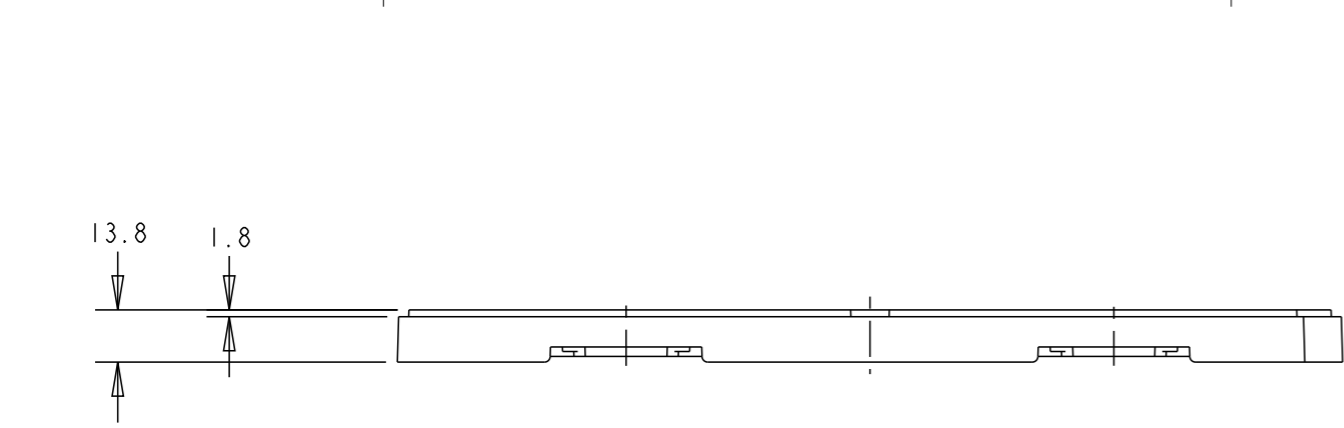
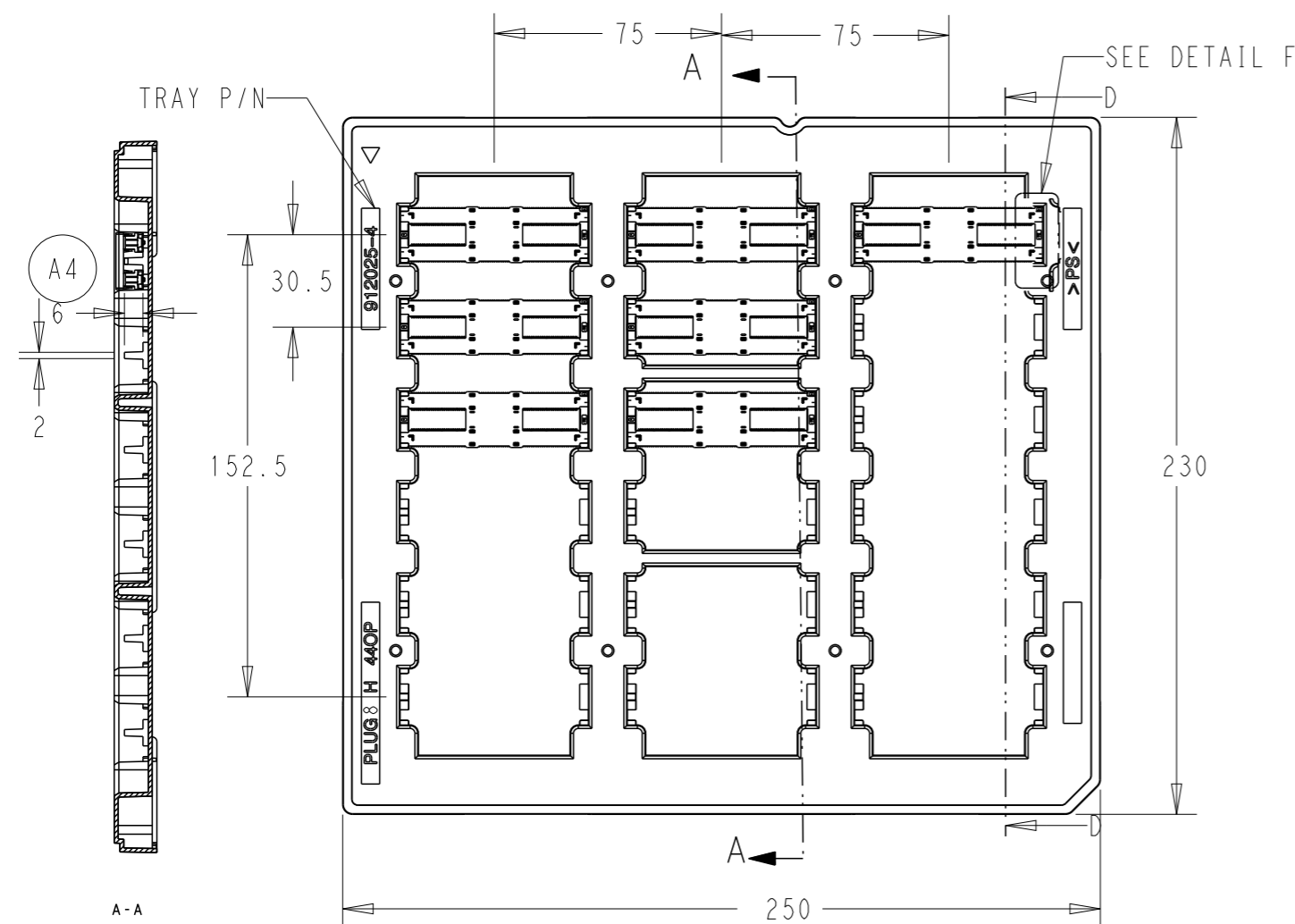
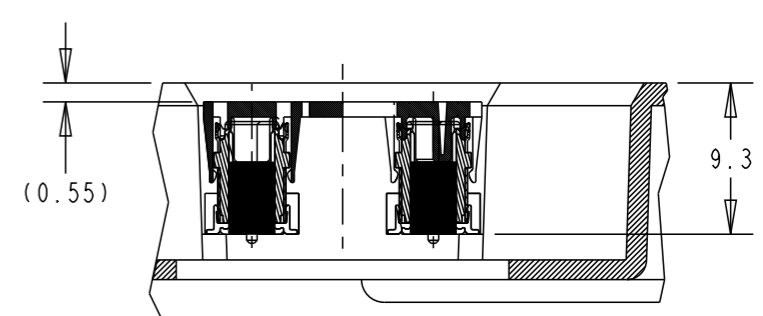


P	LTR	DESCRIPTION	DATE	DWN	APVD
A2		REVISE AS PER ECN-21-104567	25MAY2021	A.L	H.L
A3		REVISE AS PER PCN-22-135638	24AUG2021	M.C	H.L
A4		PER PCN-22-157376	14NOV2022	M.C	H.L
B1		ADD NEW PN	31JAN2023	M.C	H.L



DETAIL F
(SCALE 2:1)



SECT. D-D
(SCALE 2:1)
ROTATED 90° CW

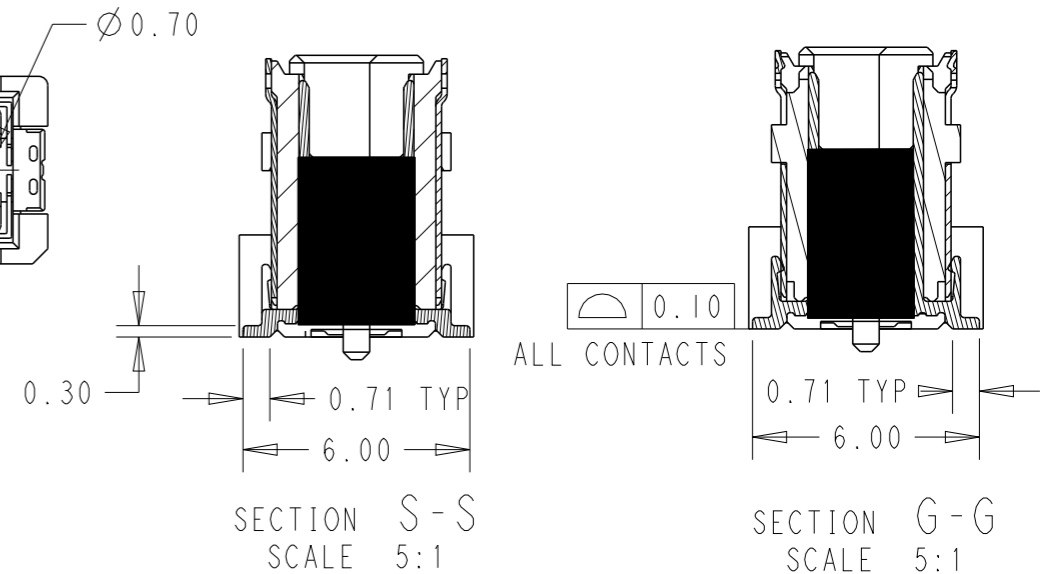
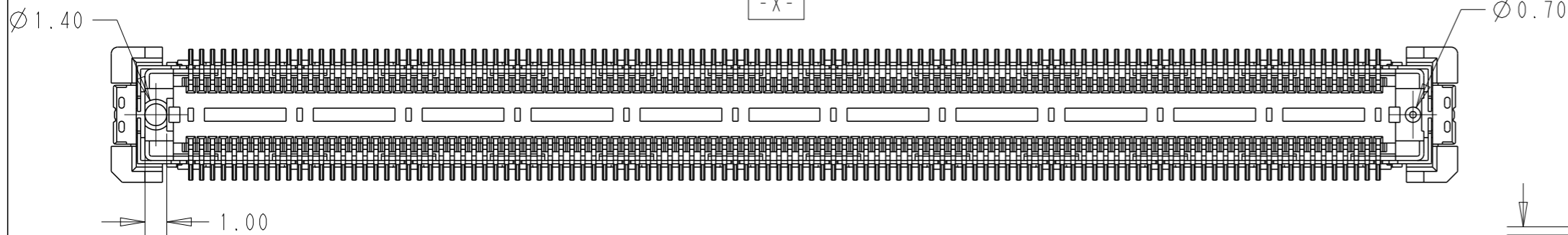
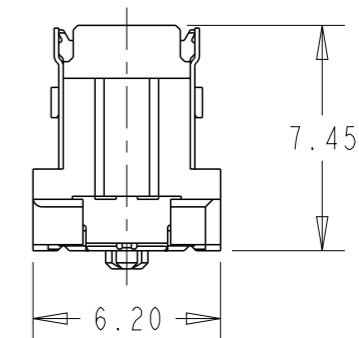
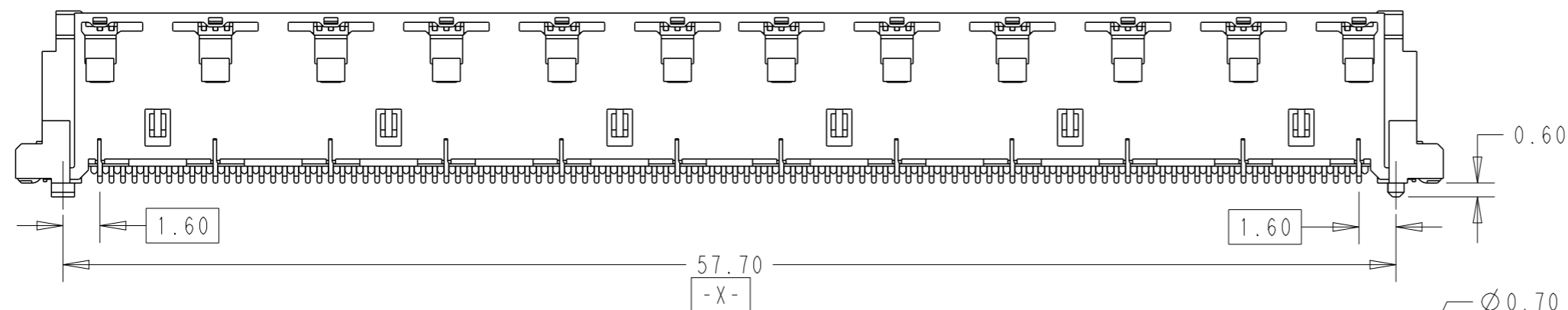
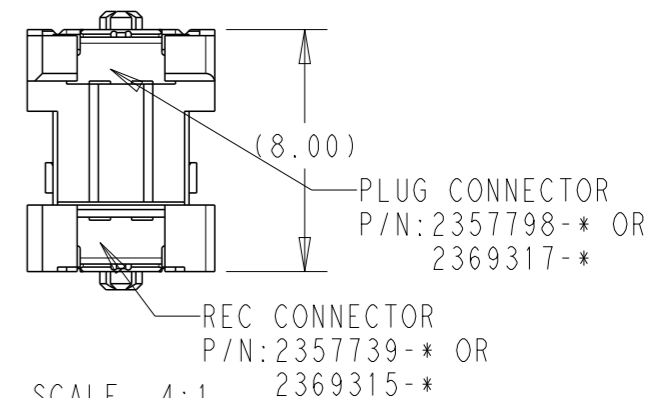
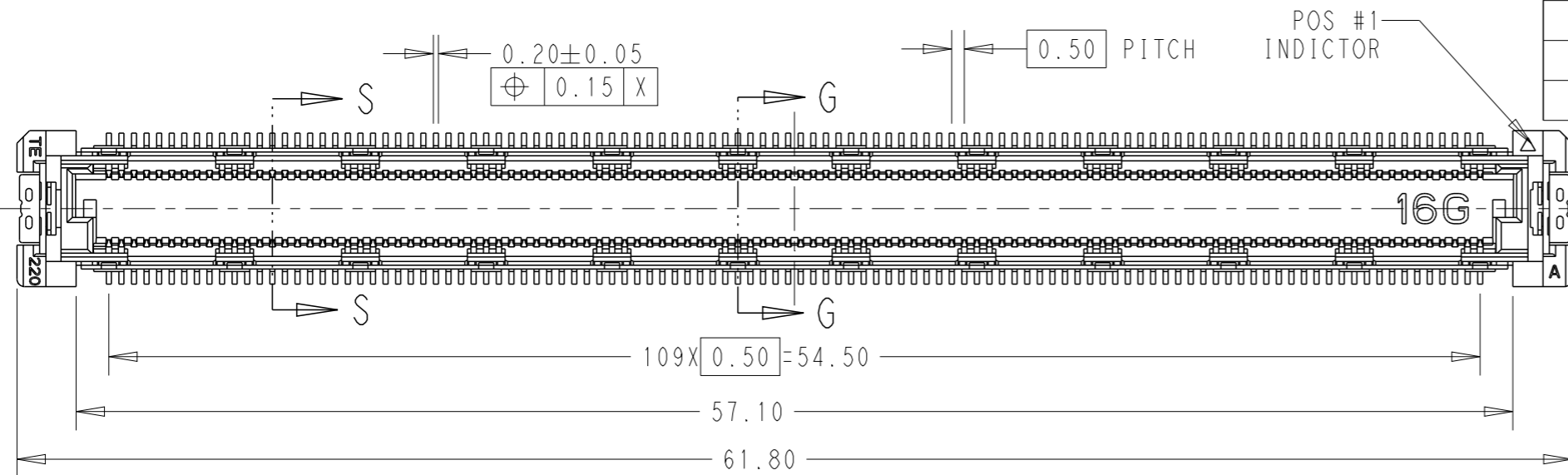
B1

30u"	2369317-2
8u"	2369317-1
MATING ZONE PRECIOUS PLATING THICKNESS	P/N

THIS DRAWING IS A CONTROLLED DOCUMENT.		DWN Art Lin 24FEB2020	TE Connectivity	
DIMENSIONS: mm		CHK Hope Lu 25FEB2020		
TOLERANCES UNLESS OTHERWISE SPECIFIED:		APVD Hope Lu 25FEB2020	NAME 8H PLUG ASSY 440POS	
0 PLC ±0.5		PRODUCT SPEC 108-32658	FH 0.5 BTB 16Gbps	
1 PLC ±0.3		APPLICATION SPEC 114-115003	SIZE A3	CAGE CODE 00779
2 PLC ±0.15		WEIGHT -	DRAWING NO C-2369317	RESTRICTED TO -
3 PLC ±0.050				
4 PLC ±0.0250				
ANGLES ±3				
MATERIAL -	FINISH -	SCALE 1:1 SHEET 1 OF 4 REV B1		
SEE NOTE 1	SEE NOTE 2	CUSTOMER DRAWING		

REVISIONS

P	LTR	DESCRIPTION	DATE	DWN	APVD
-	-	SEE SHEET 1	-	-	-



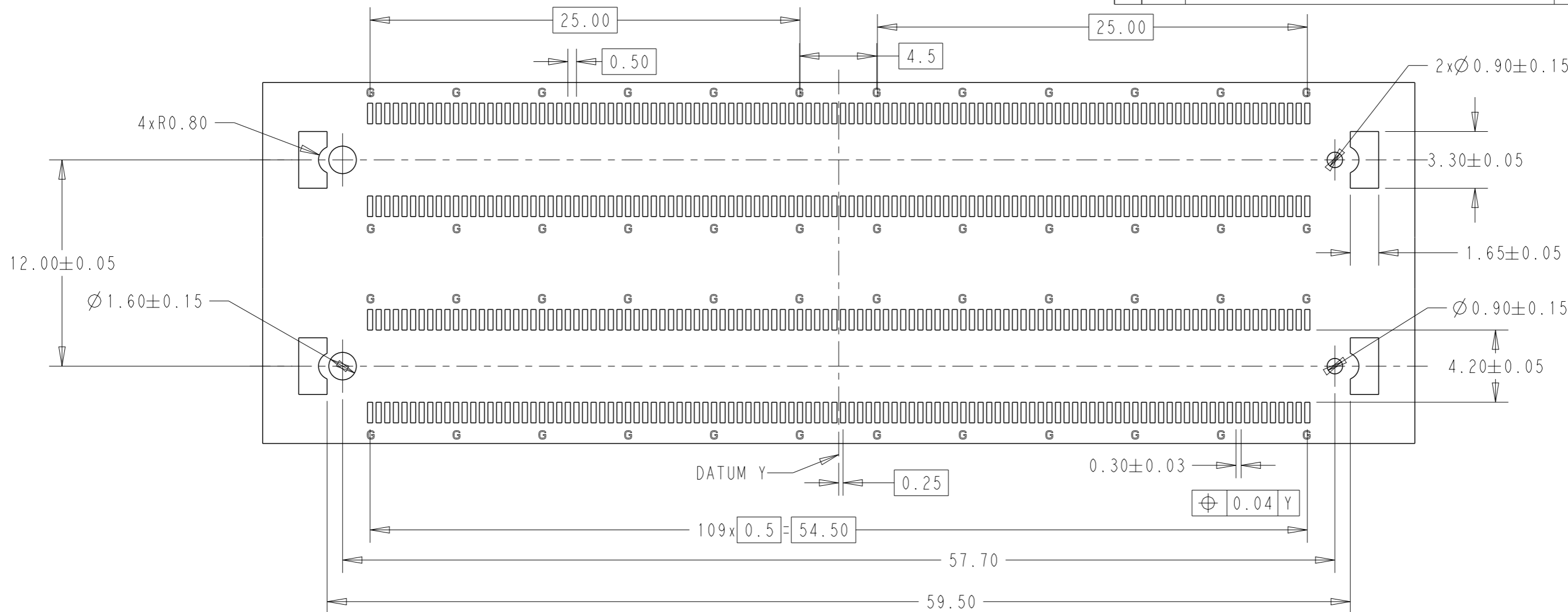
NOTES:

- MATERIAL
HOUSING : HIGH TEMP THERMO PLASTIC UL94V-0
CONTACT : COPPER ALLOY
SOLDER PEG : COPPER ALLOY
GROUND PLATE : COPPER ALLOY
- FINISH
UNDERPLATED : 1.27µm MIN. NICKEL ALL OVER
CONTACT MATING AREA : MEETS THE PERFORMANCE REQUIREMENTS OF TE CONNECTIVITY PRODUCT SPECIFICATION 108-32658.
SOLDER AREA : GOLD FLASH
- CAP COLOR IS BLACK.


THIS DRAWING IS A CONTROLLED DOCUMENT.		DWN	24FEB2020	 TE Connectivity	NAME 8H PLUG ASSY 440POS - FH 0.5 BTB 16Gbps
DIMENSIONS: mm		Art Lin	24FEB2020		
TOLERANCES UNLESS OTHERWISE SPECIFIED:		CHK	25FEB2020		
0 PLC ±0.5 1 PLC ±0.3 2 PLC ±0.15 3 PLC ±0.050 4 PLC ±0.0250 ANGLES ±3		APVD	25FEB2020		
MATERIAL		PRODUCT SPEC	108-32658	SIZE	A3
SEE NOTE 1		FINISH	-	CAGE CODE	00779
SEE NOTE 2		APPLICATION SPEC	114-115003	DRAWING NO	C-2369317
MATERIAL		WEIGHT	-	RESTRICTED TO	-
SEE NOTE 1		CUSTOMER DRAWING	SCALE 1:1	SHEET 3 OF 4	REV B1

REVISIONS

P	LTR	DESCRIPTION	DATE	DWN	APVD
	-	SEE SHEET 1	-	-	-



SCALE 4:1
 REFERENCE P.C. BOARD LAYOUT
 G:Ground

THIS DRAWING IS A CONTROLLED DOCUMENT.		DWN Art Lin	24FEB2020	 TE Connectivity	
DIMENSIONS: mm		CHK Hope Lu	25FEB2020		
TOLERANCES UNLESS OTHERWISE SPECIFIED:		APVD Hope Lu	25FEB2020	NAME 8H PLUG ASSY 440POS	
0 PLC ±0.5 1 PLC ±0.3 2 PLC ±0.15 3 PLC ±0.050 4 PLC ±0.0250 ANGLES ±3		PRODUCT SPEC 108-32658		FH 0.5 BTB 16Gbps	
MATERIAL SEE NOTE 1		APPLICATION SPEC 114-115003		SIZE A3	RESTRICTED TO -
FINISH SEE NOTE 2		WEIGHT -		CAGE CODE 00779	DRAWING NO C-2369317
		CUSTOMER DRAWING		SCALE 1:1	SHEET 4 OF 4
				REV B1	