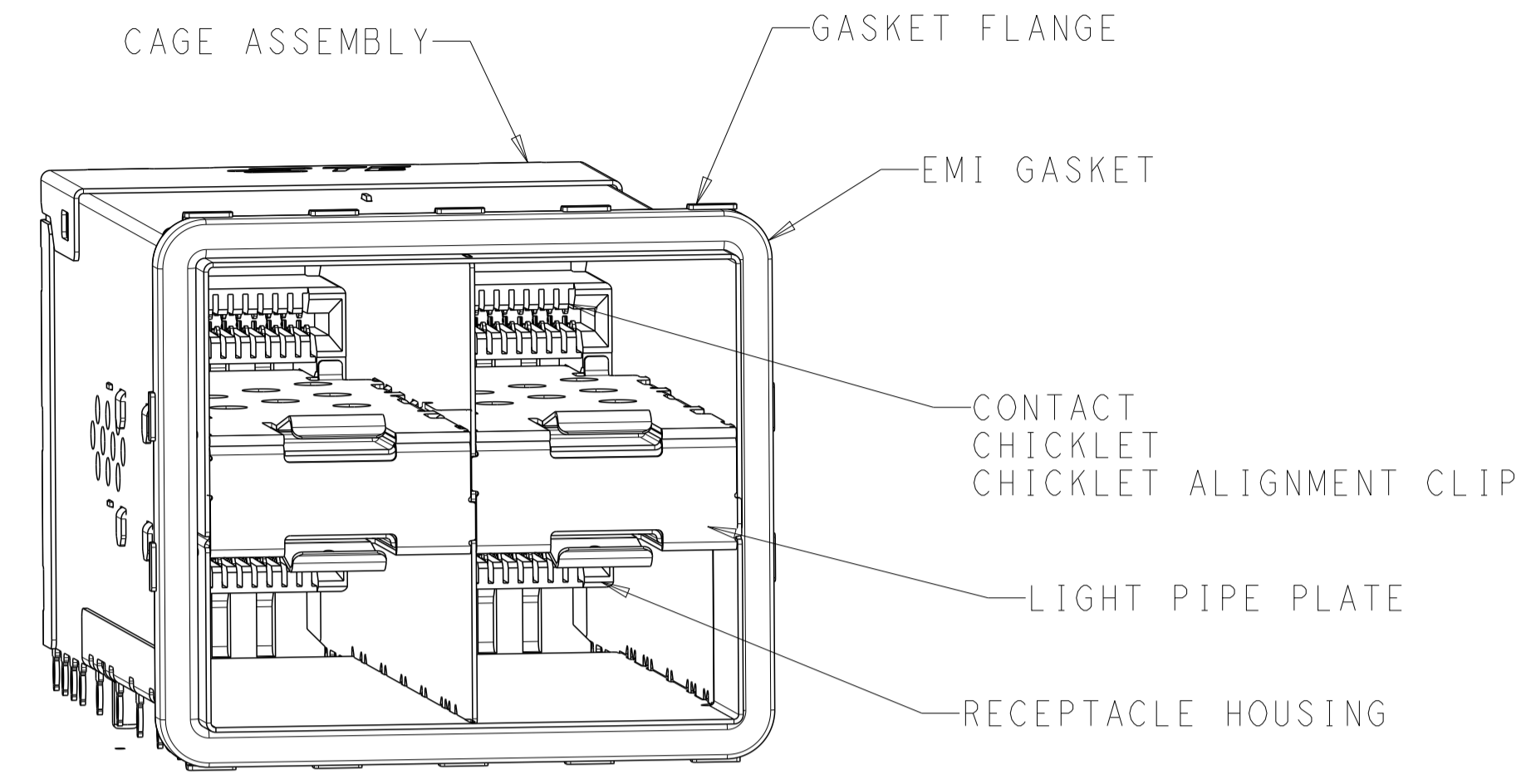
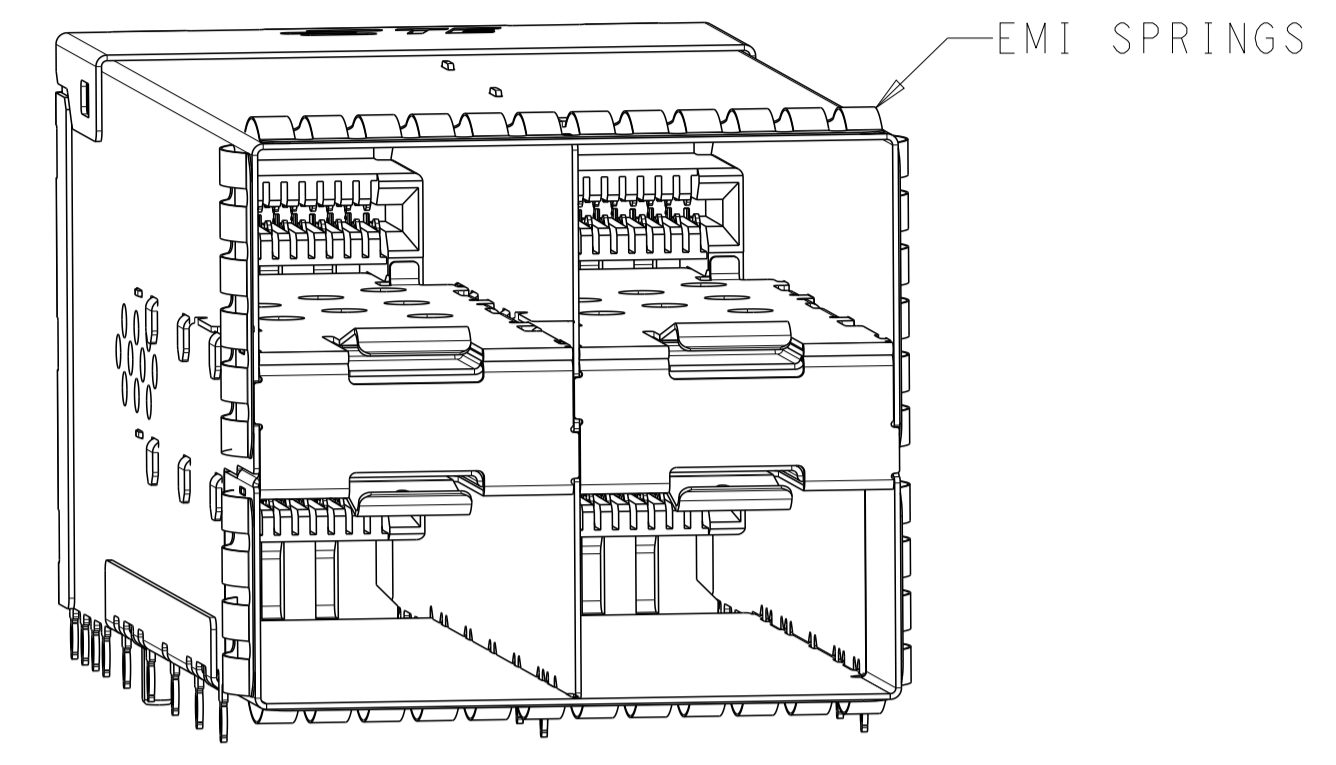


| LOC | DIST | REVISIONS | | | | | |
|-----|------|-----------|-----|-----------------------------------|-----------|-----|------|
| GP | 00 | P | LTN | DESCRIPTION | DATE | OWN | APVD |
| | | E5 | | EMI SPRING UPDATED FOR SOME OF PN | 05JUL2024 | KH | SZ |
| | | E6 | | REVISED PER ECN-25-347898 | 21JUL2025 | TR | SSH |
| | | E7 | | REVISED PER ECN-26-377061 | 04FEB2026 | SSH | WZ |
| | | E8 | | REVISED AS PER ECN-26-384187 | 18MAY2026 | NS | RKS |



2343522-1
SCALE 3:1



2343522-5
SCALE 3:1

- MATERIALS:
 CAGE ASSEMBLY - NICKEL-SILVER ALLOY PER ASTM B 122 OR WITH NICKEL PLATED FOR CUSTOMIZED SPEC
 CONNECTOR HOUSING - LCP, BLACK, UL 94V-0 RATED
 CHICKLET - LCP, BLACK, UL 94V-0 RATED
 CHICKLET ALIGNMENT CLIP - LCP, BLACK, UL 94V-0 RATED
 CONTACT - COPPER ALLOY
 EMI GASKET - ELASTOMERIC
 GASKET FLANGE - STAINLESS STEEL
 EMI SPRINGS - PHOSPHOR BRONZE PER ASTM B 103, 0.8µm MIN TIN PER ASTM B 545
 LIGHT PIPE - POLYCARBONATE
 LIGHT PIPE PLATE - STAINLESS STEEL

- CONTACT FINISH:
 0.76µm MIN GOLD PER ASTM B 844 AT MATING INTERFACE,
 1.25µm MIN MATTE TIN PER ASTM B 545 AT PCB INTERFACE
 ALLOVER 2.54µm MIN NICKEL PER QQ-N-290.

- PCB MINIMUM THICKNESS = 1.5mm

△ FOR HOLE SIZE AND PLATINGS, SEE APPLICATION SPECIFICATION 114-13319

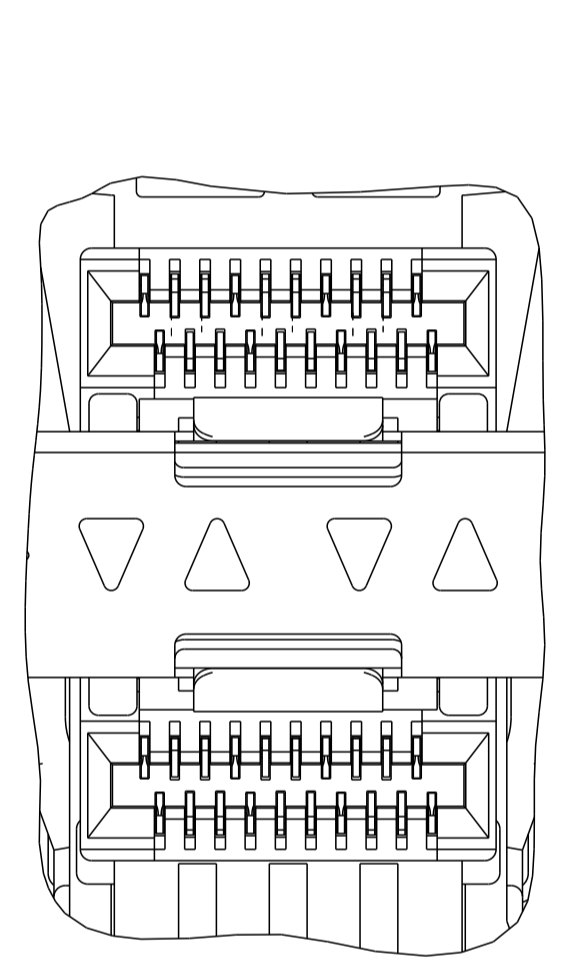
△ LIGHT PIPE PAD LAYOUT IS FOR 0805 LOW PROFILE LED PACKAGE WITH A HEIGHT OF 0.8mm

△ DIMENSIONS APPLY FOR EMI SPRINGS ONLY

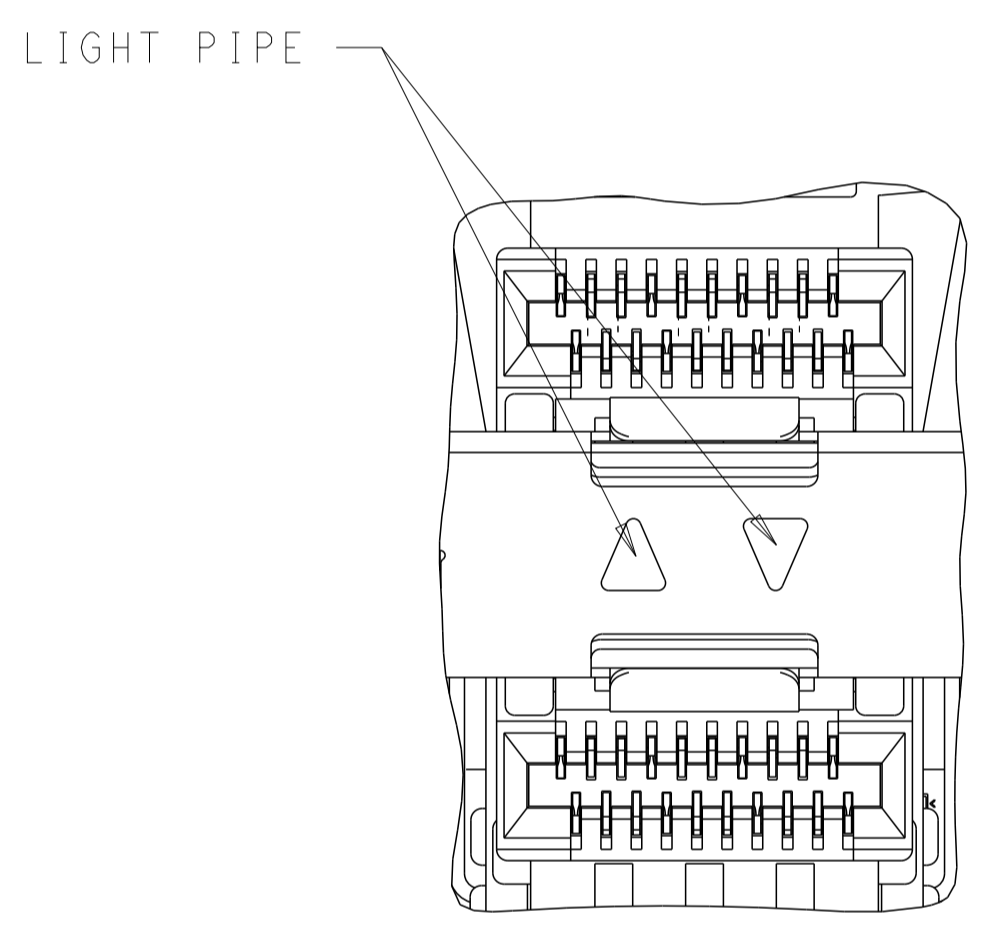
△ THE ENTIRE AREA OF THE CONNECTOR FOOTPRINT, INDICATED BY THE DASHED LINE, TO BE CONSIDERED THE KEEPOUT AREA FOR COMPONENTS AND SIGNAL TRACES, TOP SIDE ONLY, TOP SIDE TRACES ALLOWED WITHIN CONNECTOR HOLE PATTERN

△ LOW Br/Ci AS DEFINED IN TEC-138-702.

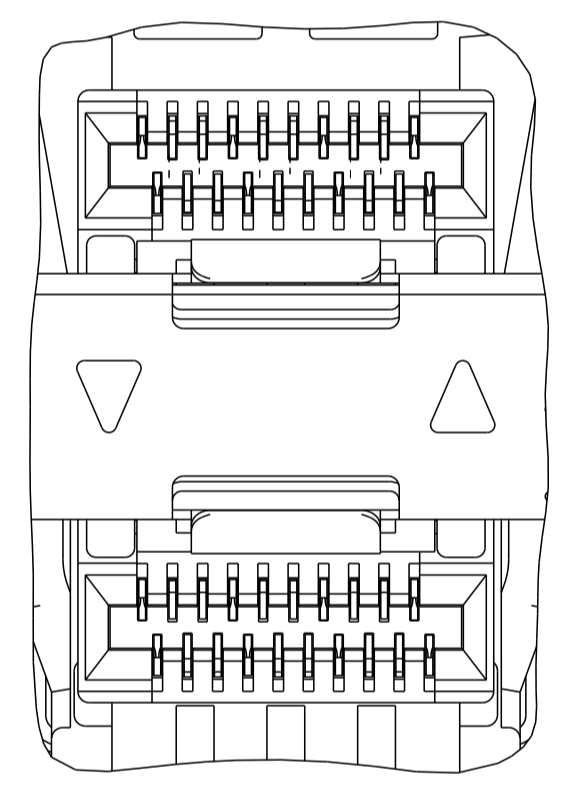
△ LIGHT PIPE COATED VERSION



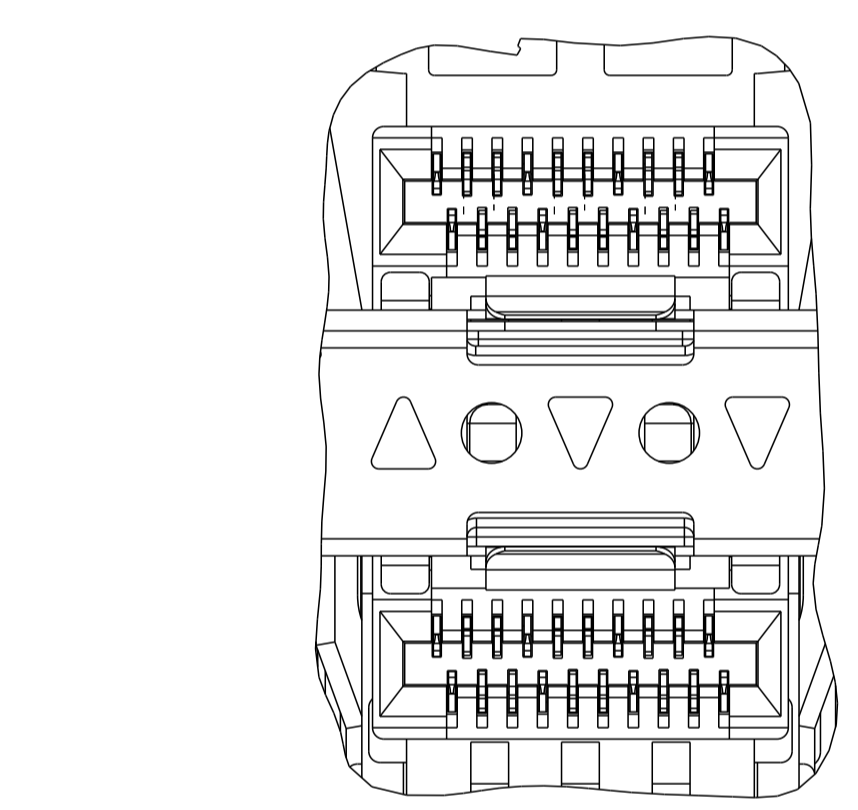
INNER/OUTER LIGHT PIPES
2343522-2, 2343522-6, 5-2343522-6
SCALE 5:1



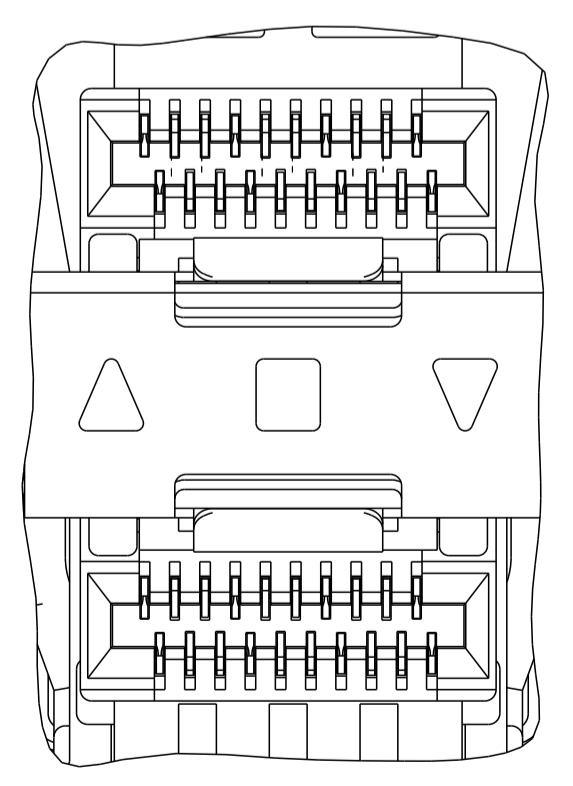
INNER LIGHT PIPES
2343522-3, 2343522-7
SCALE 5:1



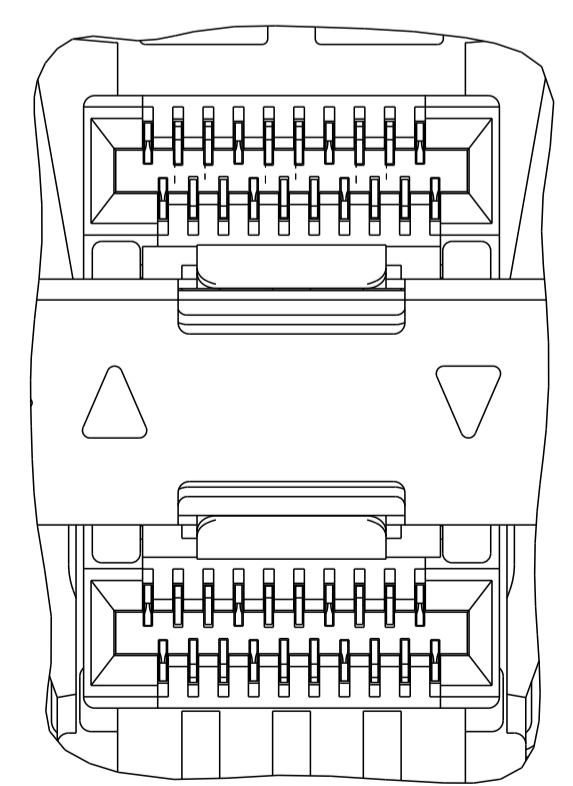
OUTER LIGHT PIPES
2343522-4, 2343522-8, 5-2343522-8
SCALE 5:1



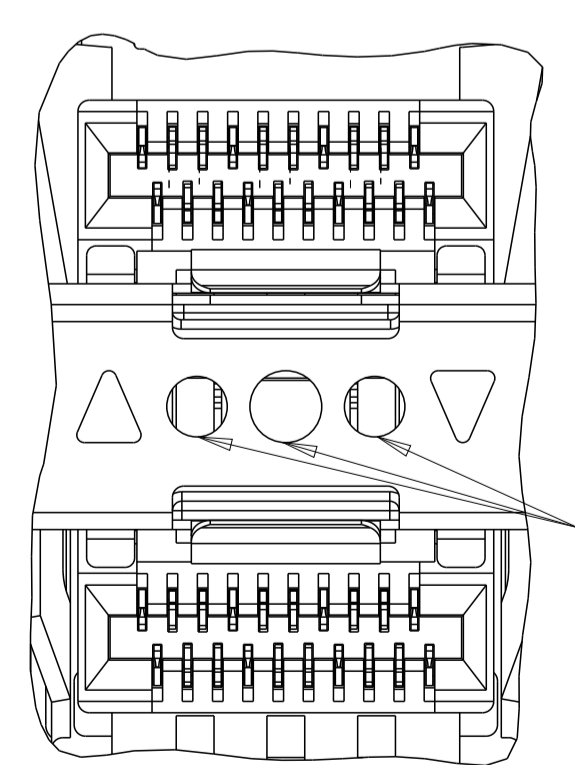
REVERSED OUTER LIGHT PIPES/
MIDDLE DOWN WITH
VENT HOLES
WITH INSULATION TAPE ON BOTTOM
2-2343522-1
SCALE 5:1



CENTER/REVERSED OUTER LIGHT PIPES
1-2343522-7, 1-2343522-9
SCALE 5:1



REVERSED OUTER LIGHT PIPES
1-2343522-8, 2-2343522-0
SCALE 5:1



REVERSED OUTER LIGHT PIPE
5-2343522-9
SCALE 5:1

| | | | |
|-------|-------------------------------------|---|----------------|
| 31 | EMI SPRINGS W/ INSULATION TAPE | REVERSED OUTER | 5-2343522-9 |
| 31 | EMI SPRINGS AND CAGE W Ni PLATED | OUTER | 5-2343522-8 △ |
| 31 | EMI SPRINGS AND CAGE W Ni PLATED | INNER/OUTER | 5-2343522-6 △ |
| 31 | EMI SPRINGS AND CAGE W Ni PLATED | REVERSED OUTER | 5-2343522-3 |
| 31 | EMI SPRINGS W Ni PLATED | REVERSED OUTER | 4-2343522-4 |
| 31 | EMI SPRINGS W Ni PLATED | REVERSED OUTER | 4-2343522-3 △ |
| 31 | EMI SPRINGS | CENTER/REVERSED OUTER | 3-2343522-4 |
| 31 | EMI SPRINGS | REVERSED OUTER | 3-2343522-3 |
| 31 | EMI SPRINGS W/H INSULATION TAPE | REVERSED OUTER/MIDDLE DOWN WITH VENT HOLES | 2-2343522-1 |
| | | REVERSED OUTER | 2-2343522-0 |
| | | CENTER/REVERSED OUTER | 1-2343522-9 |
| 33.75 | EMI GASKET | REVERSED OUTER | 1-2343522-8 |
| | | CENTER/REVERSED OUTER | 1-2343522-7 |
| | | OUTER | 2343522-8 |
| 31 | EMI SPRINGS | INNER | 2343522-7 |
| | | INNER/OUTER | 2343522-6 |
| | | NONE | 2343522-5 |
| 33.75 | EMI GASKET | OUTER | 2343522-4 |
| | | INNER | 2343522-3 |
| | | INNER/OUTER | 2343522-2 |
| (E) | CAGE TYPE | NONE | 2343522-1 |
| | | LIGHT PIPE CONFIGURATION | PART NUMBER |

THIS DRAWING IS A CONTROLLED DOCUMENT. DWN: LEO LI 04SEP2018
 CHK: SEAN HAN 04SEP2018
 APVD: SEAN HAN 04SEP2018

TE Connectivity

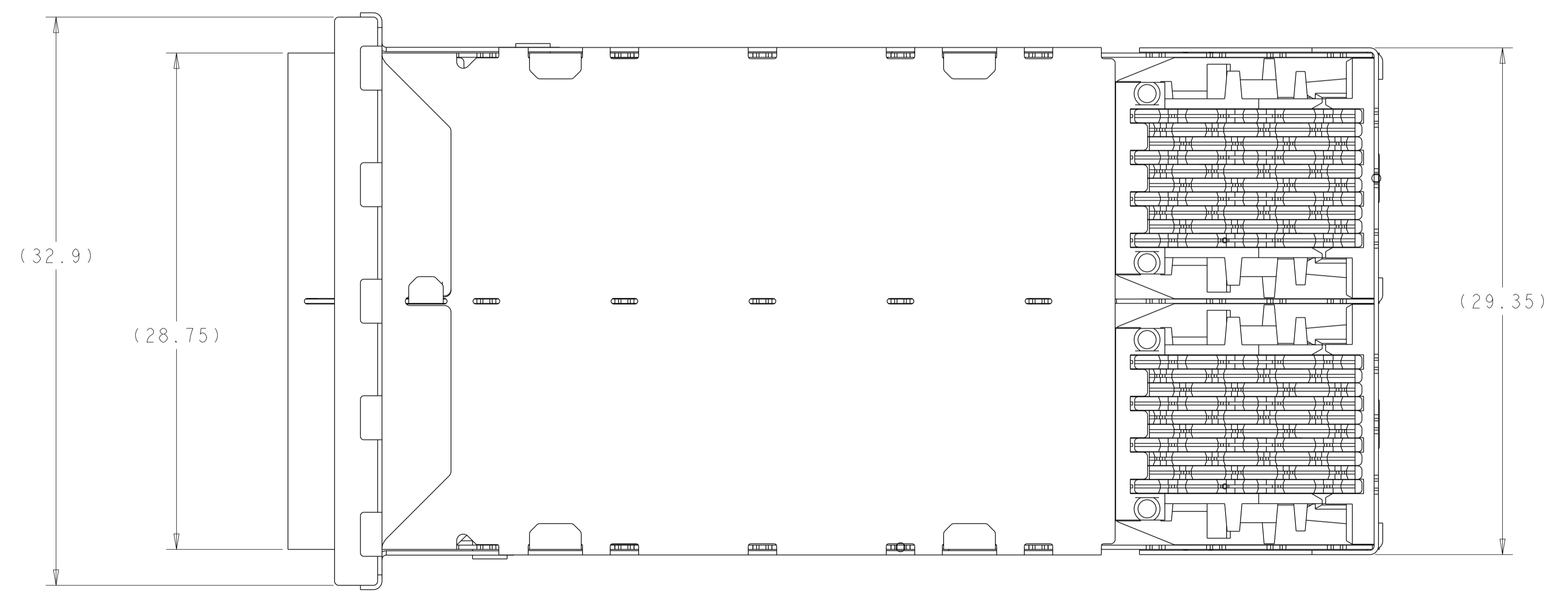
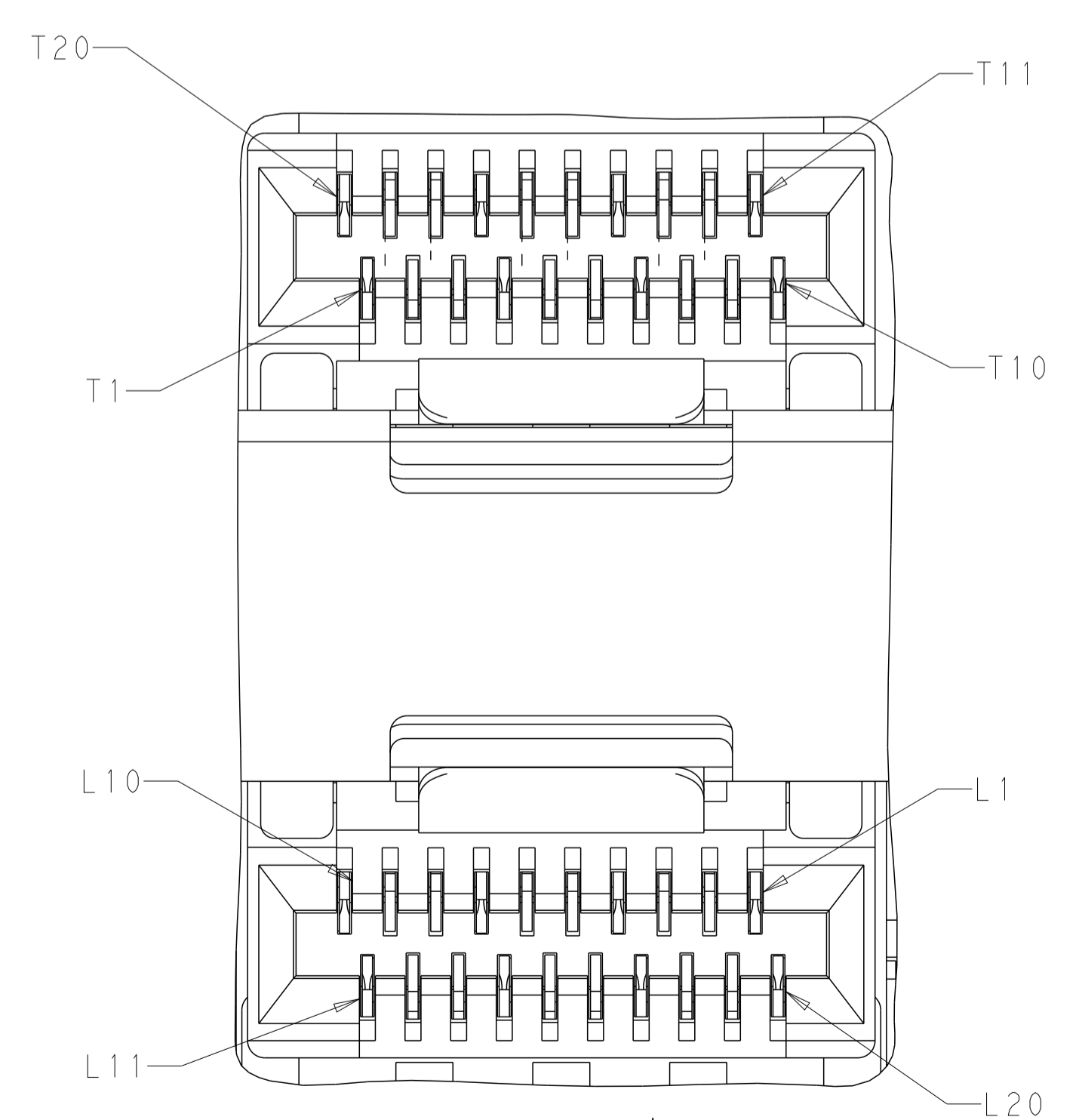
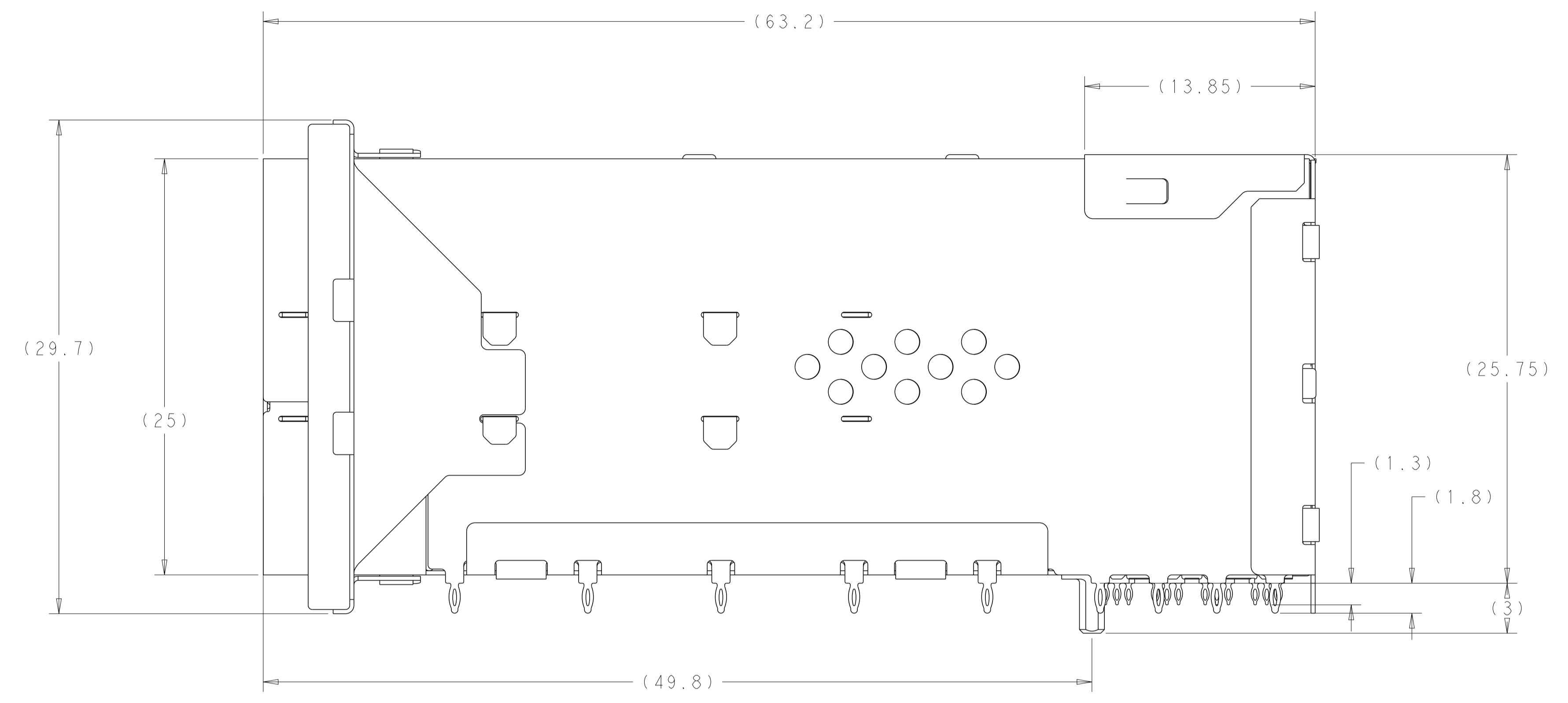
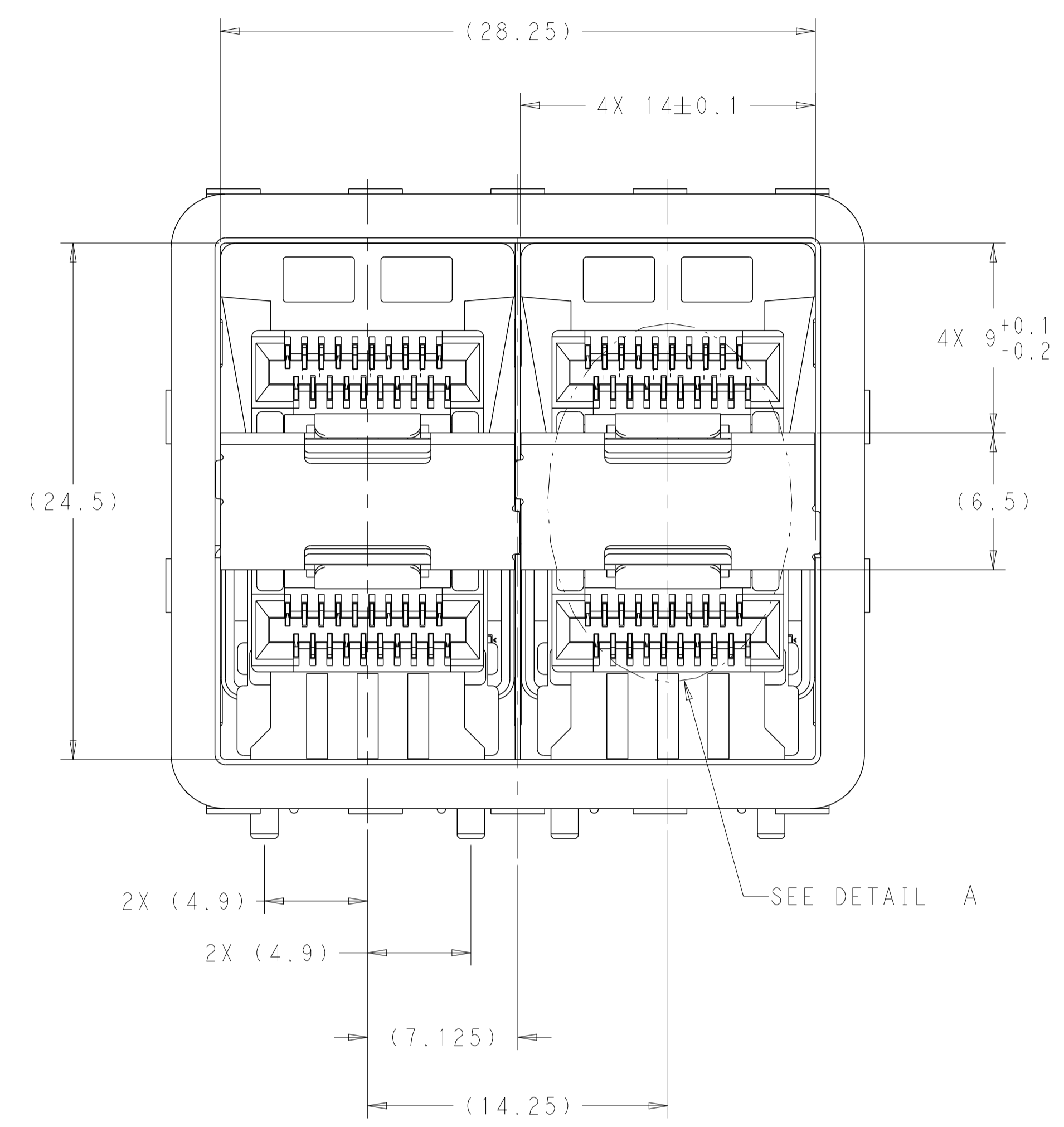
RECEPTACLE ASSEMBLY, 2X2, STACKED, SFP56

SIZE: A1 CAGE CODE: 100779 DRAWING NO: 2343522

RESTRICTED TO: 1 OF 8 SHEET REV: E8

SCALE: 4:1

| LOC | | DIST | | REVISIONS | | | |
|-----|-----|-------------|------|-----------|------|--|--|
| P | LTN | DESCRIPTION | DATE | OWN | APVD | | |
| - | - | SEE SHEET 1 | - | - | - | | |

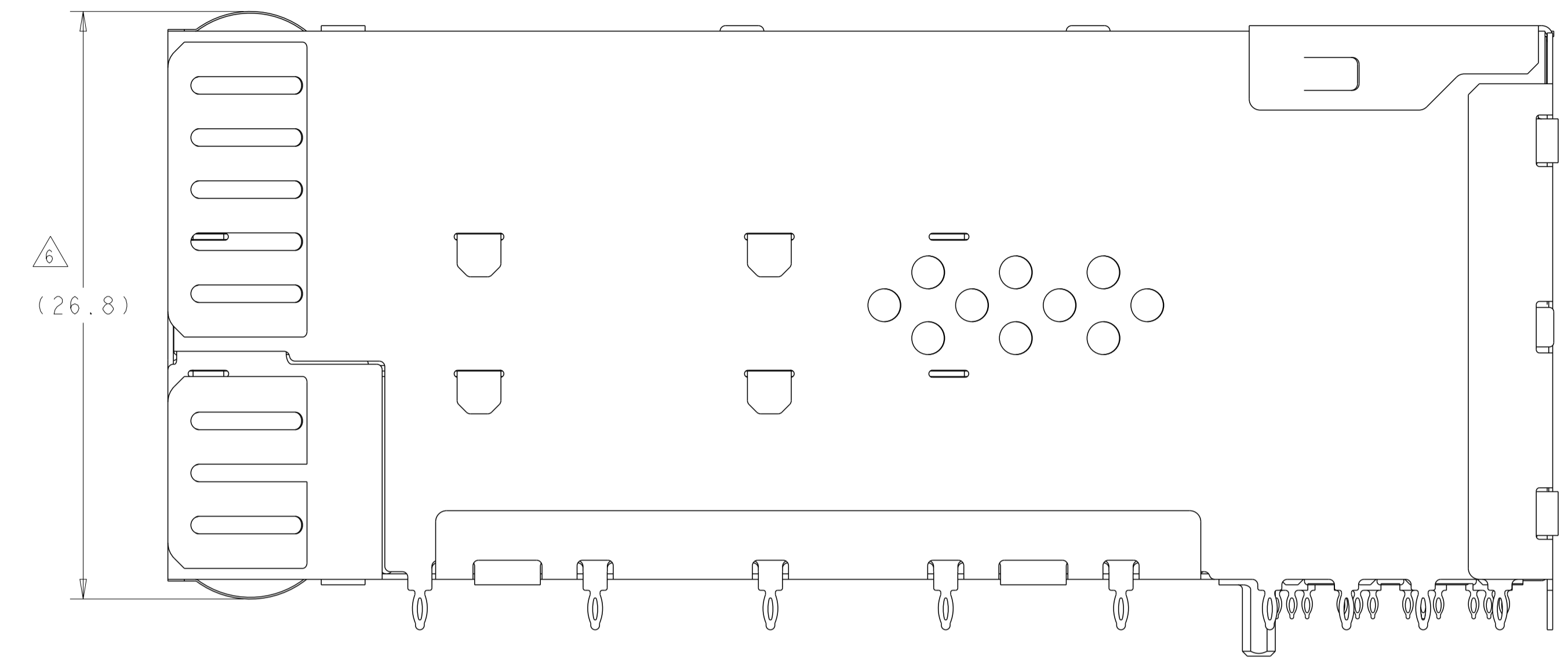
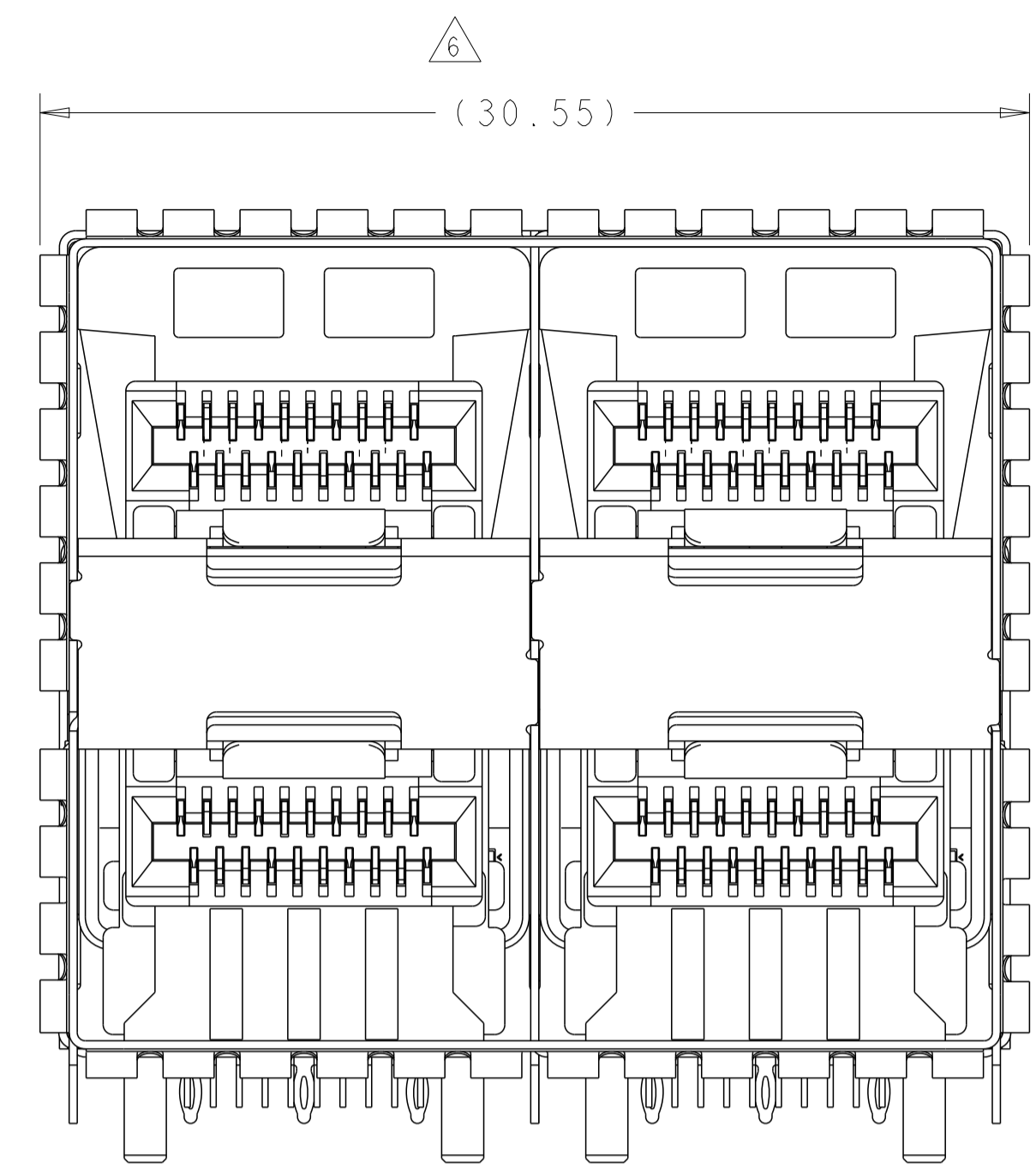


THIS DRAWING IS A CONTROLLED DOCUMENT.

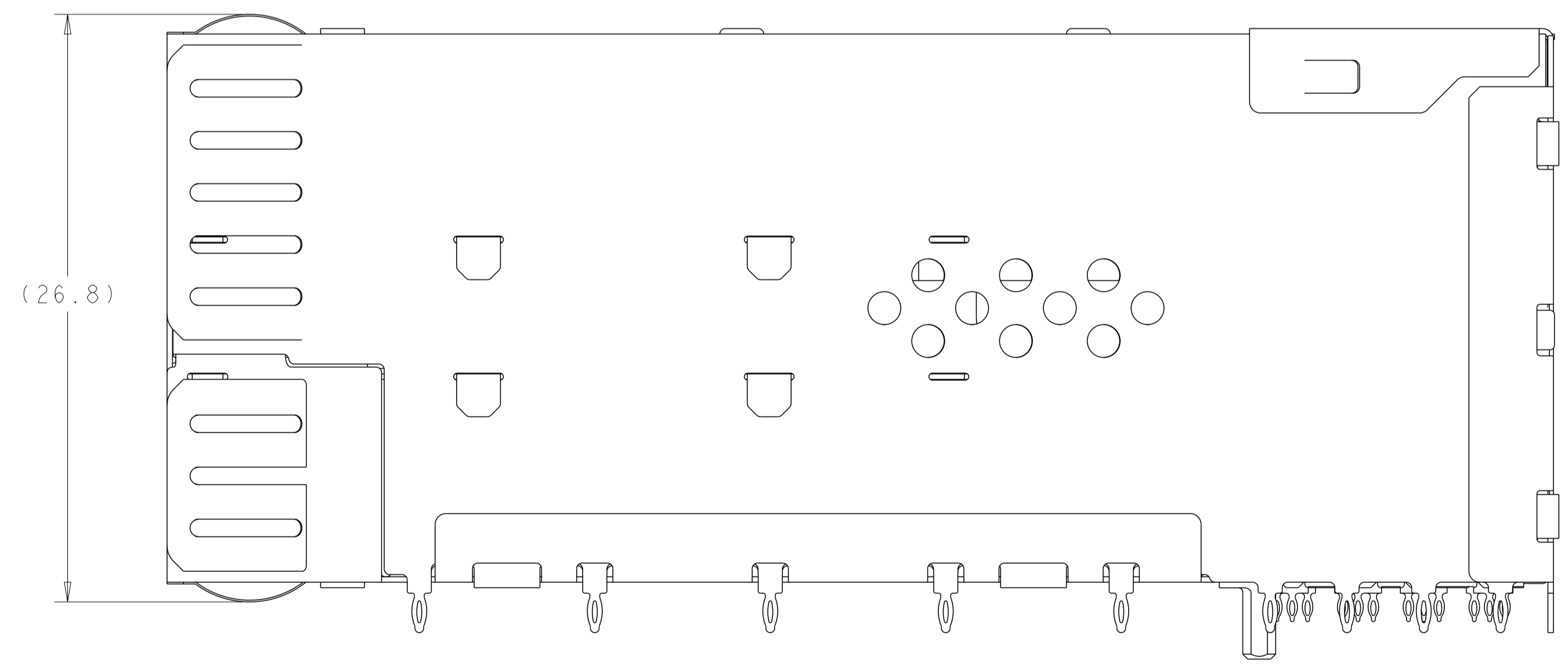
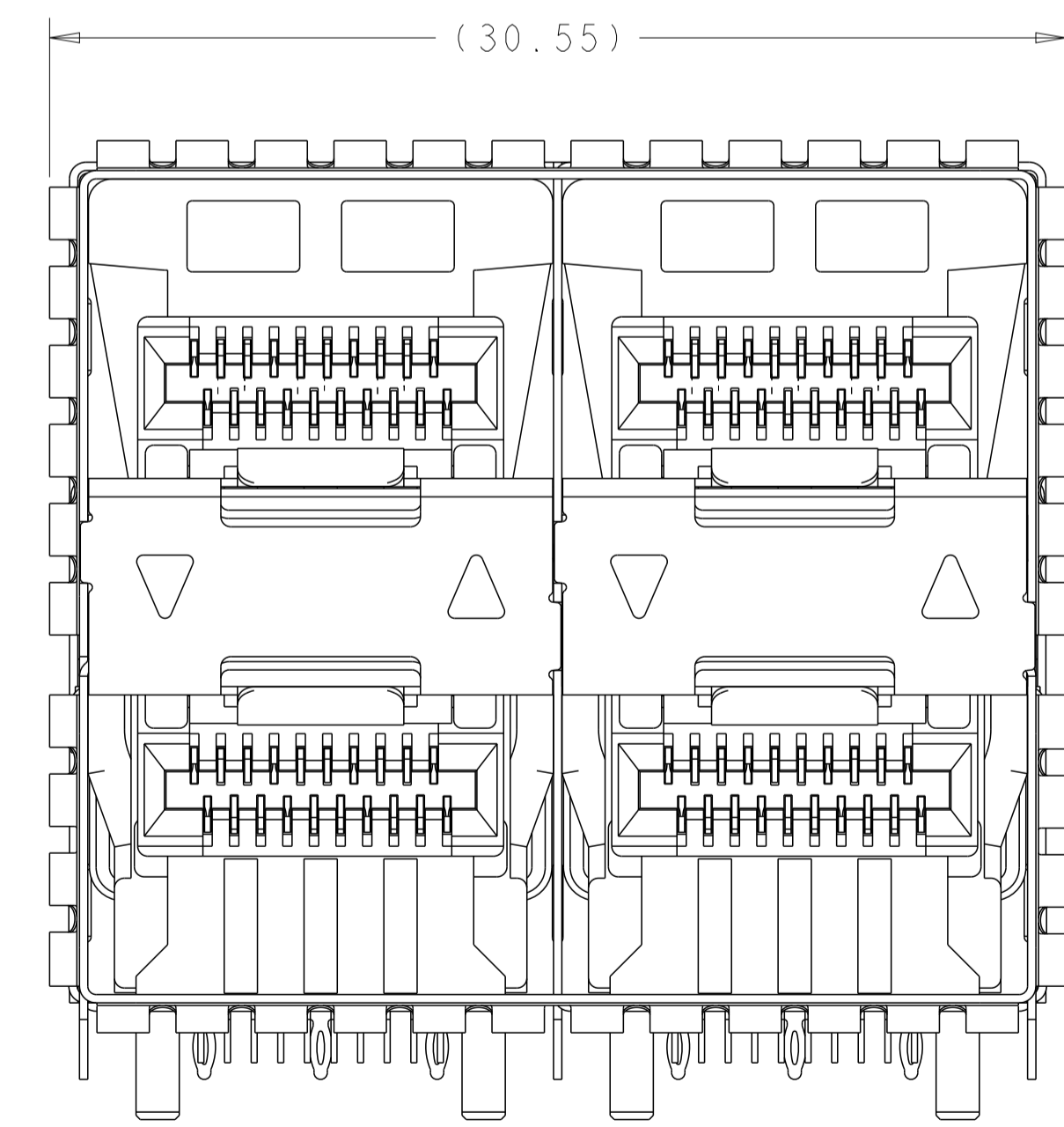
| | | | | | |
|---------------------|--|------------------------|-----------------------------|--------------------------|--|
| DIMENSIONS: | TOLERANCES UNLESS OTHERWISE SPECIFIED: | OWN: LEO LI 04SEP2018 | CHK: SEAN HAN 04SEP2018 | APVD: SEAN HAN 04SEP2018 | NAME: RECEPTACLE ASSEMBLY, 2X2, STACKED, SFP56 |
| mm | 0 PLC ±0.25 1 PLC ±0.25 2 PLC ±0.25 3 PLC ±0.25 4 PLC ±0.25 ANGLES ±° | PRODUCT SPEC: 108-2481 | APPLICATION SPEC: 114-13319 | SIZE: A1 | RESTRICTED TO: - |
| MATERIAL: SEE NOTES | FINISH: SEE NOTES | WEIGHT: - | CAGE CODE: - | DRAWING NO: 2343522 | SCALE: 5:1 |
| | | CUSTOMER DRAWING | | SHEET 2 OF 8 | REV: E8 |

4805 (3/11)

| LOC | DIST | REVISIONS | | | |
|-----|------|-------------|------|-----|------|
| P | LYR | DESCRIPTION | DATE | OWN | APVD |
| GP | 00 | SEE SHEET 1 | - | - | - |
| | | | | | |
| | | | | | |



2343522-5 THRU 2343522-8, 1-2343522-9, 2-2343522-0,
 5-2343522-6
 EMI SPRINGS ONLY
 SCALE 5:1

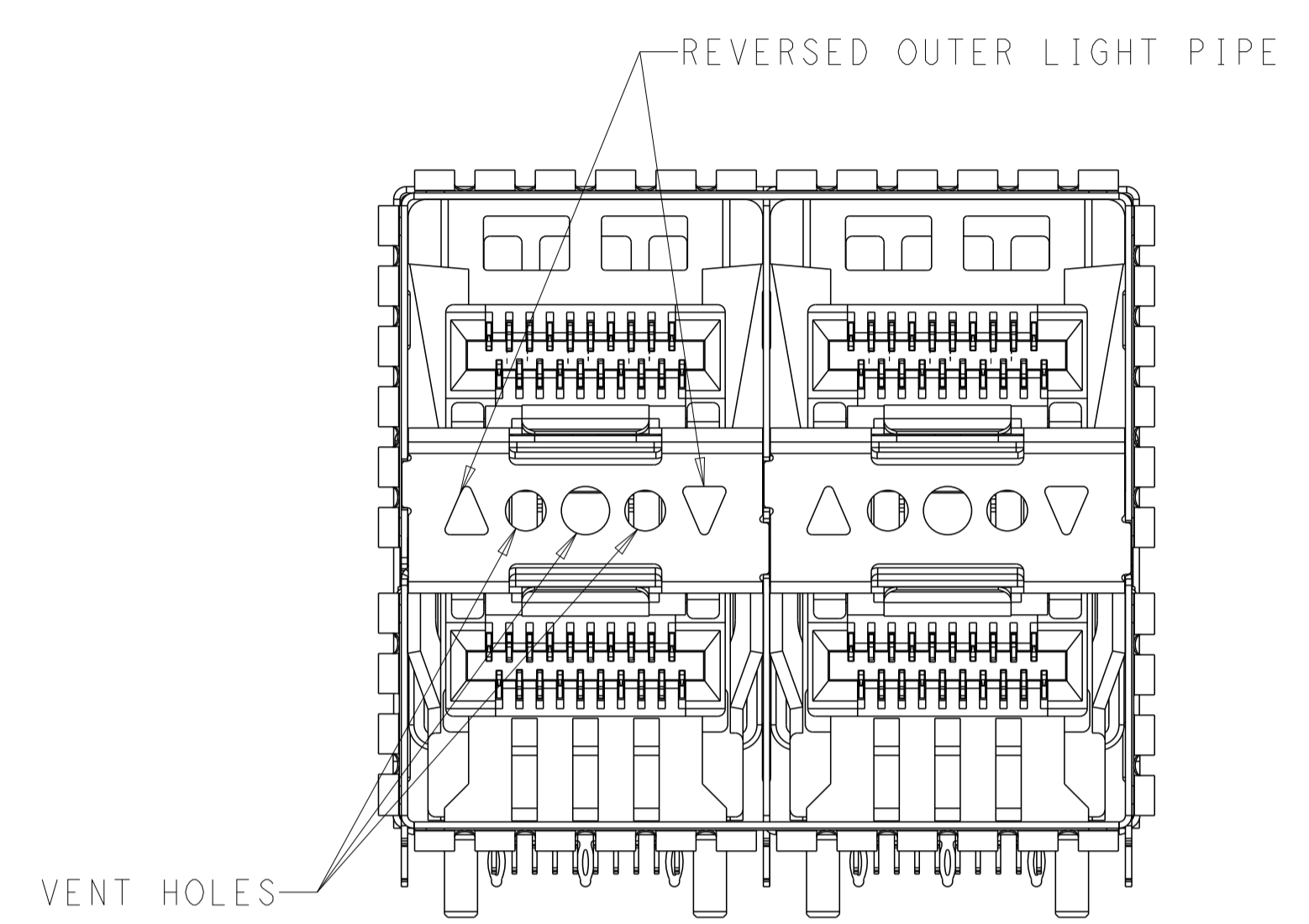


5-2343522-3
 EMI SPRINGS ONLY

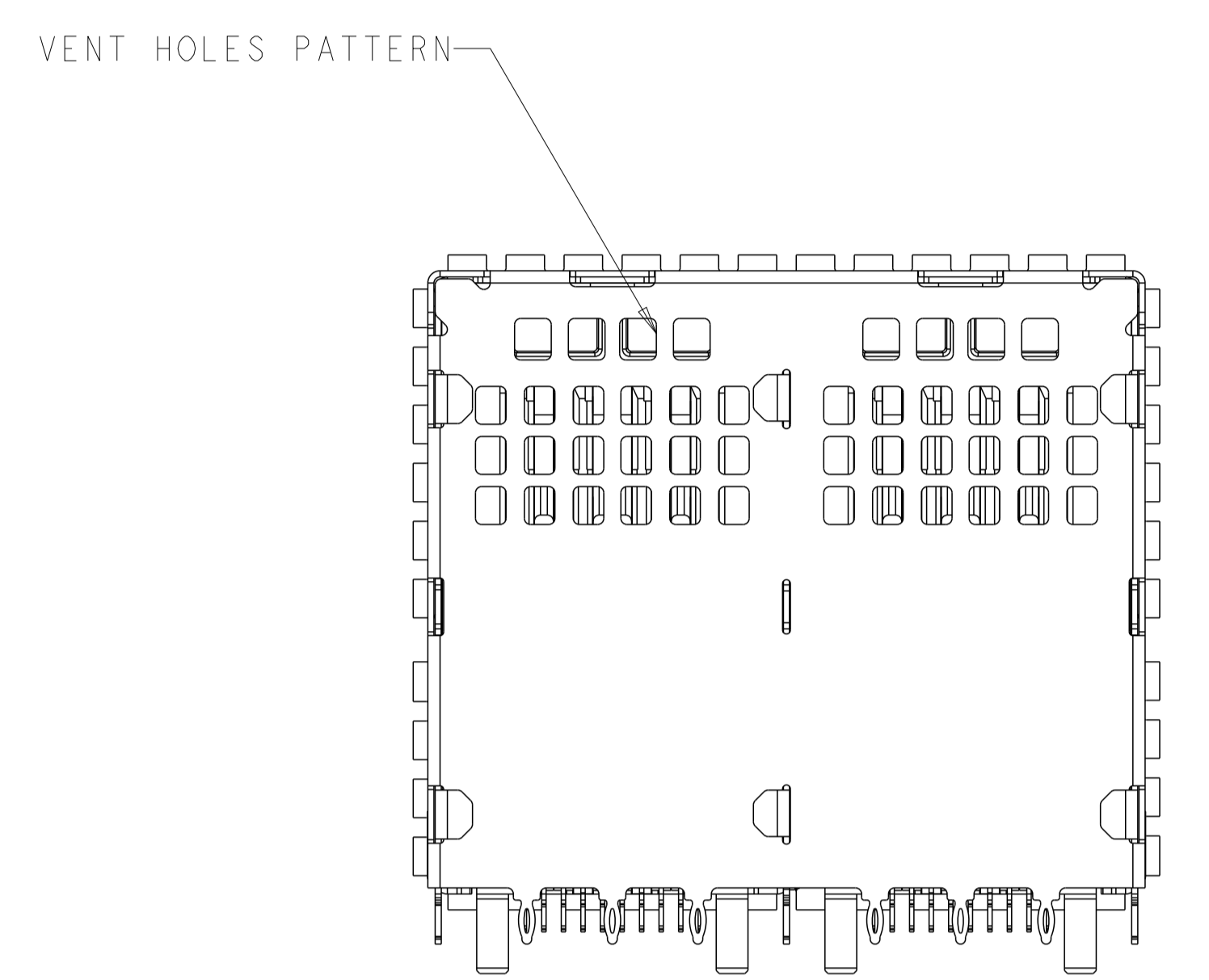
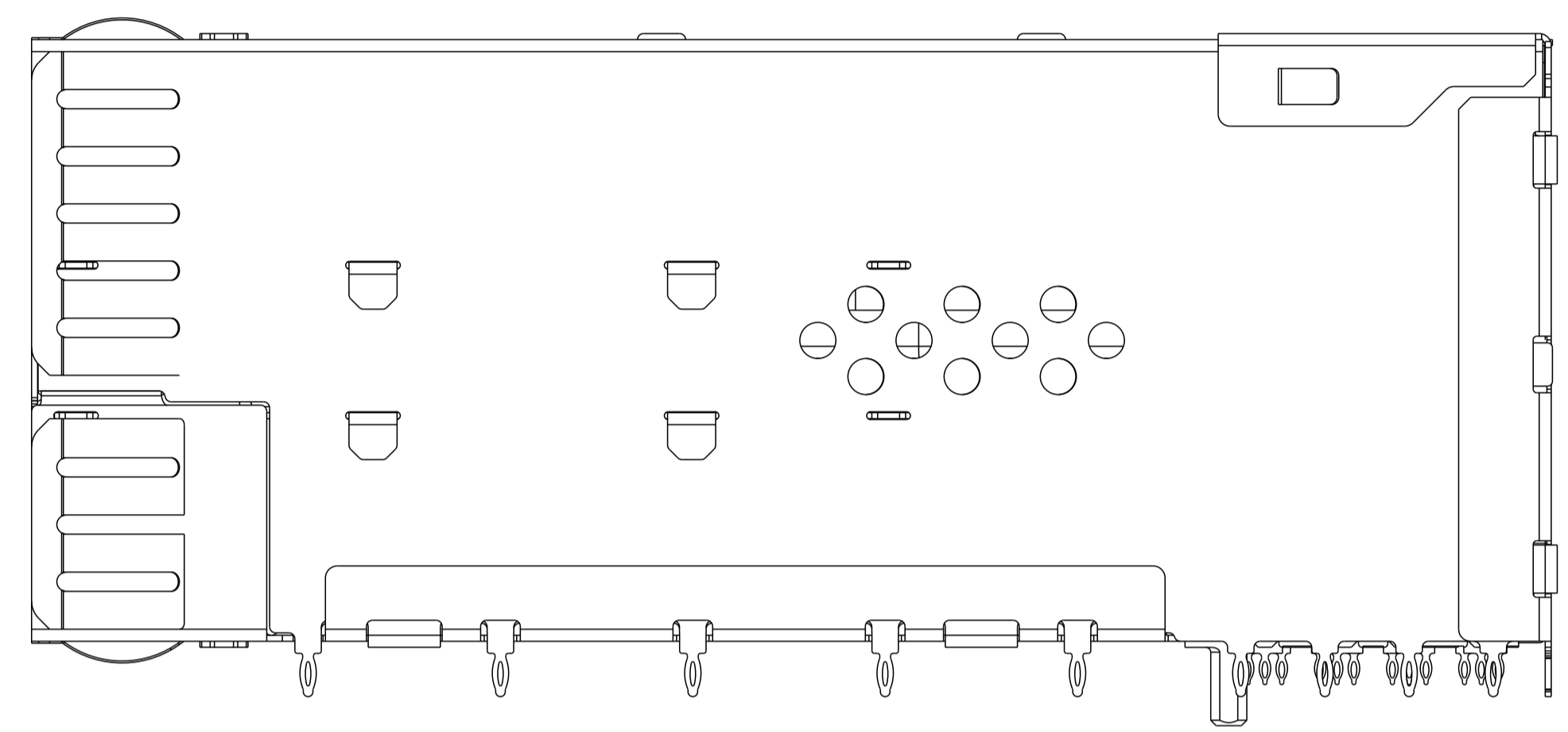
| | | | |
|--|--|--|---|
| THIS DRAWING IS A CONTROLLED DOCUMENT. | | OWN: LEO LI 04SEP2018 | |
| DIMENSIONS: mm | | CHK: SEAN HAN 04SEP2018 | |
| TOLERANCES UNLESS OTHERWISE SPECIFIED: | | APVD: SEAN HAN 04SEP2018 | NAME: RECEPTACLE ASSEMBLY, 2X2, STACKED, SFP56 PRODUCT SPEC: 108-2481 APPLICATION SPEC: 114-13319 |
| 0 PLC ±0.25 1 PLC ±0.25 2 PLC ±0.25 3 PLC ±0.25 4 PLC ±0.25 ANGLES ±° ±5° FINISH SEE NOTES | | SIZE: A1 CAGE CODE: 2343522 DRAWING NO: 100779 CUSTOMER DRAWING | |
| MATERIAL: SEE NOTES | | RESTRICTED TO: - | SCALE: 4:1 SHEET: 3 OF 8 REV: E8 |

| LOC | | DIST | | REVISIONS | | | |
|-----|----|------|-----|-------------|------|-----|------|
| GP | 00 | P | LYR | DESCRIPTION | DATE | OWN | APVD |
| | | - | | SEE SHEET 1 | | | |

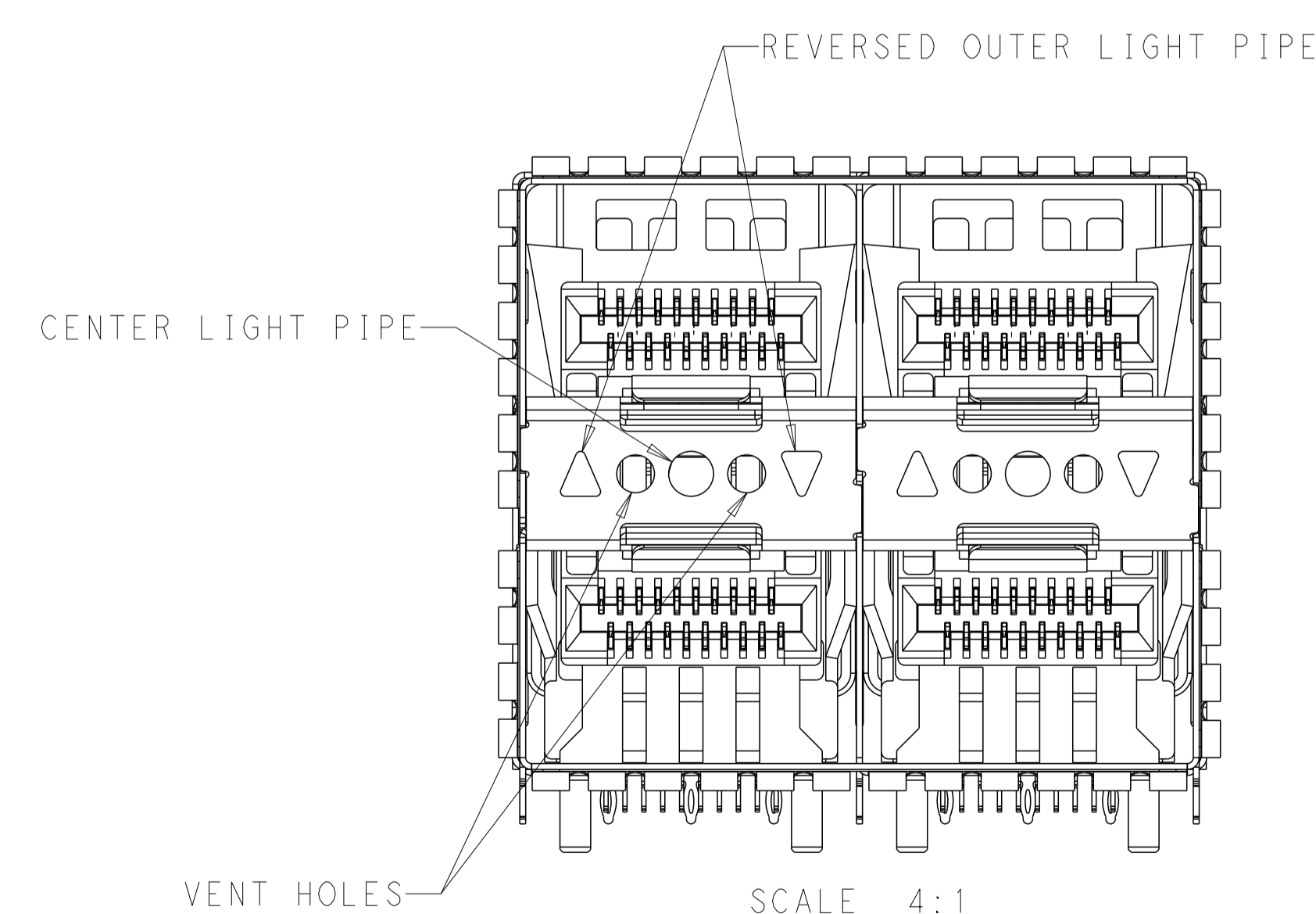
3-2343522-3, 4-2343522-3, 4-2343522-4, AIR FLOW ENHANCED VERSION
 UNMARKED DIMENSION SAME AS 2343522-5



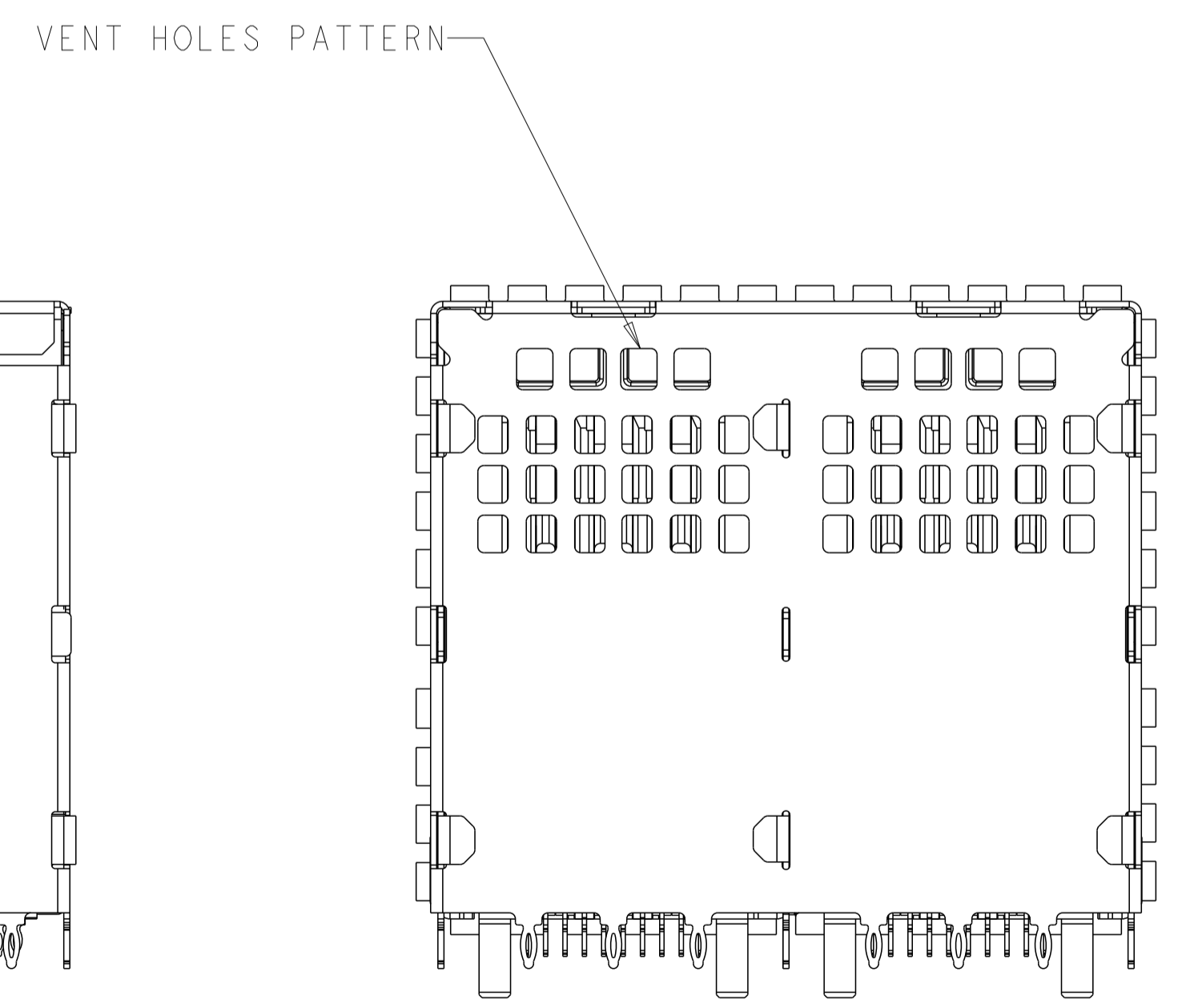
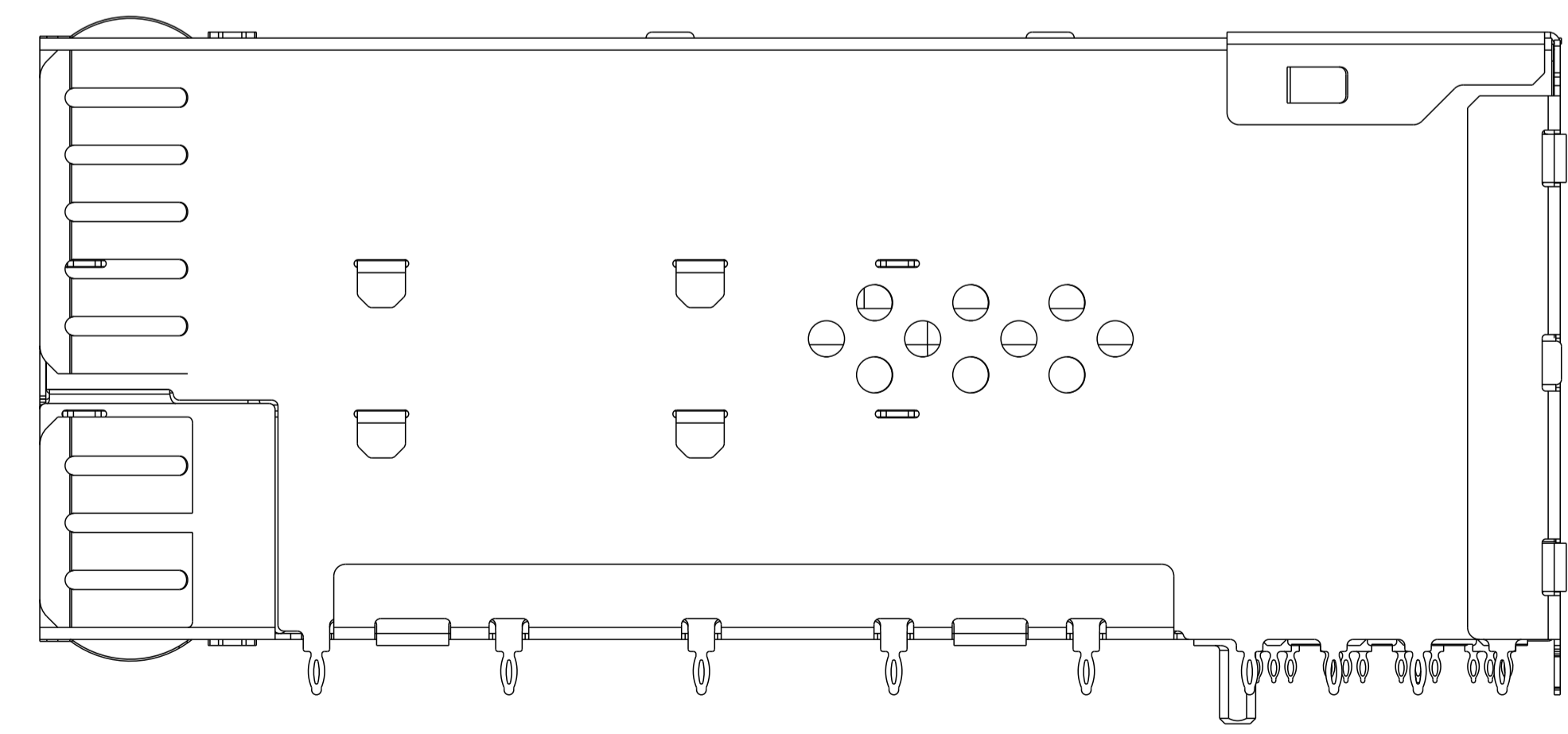
SCALE 4:1



3-2343522-4 AIR FLOW ENHANCED VERSION
 UNMARKED DIMENSION SAME AS 2343522-5



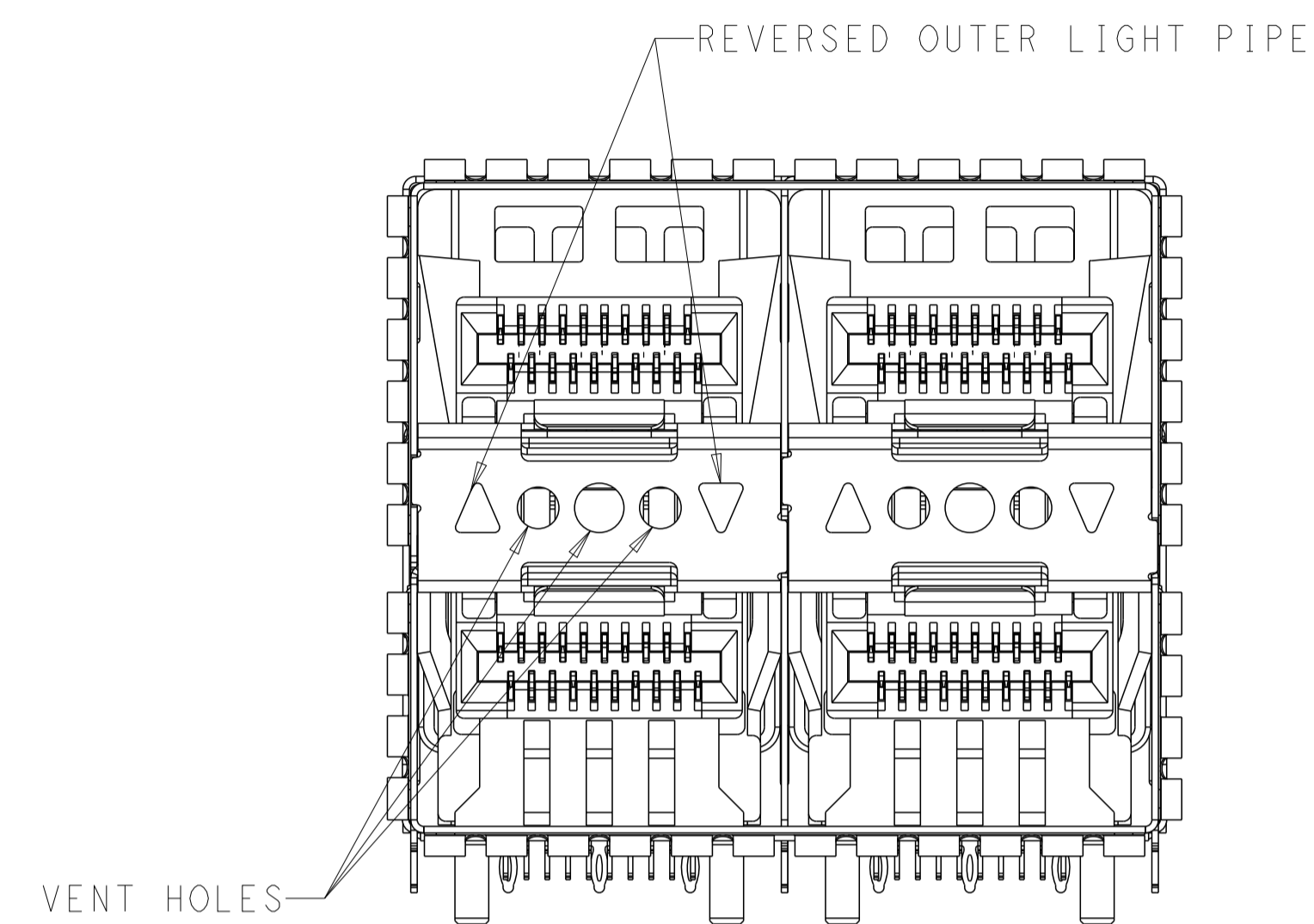
SCALE 4:1



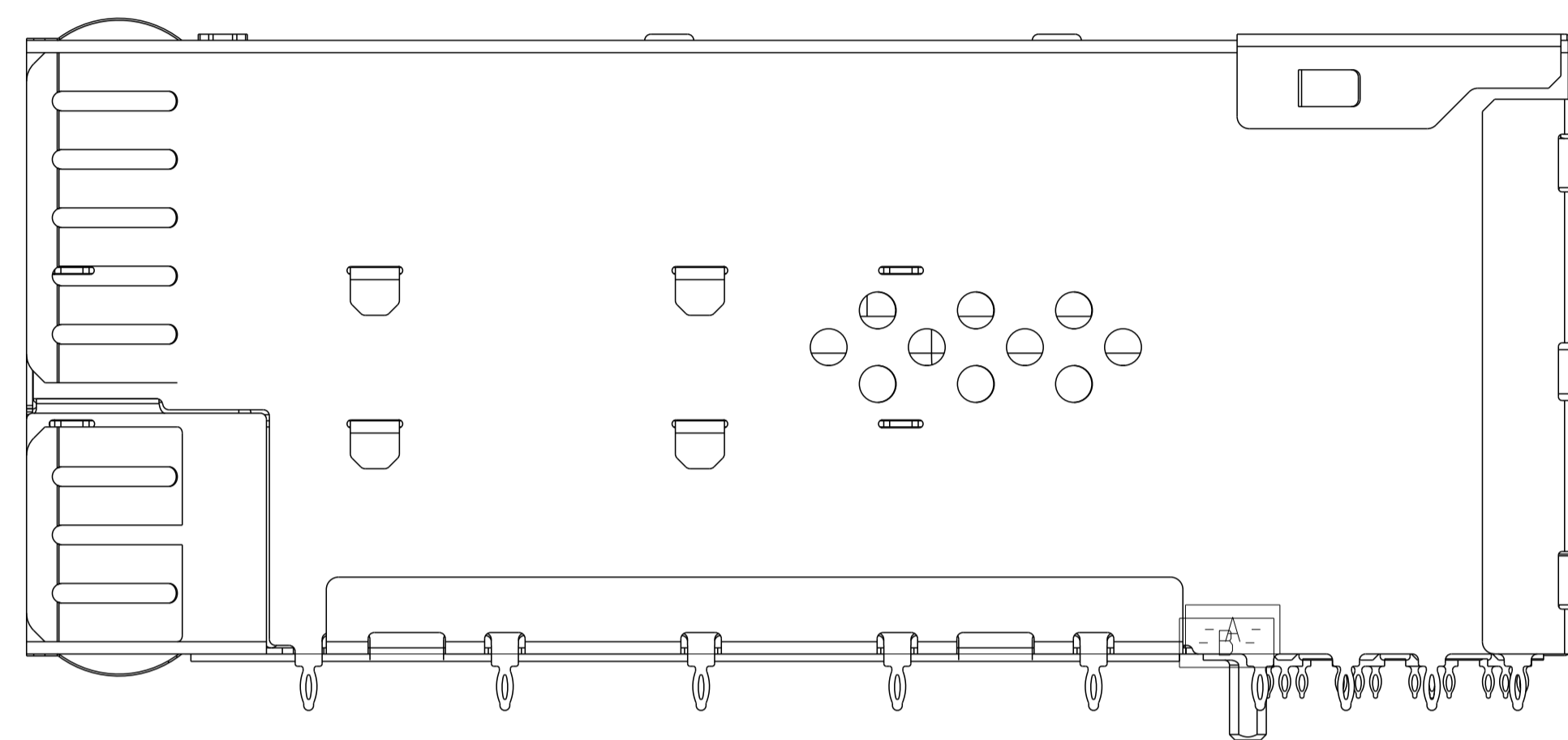
| | | | |
|--|--|--|---|
| THIS DRAWING IS A CONTROLLED DOCUMENT. | | OWN: LEO LI 04SEP2018 | TE Connectivity NAME: RECEPTACLE ASSEMBLY, 2X2, STACKED, SFP56 |
| DIMENSIONS: mm | | CHK: SEAN HAN 04SEP2018 | |
| TOLERANCES UNLESS OTHERWISE SPECIFIED: 0 PLC ±0.25 1 PLC ±0.25 2 PLC ±0.25 3 PLC ±0.25 4 PLC ±0.25 ANGLES ±° FINISH SEE NOTES | | APVD: SEAN HAN 04SEP2018 PRODUCT SPEC: 108-2481 APPLICATION SPEC: 114-13319 WEIGHT: - | |
| MATERIAL: SEE NOTES | | SIZE: A1 CAGE CODE: 00779 DRAWING NO: C=2343522 CUSTOMER DRAWING | |
| | | RESTRICTED TO: - | SCALE: 4:1 SHEET 4 OF 8 REV: E8 |

5-2343522-9 AIR FLOW ENHANCED VERSION W/ INSULATION TAPE ADDED
 UNMARKED DIMENSION SAME AS 3-2343522-3

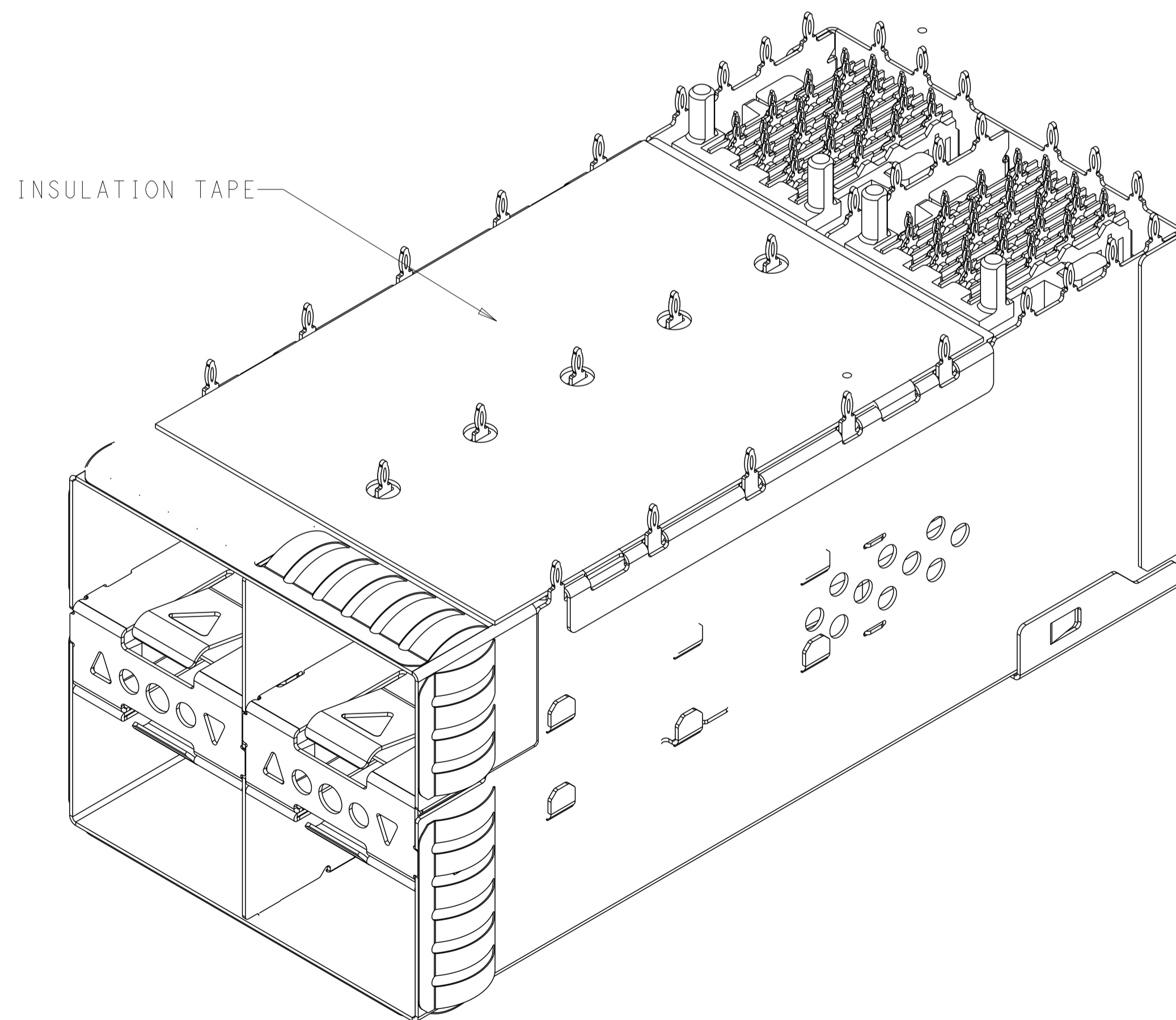
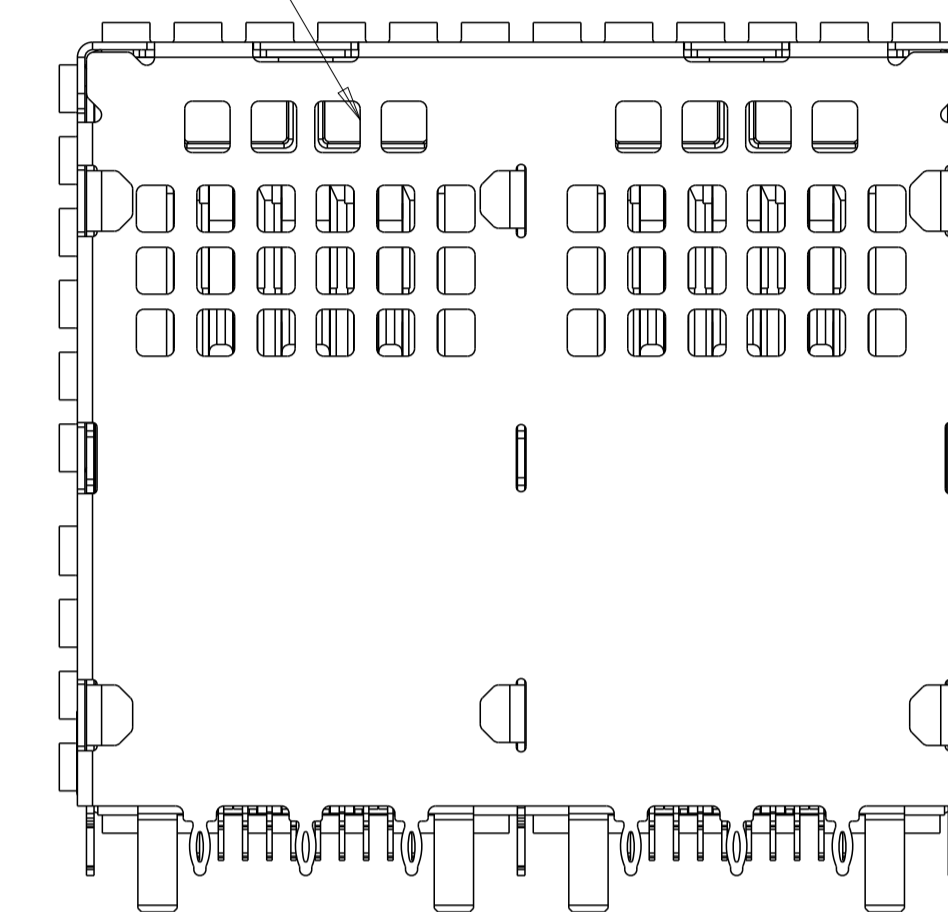
| LOC | DIST | REVISIONS | | | | | |
|-----|------|-----------|-----|-------------|------|-----|------|
| GP | 00 | P | LYR | DESCRIPTION | DATE | OWN | APVD |
| | | - | | SEE SHEET 1 | | | |
| | | | | | | | |
| | | | | | | | |



SCALE 4:1



VENT HOLES PATTERN

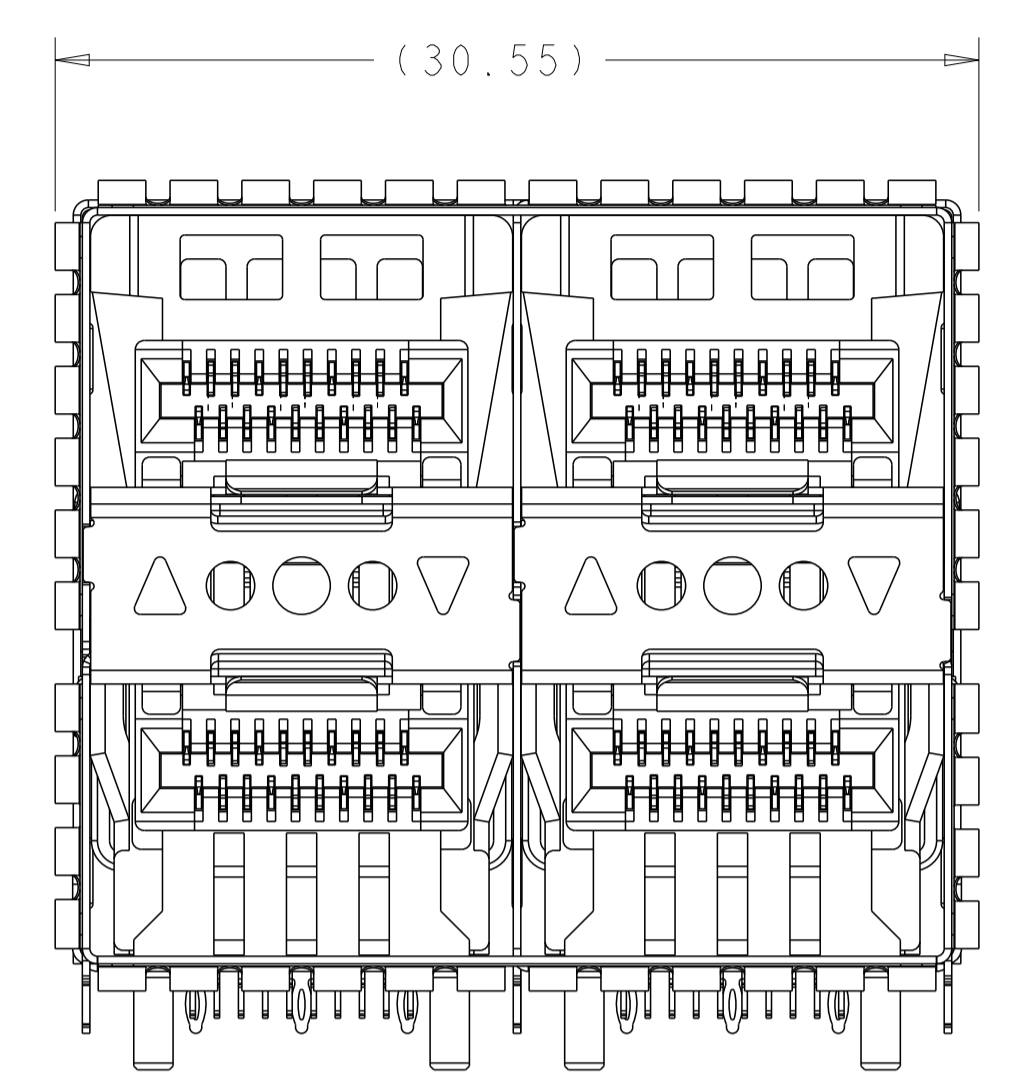


SCALE 4:1

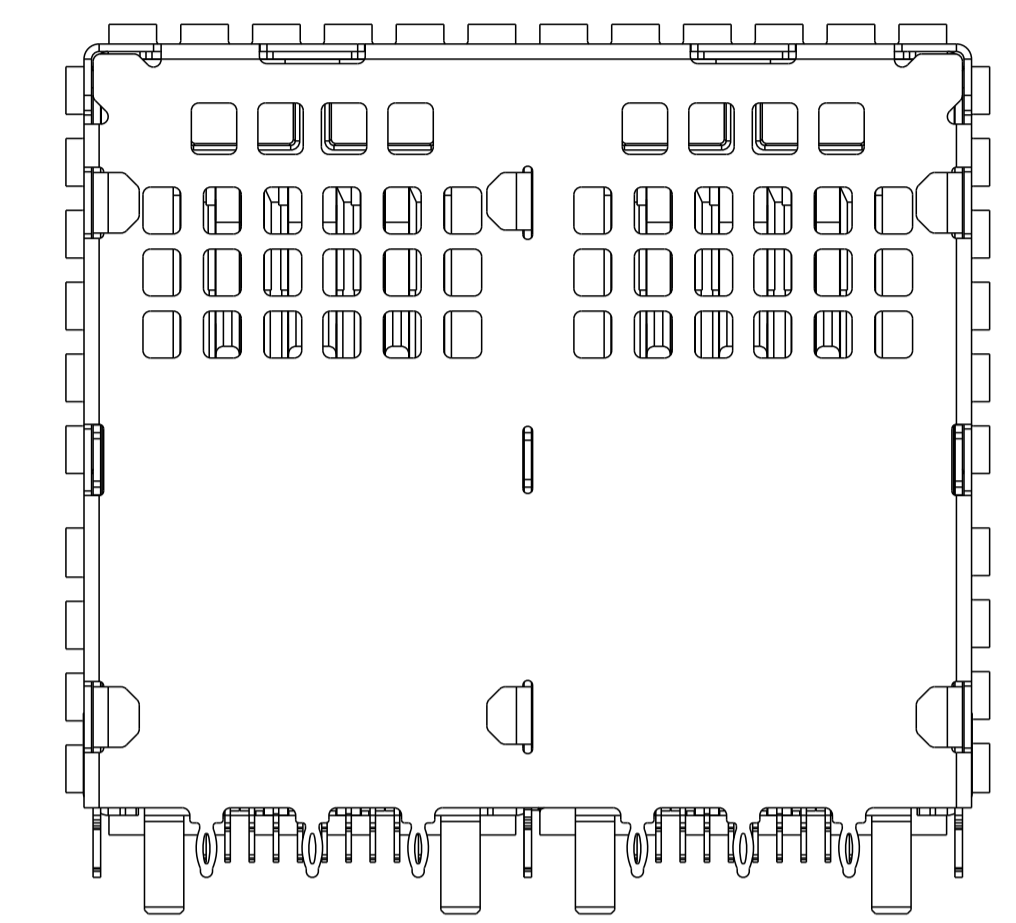
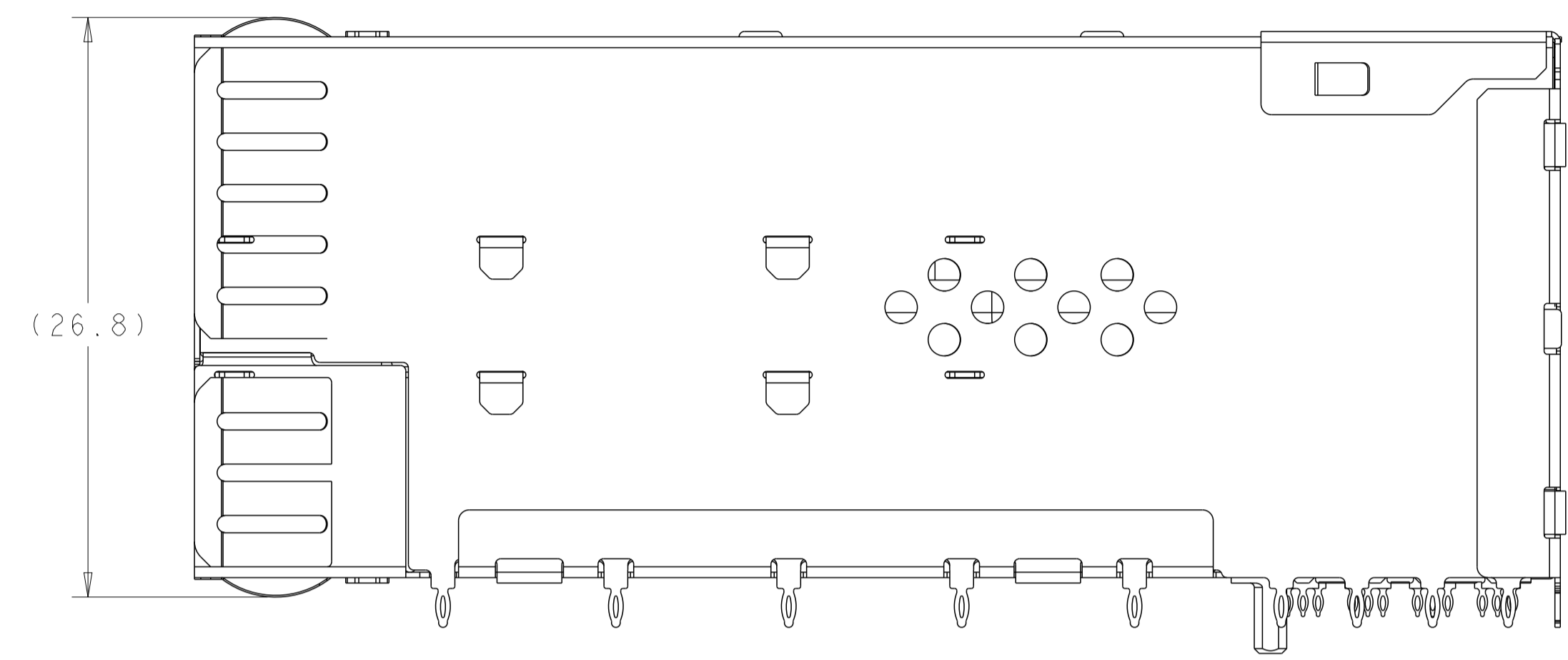
| | | | |
|--|--|--|---------------------------------|
| THIS DRAWING IS A CONTROLLED DOCUMENT. | | OWN: LEO LI 04SEP2018 | TE Connectivity |
| DIMENSIONS: mm | | CHK: SEAN HAN 04SEP2018 | |
| | | APVD: SEAN HAN 04SEP2018 | |
| TOLERANCES UNLESS OTHERWISE SPECIFIED: 0 PLC ±0.25 1 PLC ±0.25 2 PLC ±0.25 3 PLC ±0.25 4 PLC ±0.25 ANGLES ±° FINISH ±5° | | NAME: RECEPTACLE ASSEMBLY, 2X2, STACKED, SFP56 | |
| MATERIAL: SEE NOTES | | PRODUCT SPEC: 108-2481 | SIZE: A1 |
| SEE NOTES | | APPLICATION SPEC: 114-13319 | CAGE CODE: 2343522 |
| | | WEIGHT: - | RESTRICTED TO: - |
| | | CUSTOMER DRAWING | SCALE: 4:1 SHEET 5 OF 8 REV: E8 |

| LOC | DIST | REVISIONS | | | | | |
|-----|------|-----------|-----|-------------|------|-----|------|
| GP | 00 | P | LYR | DESCRIPTION | DATE | OWN | APVD |
| - | - | - | - | SEE SHEET 1 | - | - | - |
| | | | | | | | |
| | | | | | | | |

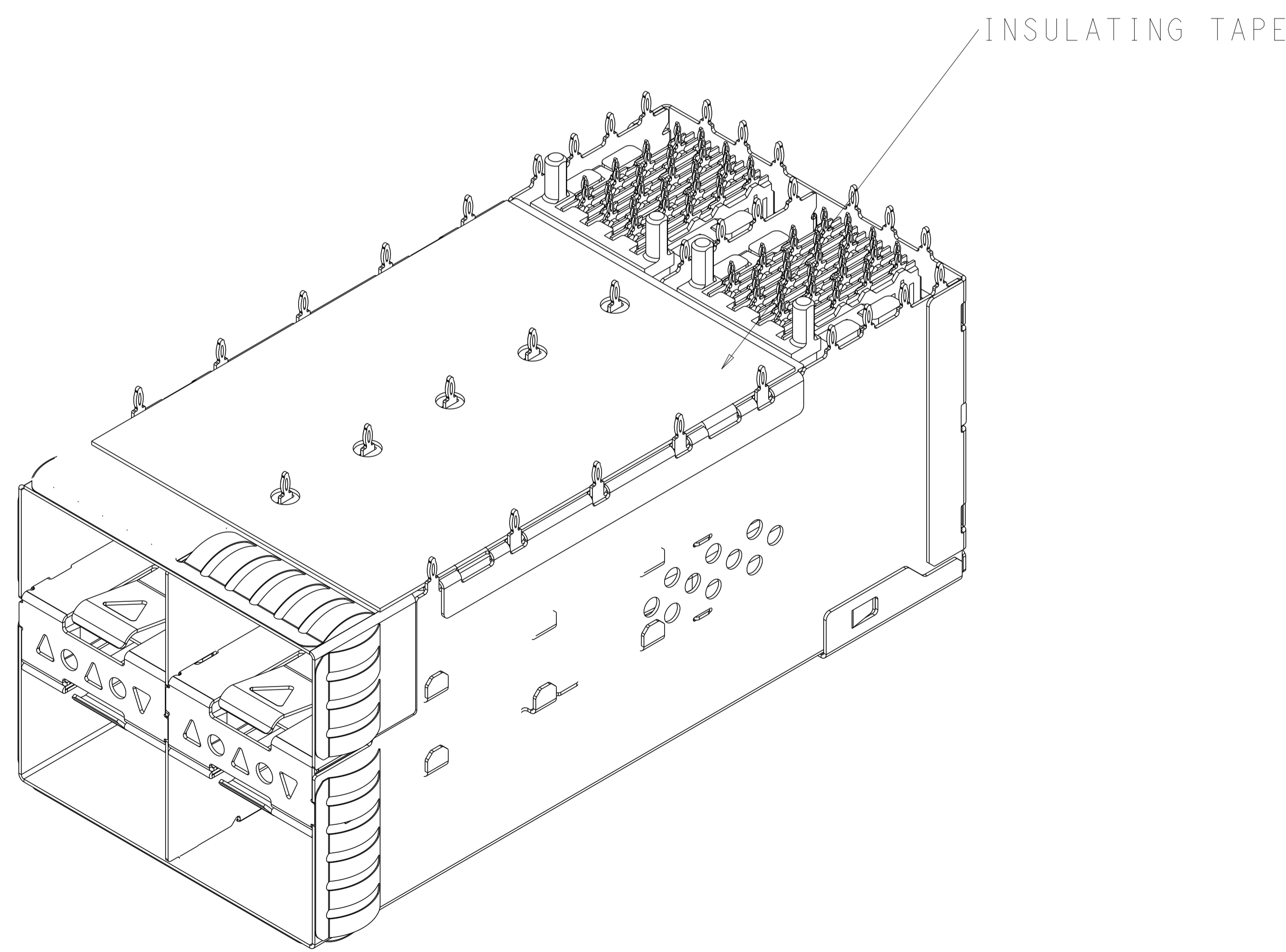
5-2343522-3 AIR FLOW ENHANCED VERSION



SCALE 4:1

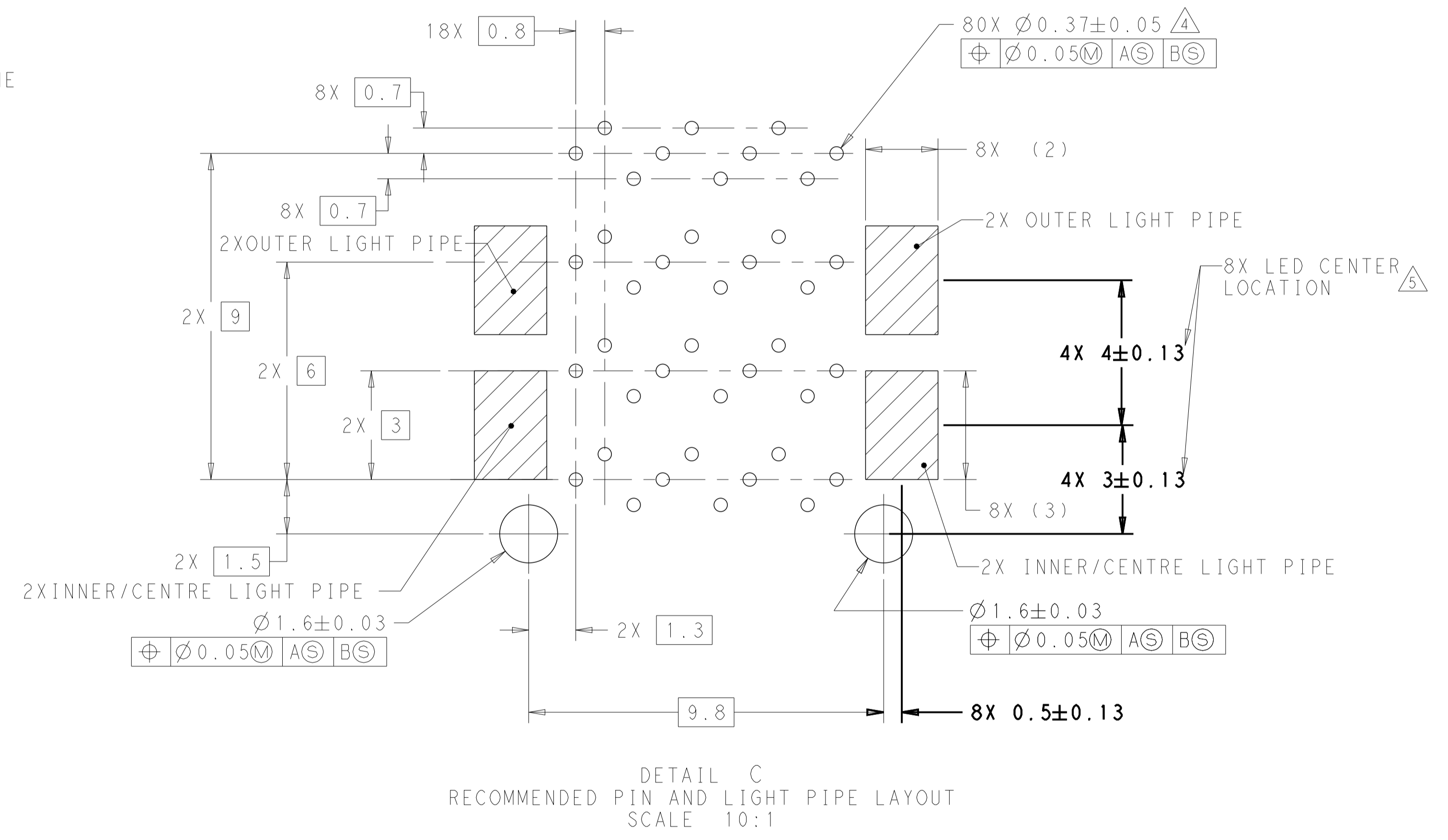
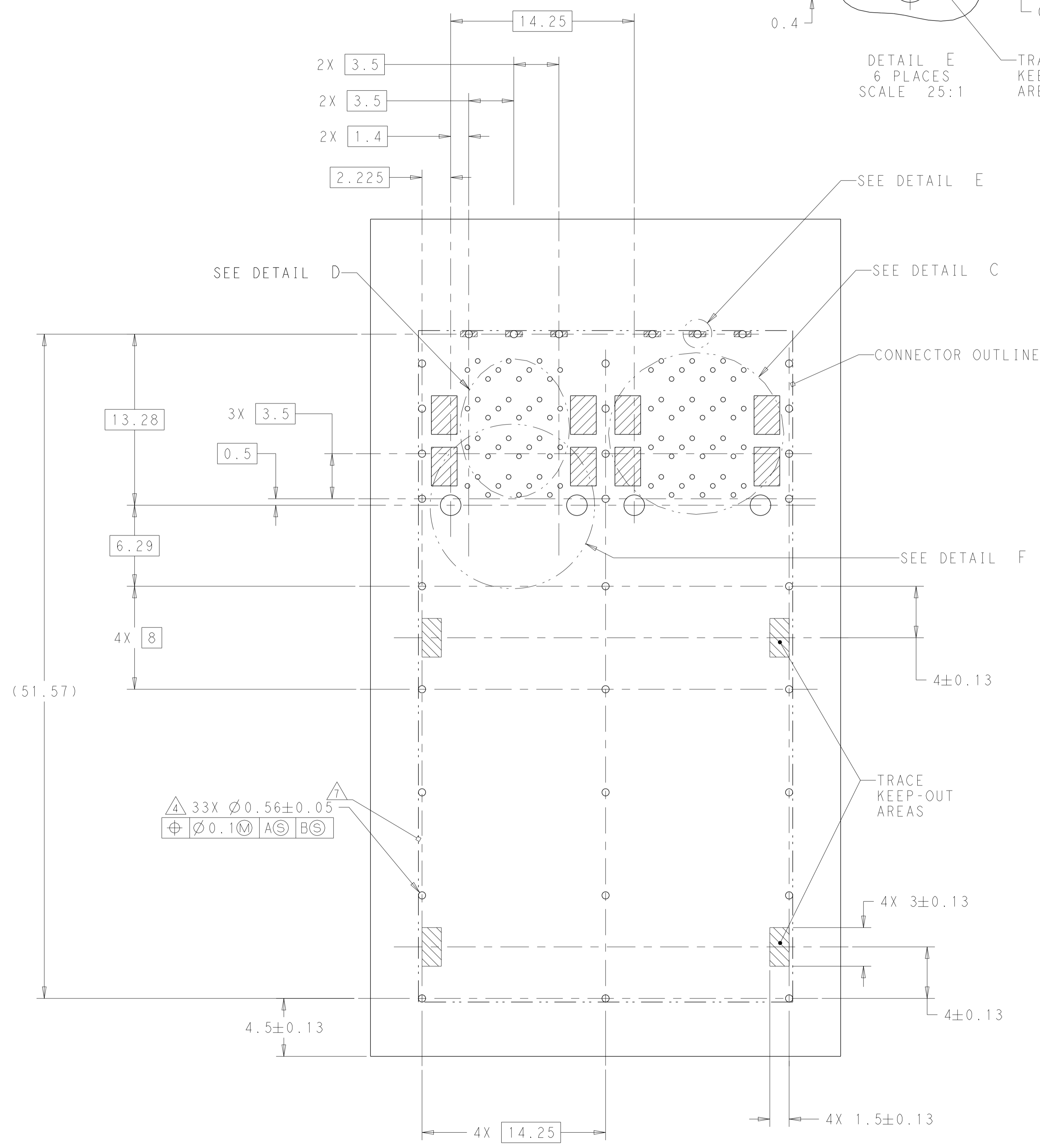
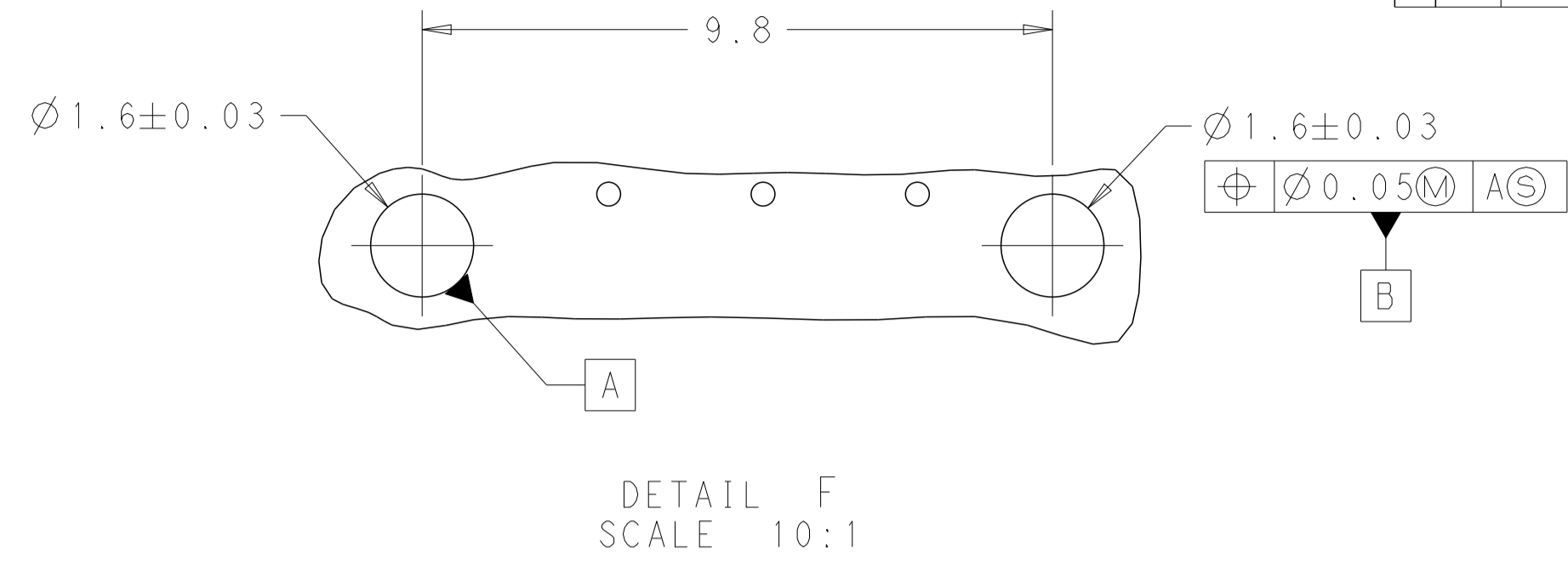
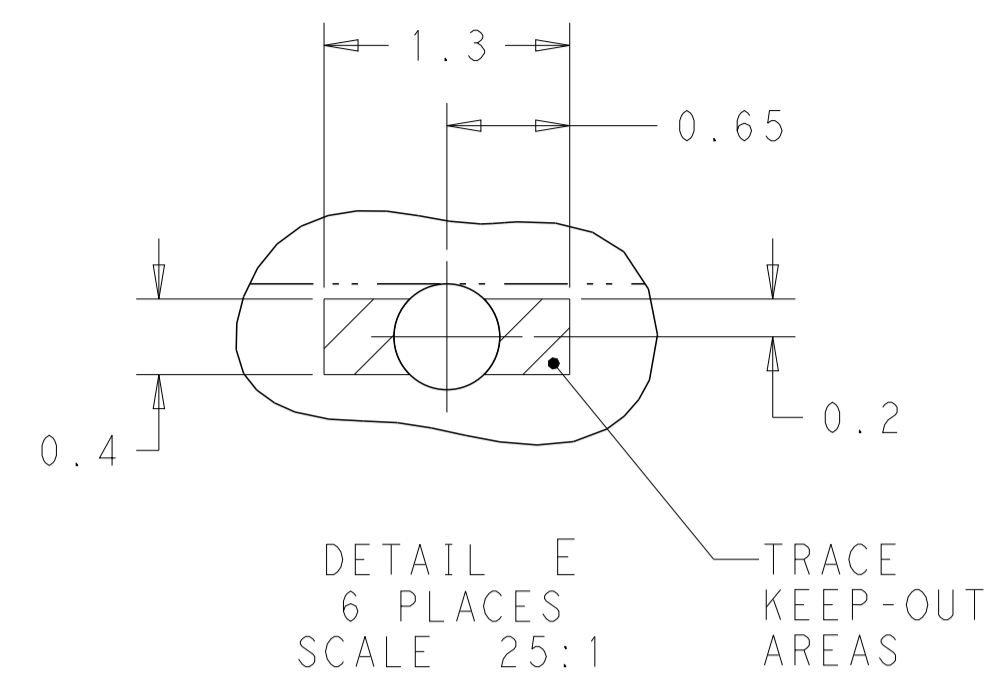


2-2343522-1 WITH INSULATING TAPE



| | | | |
|--|--|-----------------------------|--|
| THIS DRAWING IS A CONTROLLED DOCUMENT. | | OWN: LEO LI 04SEP2018 | TE Connectivity |
| DIMENSIONS: mm | | CHK: SEAN HAN 04SEP2018 | |
| TOLERANCES UNLESS OTHERWISE SPECIFIED: 0 PLC ±0.25 1 PLC ±0.25 2 PLC ±0.25 3 PLC ±0.25 4 PLC ±0.25 ANGLES ±° FINISH ±0.05 | | APP'D: SEAN HAN 04SEP2018 | NAME: RECEPTACLE ASSEMBLY, 2X2, STACKED, SFP56 |
| MATERIAL: SEE NOTES | | PRODUCT SPEC: 108-2481 | SIZE: A1 |
| FINISH: SEE NOTES | | APPLICATION SPEC: 114-13319 | CAGE CODE: C=2343522 |
| CUSTOMER DRAWING | | WEIGHT: - | RESTRICTED TO: - |
| SCALE: 4:1 | | SHEET: 6 OF 8 | REV: E8 |

| LOC | | DIST | | REVISIONS | | | |
|-----|----|------|-----|-------------|------|-----|------|
| GP | 00 | P | LTH | DESCRIPTION | DATE | OWN | APVD |
| | | - | - | SEE SHEET 1 | - | - | - |



| | | | |
|--|-------------------|--------------------------|--|
| THIS DRAWING IS A CONTROLLED DOCUMENT. | | OWN: LEO LI 04SEP2018 | TE Connectivity |
| DIMENSIONS: mm | | CHK: SEAN HAN 04SEP2018 | |
| TOLERANCES UNLESS OTHERWISE SPECIFIED: | | APVD: SEAN HAN 04SEP2018 | NAME: RECEPTACLE ASSEMBLY, 2X2, STACKED, SFP56 |
| 0 PLC ±0.25 | 1 PLC ±0.25 | 2 PLC ±0.25 | 3 PLC ±0.25 |
| 4 PLC ±0.25 | ANGLES ±° | FINISH ±5° | |
| MATERIAL: SEE NOTES | FINISH: SEE NOTES | WEIGHT: 114-13319 | SIZE: A100779 |
| CUSTOMER DRAWING | | SCALE: 4:1 | SHEET 7 OF 8 |

| LOC | DIST | REVISIONS | | | | | |
|-----|------|-----------|-----|-------------|------|-----|------|
| GP | 00 | P | LTN | DESCRIPTION | DATE | DWN | APVD |
| | | - | | SEE SHEET 1 | - | - | - |

T19 ○ T16 ○ T13 ○
 T20 ○ T17 ○ T14 ○ T11 ○
 T18 ○ T15 ○ T12 ○

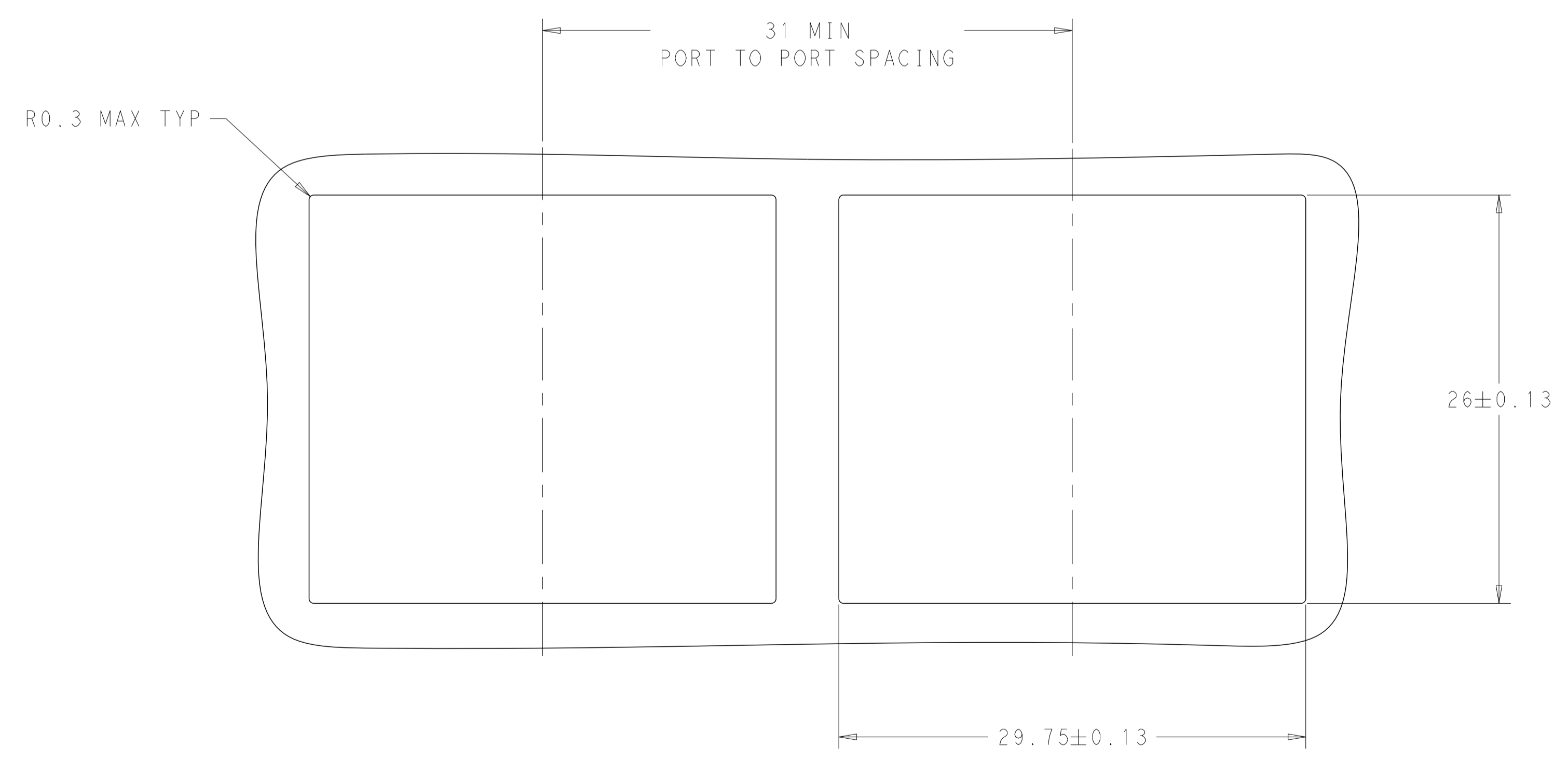
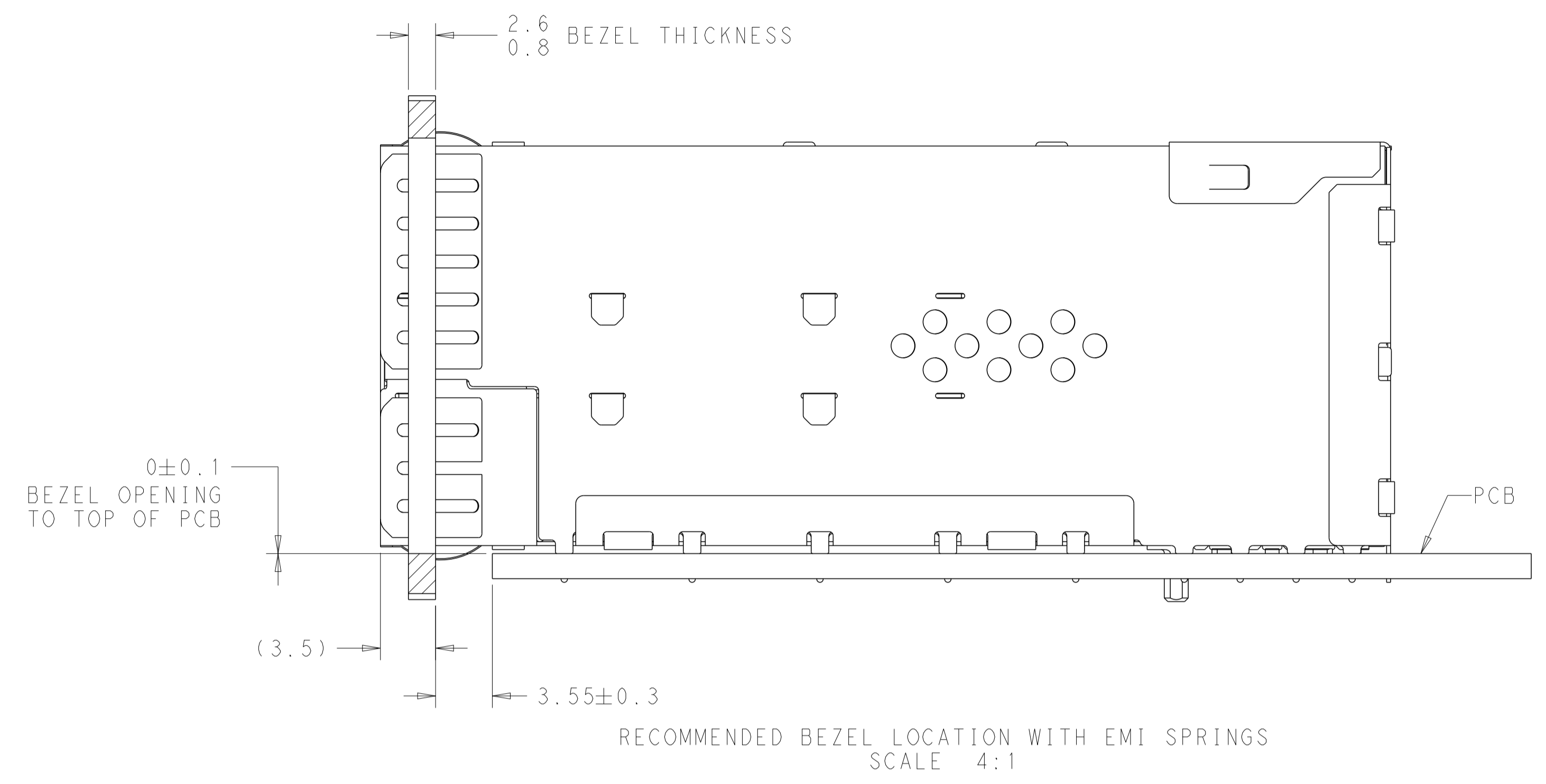
T2 ○ T5 ○ T8 ○
 T1 ○ T4 ○ T7 ○ T10 ○
 T3 ○ T6 ○ T9 ○

L9 ○ L6 ○ L3 ○
 L10 ○ L7 ○ L4 ○ L1 ○
 L8 ○ L5 ○ L2 ○

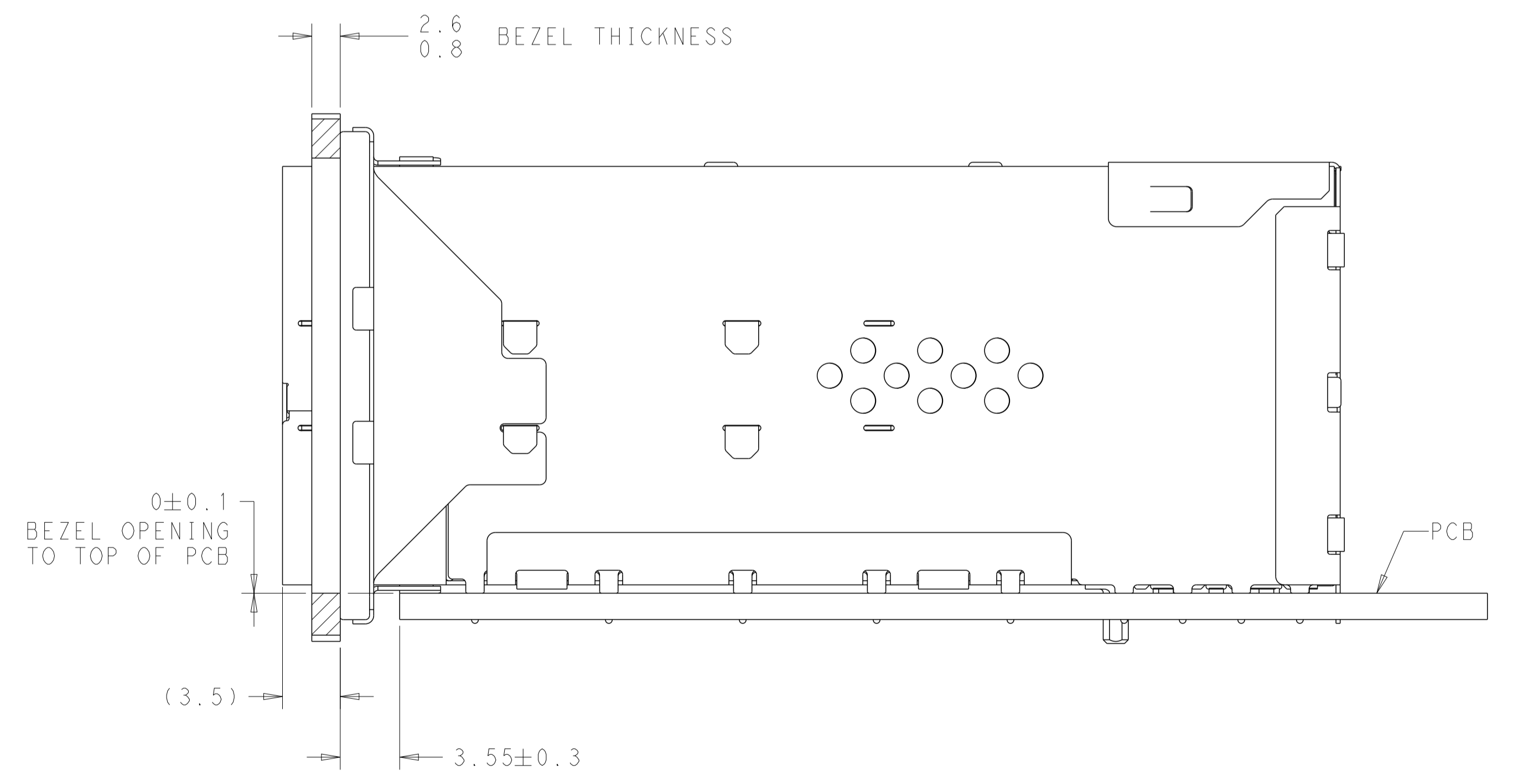
L12 ○ L15 ○ L18 ○
 L11 ○ L14 ○ L17 ○ L20 ○
 L13 ○ L16 ○ L19 ○

| PIN MAP LEGEND | |
|----------------|------------|
| PIN NUMBER | FUNCTION |
| L1/T1 | VEET |
| L2/T2 | TX-FAULT |
| L3/T3 | TX-DISABLE |
| L4/T4 | SDA |
| L5/T5 | SCL |
| L6/T6 | MOD_ABS |
| L7/T7 | RSO |
| L8/T8 | RX_LOS |
| L9/T9 | RS1 |
| L10/T10 | VEER |
| L11/T11 | VEER |
| L12/T12 | RD- |
| L13/T13 | RD+ |
| L14/T14 | VEER |
| L15/T15 | VCCR |
| L16/T16 | VCCT |
| L17/T17 | VEET |
| L18/T18 | TD+ |
| L19/T19 | TD- |
| L20/T20 | VEET |

DETAIL D
 PIN MAP
 2 PLACES
 SCALE 15:1



RECOMMENDED BEZEL CUT-OUT DETAIL
 SCALE 4:1



RECOMMENDED BEZEL LOCATION WITH EMI GASKET
 SCALE 4:1

| | | | |
|--|-------------------|--|---------------------------------|
| THIS DRAWING IS A CONTROLLED DOCUMENT. | | DWN: LEO LI 04SEP2018 | TE Connectivity |
| DIMENSIONS: mm | | CHK: SEAN HAN 04SEP2018 | |
| TOLERANCES UNLESS OTHERWISE SPECIFIED: | | APPD: SEAN HAN 04SEP2018 | |
| 0 PLC ±0.25 1 PLC ±0.25 2 PLC ±0.25 3 PLC ±0.25 4 PLC ±0.25 ANGLES ±° FINISH ±μm | | NAME: RECEPTACLE ASSEMBLY, 2X2, STACKED, SFP56 | |
| MATERIAL: SEE NOTES | FINISH: SEE NOTES | PRODUCT SPEC: 108-2481 | RESTRICTED TO: |
| | | APPLICATION SPEC: 114-13319 | SIZE: A1 |
| | | WEIGHT: - | CAGE CODE: 2343522 |
| | | CUSTOMER DRAWING | SCALE: 4:1 SHEET 8 OF 8 REV: E8 |