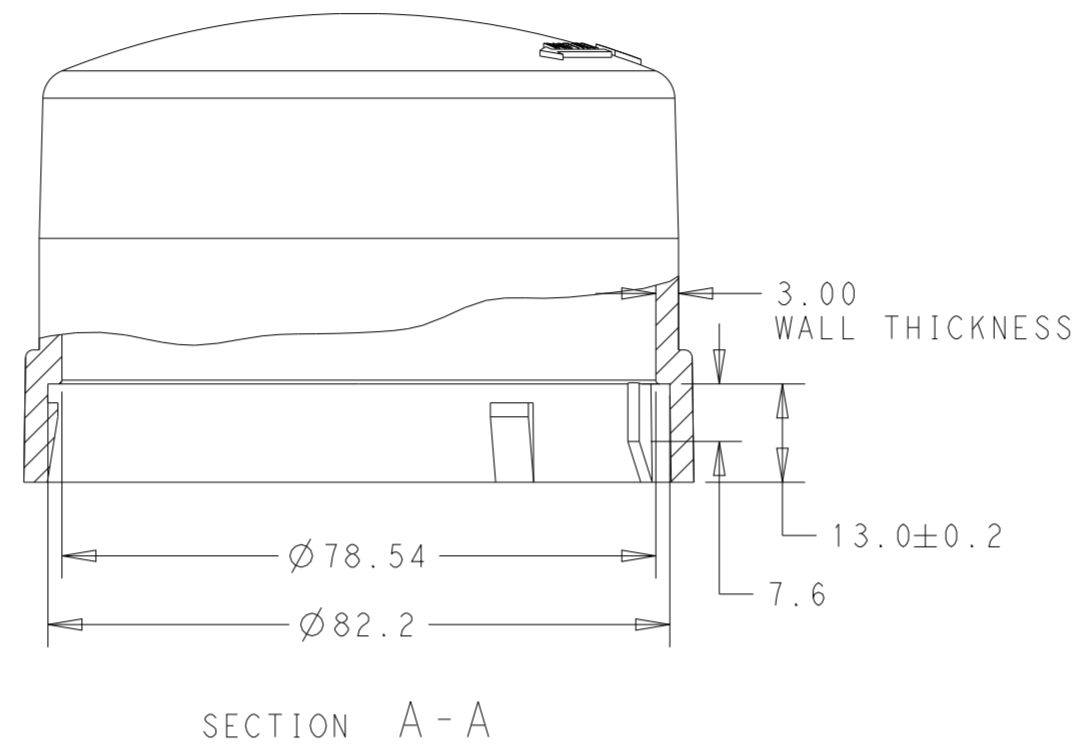
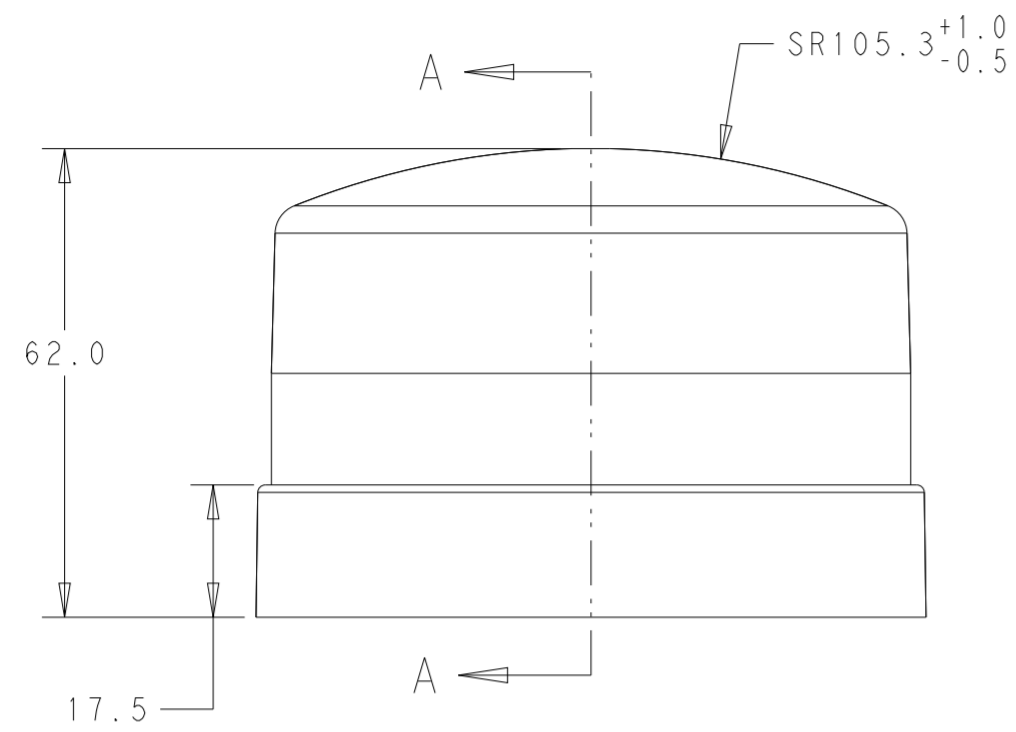


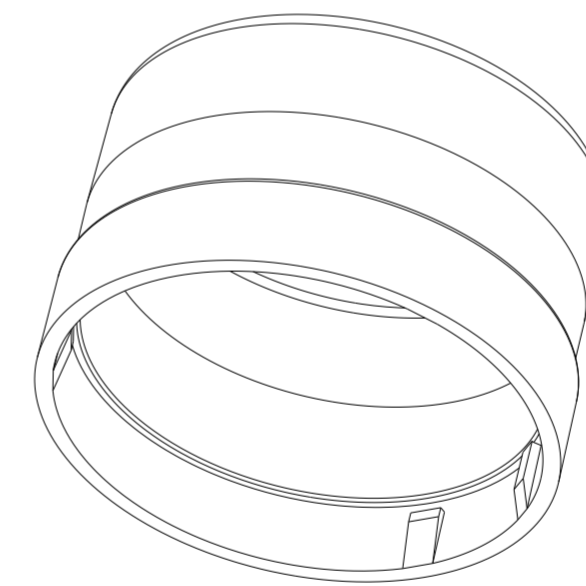
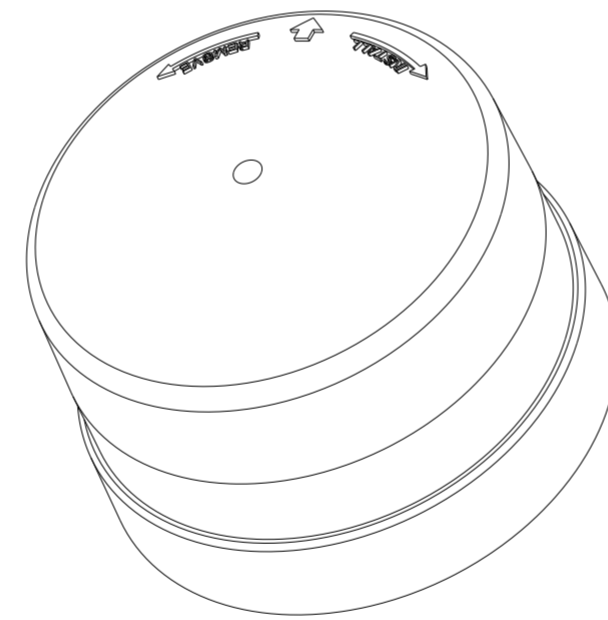
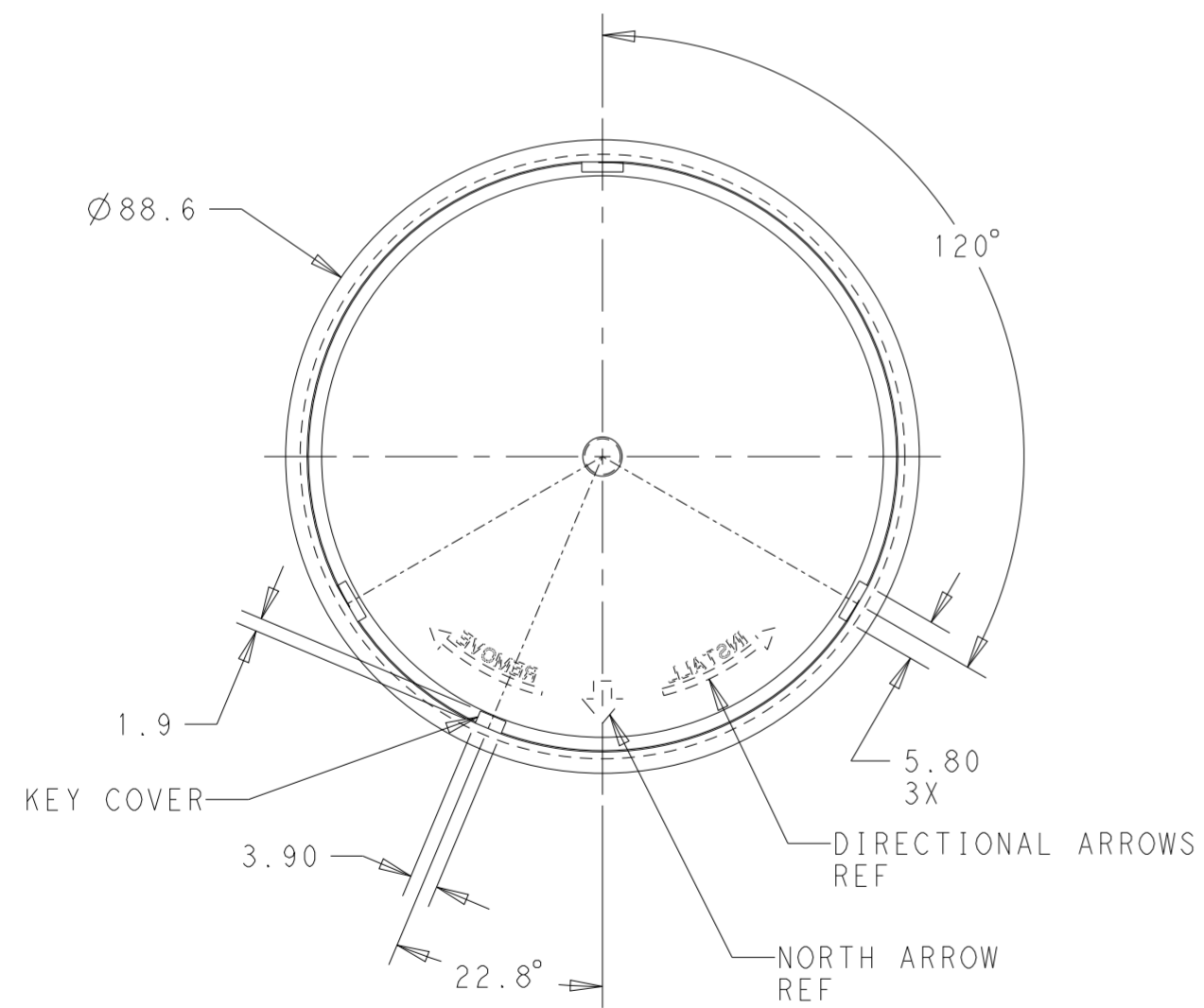
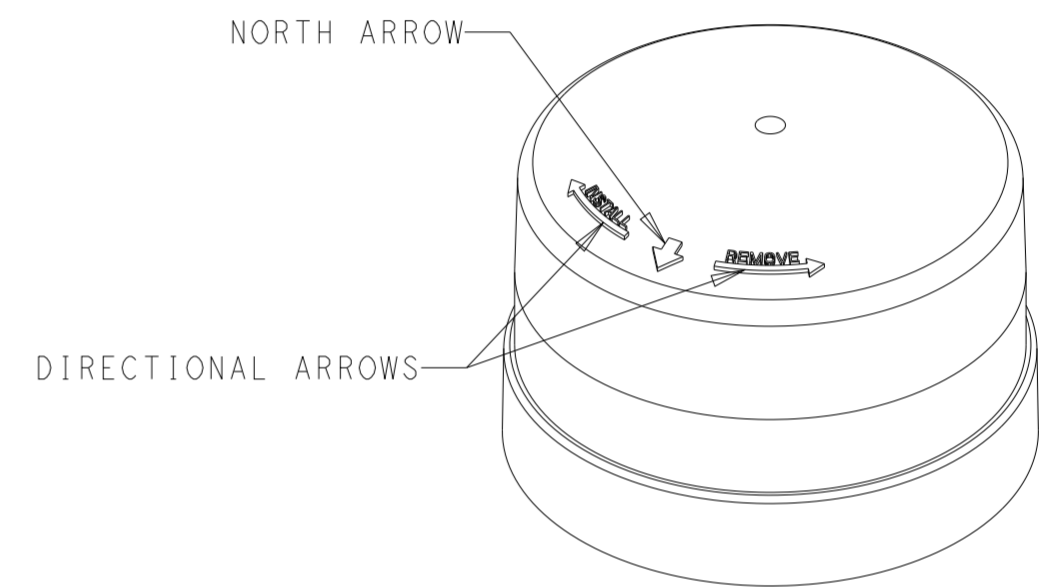
THIS DRAWING IS UNPUBLISHED. RELEASED FOR PUBLICATION 20
 © COPYRIGHT 20 BY - ALL RIGHTS RESERVED.

REVISIONS					
P	LTR	DESCRIPTION	DATE	DWN	APVD
A		RELEASED FOR PRODUCTION	17OCT2017	RK	DD
A1		REVISED PER ECR-19-008901	11JUN2019	SR	DD
B		REVISED PER ECR-19-010486	10JUL2019	SR	DD
B1		REVISED PER ECR-25-264392	20MAR2026	GIC	MM



NOTES:

- 1 MATERIALS:
HOUSING: POLYCARBONATE, UV 5VA RATED
COLOR: SEE TABLE
- 2 MATING BASE TE P/N: 2213871-2,1-2213871-1.
- 3. THIS PRODUCT HAS NOT COMPLETED VALIDATION TESTING.



TRANSMISSION	COLOR	PART NO.
26%	TRANSLUCENT LIGHT GRAY	2315539-2
78%	TRANSPARENT CLEAR	1-2315539-1
24%	TRANSPARENT SMOKE GRAY	2315539-1

THIS DRAWING IS A CONTROLLED DOCUMENT.

DWN J. SHAFFER 13JAN2017	TE Connectivity
CHK E. HOWARD 13JAN2017	
APVD -	NAME COVER, LIGHT CONTROLLER 81mm DIA, MEDIUM
PRODUCT SPEC 108-32125	SIZE A2
APPLICATION SPEC 114-32159	CAGE CODE -
MATERIAL -	DRAWING NO. C-2315539
TOLERANCES UNLESS OTHERWISE SPECIFIED: 0 PLC ± 1 PLC ±0.2 2 PLC ±0.13 3 PLC ± 4 PLC ± ANGLES ±3° FINISH -	RESTRICTED TO -
DIMENSIONS: mm	SCALE 1:1 SHEET 1 OF 1 REV B1
MATERIAL -	CUSTOMER DRAWING