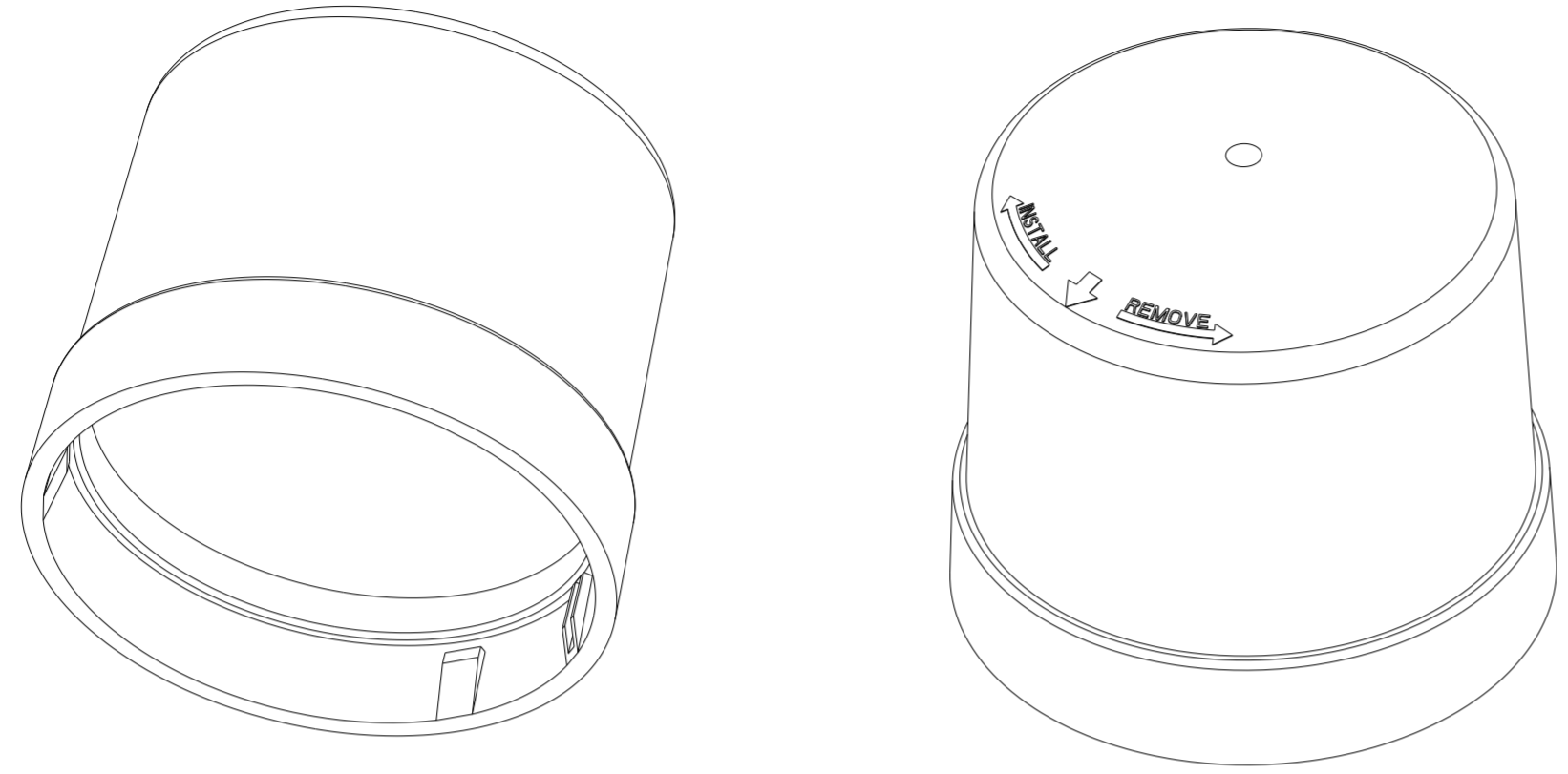
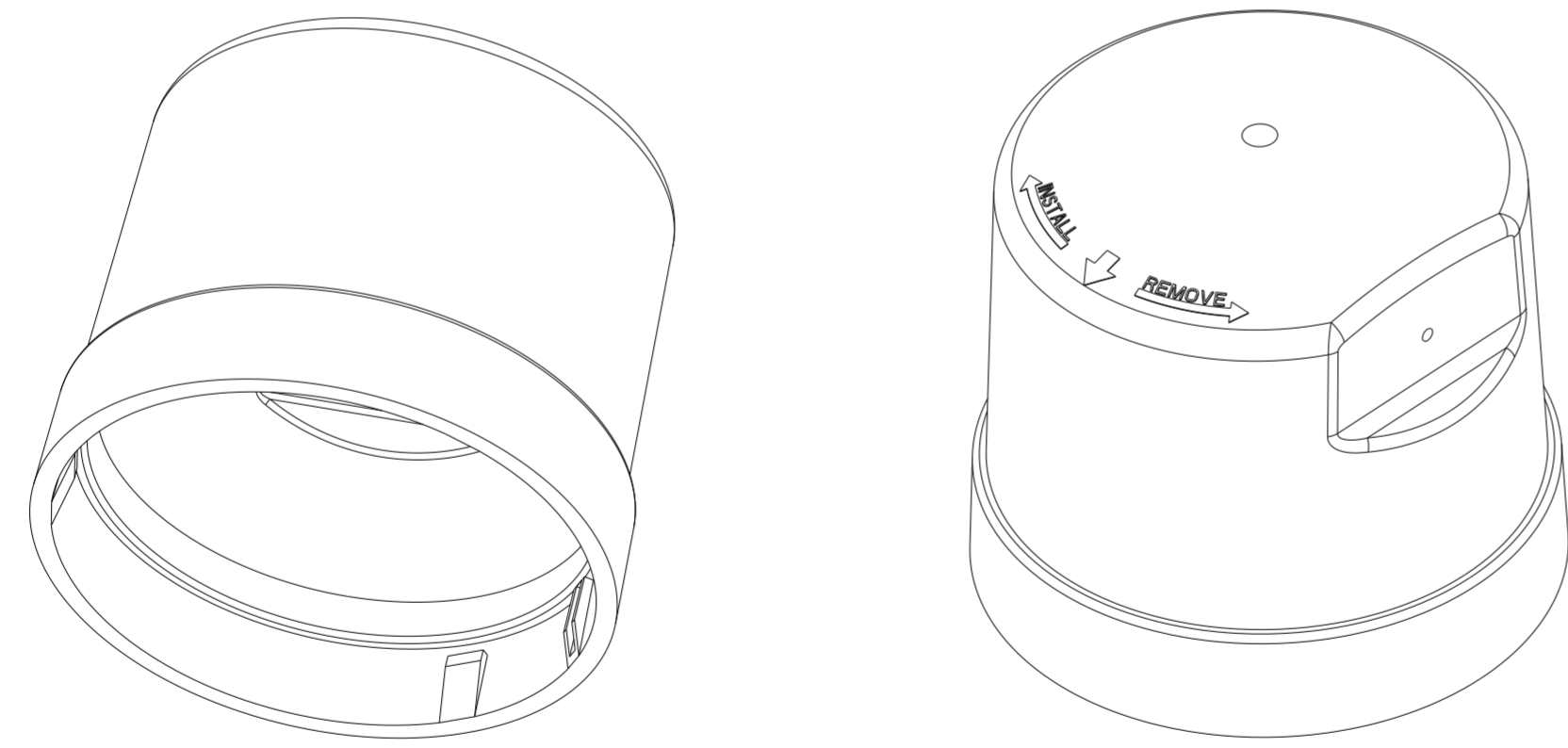


THIS DRAWING IS UNPUBLISHED. RELEASED FOR PUBLICATION 20
 © COPYRIGHT 20 BY - ALL RIGHTS RESERVED.

REVISIONS					
P	LTR	DESCRIPTION	DATE	DWN	APVD
B		REVISED PER ECR-19-002385	22APR2019	SR	DD
B1		REVISED PER ECR-19-006849	01MAY2019	JS	DD
B2		REVISED PER ECR-19-016909	04NOV2019	SB	DD
B3		REVISED PER ECR-25-264392	20MAR2026	GIC	MM



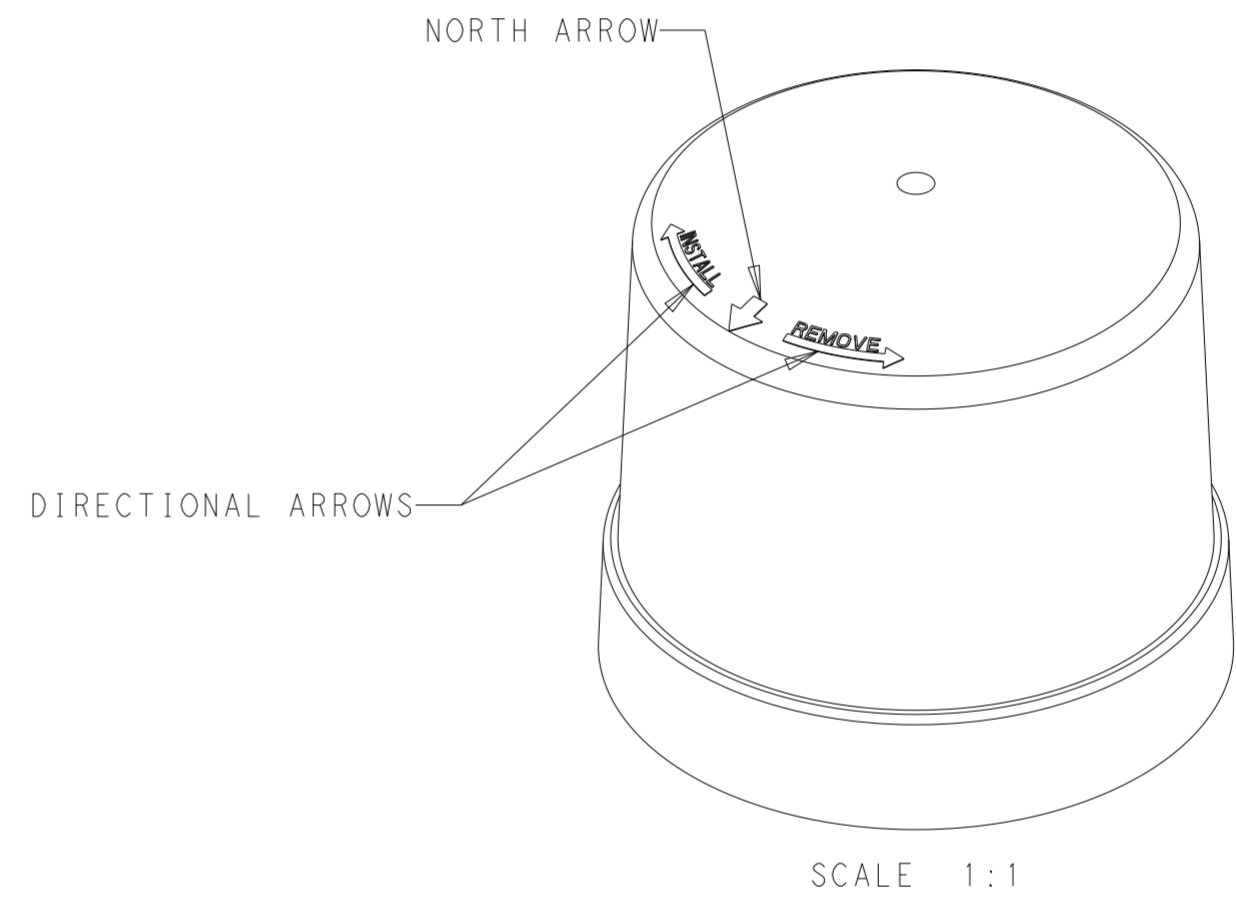
~~2311664-1, 2311664-2 AND 1-2311664-1~~



~~2-2311664-1 AND 3-2311664-1~~

NOTES:

- ⚠ MATERIALS:
HOUSING: POLYCARBONATE, UV 5VA RATED
COLOR: SEE TABLE
- ⚠ MATING BASE TE P/N: 2213730-X



OBSOLETE	78%	TRANSPARENT CLEAR	Ø77.0	Ø73.0	5-2311664-1
OBSOLETE	24%	TRANSPARENT SMOKE	Ø77.0	Ø73.0	4-2311664-1
OBSOLETE	78%	TRANSPARENT CLEAR	Ø77.0	Ø73.0	3-2311664-1
OBSOLETE	24%	TRANSLUCENT SMOKE	Ø77.0	Ø73.0	2-2311664-1
OBSOLETE	78%	TRANSPARENT CLEAR	Ø77.0	Ø73.0	1-2311664-1
	26%	TRANSLUCENT GRAY	Ø77.0	Ø73.0	2311664-2
	24%	TRANSLUCENT SMOKE	Ø77.0	Ø73.0	2311664-1
APPROX LIGHT TRANSMISSION		COLOR	DIM Y	DIM X	PART NO.

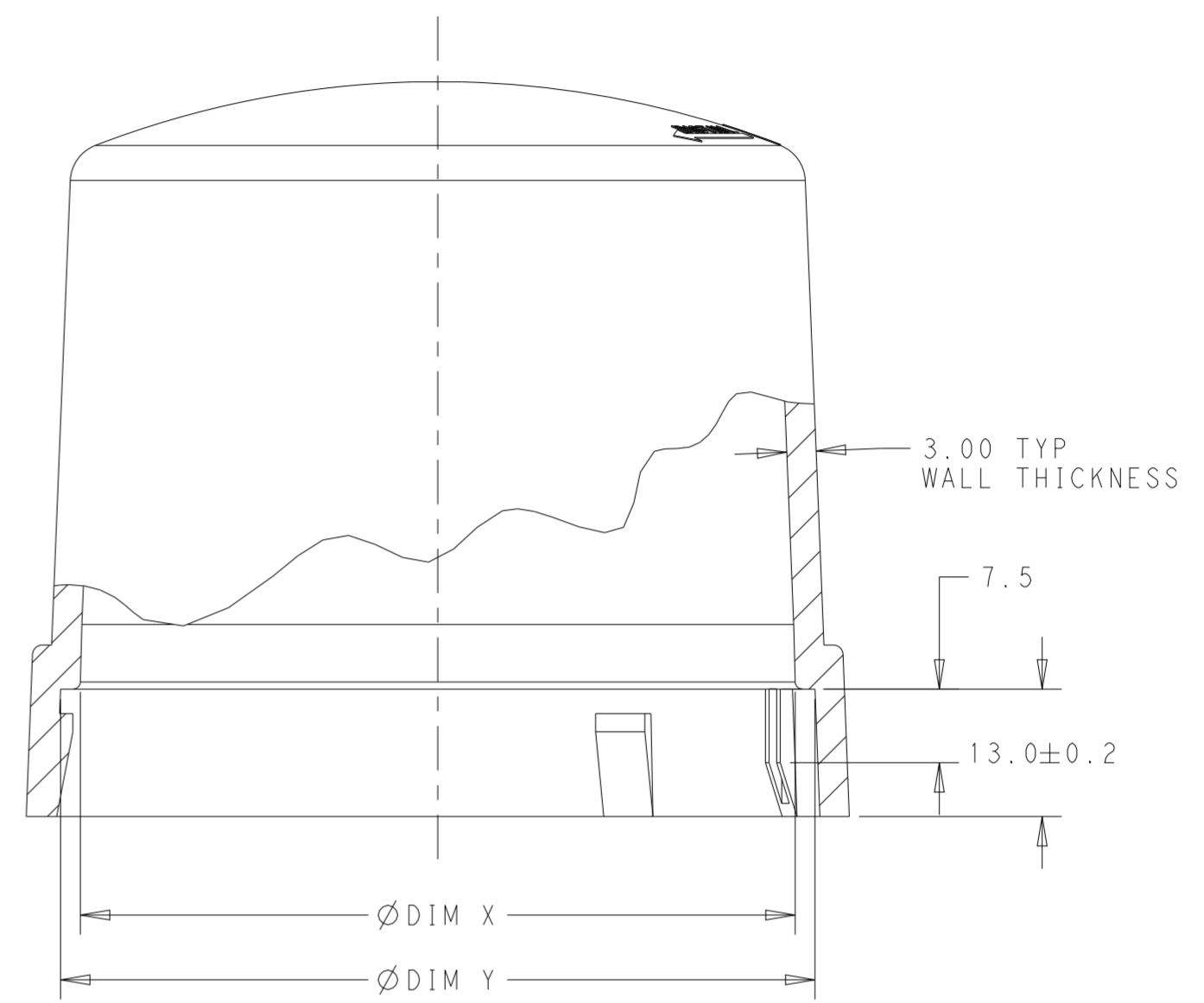
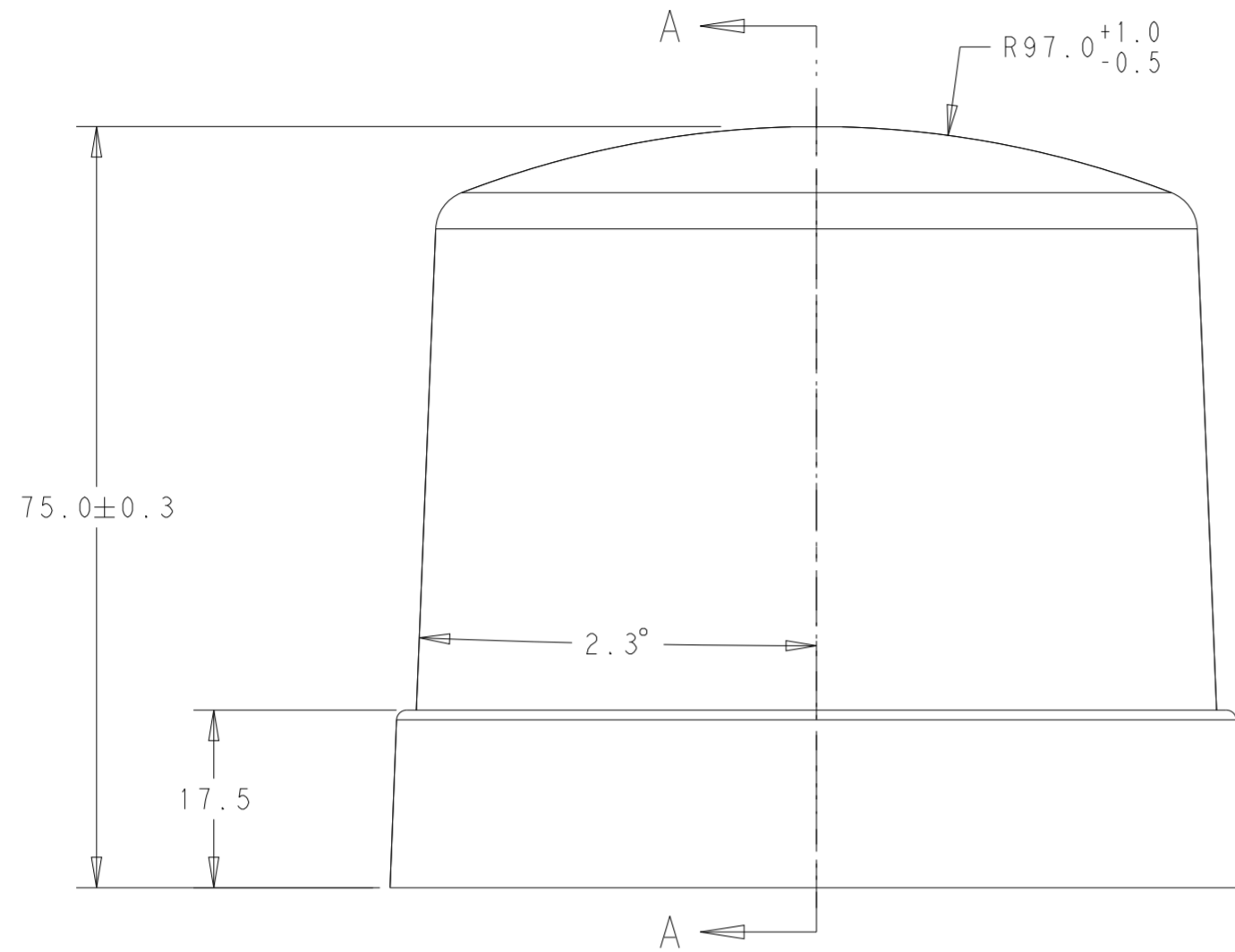
THIS DRAWING IS A CONTROLLED DOCUMENT.

DWN C DAILY 31OCT2016	TE Connectivity
CHK E HOWARD 31OCT2016	
DIMENSIONS: mm	TOLERANCES UNLESS OTHERWISE SPECIFIED:
0 PLC ±	1 PLC ±0.3
2 PLC ±0.25	3 PLC ±
4 PLC ±	ANGLES ±3°
MATERIAL	FINISH
-	-
-	-

APVD	NAME
-	COVER, LIGHT CONTROLLER
PRODUCT SPEC	76mm DIA, 75mm TALL
APPLICATION SPEC	-
WEIGHT	SIZE
-	A2
CUSTOMER DRAWING	CAGE CODE
-	-
SCALE	DRAWING NO
3:2	G-2311664
SHEET	RESTRICTED TO
1 OF 4	-
REV	B3

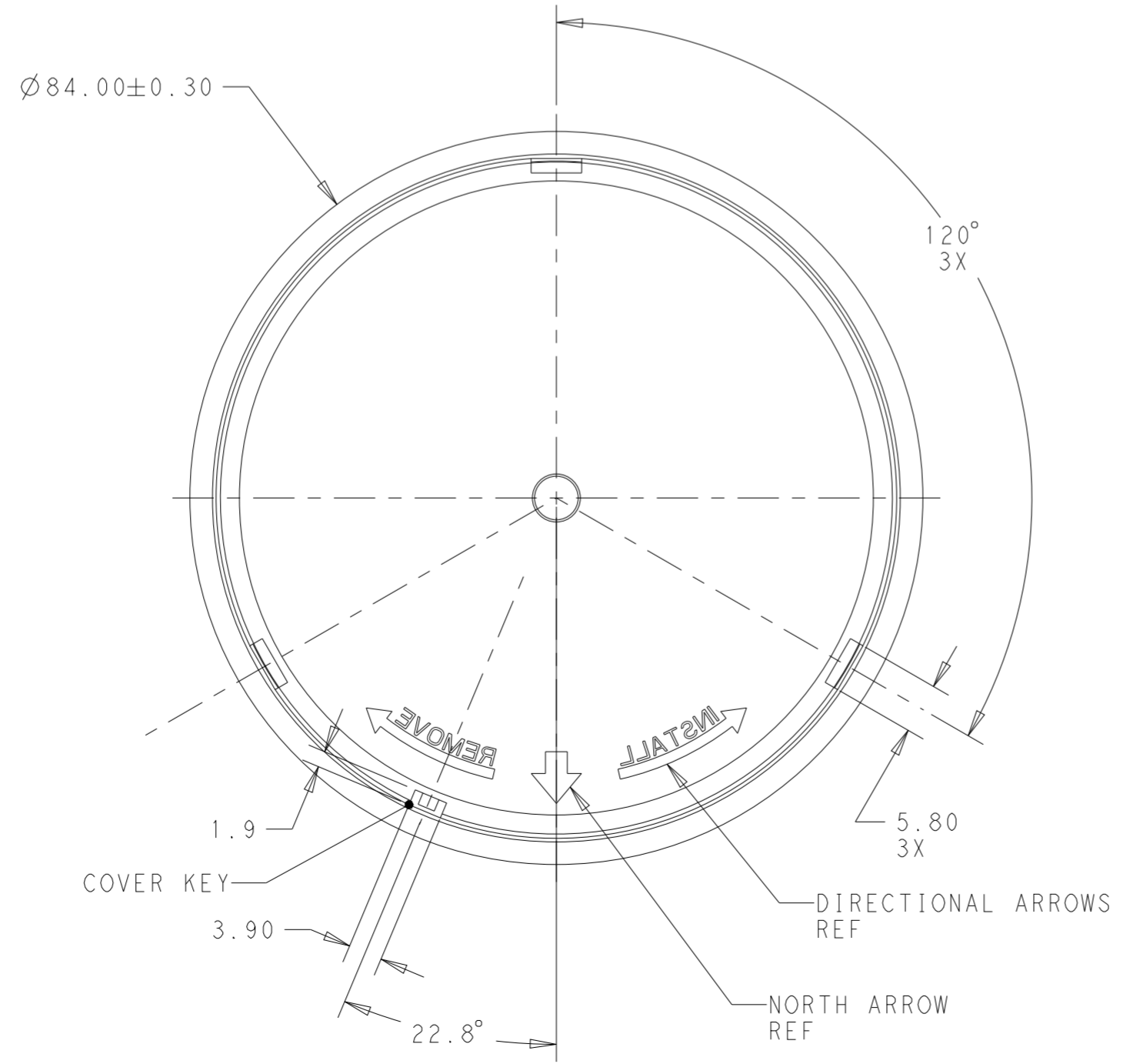
THIS DRAWING IS UNPUBLISHED. RELEASED FOR PUBLICATION 20
 © COPYRIGHT 20 BY - ALL RIGHTS RESERVED.

REVISIONS				
P	LTR	DESCRIPTION	DATE	APVD
-	-	SEE SHEET 1	-	-



SECTION A-A

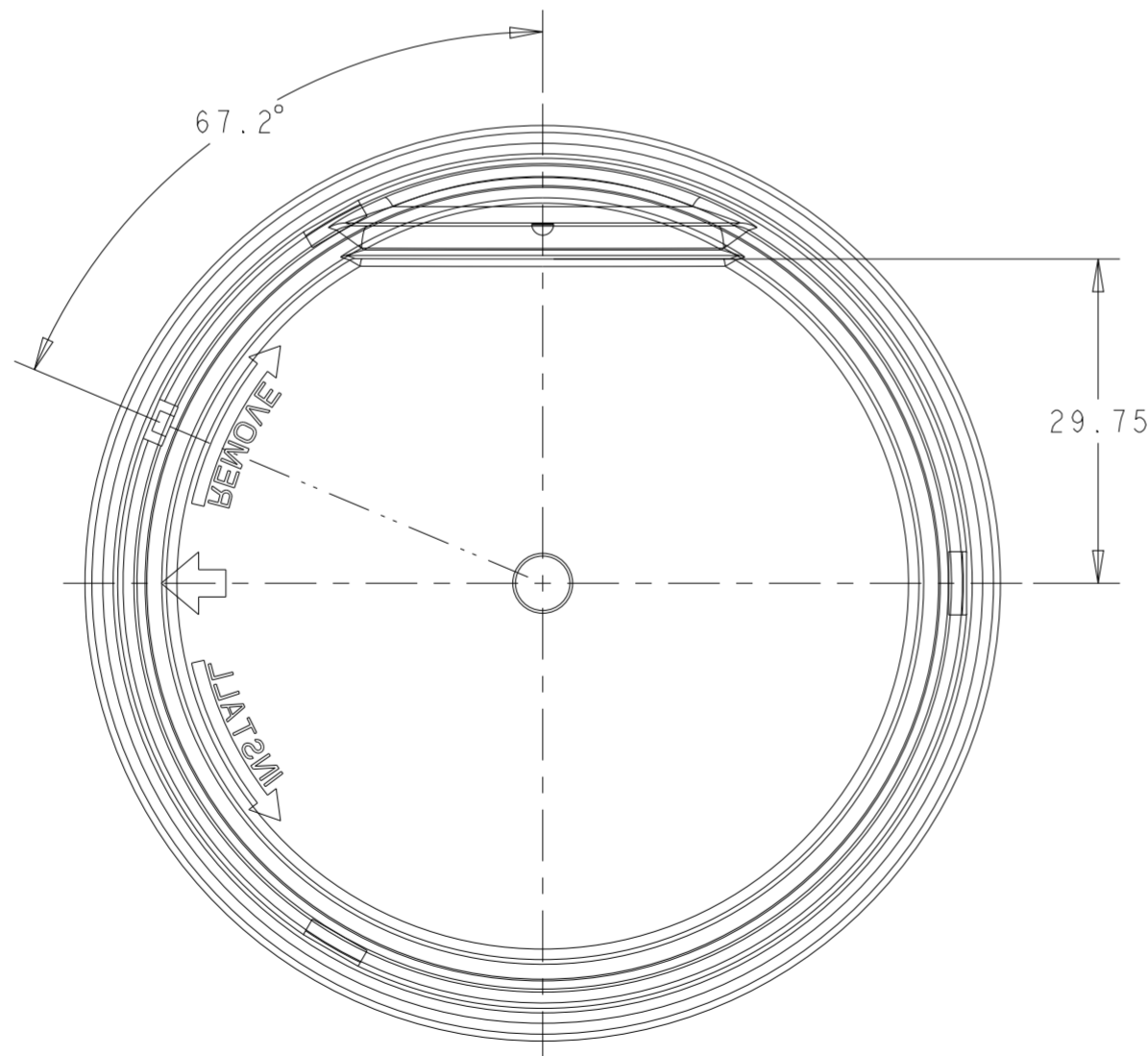
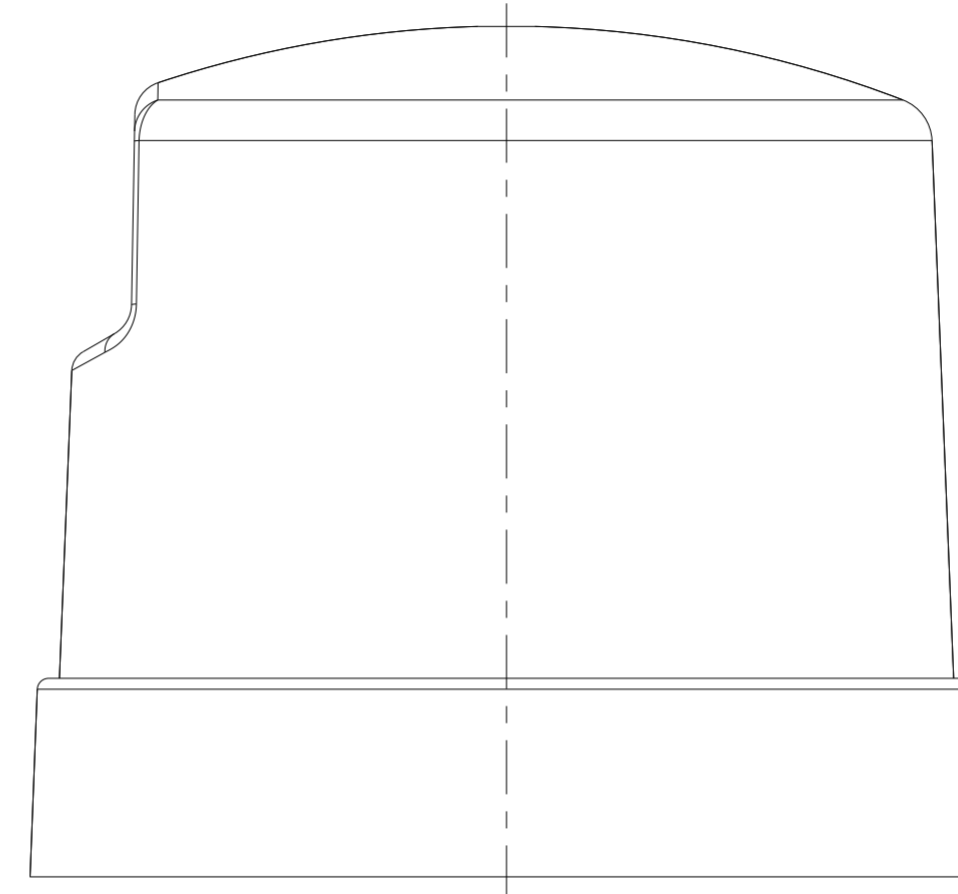
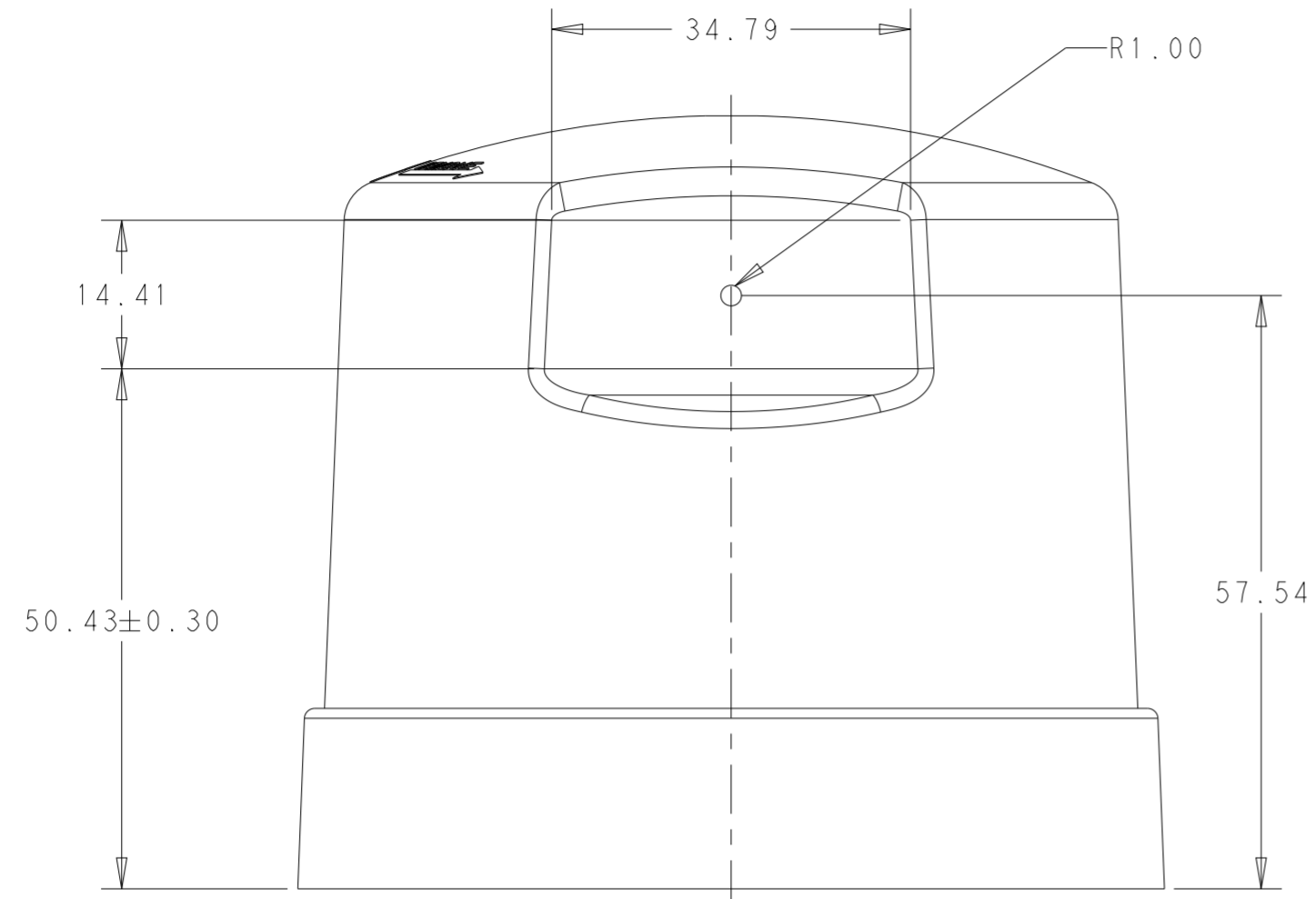
~~2311664-1, 2311664-2 AND 1-2311664-1~~
 SHOWN



THIS DRAWING IS A CONTROLLED DOCUMENT.		DWN C. DAILY 31OCT2016	STE TE Connectivity											
		CHK E. HOWARD 31OCT2016												
DIMENSIONS: mm		TOLERANCES UNLESS OTHERWISE SPECIFIED:		APVD -										
<table border="1"> <tr><td>0 PLC</td><td>±</td></tr> <tr><td>1 PLC</td><td>±0.3</td></tr> <tr><td>2 PLC</td><td>±0.25</td></tr> <tr><td>3 PLC</td><td>±</td></tr> <tr><td>4 PLC</td><td>±</td></tr> </table>		0 PLC	±	1 PLC	±0.3	2 PLC	±0.25	3 PLC	±	4 PLC	±	ANGLES ±3°		FINISH -
0 PLC	±													
1 PLC	±0.3													
2 PLC	±0.25													
3 PLC	±													
4 PLC	±													
MATERIAL -		PRODUCT SPEC -		APPLICATION SPEC -										
		WEIGHT -		NAME COVER, LIGHT CONTROLLER 76mm DIA, 75mm TALL										
		SIZE A2	CAGE CODE -	DRAWING NO C-2311664										
		CUSTOMER DRAWING		RESTRICTED TO -										
		SCALE 3:2	SHEET 2 OF 4	REV B3										

THIS DRAWING IS UNPUBLISHED. RELEASED FOR PUBLICATION 20
 © COPYRIGHT 20 BY - ALL RIGHTS RESERVED.

REVISIONS				
P	LTR	DESCRIPTION	DATE	APVD
-	-	SEE SHEET 1	-	-

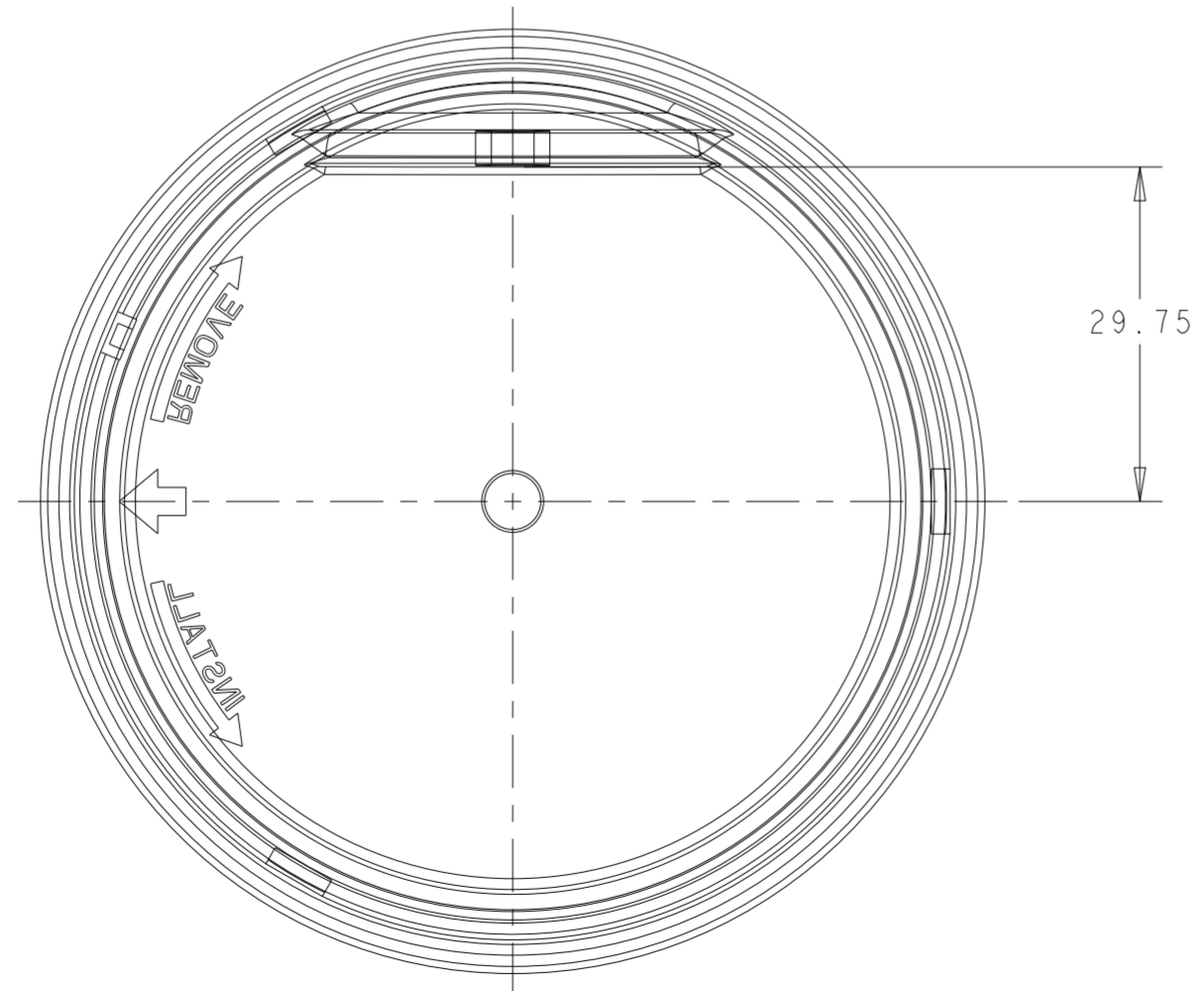
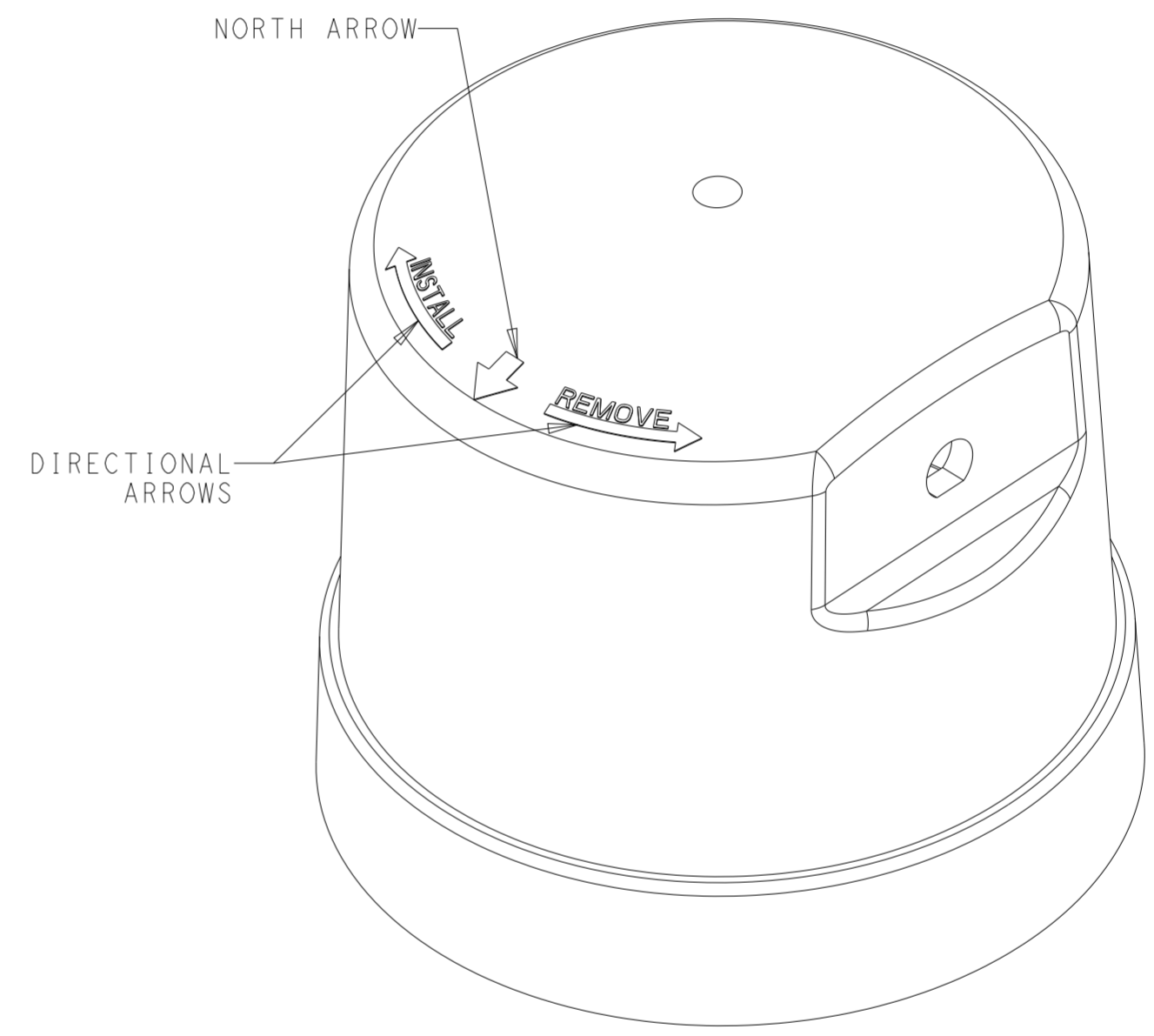
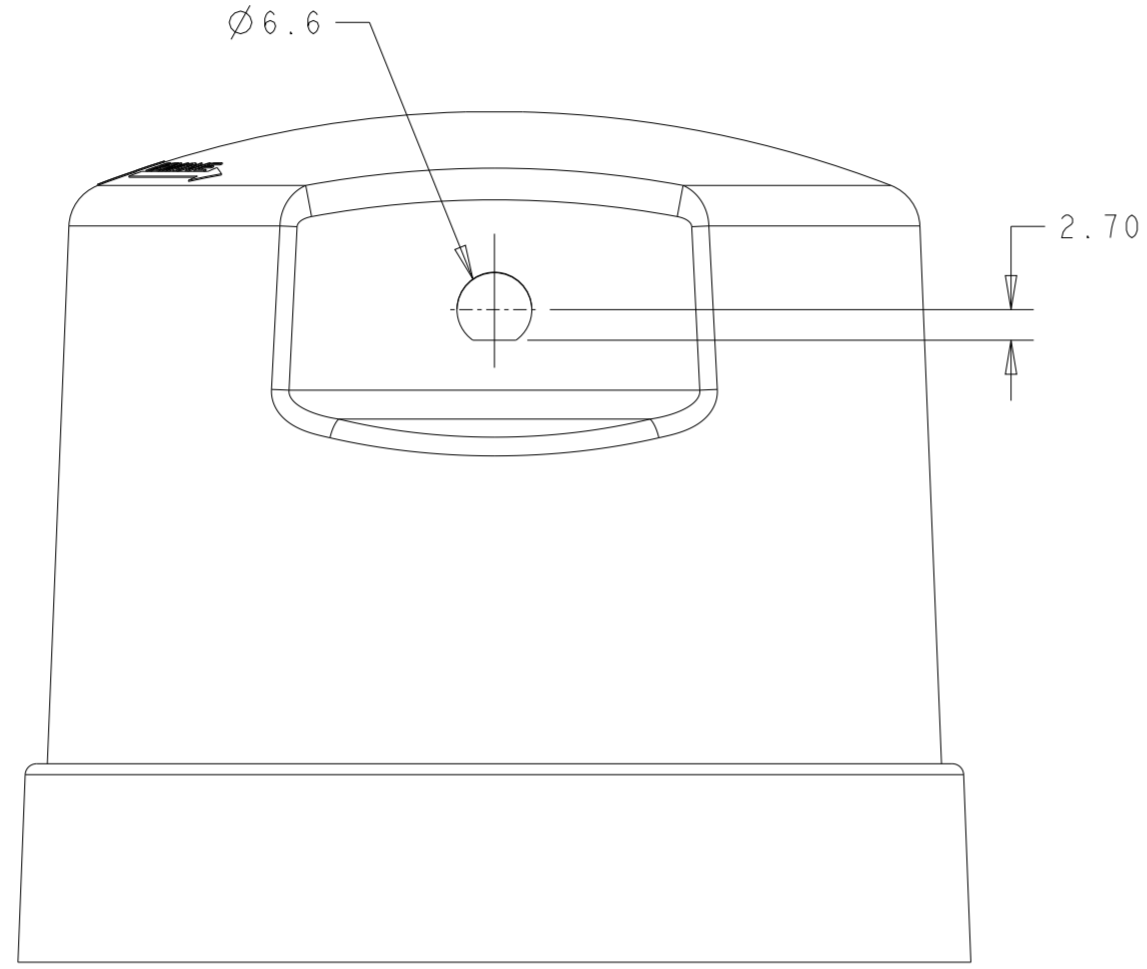


~~2-2311664-1 AND 3-2311664-1~~
 SAME AS 2311664-1
 EXCEPT AS SHOWN

THIS DRAWING IS A CONTROLLED DOCUMENT.		DWN C. DAILY 31OCT2016	STE TE Connectivity	
		CHK E. HOWARD 31OCT2016		
DIMENSIONS:	TOLERANCES UNLESS OTHERWISE SPECIFIED:	APVD -	NAME COVER, LIGHT CONTROLLER 76mm DIA, 75mm TALL	
mm	0 PLC ± 1 PLC ±0.3 2 PLC ±0.25 3 PLC ± 4 PLC ±	PRODUCT SPEC -	SIZE A2	
MATERIAL	ANGLES ±3° FINISH	APPLICATION SPEC -	CAGE CODE -	DRAWING NO C-2311664
-	-	WEIGHT -	RESTRICTED TO -	SCALE 3:2
-	-	CUSTOMER DRAWING	SHEET 3 OF 4	REV B3

THIS DRAWING IS UNPUBLISHED. RELEASED FOR PUBLICATION 20
 © COPYRIGHT 20 BY - ALL RIGHTS RESERVED.

REVISIONS				
P	LTR	DESCRIPTION	DATE	APVD
-	-	SEE SHEET 1	-	-



~~4-2311664-1 AND 5-2311664-1~~
 SAME AS
 2311664-1 AND ~~1-2311664-1~~
 EXCEPT AS SHOWN

THIS DRAWING IS A CONTROLLED DOCUMENT.		DWN C. DAILY 31OCT2016	STE TE Connectivity	
		CHK E. HOWARD 31OCT2016		
DIMENSIONS:		APVD -	NAME COVER, LIGHT CONTROLLER 76mm DIA, 75mm TALL	
mm	TOLERANCES UNLESS OTHERWISE SPECIFIED:	PRODUCT SPEC -	SIZE A2	
	0 PLC \pm	APPLICATION SPEC -	CAGE CODE -	DRAWING NO C-2311664
	1 PLC ± 0.3	WEIGHT -	RESTRICTED TO -	SCALE 3:2
	2 PLC ± 0.25	CUSTOMER DRAWING	SHEET 4 OF 4	REV B3
	3 PLC \pm			
	4 PLC \pm			
	ANGLES $\pm 3^\circ$			
MATERIAL	FINISH			