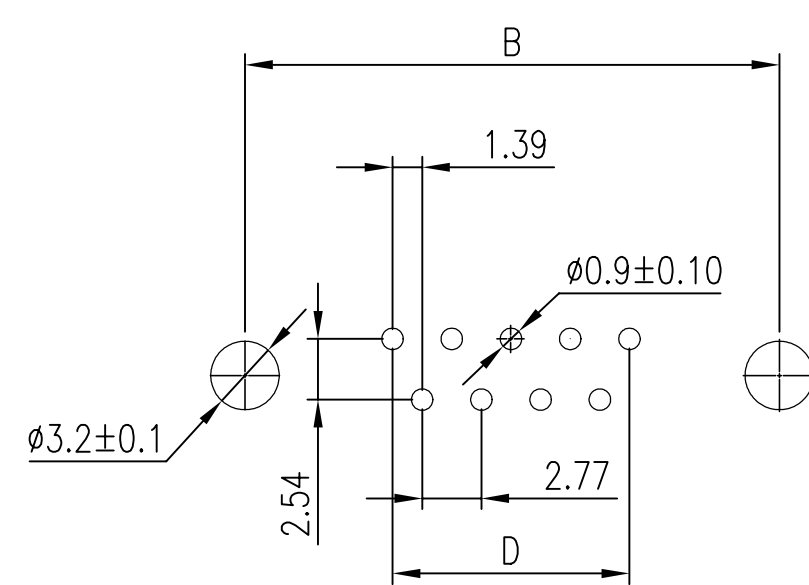
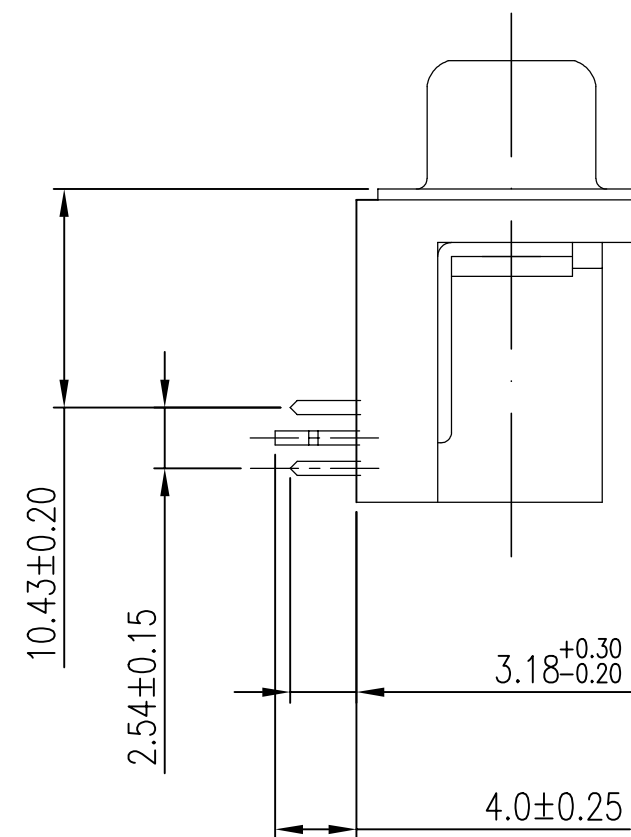
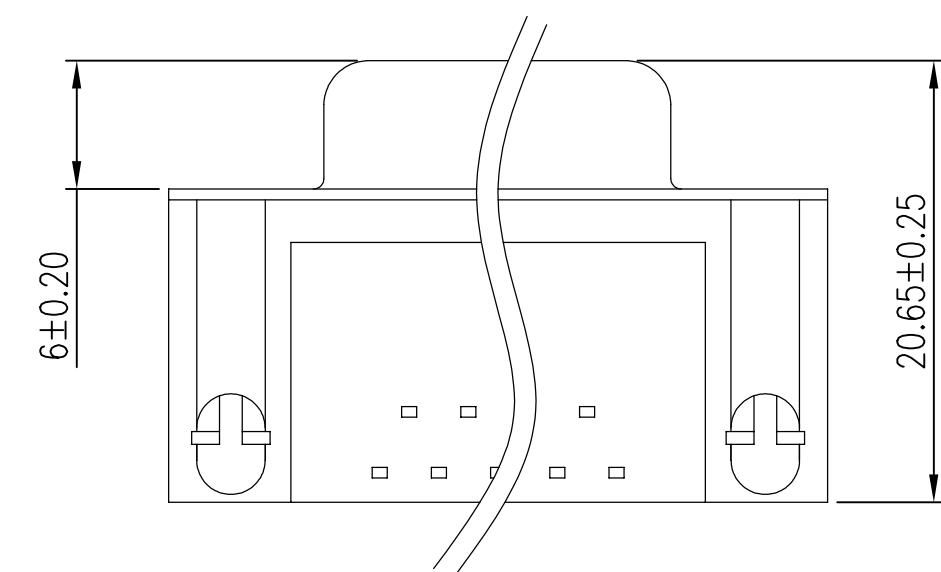
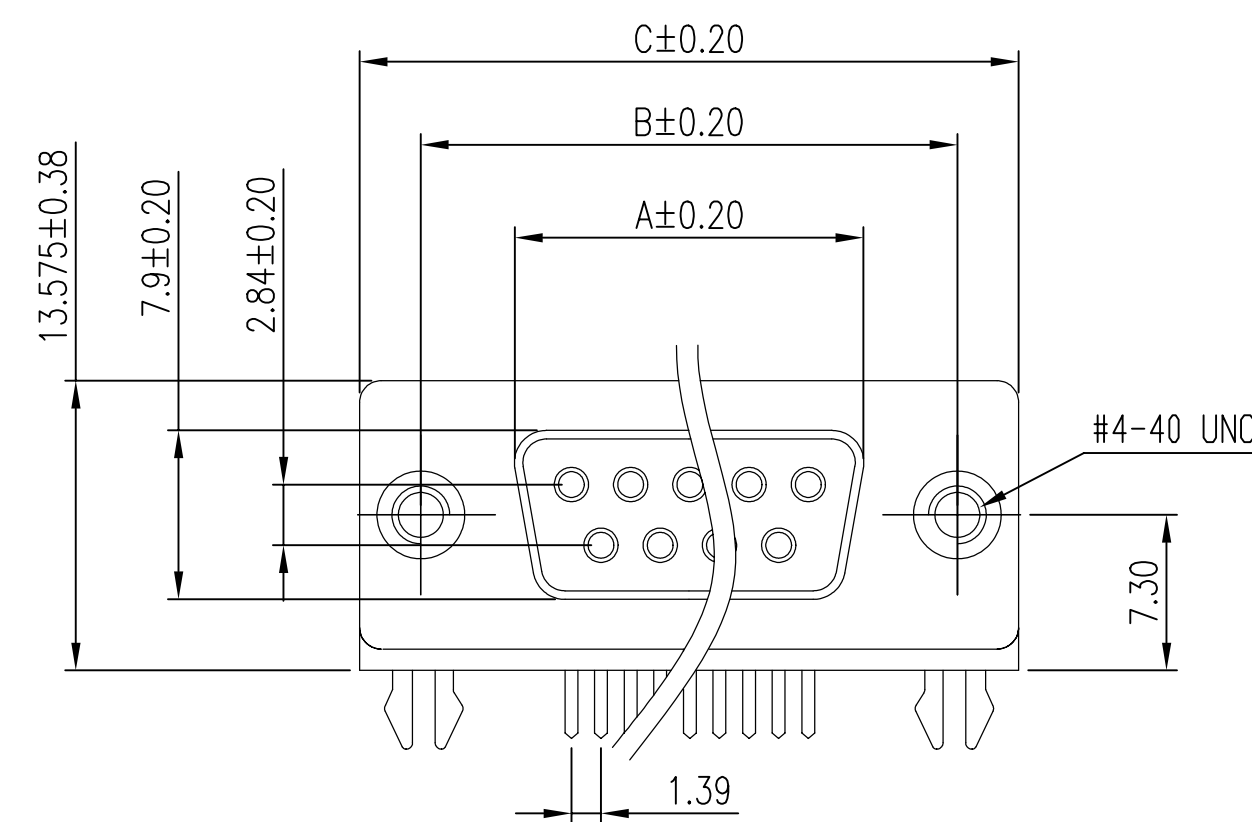


REVISIONS					
P	LTR	DESCRIPTION	DATE	DWN	APVD
H1		REVISED PER ECN-26-381559	24DEC2025	AP	SKN

PART NUMBER	No. of Contact	A ±0.20	B ±0.20	C ±0.20	D
2301844-1	09	16.34	24.99	30.81	11.08



P.C.B LAYOUT

NOTE:

- MATERIAL:  
 HOUSING: PBT WITH 20% GF UL 94 V-0, BLACK COLOR  
 CONTACTS: PHOSPHOR BRONZE.  
 SHELL: STEEL  
 GROUNDING BRACKET: BRASS  
 RIVETED INSERT: BRASS  
 SCREWLOCK: BRASS
- FINISH:  
 CONTACTS: GOLD PLATED 0.36µm [15µ"] MIN OR GOLD FLASH OVER PALLADIUM NICKEL PLATE 0.36µm [15µ"] MIN ON CONTACT AREA.  
 2.54 µm [100µ"] MATTE TIN ON SOLDER TAILS  
 1.27 µm [50 µ"] NICKEL UNDERPLATE OVERALL  
 SHELL: 2.54 µm [100µ"] NICKEL  
 RIVET: 1.27 µm [50 µ"] NICKEL  
 SCREWLOCK: 1.27 µm [50 µ"] NICKEL  
 BOARDLOCK: 1.27µm [50µ"] MIN NICKEL UNDERPLATE.  
 2.54µm [100µ"] MIN MATTE TIN PLATE
- WAVE SOLDER CAPABLE TO 265°C PER TE TEST SPEC. 109-202, CONDITION B.

2301844

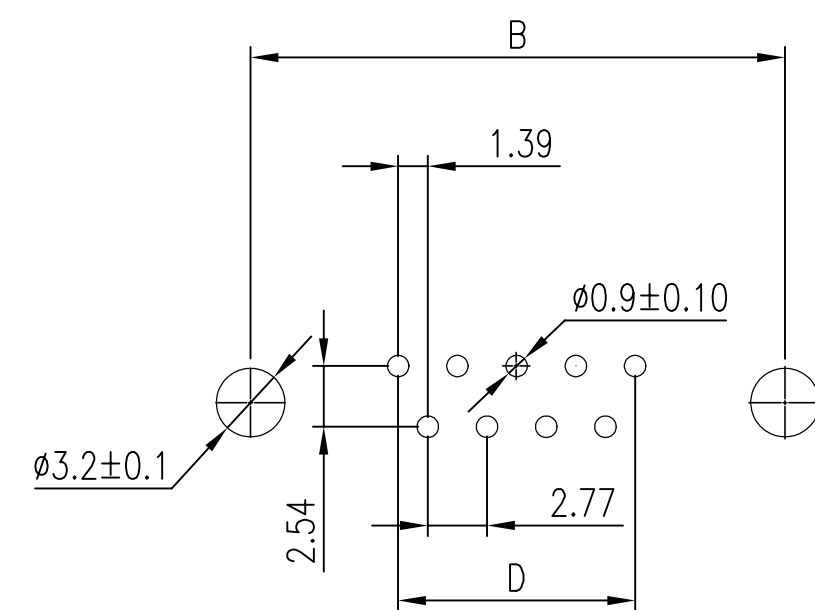
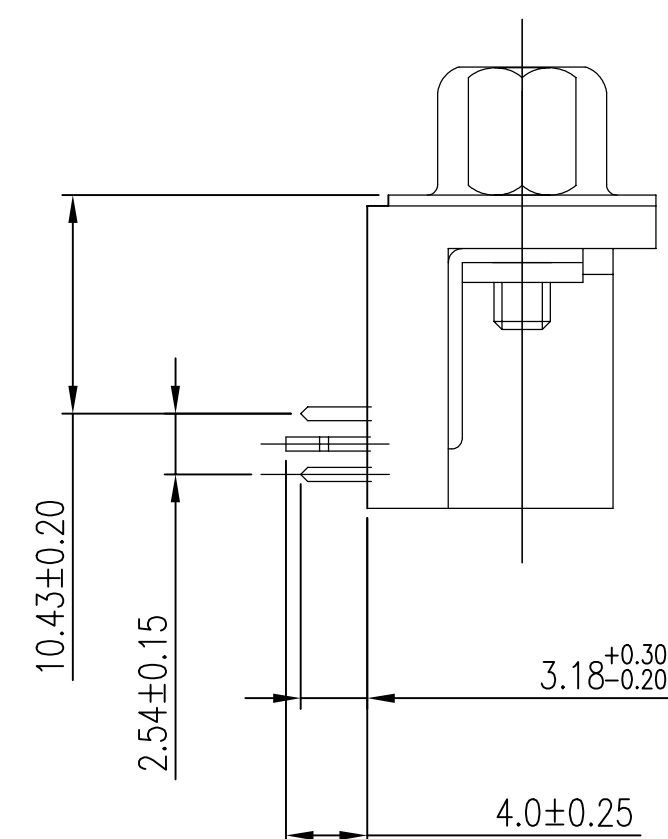
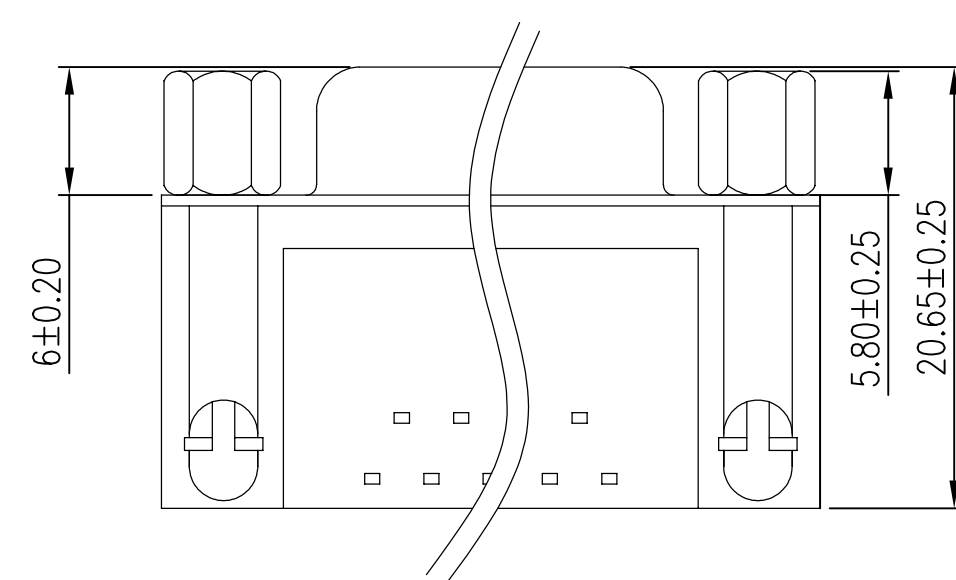
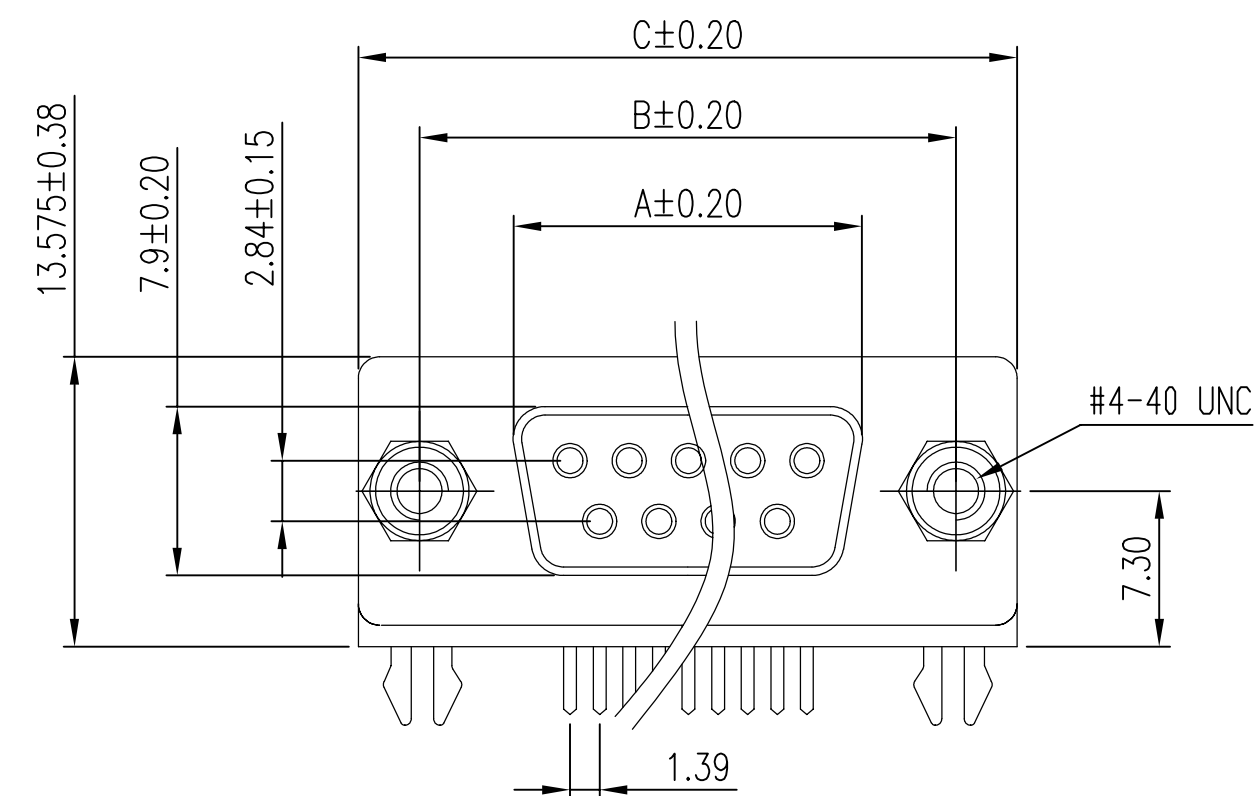
THIS DRAWING IS A CONTROLLED DOCUMENT.		DWN	AJITH PAI	07FEB2017
DIMENSIONS: mm		CHK	DAN GORENC	07FEB2017
TOLERANCES UNLESS OTHERWISE SPECIFIED:		APVD		07FEB2017
0 PLC ± -		PRODUCT SPEC	108-130013	
1 PLC ± 0.38		APPLICATION SPEC		
2 PLC ± 0.25				
3 PLC ± 0.10				
4 PLC ± -				
ANGLES ± 2°				
FINISH		WEIGHT	0	
		CUSTOMER DRAWING		

9W D SKT W B/L & 4-40 INSERTS			2301844-1
DESCRIPTION			TE PART NO
<b>TE</b> TE Connectivity Ltd.			
9 WAY D-SUB SOCKET WITH BOARD LOCK			
SIZE	CAGE CODE	DRAWING NO	RESTRICTED TO
A2	00779	C=2301844	-
SCALE		SHEET	REV
3:1		1 of 4	H1

REVISIONS

P	LTR	DESCRIPTION	DATE	DWN	APVD
-	-	SEE SHEET 1	-	-	-

PART NUMBER	No. of Contact	A ±0.20	B ±0.20	C ±0.20	D
2301844-2	09	16.34	24.99	30.81	11.08



P.C.B LAYOUT

2301844

9W D SKT W B/L & 4-40 S/LOCK	2301844-2
DESCRIPTION	TE PART NO

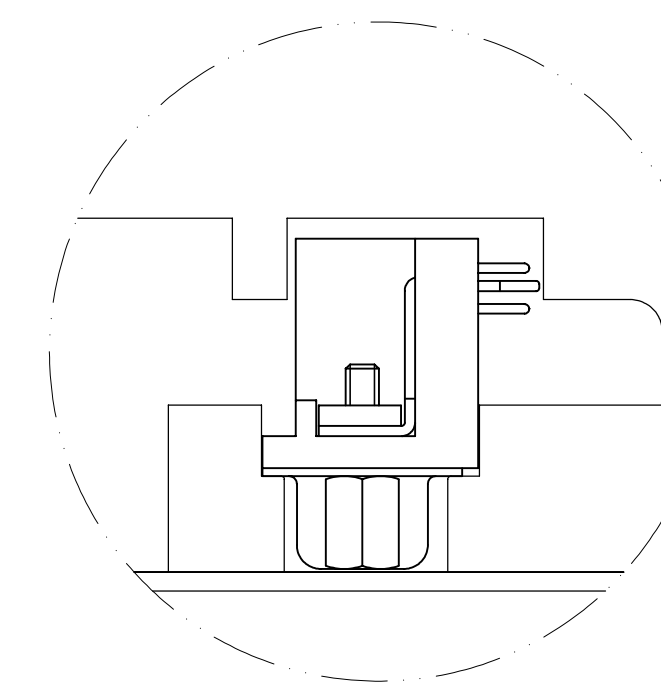
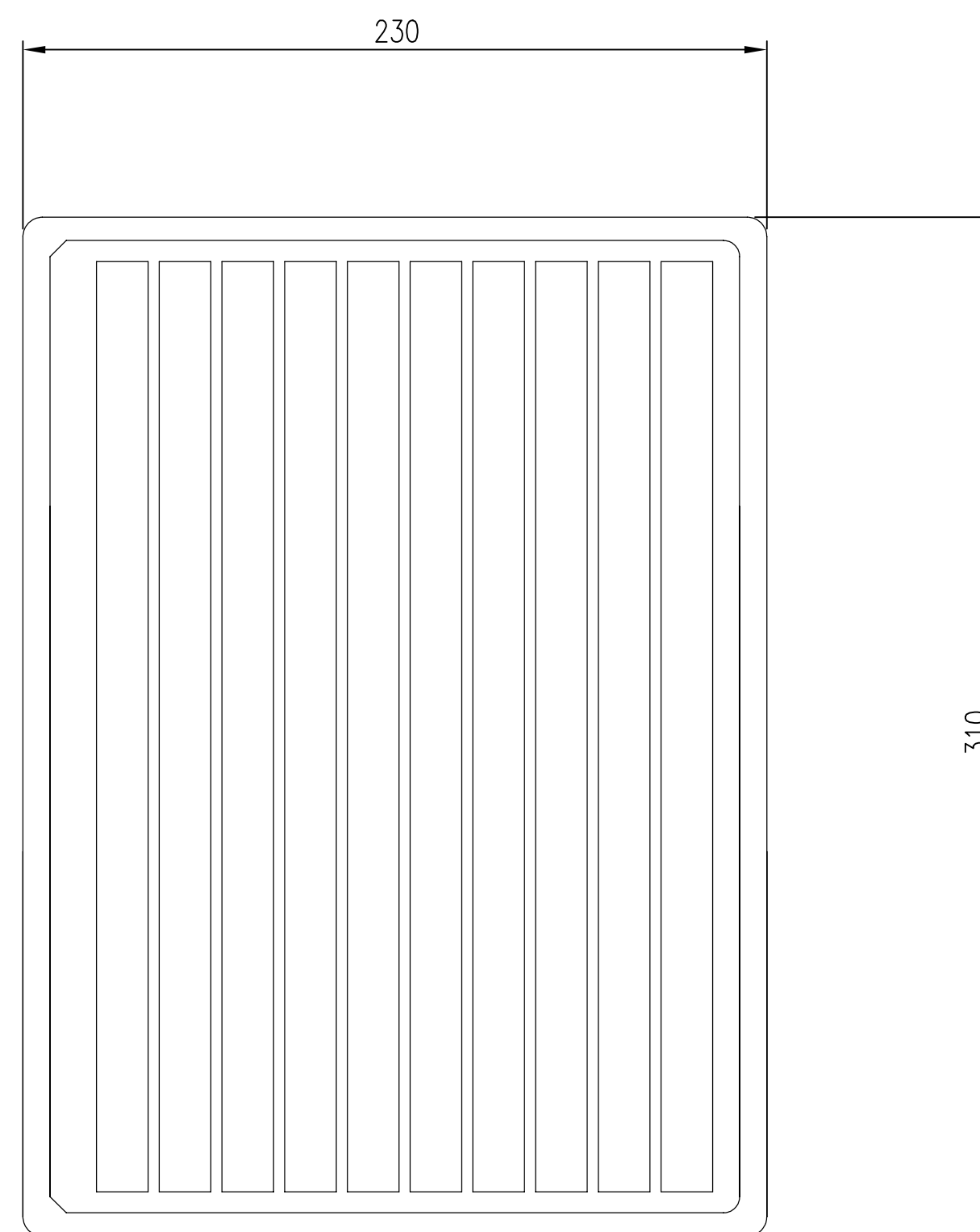
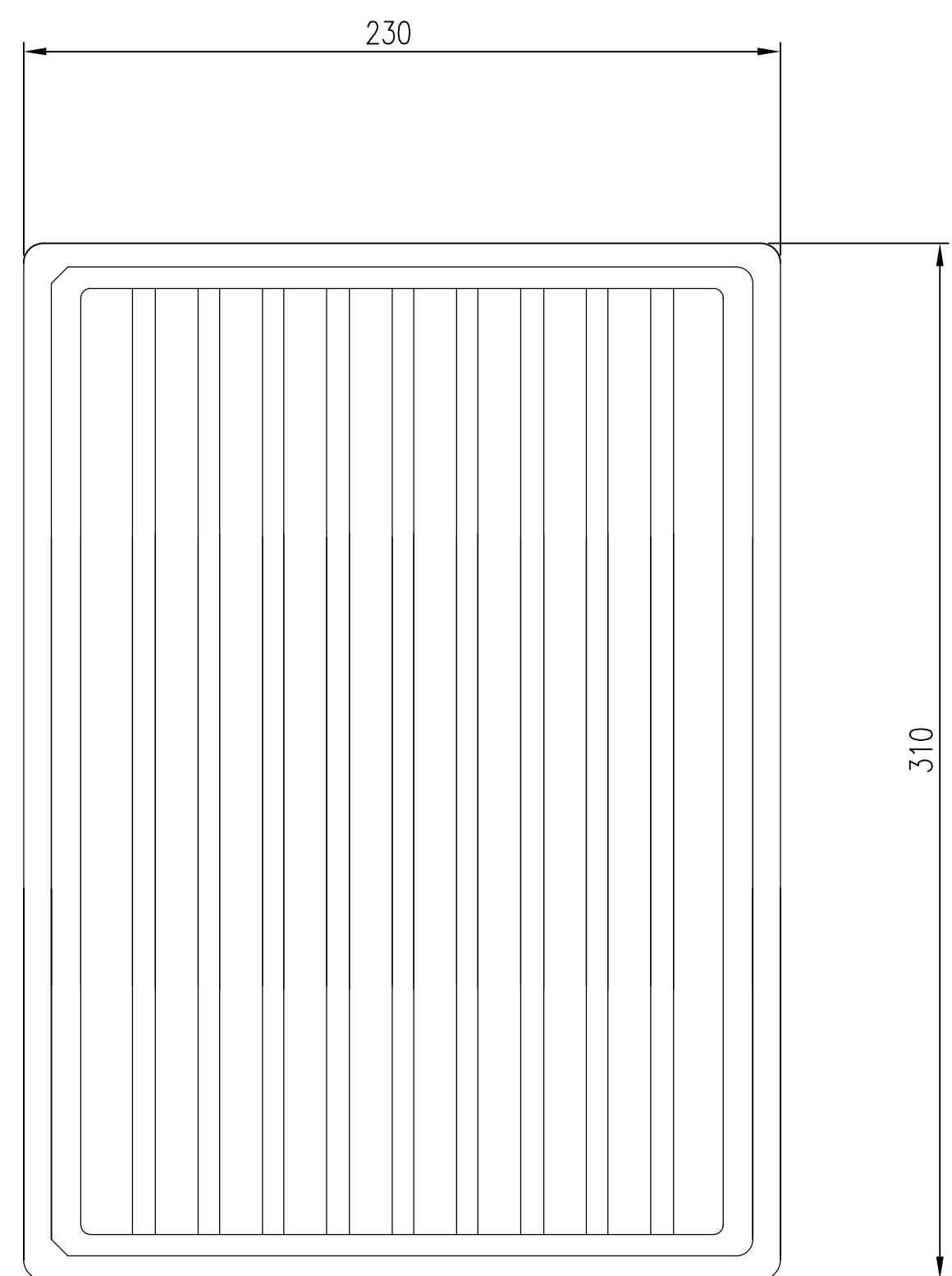
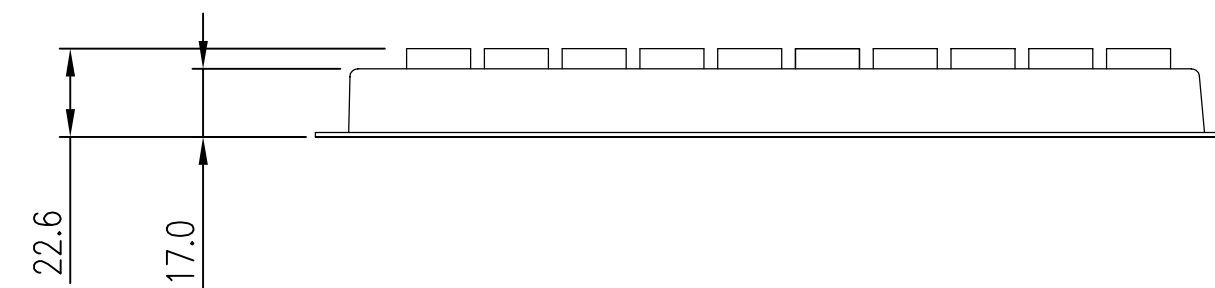
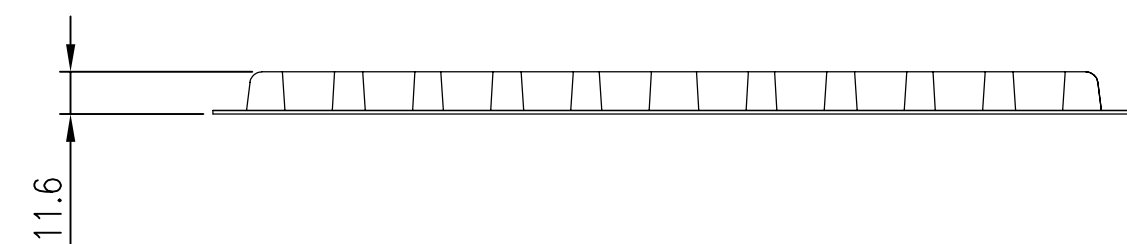


NAME			
9 WAY D-SUB SOCKET WITH BOARD LOCK			
SIZE	CAGE CODE	DRAWING NO	RESTRICTED TO
A2	00779	C=2301844	-
SCALE		SHEET	REV
3:1		2 of 4	H1

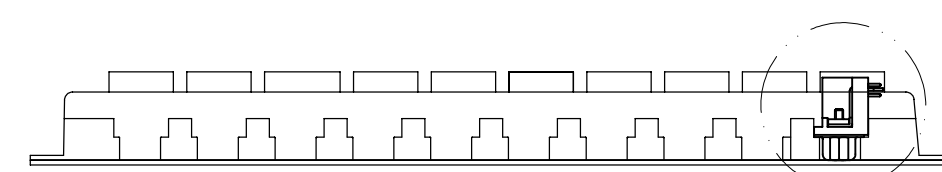
THIS DRAWING IS A CONTROLLED DOCUMENT.		DWN	07FEB2017
		CHK	07FEB2017
		APVD	07FEB2017
		PRODUCT SPEC	108-130013
		APPLICATION SPEC	-
		WEIGHT	0
CUSTOMER DRAWING		SCALE	3:1

DIMENSIONS:	TOLERANCES UNLESS OTHERWISE SPECIFIED:
mm	
	0 PLC ± -
	1 PLC ± 0.38
	2 PLC ± 0.25
	3 PLC ± 0.10
	4 PLC ± -
ANGLES	± -
MATERIAL	FINISH
-	-

REVISIONS					
P	LTR	DESCRIPTION	DATE	DWN	APVD
-	-	SEE SHEET 1	-	-	-



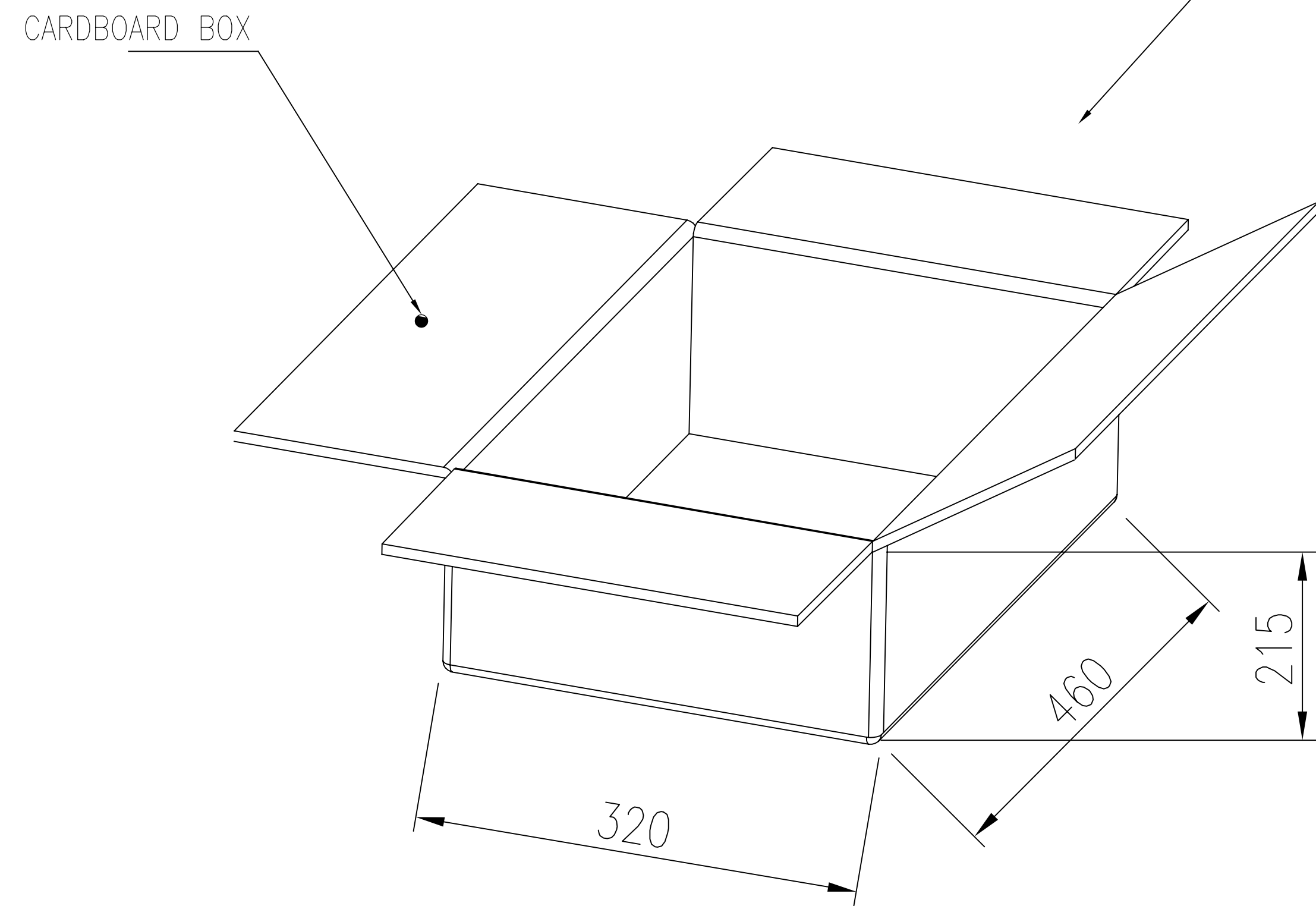
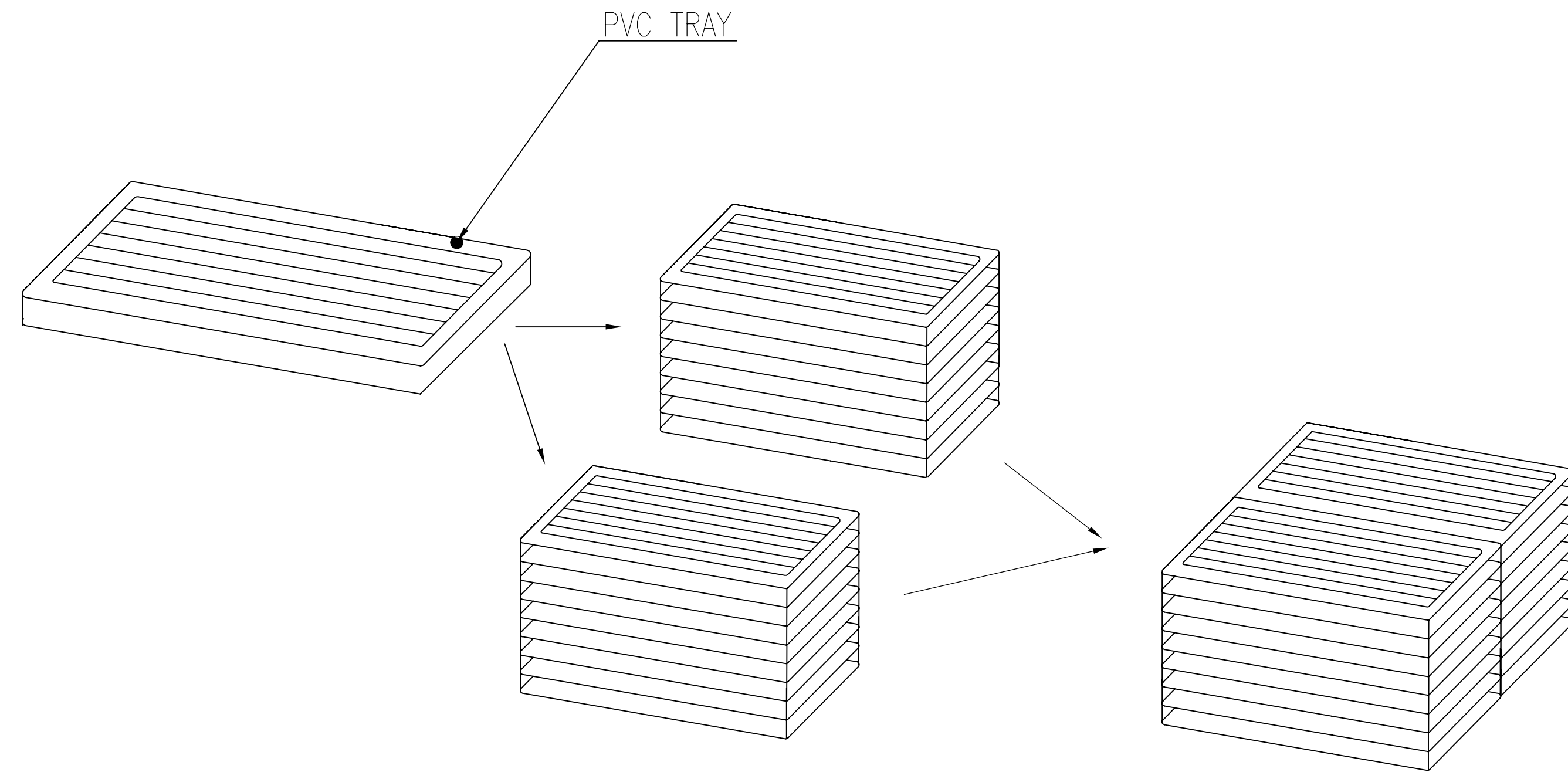
DETAIL A



DETAIL A

THIS DRAWING IS A CONTROLLED DOCUMENT.		DWN AJITH PAI 07FEB2017	TE Connectivity Ltd.		
DIMENSIONS: mm		CHK DAN GORENC 07FEB2017			
TOLERANCES UNLESS OTHERWISE SPECIFIED:		APVD - 07FEB2017	NAME 9 WAY D-SUB SOCKET WITH BOARD LOCK		
0 PLC ± - 1 PLC ± 0.38 2 PLC ± 0.25 3 PLC ± 0.10 4 PLC ± - ANGLES ± - FINISH -		PRODUCT SPEC 108-130013	SIZE A2	CAGE CODE 00779	DRAWING NO C=2301844
MATERIAL -		WEIGHT 0	RESTRICTED TO -		
CUSTOMER DRAWING			SCALE 3:1	SHEET 3 of 4	REV H1

REVISIONS					
P	LTR	DESCRIPTION	DATE	DWN	APVD
-	-	SEE SHEET 1	-	-	-



15.672	13.651	90	16	1440	2301844-2
13.080	11.059	90	16	1440	2301844-1
GROSS WEIGHT	NET WEIGHT	PCS/TRAY	TRAYS /CARTON	QUANTITY	PART NUMBER

THIS DRAWING IS A CONTROLLED DOCUMENT.		DWN AJITH PAI 07FEB2017	TE Connectivity Ltd.		
DIMENSIONS: mm		CHK DAN GORENC 07FEB2017			
TOLERANCES UNLESS OTHERWISE SPECIFIED:		APVD - 07FEB2017	NAME 9 WAY D-SUB SOCKET WITH BOARD LOCK		
0 PLC ± - 1 PLC ± 0.38 2 PLC ± 0.25 3 PLC ± 0.10 4 PLC ± - ANGLES ± -		PRODUCT SPEC 108-130013	SIZE A2	CAGE CODE 00779	DRAWING NO C=2301844
MATERIAL -		FINISH -	WEIGHT 0	RESTRICTED TO -	
CUSTOMER DRAWING			SCALE 1:1	SHEET 4 of 4	REV H1