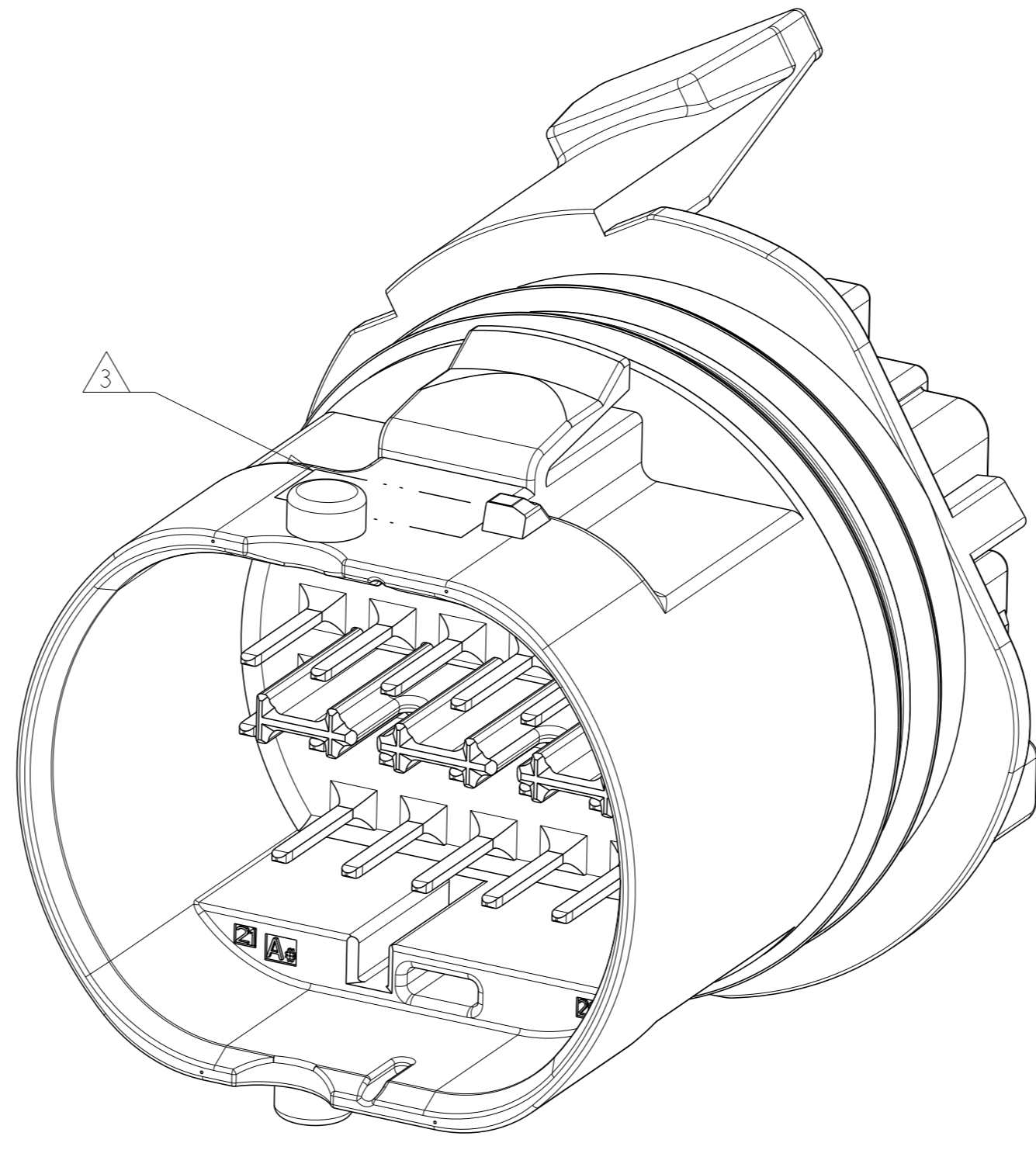
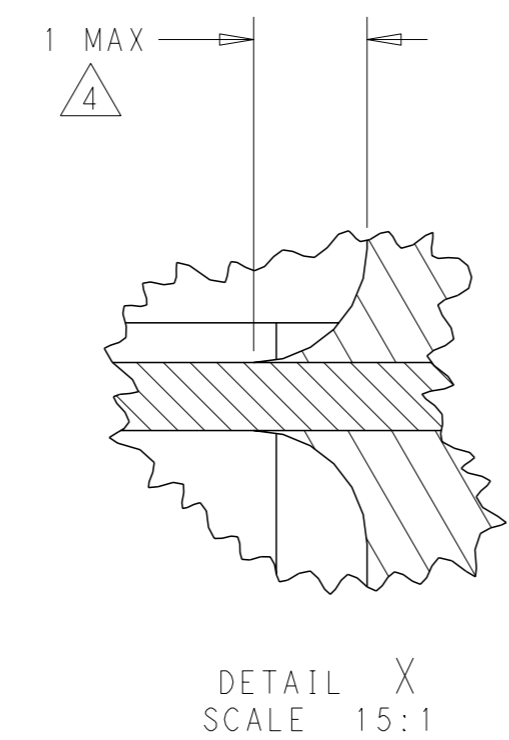
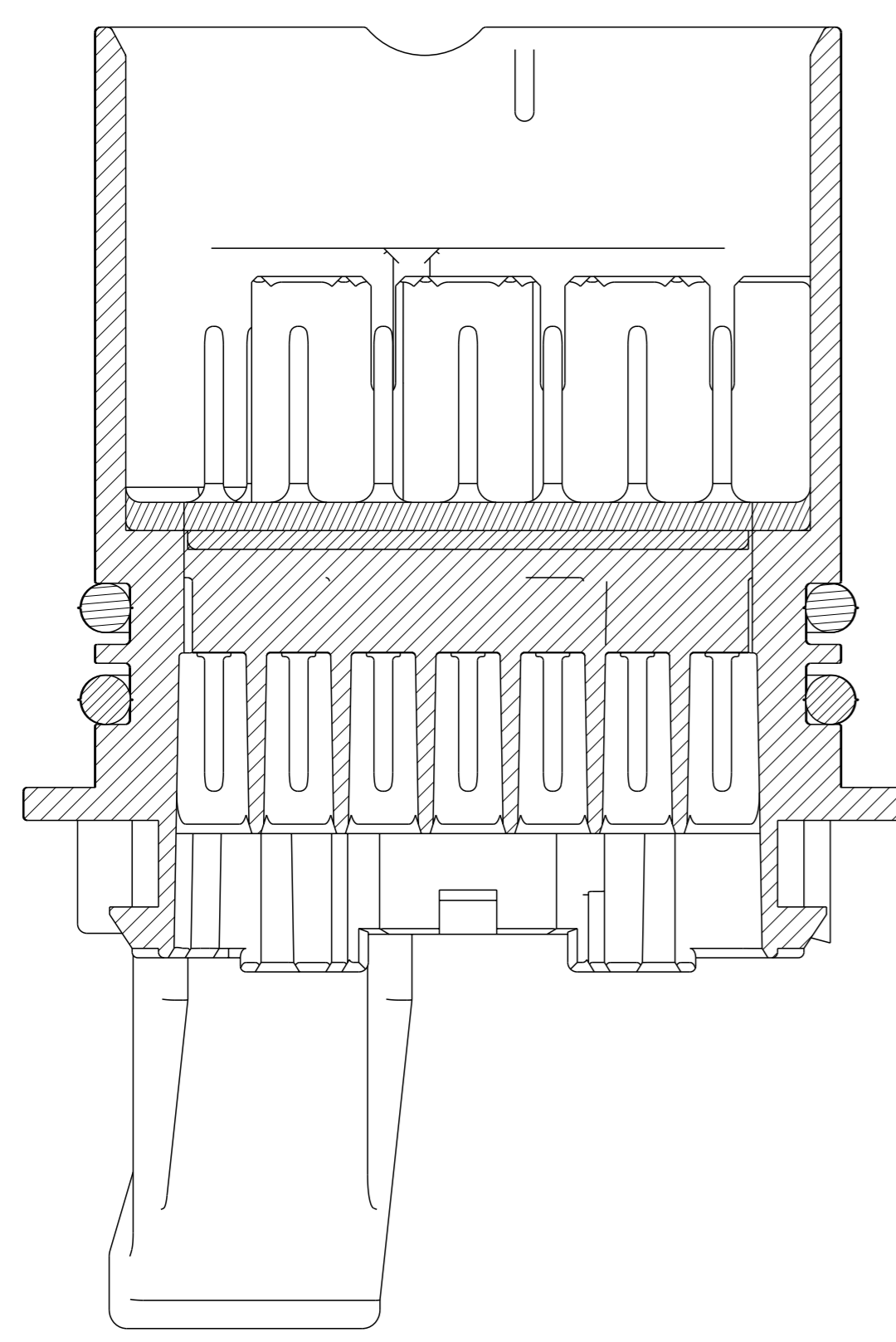
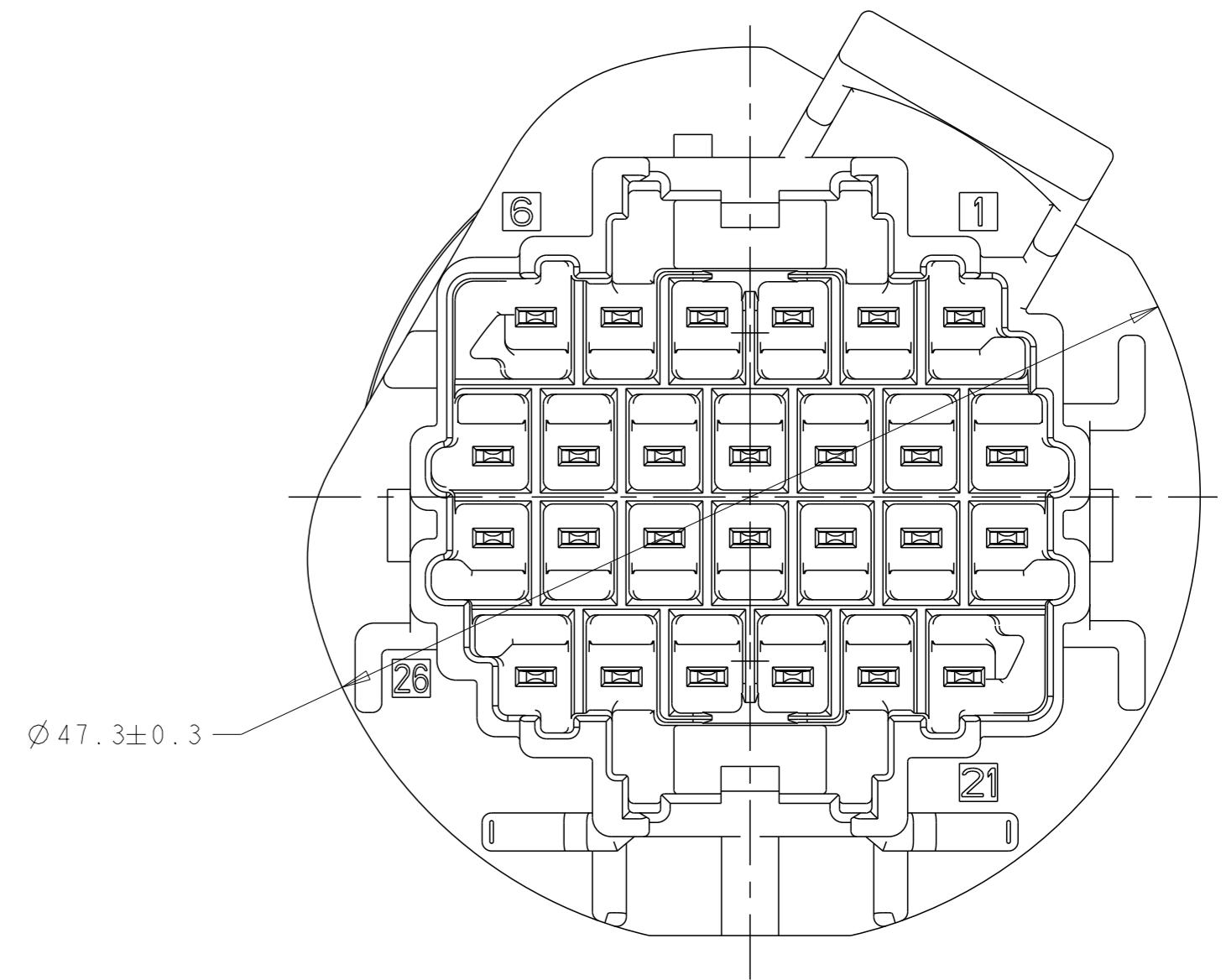
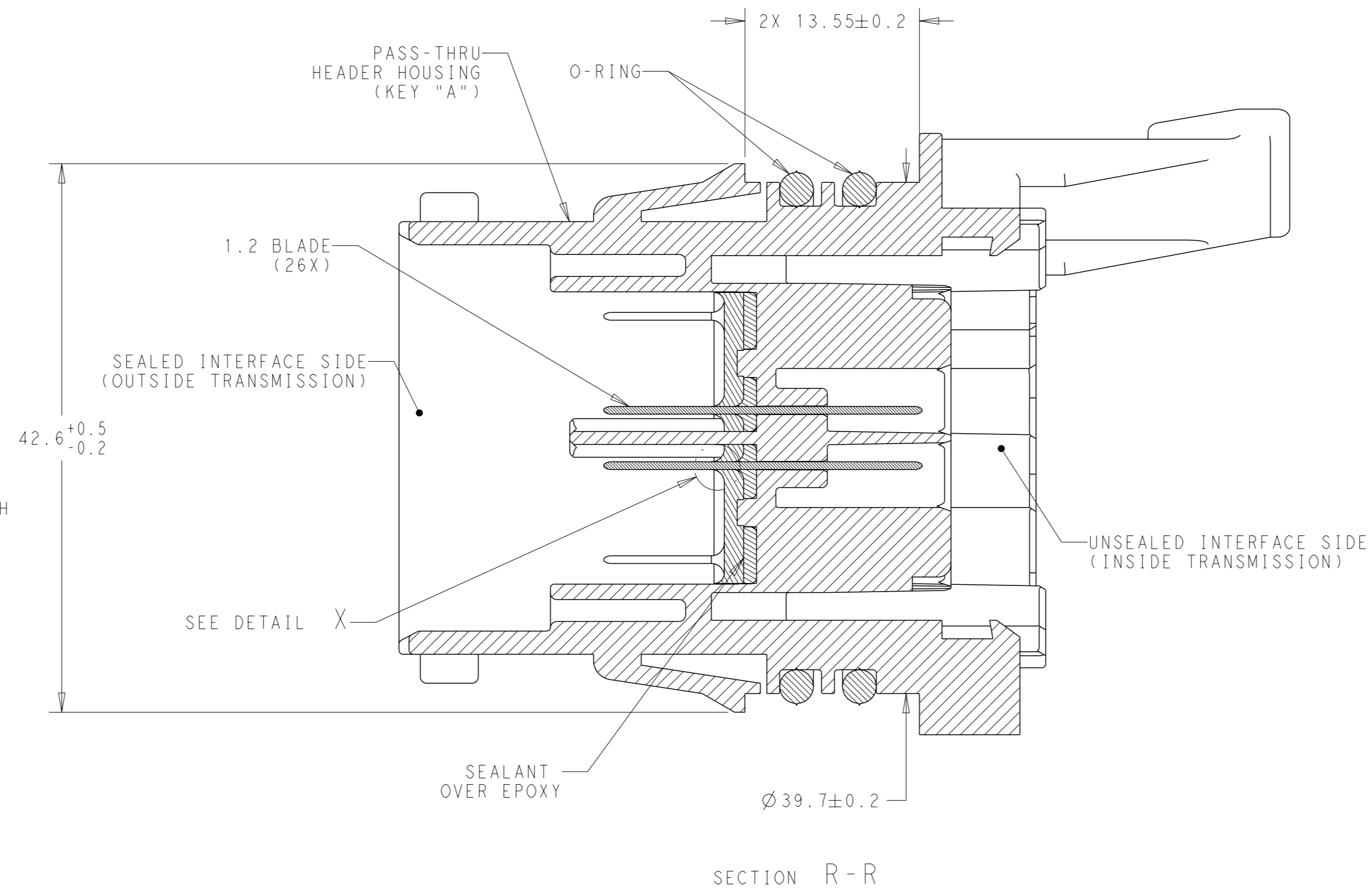
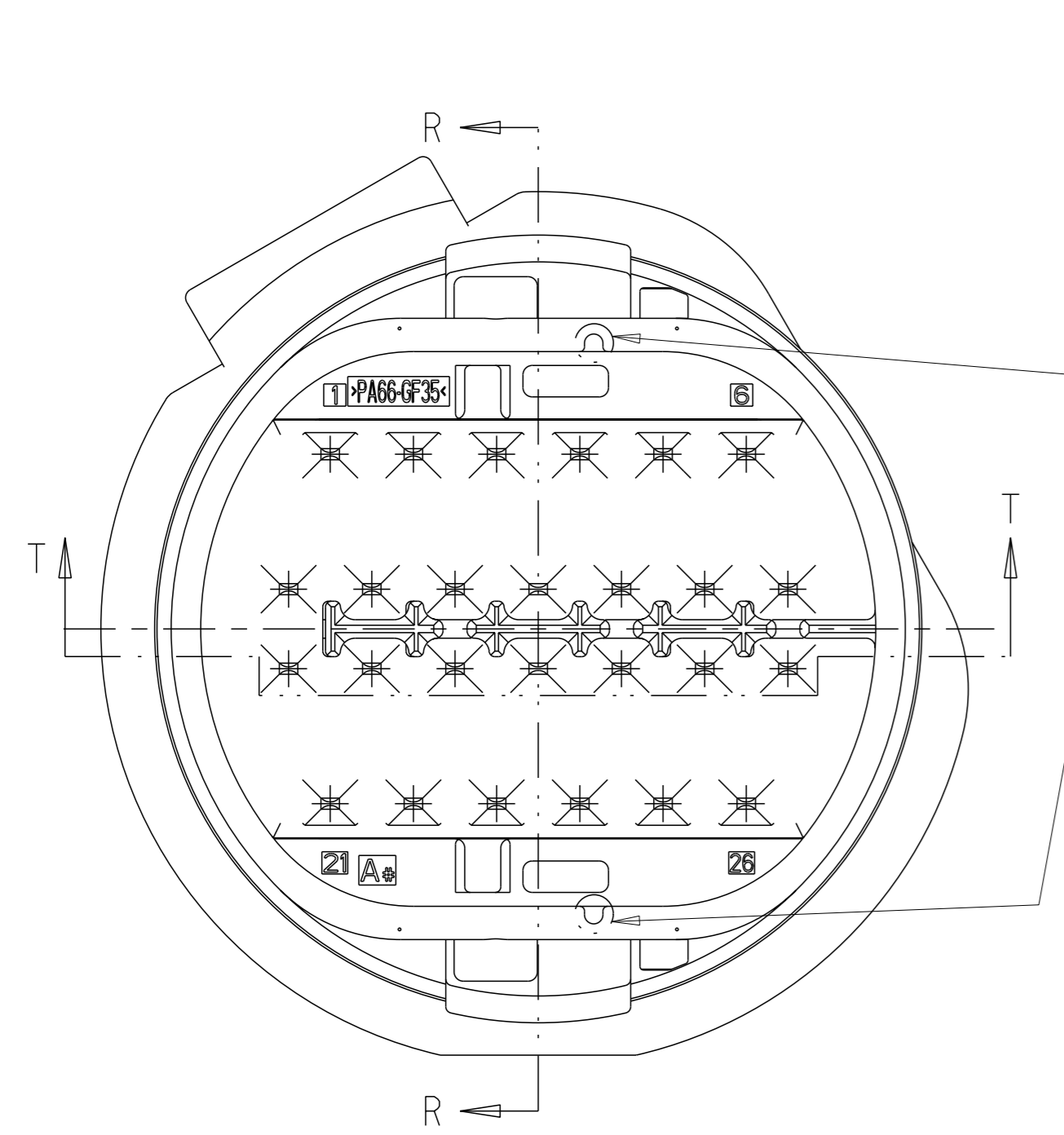


| REVISIONS |     |                           |           |         |
|-----------|-----|---------------------------|-----------|---------|
| P         | CL# | DESCRIPTION               | DATE      | APPV    |
| B         |     | REV PER ECO-16-007597     | 19MAY2016 | MBH AJH |
| B1        |     | REV PER ECO-16-013980     | 05OCT2016 | AJV AJV |
| B2        |     | REVISED PER ECN-18-003248 | 02MAR2018 | JMS GK  |
| E         |     | REVISED PER ECN-24-288230 | 08OCT2024 | ASM JRV |



- MATERIAL:  
 HEADER HOUSING: NYLON 6/6, 35% GLASS-FILLED  
 COLOR: NATURAL (BROWN)  
 SEALANT: EPOXY WITH LOCTITE 5031 LAYER ON TOP (OUTSIDE TRANSMISSION)  
 O-RING: ETHYLENE ACRYLATE ELASTOMER (AEM)  
 COLOR: BLACK  
 BLADE MATERIAL: COPPER ALLOY  
 BLADE FINISH (USCAR TYPE 3): SEALED INTERFACE: SILVER ON ALL EXCEPT SELECT GOLD CIRCUITS (SEE TABLE)  
 UNSEALED INTERFACE: SILVER/TIN ON ALL EXCEPT SELECT SILVER OR GOLD CIRCUITS (SEE TABLE)
  - THIS HEADER ASSEMBLY IS DESIGNED TO MATE WITH  
 SEALED PLUG ASSY: 2203973  
 UNSEALED PLUG ASSY: 2203990-1 & -2
- 3 TE ASSY PART NUMBER AND JULIAN DATE CODE (YY-DDD-HH-MM) TO BE PERMANENTLY MARKED ON THE CONNECTOR, LOCATED APPROX AS SHOWN
- 4 SEALANT MAY WICK UP THE TERMINALS, 1.0 MAX AS SHOWN

| 5,6       |           | NOT TOOLED | A | 5-2297721-7 |
|-----------|-----------|------------|---|-------------|
| 1-6,12,13 |           | TOOLED     | A | 5-2297721-6 |
| 5,6       |           | TOOLED     | A | 5-2297721-5 |
| 5,6       |           | TOOLED     | A | 5-2297721-1 |
| -         | 5,6       | TOOLED     | A | 1-2297721-1 |
| -         | 5,6       | NOT TOOLED | A | 2297721-7   |
| -         | 1-6,12,13 | TOOLED     | A | 2297721-6   |
| -         | 5,6       | TOOLED     | A | 2297721-5   |
| -         | 5,6       | NOT TOOLED | D | 2297721-4   |
| -         | 5,6       | NOT TOOLED | C | 2297721-3   |
| -         | 5,6       | NOT TOOLED | B | 2297721-2   |
| -         |           | OBSELETE   | A | 2297721-1   |

THIS DRAWING IS A CONTROLLED DOCUMENT.

OWN: A. VASBINDER 2NOV2015  
 CHK: A. VASBINDER 12NOV2015  
 APPV: R. HETRICK 12NOV2015

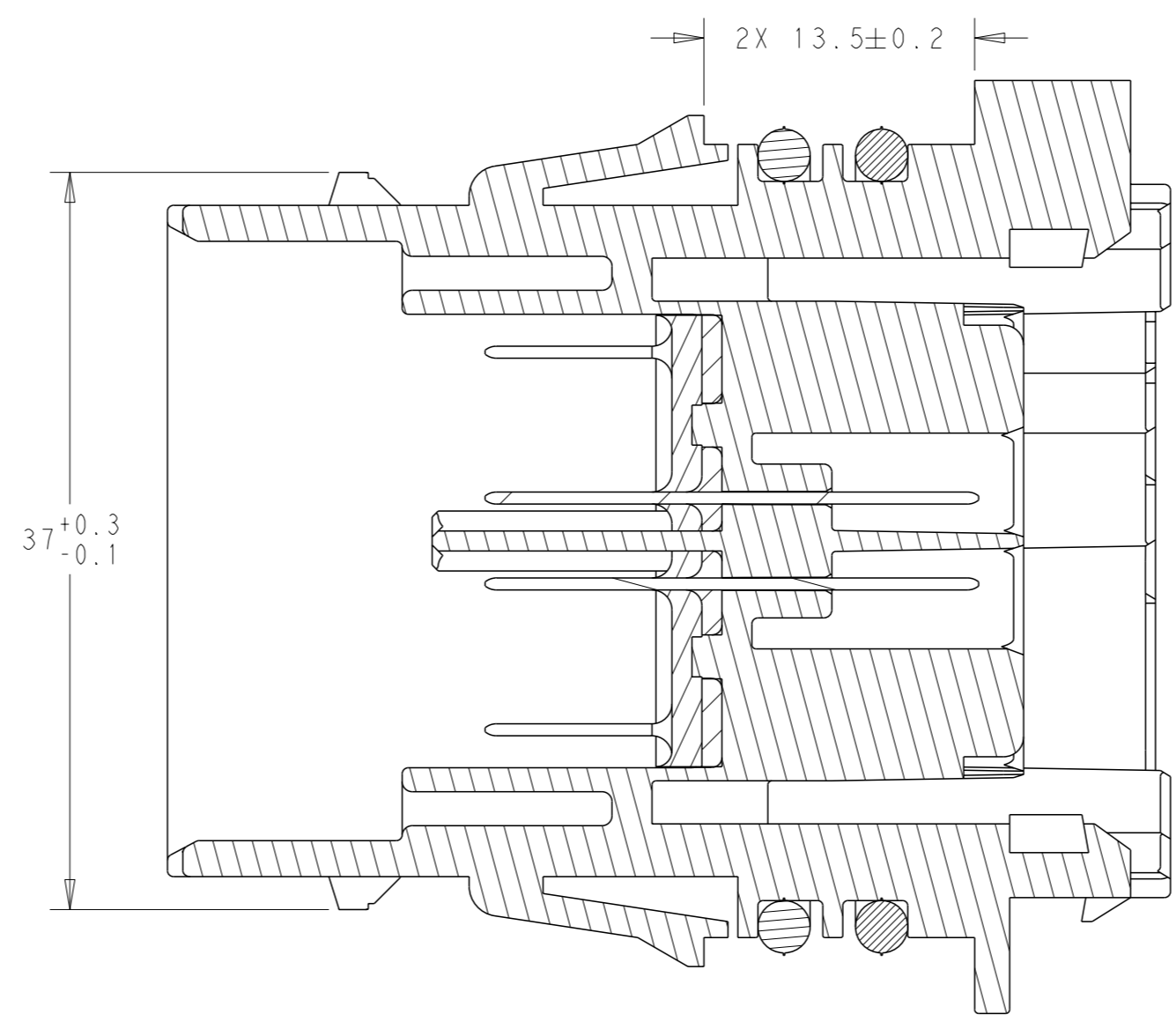
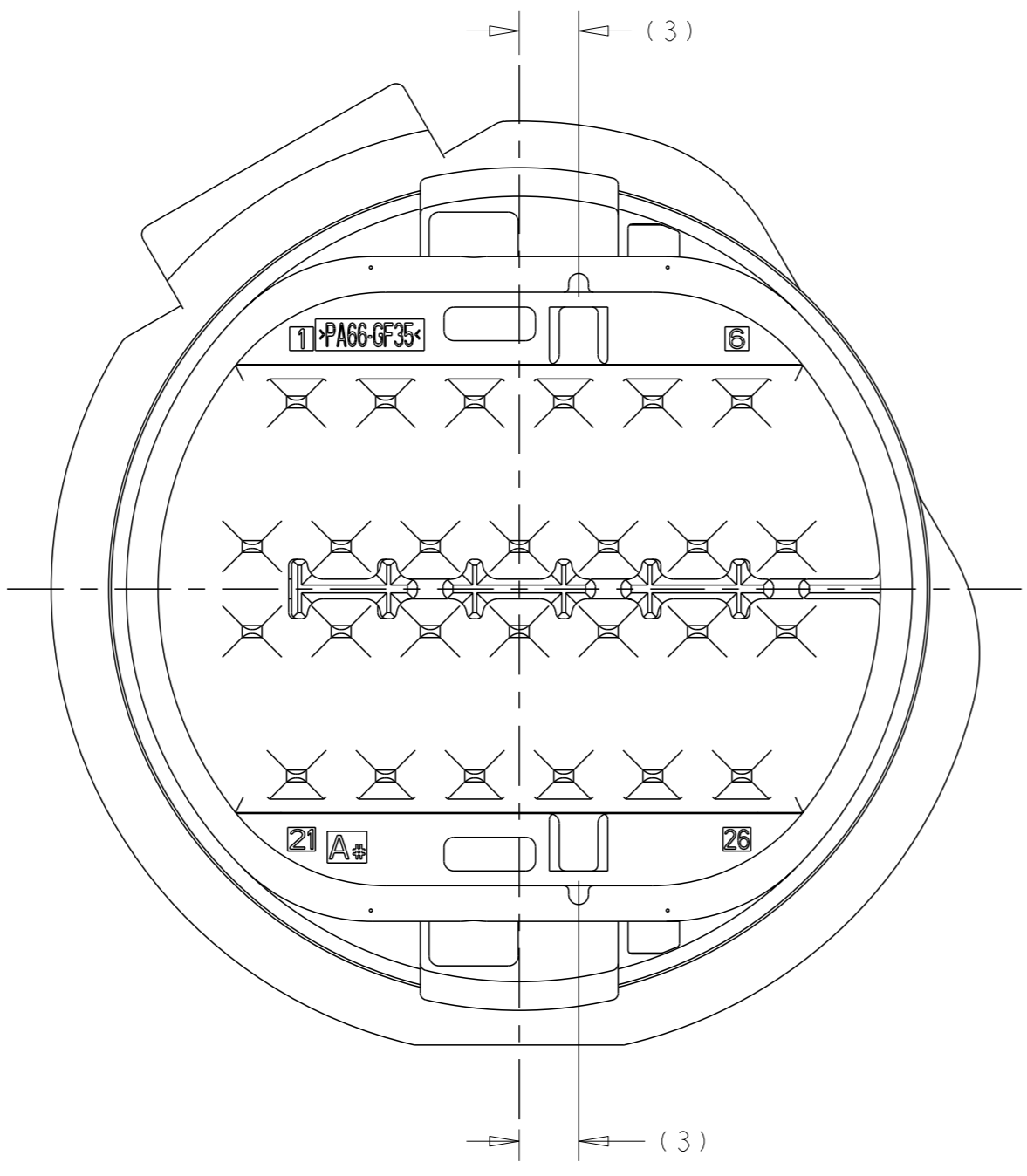
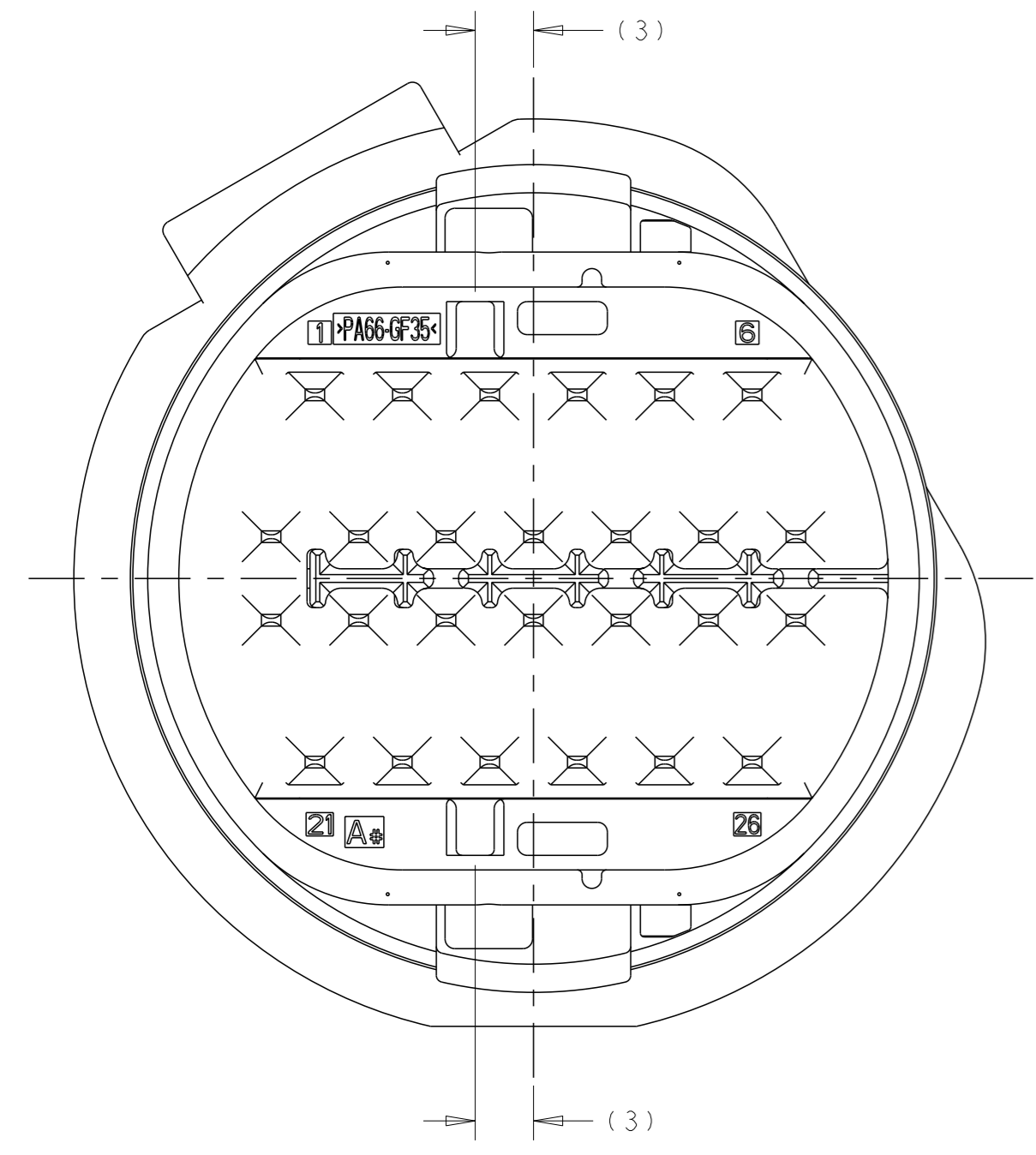
TE Connectivity

26P SEALED PASS THRU (MCON 1.2) TRANSMISSION HEADER ASSEMBLY

SIZE: A1 CAGE CODE: DRAWING NO: 408-32149 RESTRICTED TO: -  
 SCALE: 3:1 SHEET 1 OF 3 REV E

Printed on 4 Nov 2024 16:21 (US Mountain Standard Time) from 15667357

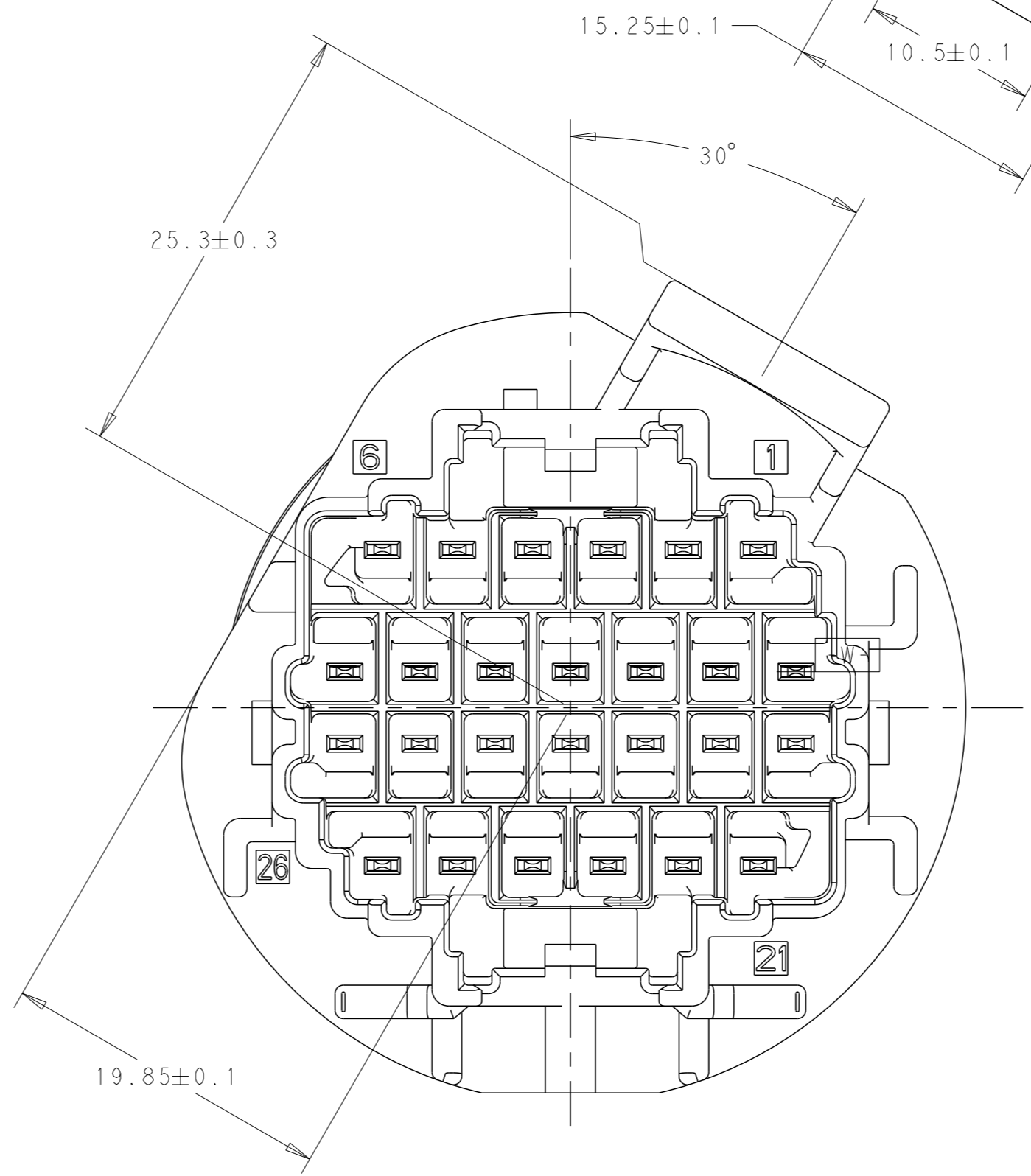
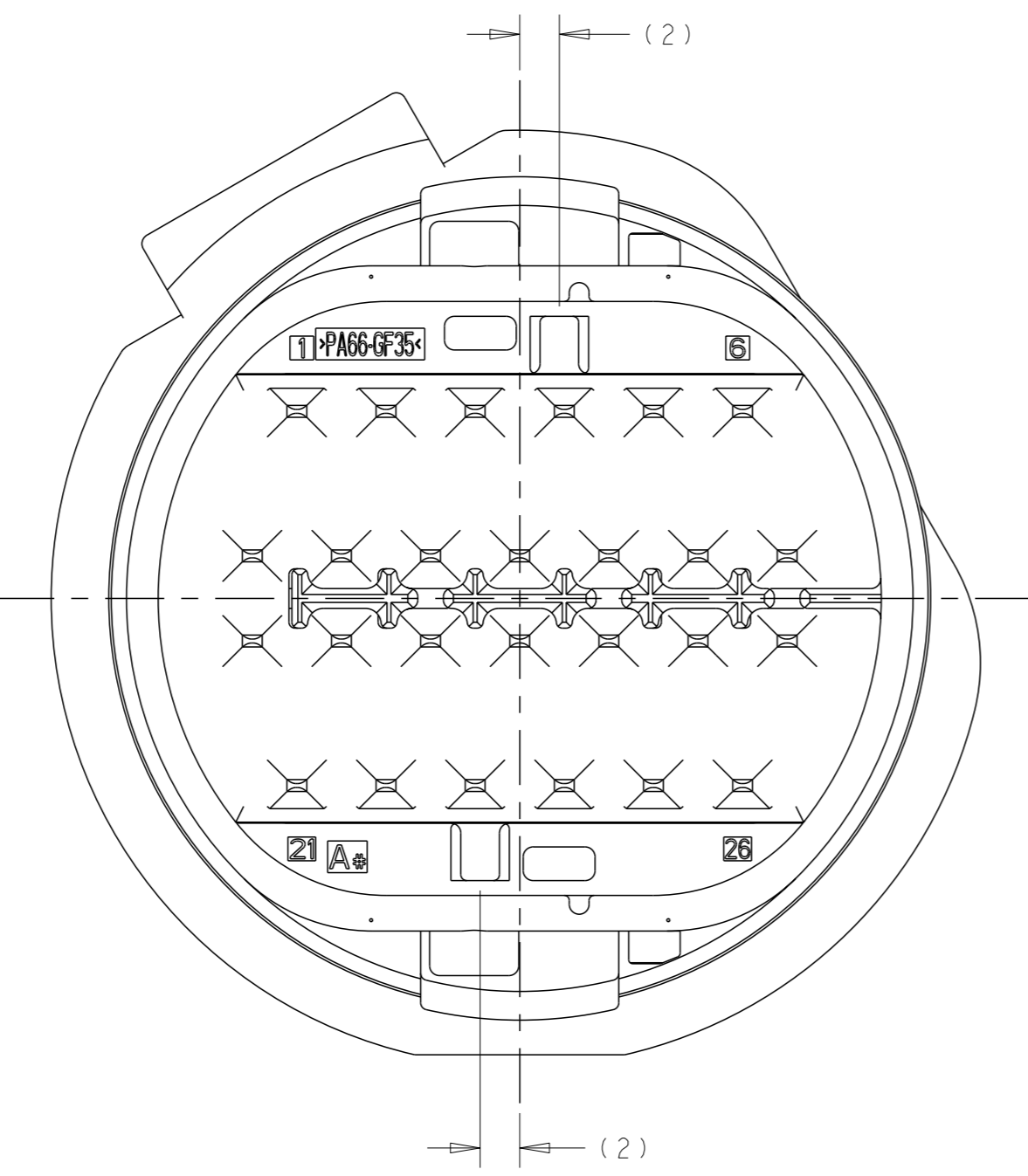
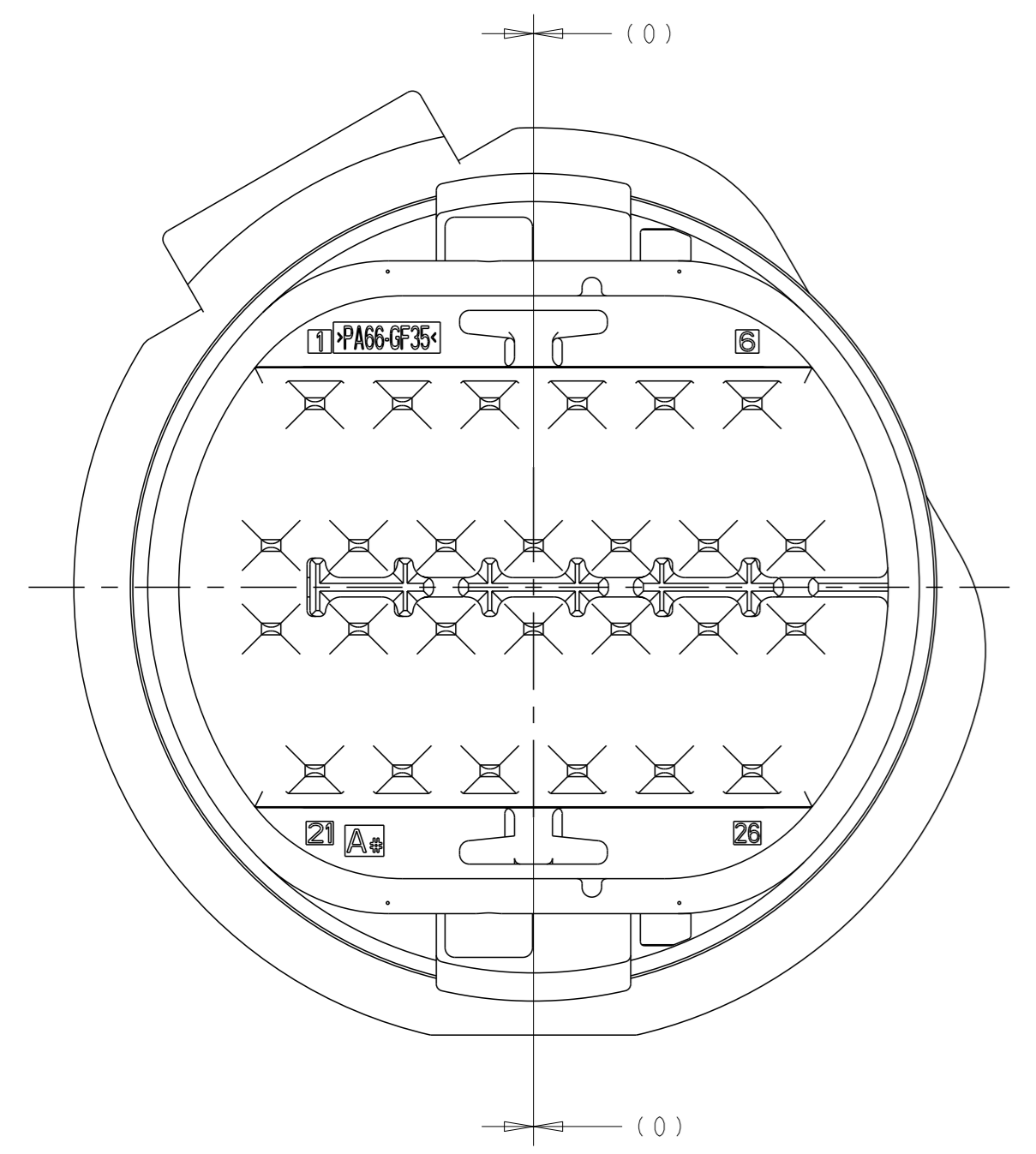
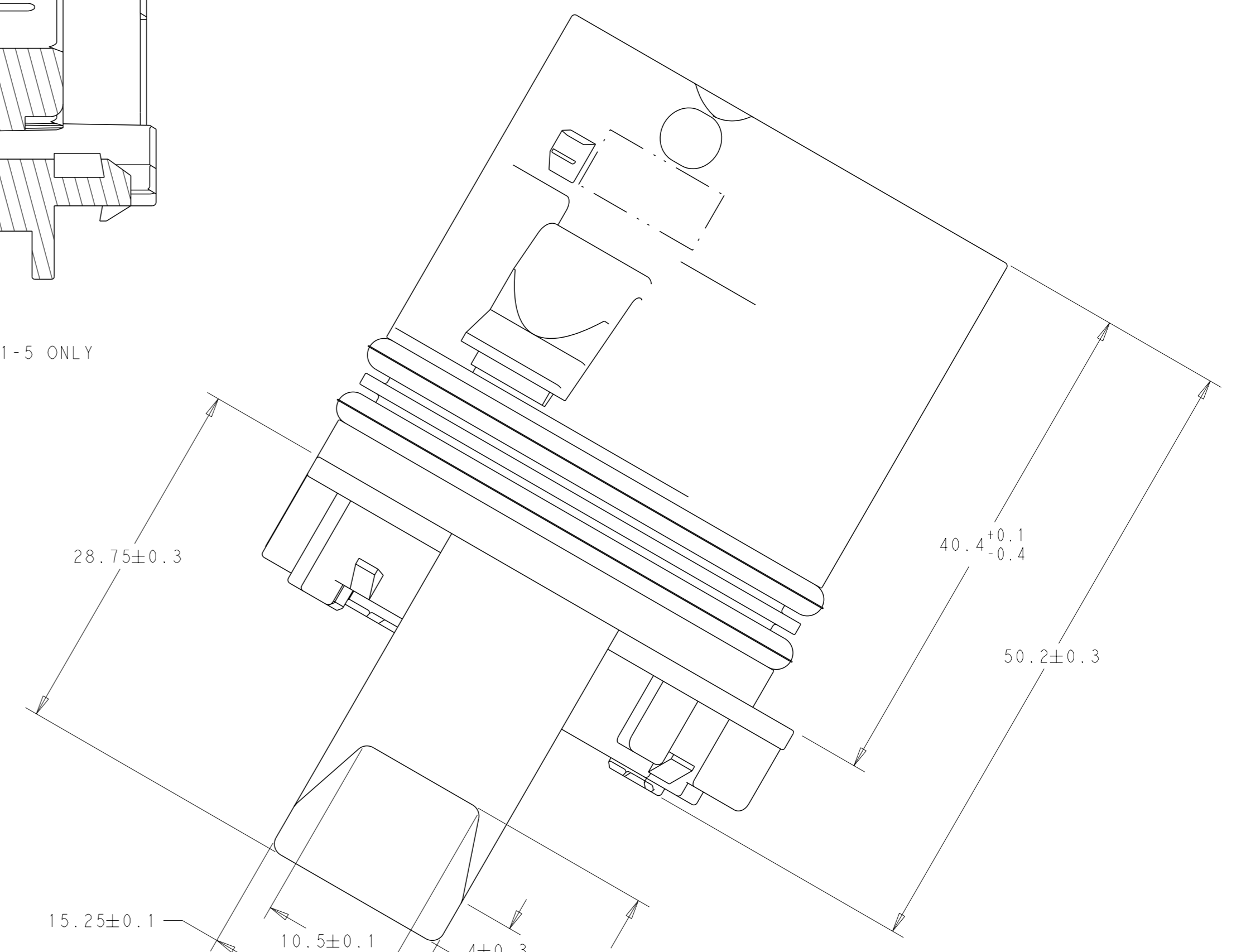
| REVISIONS |     |             |      |          |
|-----------|-----|-------------|------|----------|
| P         | LYR | DESCRIPTION | DATE | OWN APVD |
| -         | -   | SEE SHEET 1 | -    | -        |
|           |     |             |      |          |
|           |     |             |      |          |



SECTION R-R  
 ALTERNATE GEOMETRY FOR 2297721-5 ONLY

1-2297721-1, 2297721-5, 2297721-6  
 KEYING OPTION "A"  
 SCALE 3:1

2297721-2  
 KEYING OPTION "B"  
 SCALE 3:1

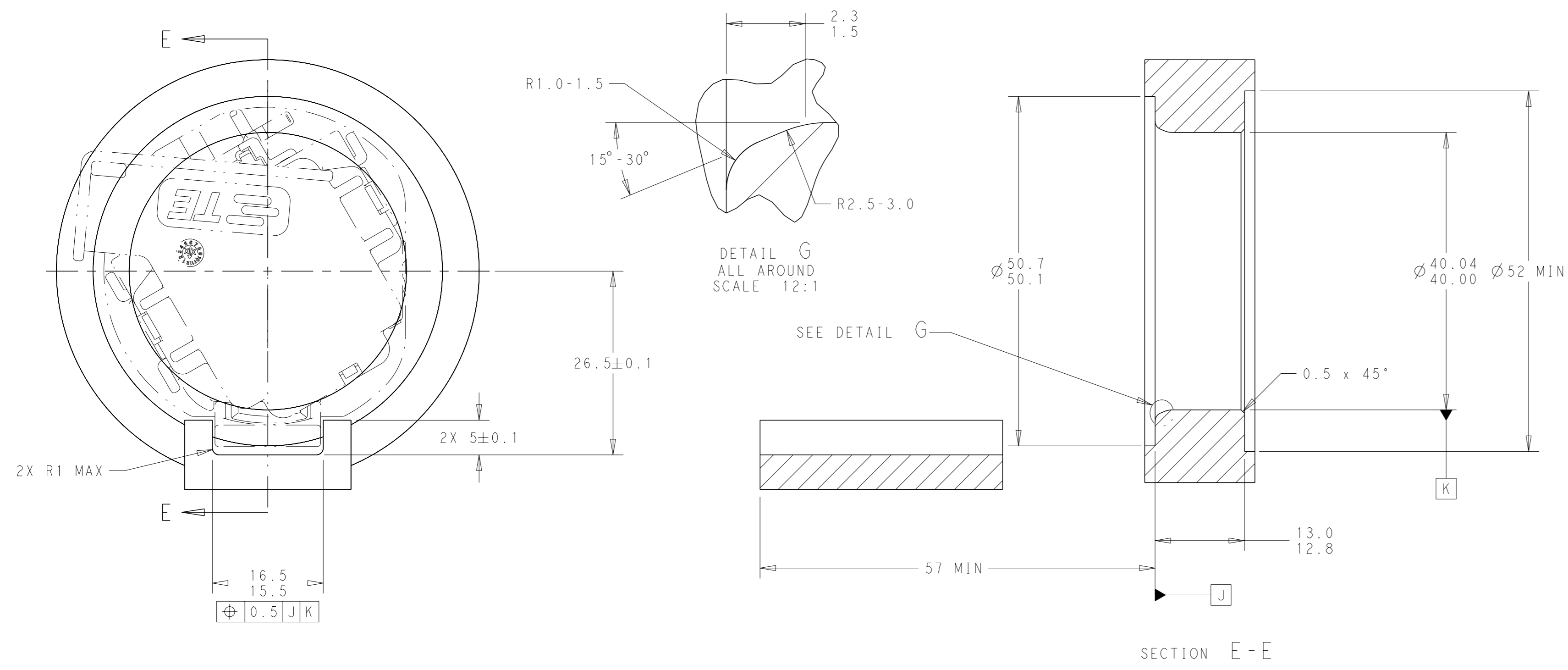


2297721-3  
 KEYING OPTION "C"  
 SCALE 3:1

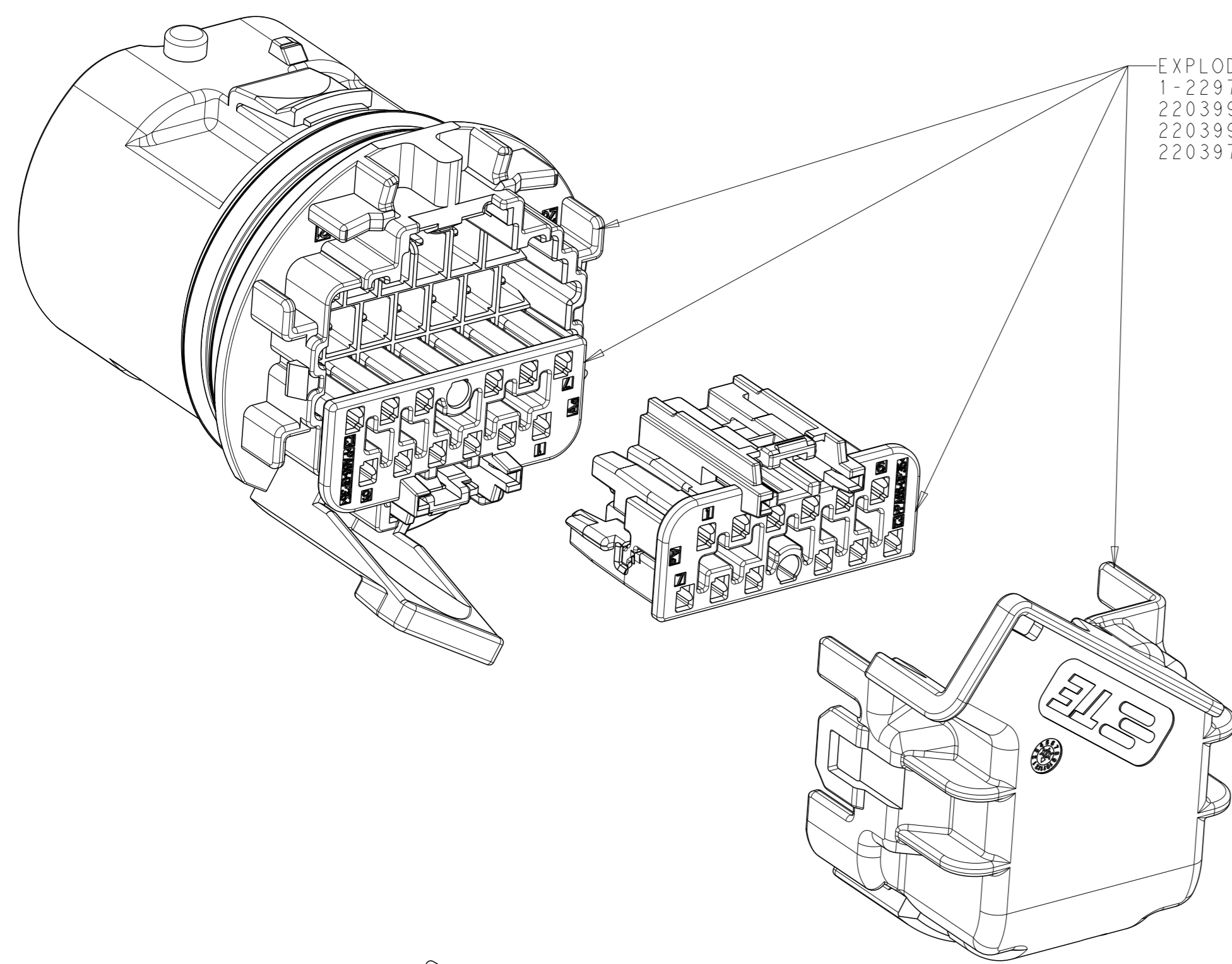
2297721-4  
 KEYING OPTION "D"  
 SCALE 3:1

|  |            |                             |  |
|--|------------|-----------------------------|--|
| THIS DRAWING IS A CONTROLLED DOCUMENT. |            | OWN: A. VASBINDER 12NOV2015 |  |
| DIMENSIONS: mm                         |            | CHK: A. VASBINDER 12NOV2015 |  |
| TOLERANCES UNLESS OTHERWISE SPECIFIED: |            | APVD: R. HETRICK 12NOV2015  | NAME: 26P SEALED PASS THRU (MCON 1.2) TRANSMISSION HEADER ASSEMBLY |
| 0 PLC ±                                | 1 PLC ±0.3 | PRODUCT SPEC                | SIZE: A1   |
| 2 PLC ±0.1                             | 3 PLC ±    | APPLICATION SPEC            | CAGE CODE: -   |
| 4 PLC ±                                | ANGLES ±   | 408-32149                   | DRAWING NO: C=2297721  |
| FINISH                                 | ±3°        | WEIGHT                      | RESTRICTED TO: -   |
| MATERIAL: SEE NOTE 1                   |            | CUSTOMER DRAWING            | SCALE: 3:1 SHEET 2 OF 3 REV E                                      |

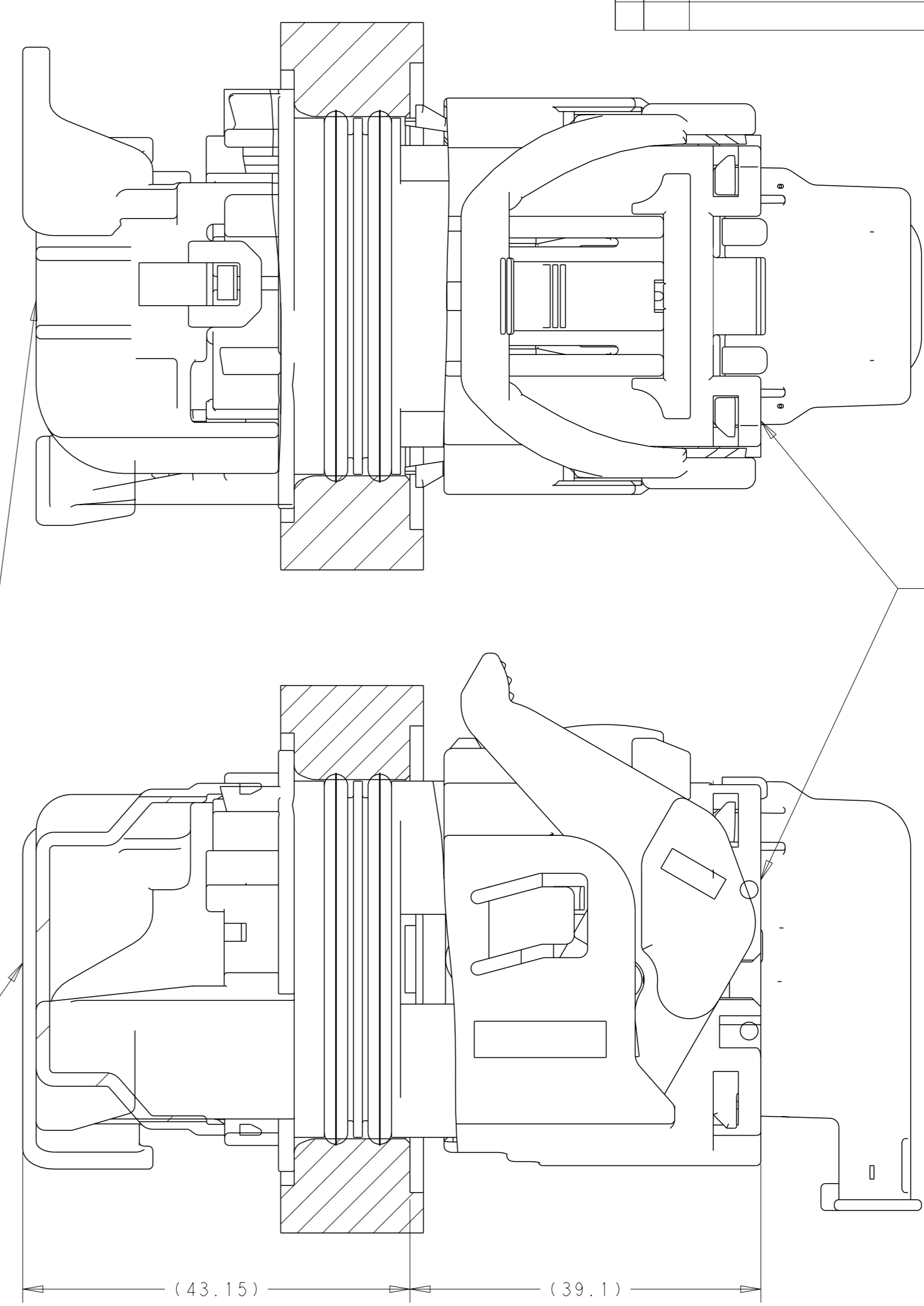
RECOMMENDED MOUNTING HOLE DETAIL  
MATERIAL: CAST ALUMINUM OR SIMILAR



| REVISIONS |      |             |     |      |
|-----------|------|-------------|-----|------|
| REV       | DATE | DESCRIPTION | OWN | APVD |
| -         | -    | SEE SHEET 1 | -   | -    |

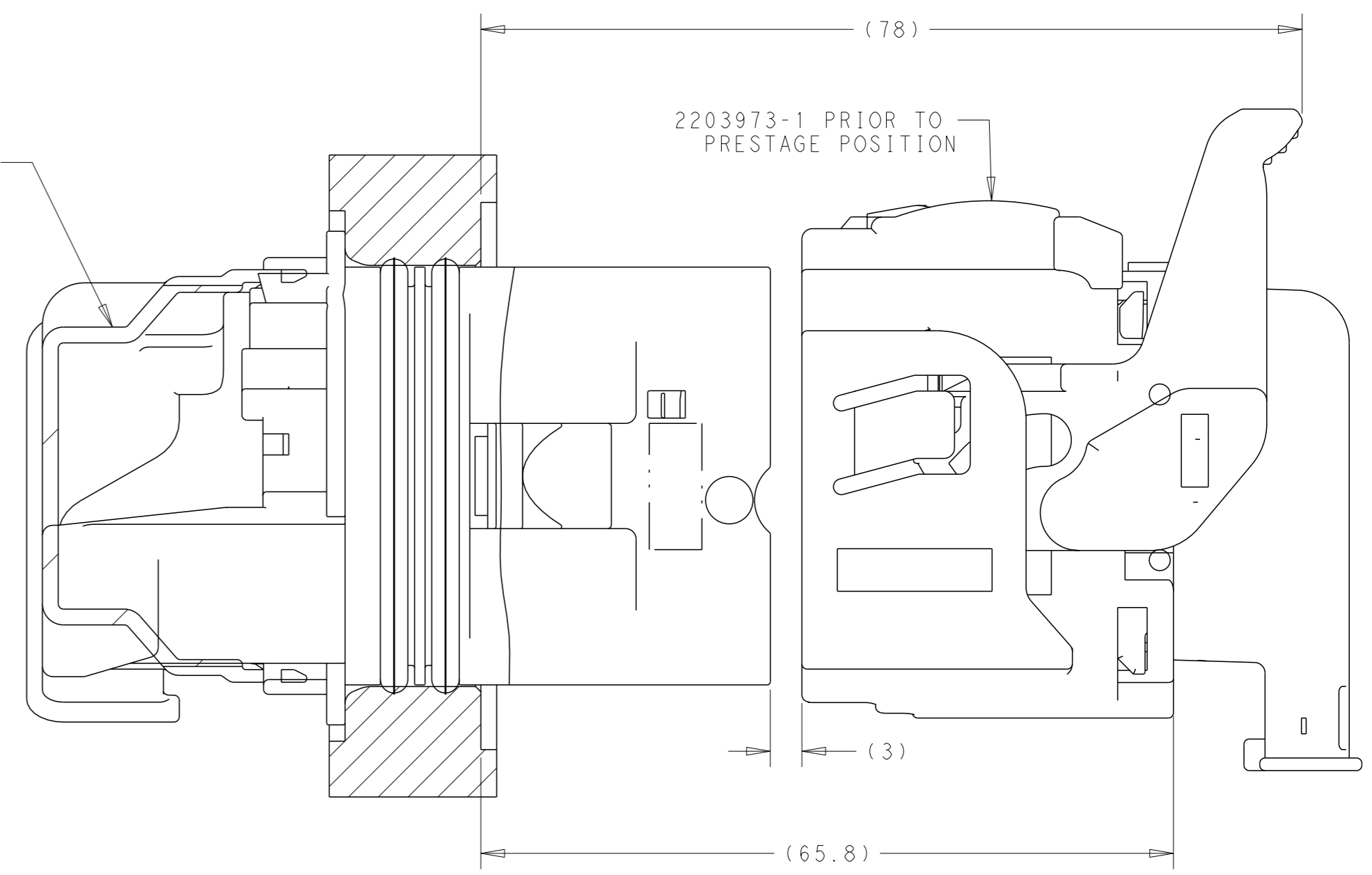


EXPLODED VIEW:  
1-2297721-1 SHOWN WITH APPLICABLE COMPONENTS  
2203990-1 (13P PLUG KEY A)  
2203990-2 (13P PLUG KEY B)  
2203971-1 (26P WIRE DRESS)



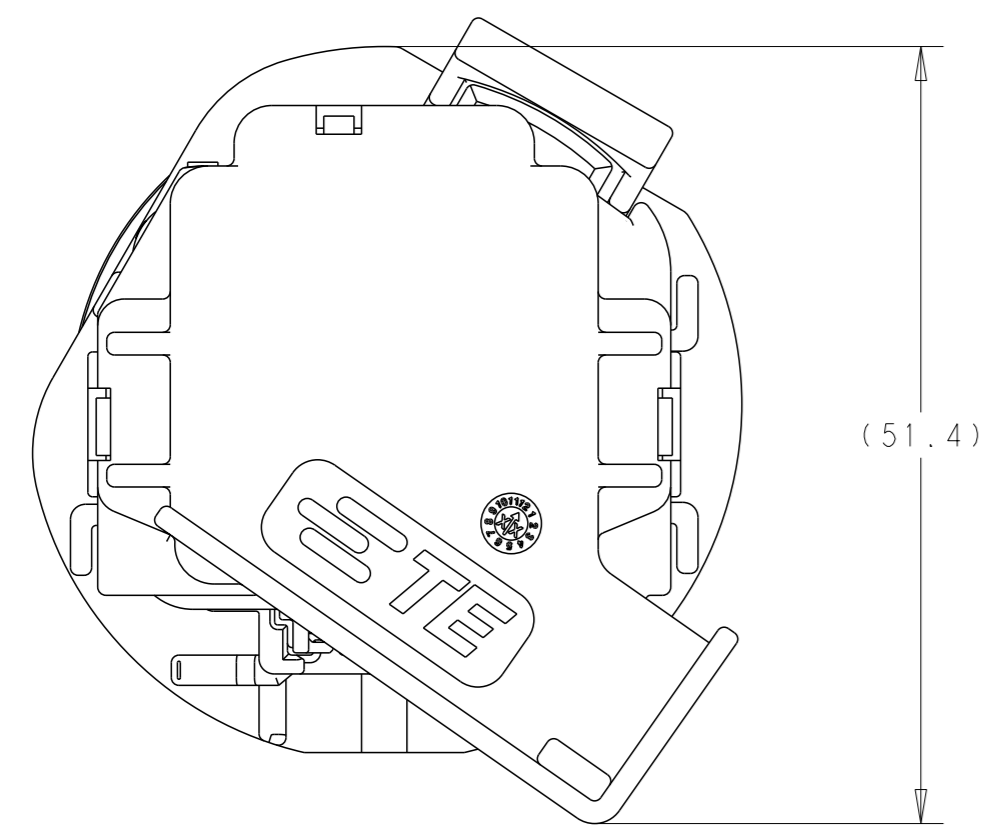
2203973-1 (26P SEALED PLUG) IN ASSEMBLED POSITION

1-2297721-1 WITH WIRE DRESS 2203971-1 IN ASSEMBLED POSITION

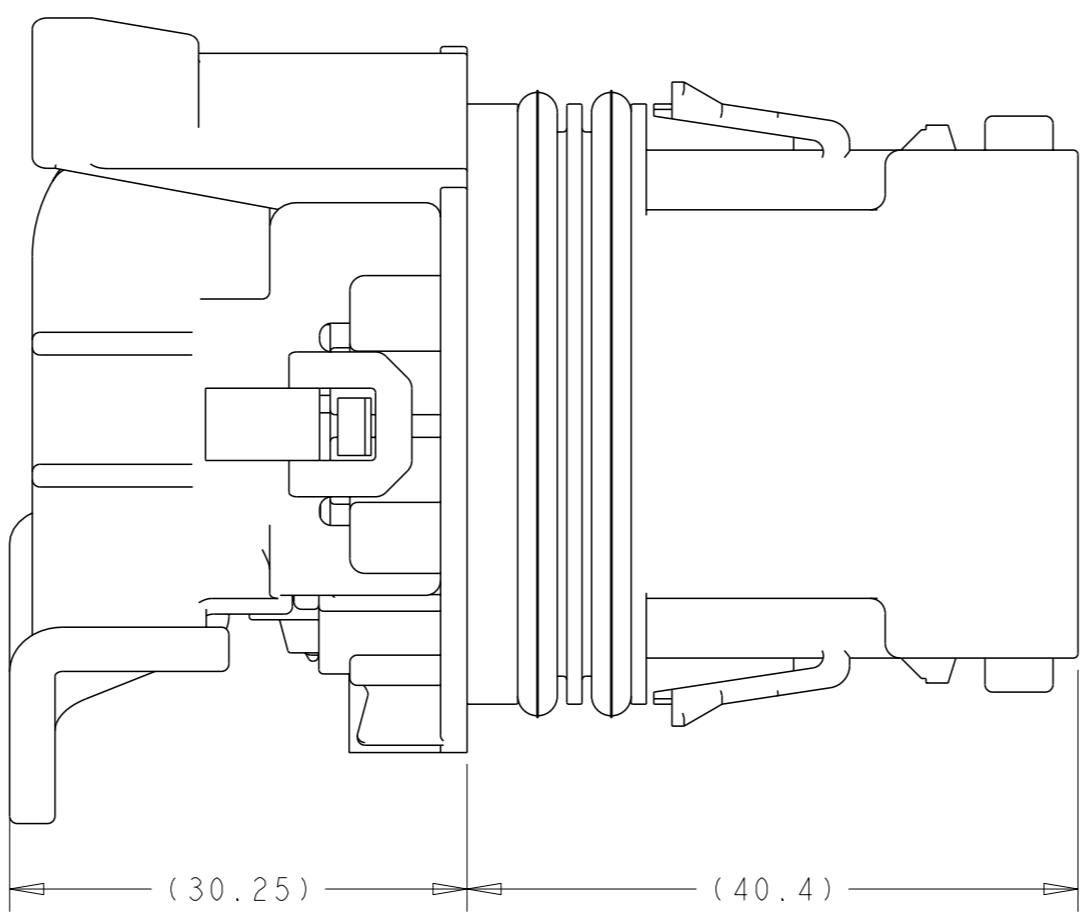


2203973-1 PRIOR TO PRESTAGE POSITION

1-2297721-1 WITH WIRE DRESS 2203971-1 IN ASSEMBLED POSITION



1-2297721-1 SHOWN WITH APPLICABLE COMPONENTS IN ASSEMBLED POSITION



|  |      |                             |  |
|--|------|-----------------------------|--|
| THIS DRAWING IS A CONTROLLED DOCUMENT. |      | OWN: A. VASBINDER 12NOV2015 |  |
| DIMENSIONS: mm                         |      | CHK: A. VASBINDER 12NOV2015 |  |
| TOLERANCES UNLESS OTHERWISE SPECIFIED: |      | APVD: B. HETRICK 12NOV2015  | NAME: 26P SEALED PASS THRU (MCON 1.2) TRANSMISSION HEADER ASSEMBLY |
| 0 PLC                                  | ±    | PRODUCT SPEC                | SIZE: A1   |
| 1 PLC                                  | ±0.3 | APPLICATION SPEC            | CAGE CODE: -   |
| 2 PLC                                  | ±0.1 | 408-32149                   | DRAWING NO: C=2297721  |
| 3 PLC                                  | ±    | WEIGHT: -                   | RESTRICTED TO: -   |
| 4 PLC                                  | ±    | FINISH: -                   | SCALE: 1:1   |
| ANGLES                                 | ±    |                             | SHEET: 3 OF 3  |
|  | ±    |                             | REV: E   |
| MATERIAL: SEE NOTE 1                   |      | CUSTOMER DRAWING            |  |