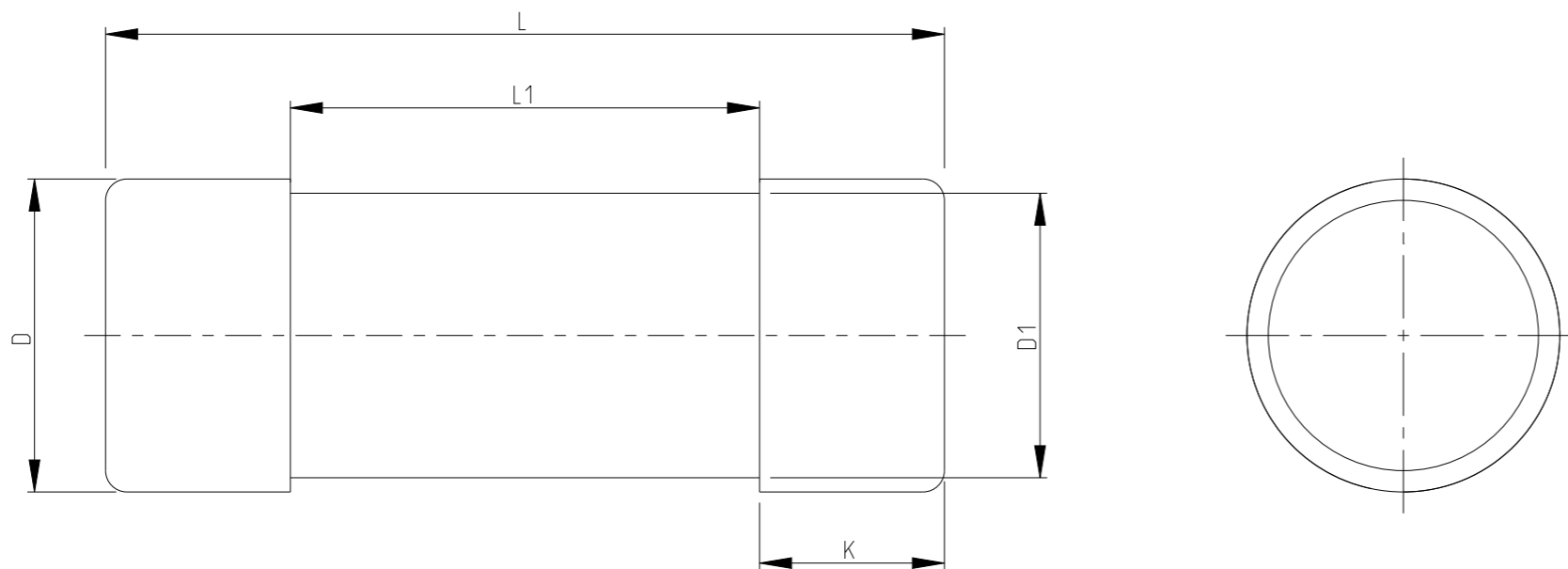
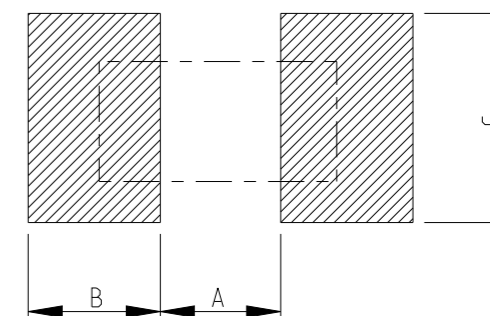


P	LTR	DESCRIPTION	DATE	DWN	APVD
	BA	INITIAL DRAWING RELEASE	29NOV2023	DM	AP



FOR FURTHER INFORMATION SEE DATA SHEET OF METAL FILM PRECISION MELF RESISTOR AEC-Q200 QUALIFIED TYPE SMA-Q SERIES

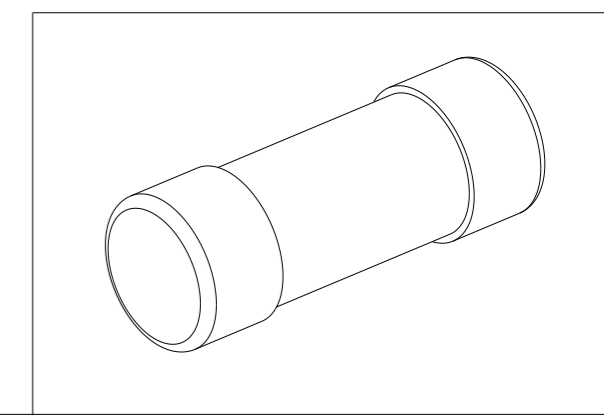
RECOMMENDED LAND PATTERN



TYPE	L (mm)	L1 min. (mm)	∅D (mm)	∅D1 (mm)	K (mm)	WEIGHT MG EA
SMA-Q 0207	5.9±0.2	2.9	2.2±0.2	D +0/-0.2	1.3±0.1	80.9

SIZE	A (mm)	B (mm)	C (mm)
SMA-Q 0207	3.0	1.7	2.4

RoHS Compliant



THIS DRAWING IS A CONTROLLED DOCUMENT.		DWN DHEERAJ M 29NOV2023														
		CHK TRACY G 29NOV2023														
DIMENSIONS: mm		APVD ALLAN P 29NOV2023	NAME METAL FILM PRECISION MELF RESISTORS AEC-Q200 QUALIFIED TYPE SMA-Q 0207 SERIES													
TOLERANCES UNLESS OTHERWISE SPECIFIED:		PRODUCT SPEC -	RESTRICTED TO -													
<table border="0"> <tr> <td>0 PLC</td> <td>±0.2</td> </tr> <tr> <td>1 PLC</td> <td>±0.1</td> </tr> <tr> <td>2 PLC</td> <td>±</td> </tr> <tr> <td>3 PLC</td> <td>±</td> </tr> <tr> <td>4 PLC</td> <td>±</td> </tr> <tr> <td>ANGLES</td> <td>±5°</td> </tr> </table>		0 PLC	±0.2	1 PLC	±0.1	2 PLC	±	3 PLC	±	4 PLC	±	ANGLES	±5°	APPLICATION SPEC -	SIZE A3	
0 PLC	±0.2															
1 PLC	±0.1															
2 PLC	±															
3 PLC	±															
4 PLC	±															
ANGLES	±5°															
MATERIAL -		WEIGHT -	CAGE CODE 00779	DRAWING NO C=2176709												
		CUSTOMER DRAWING	SCALE 20:1	SHEET 1 OF 3												
				REV BA												

REVISIONS

P	LTR	DESCRIPTION	DATE	DWN	APVD
	-	SEE SHEET 1	-	-	-

SCHEDULE

TCPN	CATALOGUE NUMBER	PART DESCRIPTION	PART STATUS
2176709-1	SMA-Q0207FTDU249R	MELF SMA-Q 249R 1% 50PPM 0207 0.5W	PRODUCTION
2176709-2	SMA-Q0207FTDU255R	MELF SMA-Q 255R 1% 50PPM 0207 0.5W	PRODUCTION
2176709-3	SMA-Q0207FTDU261R	MELF SMA-Q 261R 1% 50PPM 0207 0.5W	PRODUCTION
2176709-4	SMA-Q0207FTDU267R	MELF SMA-Q 267R 1% 50PPM 0207 0.5W	PRODUCTION
2176709-5	SMA-Q0207FTDU274R	MELF SMA-Q 274R 1% 50PPM 0207 0.5W	PRODUCTION
2176709-6	SMA-Q0207FTDU280R	MELF SMA-Q 280R 1% 50PPM 0207 0.5W	PRODUCTION
2176709-7	SMA-Q0207FTDU287R	MELF SMA-Q 287R 1% 50PPM 0207 0.5W	PRODUCTION
2176709-8	SMA-Q0207FTDU294R	MELF SMA-Q 294R 1% 50PPM 0207 0.5W	PRODUCTION
2176709-9	SMA-Q0207FTDU301R	MELF SMA-Q 301R 1% 50PPM 0207 0.5W	PRODUCTION
1-2176709-0	SMA-Q0207FTDU309R	MELF SMA-Q 309R 1% 50PPM 0207 0.5W	PRODUCTION
1-2176709-1	SMA-Q0207FTDU316R	MELF SMA-Q 316R 1% 50PPM 0207 0.5W	PRODUCTION
1-2176709-2	SMA-Q0207FTDU324R	MELF SMA-Q 324R 1% 50PPM 0207 0.5W	PRODUCTION
1-2176709-3	SMA-Q0207FTDU332R	MELF SMA-Q 332R 1% 50PPM 0207 0.5W	PRODUCTION
1-2176709-4	SMA-Q0207FTDU340R	MELF SMA-Q 340R 1% 50PPM 0207 0.5W	PRODUCTION
1-2176709-5	SMA-Q0207FTDU348R	MELF SMA-Q 348R 1% 50PPM 0207 0.5W	PRODUCTION
1-2176709-6	SMA-Q0207FTDU357R	MELF SMA-Q 357R 1% 50PPM 0207 0.5W	PRODUCTION
1-2176709-7	SMA-Q0207FTDU365R	MELF SMA-Q 365R 1% 50PPM 0207 0.5W	PRODUCTION
1-2176709-8	SMA-Q0207FTDU374R	MELF SMA-Q 374R 1% 50PPM 0207 0.5W	PRODUCTION
1-2176709-9	SMA-Q0207FTDU383R	MELF SMA-Q 383R 1% 50PPM 0207 0.5W	PRODUCTION
2-2176709-0	SMA-Q0207FTDU392R	MELF SMA-Q 392R 1% 50PPM 0207 0.5W	PRODUCTION
2-2176709-1	SMA-Q0207FTDU402R	MELF SMA-Q 402R 1% 50PPM 0207 0.5W	PRODUCTION
2-2176709-2	SMA-Q0207FTDU412R	MELF SMA-Q 412R 1% 50PPM 0207 0.5W	PRODUCTION
2-2176709-3	SMA-Q0207FTDU422R	MELF SMA-Q 422R 1% 50PPM 0207 0.5W	PRODUCTION
2-2176709-4	SMA-Q0207FTDU432R	MELF SMA-Q 432R 1% 50PPM 0207 0.5W	PRODUCTION
2-2176709-5	SMA-Q0207FTDU442R	MELF SMA-Q 442R 1% 50PPM 0207 0.5W	PRODUCTION
2-2176709-6	SMA-Q0207FTDU453R	MELF SMA-Q 453R 1% 50PPM 0207 0.5W	PRODUCTION
2-2176709-7	SMA-Q0207FTDU464R	MELF SMA-Q 464R 1% 50PPM 0207 0.5W	PRODUCTION
2-2176709-8	SMA-Q0207FTDU475R	MELF SMA-Q 475R 1% 50PPM 0207 0.5W	PRODUCTION
2-2176709-9	SMA-Q0207FTDU487R	MELF SMA-Q 487R 1% 50PPM 0207 0.5W	PRODUCTION
3-2176709-0	SMA-Q0207FTDU499R	MELF SMA-Q 499R 1% 50PPM 0207 0.5W	PRODUCTION
3-2176709-1	SMA-Q0207FTDU511R	MELF SMA-Q 511R 1% 50PPM 0207 0.5W	PRODUCTION
3-2176709-2	SMA-Q0207FTDU523R	MELF SMA-Q 523R 1% 50PPM 0207 0.5W	PRODUCTION
3-2176709-3	SMA-Q0207FTDU536R	MELF SMA-Q 536R 1% 50PPM 0207 0.5W	PRODUCTION

SCHEDULE

TCPN	CATALOGUE NUMBER	PART DESCRIPTION	PART STATUS
3-2176709-4	SMA-Q0207FTDU549R	MELF SMA-Q 549R 1% 50PPM 0207 0.5W	PRODUCTION
3-2176709-5	SMA-Q0207FTDU562R	MELF SMA-Q 562R 1% 50PPM 0207 0.5W	PRODUCTION
3-2176709-6	SMA-Q0207FTDU576R	MELF SMA-Q 576R 1% 50PPM 0207 0.5W	PRODUCTION
3-2176709-7	SMA-Q0207FTDU590R	MELF SMA-Q 590R 1% 50PPM 0207 0.5W	PRODUCTION
3-2176709-8	SMA-Q0207FTDU604R	MELF SMA-Q 604R 1% 50PPM 0207 0.5W	PRODUCTION
3-2176709-9	SMA-Q0207FTDU619R	MELF SMA-Q 619R 1% 50PPM 0207 0.5W	PRODUCTION
4-2176709-0	SMA-Q0207FTDU634R	MELF SMA-Q 634R 1% 50PPM 0207 0.5W	PRODUCTION
4-2176709-1	SMA-Q0207FTDU649R	MELF SMA-Q 649R 1% 50PPM 0207 0.5W	PRODUCTION
4-2176709-2	SMA-Q0207FTDU665R	MELF SMA-Q 665R 1% 50PPM 0207 0.5W	PRODUCTION
4-2176709-3	SMA-Q0207FTDU681R	MELF SMA-Q 681R 1% 50PPM 0207 0.5W	PRODUCTION
4-2176709-4	SMA-Q0207FTDU698R	MELF SMA-Q 698R 1% 50PPM 0207 0.5W	PRODUCTION
4-2176709-5	SMA-Q0207FTDU715R	MELF SMA-Q 715R 1% 50PPM 0207 0.5W	PRODUCTION
4-2176709-6	SMA-Q0207FTDU732R	MELF SMA-Q 732R 1% 50PPM 0207 0.5W	PRODUCTION
4-2176709-7	SMA-Q0207FTDU750R	MELF SMA-Q 750R 1% 50PPM 0207 0.5W	PRODUCTION
4-2176709-8	SMA-Q0207FTDU768R	MELF SMA-Q 768R 1% 50PPM 0207 0.5W	PRODUCTION
4-2176709-9	SMA-Q0207FTDU787R	MELF SMA-Q 787R 1% 50PPM 0207 0.5W	PRODUCTION
5-2176709-0	SMA-Q0207FTDU806R	MELF SMA-Q 806R 1% 50PPM 0207 0.5W	PRODUCTION
5-2176709-1	SMA-Q0207FTDU825R	MELF SMA-Q 825R 1% 50PPM 0207 0.5W	PRODUCTION
5-2176709-2	SMA-Q0207FTDU845R	MELF SMA-Q 845R 1% 50PPM 0207 0.5W	PRODUCTION
5-2176709-3	SMA-Q0207FTDU866R	MELF SMA-Q 866R 1% 50PPM 0207 0.5W	PRODUCTION
5-2176709-4	SMA-Q0207FTDU887R	MELF SMA-Q 887R 1% 50PPM 0207 0.5W	PRODUCTION
5-2176709-5	SMA-Q0207FTDU909R	MELF SMA-Q 909R 1% 50PPM 0207 0.5W	PRODUCTION
5-2176709-6	SMA-Q0207FTDU931R	MELF SMA-Q 931R 1% 50PPM 0207 0.5W	PRODUCTION
5-2176709-7	SMA-Q0207FTDU953R	MELF SMA-Q 953R 1% 50PPM 0207 0.5W	PRODUCTION
5-2176709-8	SMA-Q0207FTDU976R	MELF SMA-Q 976R 1% 50PPM 0207 0.5W	PRODUCTION
5-2176709-9	SMA-Q0207FTDU1K0	MELF SMA-Q 1K0 1% 50PPM 0207 0.5W	PRODUCTION
6-2176709-0	SMA-Q0207FTDU1K02	MELF SMA-Q 1K02 1% 50PPM 0207 0.5W	PRODUCTION
6-2176709-1	SMA-Q0207FTDU1K05	MELF SMA-Q 1K05 1% 50PPM 0207 0.5W	PRODUCTION
6-2176709-2	SMA-Q0207FTDU1K07	MELF SMA-Q 1K07 1% 50PPM 0207 0.5W	PRODUCTION
6-2176709-3	SMA-Q0207FTDU1K1	MELF SMA-Q 1K1 1% 50PPM 0207 0.5W	PRODUCTION
6-2176709-4	SMA-Q0207FTDU1K13	MELF SMA-Q 1K13 1% 50PPM 0207 0.5W	PRODUCTION
6-2176709-5	SMA-Q0207FTDU1K15	MELF SMA-Q 1K15 1% 50PPM 0207 0.5W	PRODUCTION
6-2176709-6	SMA-Q0207FTDU1K18	MELF SMA-Q 1K18 1% 50PPM 0207 0.5W	PRODUCTION

THIS DRAWING IS A CONTROLLED DOCUMENT.

DWN DHEERAJ M 29NOV2023

CHK TRACY G 29NOV2023

APVD ALLAN P 29NOV2023

PRODUCT SPEC

APPLICATION SPEC

WEIGHT

CUSTOMER DRAWING



TE Connectivity

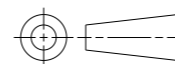
METAL FILM PRECISION MELF RESISTORS
AEC-Q200 QUALIFIED TYPE
SMA-Q 0207 SERIES

SIZE CAGE CODE DRAWING NO RESTRICTED TO

A3 00779 C-2176709

SCALE 20:1 SHEET 2 OF 3 REV BA

DIMENSIONS:
mm



TOLERANCES UNLESS OTHERWISE SPECIFIED:

0 PLC	±0.2
1 PLC	±0.1
2 PLC	±
3 PLC	±
4 PLC	±
ANGLES	±5°

MATERIAL

FINISH

REVISIONS

P	LTR	DESCRIPTION	DATE	DWN	APVD
-		SEE SHEET 1	-	-	-

SCHEDULE

TCPN	CATALOGUE NUMBER	PART DESCRIPTION	PART STATUS
6-2176709-7	SMA-Q0207FTDU1K21	MELF SMA-Q 1K21 1% 50PPM 0207 0.5W	PRODUCTION
6-2176709-8	SMA-Q0207FTDU1K24	MELF SMA-Q 1K24 1% 50PPM 0207 0.5W	PRODUCTION
6-2176709-9	SMA-Q0207FTDU1K27	MELF SMA-Q 1K27 1% 50PPM 0207 0.5W	PRODUCTION
7-2176709-0	SMA-Q0207FTDU1K3	MELF SMA-Q 1K3 1% 50PPM 0207 0.5W	PRODUCTION
7-2176709-1	SMA-Q0207FTDU1K33	MELF SMA-Q 1K33 1% 50PPM 0207 0.5W	PRODUCTION
7-2176709-2	SMA-Q0207FTDU1K37	MELF SMA-Q 1K37 1% 50PPM 0207 0.5W	PRODUCTION
7-2176709-3	SMA-Q0207FTDU1K4	MELF SMA-Q 1K4 1% 50PPM 0207 0.5W	PRODUCTION
7-2176709-4	SMA-Q0207FTDU1K43	MELF SMA-Q 1K43 1% 50PPM 0207 0.5W	PRODUCTION
7-2176709-5	SMA-Q0207FTDU1K47	MELF SMA-Q 1K47 1% 50PPM 0207 0.5W	PRODUCTION
7-2176709-6	SMA-Q0207FTDU1K5	MELF SMA-Q 1K5 1% 50PPM 0207 0.5W	PRODUCTION
7-2176709-7	SMA-Q0207FTDU1K54	MELF SMA-Q 1K54 1% 50PPM 0207 0.5W	PRODUCTION
7-2176709-8	SMA-Q0207FTDU1K58	MELF SMA-Q 1K58 1% 50PPM 0207 0.5W	PRODUCTION
7-2176709-9	SMA-Q0207FTDU1K62	MELF SMA-Q 1K62 1% 50PPM 0207 0.5W	PRODUCTION
8-2176709-0	SMA-Q0207FTDU1K65	MELF SMA-Q 1K65 1% 50PPM 0207 0.5W	PRODUCTION
8-2176709-1	SMA-Q0207FTDU1K69	MELF SMA-Q 1K69 1% 50PPM 0207 0.5W	PRODUCTION
8-2176709-2	SMA-Q0207FTDU1K74	MELF SMA-Q 1K74 1% 50PPM 0207 0.5W	PRODUCTION
8-2176709-3	SMA-Q0207FTDU1K78	MELF SMA-Q 1K78 1% 50PPM 0207 0.5W	PRODUCTION
8-2176709-4	SMA-Q0207FTDU1K82	MELF SMA-Q 1K82 1% 50PPM 0207 0.5W	PRODUCTION
8-2176709-5	SMA-Q0207FTDU1K87	MELF SMA-Q 1K87 1% 50PPM 0207 0.5W	PRODUCTION
8-2176709-6	SMA-Q0207FTDU1K91	MELF SMA-Q 1K91 1% 50PPM 0207 0.5W	PRODUCTION
8-2176709-7	SMA-Q0207FTDU1K96	MELF SMA-Q 1K96 1% 50PPM 0207 0.5W	PRODUCTION
8-2176709-8	SMA-Q0207FTDU2K0	MELF SMA-Q 2K0 1% 50PPM 0207 0.5W	PRODUCTION
8-2176709-9	SMA-Q0207FTDU2K05	MELF SMA-Q 2K05 1% 50PPM 0207 0.5W	PRODUCTION
9-2176709-0	SMA-Q0207FTDU2K1	MELF SMA-Q 2K1 1% 50PPM 0207 0.5W	PRODUCTION
9-2176709-1	SMA-Q0207FTDU2K15	MELF SMA-Q 2K15 1% 50PPM 0207 0.5W	PRODUCTION
9-2176709-2	SMA-Q0207FTDU2K21	MELF SMA-Q 2K21 1% 50PPM 0207 0.5W	PRODUCTION
9-2176709-3	SMA-Q0207FTDU2K26	MELF SMA-Q 2K26 1% 50PPM 0207 0.5W	PRODUCTION
9-2176709-4	SMA-Q0207FTDU2K32	MELF SMA-Q 2K32 1% 50PPM 0207 0.5W	PRODUCTION
9-2176709-5	SMA-Q0207FTDU2K37	MELF SMA-Q 2K37 1% 50PPM 0207 0.5W	PRODUCTION
9-2176709-6	SMA-Q0207FTDU2K43	MELF SMA-Q 2K43 1% 50PPM 0207 0.5W	PRODUCTION
9-2176709-7	SMA-Q0207FTDU2K49	MELF SMA-Q 2K49 1% 50PPM 0207 0.5W	PRODUCTION
9-2176709-8	SMA-Q0207FTDU2K55	MELF SMA-Q 2K55 1% 50PPM 0207 0.5W	PRODUCTION
9-2176709-9	SMA-Q0207FTDU2K61	MELF SMA-Q 2K61 1% 50PPM 0207 0.5W	PRODUCTION

THIS DRAWING IS A CONTROLLED DOCUMENT.

DWN DHEERAJ M 29NOV2023

CHK TRACY G 29NOV2023

APVD ALLAN P 29NOV2023

PRODUCT SPEC

APPLICATION SPEC

WEIGHT

CUSTOMER DRAWING



TE Connectivity

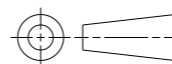
NAME METAL FILM PRECISION MELF RESISTORS
AEC-Q200 QUALIFIED TYPE
SMA-Q 0207 SERIES

SIZE CAGE CODE DRAWING NO RESTRICTED TO

A3 00779 C-2176709

SCALE 20:1 SHEET 3 OF 3 REV BA

DIMENSIONS:
mm



TOLERANCES UNLESS OTHERWISE SPECIFIED:

- 0 PLC ±0.2
- 1 PLC ±0.1
- 2 PLC ±
- 3 PLC ±
- 4 PLC ±
- ANGLES ±5°

MATERIAL

FINISH