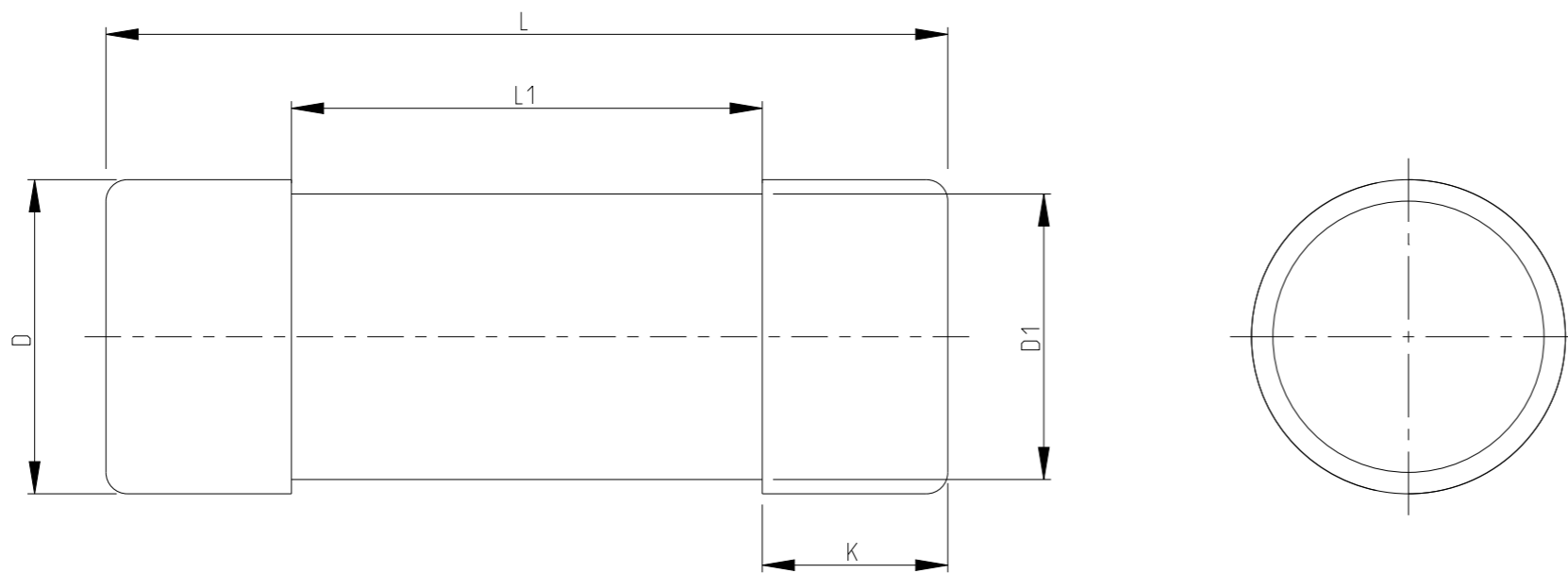
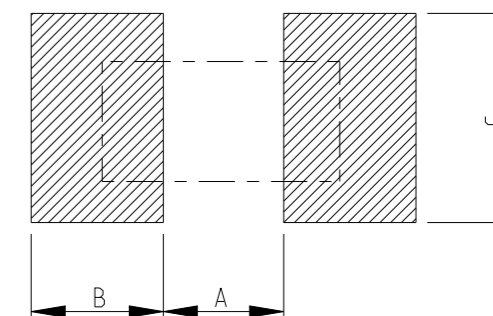


P	LTR	DESCRIPTION	DATE	DWN	APVD
	BA	INITIAL DRAWING RELEASE	29NOV2023	DM	AP



FOR FURTHER INFORMATION SEE DATA SHEET OF METAL FILM PRECISION MELF RESISTOR AEC-Q200 QUALIFIED TYPE SMA-Q SERIES

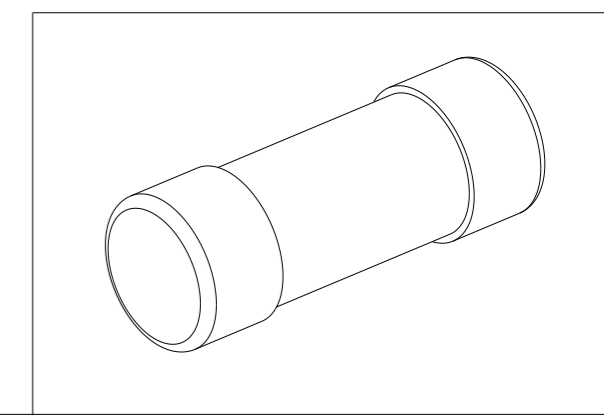
RECOMMENDED LAND PATTERN



TYPE	L (mm)	L1 min. (mm)	∅D (mm)	∅D1 (mm)	K (mm)	WEIGHT MG EA
SMA-Q 0207	5.9±0.2	2.9	2.2±0.2	D +0/-0.2	1.3±0.1	80.9

SIZE	A (mm)	B (mm)	C (mm)
SMA-Q 0207	3.0	1.7	2.4

RoHS Compliant



THIS DRAWING IS A CONTROLLED DOCUMENT.		DWN DHEERAJ M 29NOV2023														
DIMENSIONS: mm		CHK TRACY G 29NOV2023														
TOLERANCES UNLESS OTHERWISE SPECIFIED:		APVD ALLAN P 29NOV2023	NAME METAL FILM PRECISION MELF RESISTORS AEC-Q200 QUALIFIED TYPE SMA-Q 0207 SERIES													
<table border="0"> <tr> <td>0 PLC</td> <td>±0.2</td> </tr> <tr> <td>1 PLC</td> <td>±0.1</td> </tr> <tr> <td>2 PLC</td> <td>±</td> </tr> <tr> <td>3 PLC</td> <td>±</td> </tr> <tr> <td>4 PLC</td> <td>±</td> </tr> <tr> <td>ANGLES</td> <td>±5°</td> </tr> </table>		0 PLC	±0.2	1 PLC	±0.1	2 PLC	±	3 PLC	±	4 PLC	±	ANGLES	±5°	PRODUCT SPEC -	RESTRICTED TO -	
0 PLC	±0.2															
1 PLC	±0.1															
2 PLC	±															
3 PLC	±															
4 PLC	±															
ANGLES	±5°															
MATERIAL -		FINISH -	APPLICATION SPEC -	SCALE 20:1												
-		WEIGHT -	SIZE A3	SHEET 1 OF 3												
-		CUSTOMER DRAWING	CAGE CODE 00779	REV BA												
-			DRAWING NO C=2176708													

REVISIONS

P	LTR	DESCRIPTION	DATE	DWN	APVD
-	-	SEE SHEET 1	-	-	-

SCHEDULE

TCPN	CATALOGUE NUMBER	PART DESCRIPTION	PART STATUS
2176708-1	SMA-Q0207FTDU23R2	MELF SMA-Q 23R2 1% 50PPM 0207 0.5W	PRODUCTION
2176708-2	SMA-Q0207FTDU23R7	MELF SMA-Q 23R7 1% 50PPM 0207 0.5W	PRODUCTION
2176708-3	SMA-Q0207FTDU24R3	MELF SMA-Q 24R3 1% 50PPM 0207 0.5W	PRODUCTION
2176708-4	SMA-Q0207FTDU24R9	MELF SMA-Q 24R9 1% 50PPM 0207 0.5W	PRODUCTION
2176708-5	SMA-Q0207FTDU25R5	MELF SMA-Q 25R5 1% 50PPM 0207 0.5W	PRODUCTION
2176708-6	SMA-Q0207FTDU26R1	MELF SMA-Q 26R1 1% 50PPM 0207 0.5W	PRODUCTION
2176708-7	SMA-Q0207FTDU26R7	MELF SMA-Q 26R7 1% 50PPM 0207 0.5W	PRODUCTION
2176708-8	SMA-Q0207FTDU27R4	MELF SMA-Q 27R4 1% 50PPM 0207 0.5W	PRODUCTION
2176708-9	SMA-Q0207FTDU28R	MELF SMA-Q 28R 1% 50PPM 0207 0.5W	PRODUCTION
1-2176708-0	SMA-Q0207FTDU28R7	MELF SMA-Q 28R7 1% 50PPM 0207 0.5W	PRODUCTION
1-2176708-1	SMA-Q0207FTDU29R4	MELF SMA-Q 29R4 1% 50PPM 0207 0.5W	PRODUCTION
1-2176708-2	SMA-Q0207FTDU30R1	MELF SMA-Q 30R1 1% 50PPM 0207 0.5W	PRODUCTION
1-2176708-3	SMA-Q0207FTDU30R9	MELF SMA-Q 30R9 1% 50PPM 0207 0.5W	PRODUCTION
1-2176708-4	SMA-Q0207FTDU31R6	MELF SMA-Q 31R6 1% 50PPM 0207 0.5W	PRODUCTION
1-2176708-5	SMA-Q0207FTDU32R4	MELF SMA-Q 32R4 1% 50PPM 0207 0.5W	PRODUCTION
1-2176708-6	SMA-Q0207FTDU33R2	MELF SMA-Q 33R2 1% 50PPM 0207 0.5W	PRODUCTION
1-2176708-7	SMA-Q0207FTDU34R	MELF SMA-Q 34R 1% 50PPM 0207 0.5W	PRODUCTION
1-2176708-8	SMA-Q0207FTDU34R8	MELF SMA-Q 34R8 1% 50PPM 0207 0.5W	PRODUCTION
1-2176708-9	SMA-Q0207FTDU35R7	MELF SMA-Q 35R7 1% 50PPM 0207 0.5W	PRODUCTION
2-2176708-0	SMA-Q0207FTDU36R5	MELF SMA-Q 36R5 1% 50PPM 0207 0.5W	PRODUCTION
2-2176708-1	SMA-Q0207FTDU37R4	MELF SMA-Q 37R4 1% 50PPM 0207 0.5W	PRODUCTION
2-2176708-2	SMA-Q0207FTDU38R3	MELF SMA-Q 38R3 1% 50PPM 0207 0.5W	PRODUCTION
2-2176708-3	SMA-Q0207FTDU39R2	MELF SMA-Q 39R2 1% 50PPM 0207 0.5W	PRODUCTION
2-2176708-4	SMA-Q0207FTDU40R2	MELF SMA-Q 40R2 1% 50PPM 0207 0.5W	PRODUCTION
2-2176708-5	SMA-Q0207FTDU41R2	MELF SMA-Q 41R2 1% 50PPM 0207 0.5W	PRODUCTION
2-2176708-6	SMA-Q0207FTDU42R2	MELF SMA-Q 42R2 1% 50PPM 0207 0.5W	PRODUCTION
2-2176708-7	SMA-Q0207FTDU43R2	MELF SMA-Q 43R2 1% 50PPM 0207 0.5W	PRODUCTION
2-2176708-8	SMA-Q0207FTDU44R2	MELF SMA-Q 44R2 1% 50PPM 0207 0.5W	PRODUCTION
2-2176708-9	SMA-Q0207FTDU45R3	MELF SMA-Q 45R3 1% 50PPM 0207 0.5W	PRODUCTION
3-2176708-0	SMA-Q0207FTDU46R4	MELF SMA-Q 46R4 1% 50PPM 0207 0.5W	PRODUCTION
3-2176708-1	SMA-Q0207FTDU47R5	MELF SMA-Q 47R5 1% 50PPM 0207 0.5W	PRODUCTION
3-2176708-2	SMA-Q0207FTDU48R7	MELF SMA-Q 48R7 1% 50PPM 0207 0.5W	PRODUCTION
3-2176708-3	SMA-Q0207FTDU49R9	MELF SMA-Q 49R9 1% 50PPM 0207 0.5W	PRODUCTION

SCHEDULE

TCPN	CATALOGUE NUMBER	PART DESCRIPTION	PART STATUS
3-2176708-4	SMA-Q0207FTDU51R1	MELF SMA-Q 51R1 1% 50PPM 0207 0.5W	PRODUCTION
3-2176708-5	SMA-Q0207FTDU52R3	MELF SMA-Q 52R3 1% 50PPM 0207 0.5W	PRODUCTION
3-2176708-6	SMA-Q0207FTDU53R6	MELF SMA-Q 53R6 1% 50PPM 0207 0.5W	PRODUCTION
3-2176708-7	SMA-Q0207FTDU54R9	MELF SMA-Q 54R9 1% 50PPM 0207 0.5W	PRODUCTION
3-2176708-8	SMA-Q0207FTDU56R2	MELF SMA-Q 56R2 1% 50PPM 0207 0.5W	PRODUCTION
3-2176708-9	SMA-Q0207FTDU57R6	MELF SMA-Q 57R6 1% 50PPM 0207 0.5W	PRODUCTION
4-2176708-0	SMA-Q0207FTDU59R	MELF SMA-Q 59R 1% 50PPM 0207 0.5W	PRODUCTION
4-2176708-1	SMA-Q0207FTDU60R4	MELF SMA-Q 60R4 1% 50PPM 0207 0.5W	PRODUCTION
4-2176708-2	SMA-Q0207FTDU61R9	MELF SMA-Q 61R9 1% 50PPM 0207 0.5W	PRODUCTION
4-2176708-3	SMA-Q0207FTDU63R4	MELF SMA-Q 63R4 1% 50PPM 0207 0.5W	PRODUCTION
4-2176708-4	SMA-Q0207FTDU64R9	MELF SMA-Q 64R9 1% 50PPM 0207 0.5W	PRODUCTION
4-2176708-5	SMA-Q0207FTDU66R5	MELF SMA-Q 66R5 1% 50PPM 0207 0.5W	PRODUCTION
4-2176708-6	SMA-Q0207FTDU68R1	MELF SMA-Q 68R1 1% 50PPM 0207 0.5W	PRODUCTION
4-2176708-7	SMA-Q0207FTDU69R8	MELF SMA-Q 69R8 1% 50PPM 0207 0.5W	PRODUCTION
4-2176708-8	SMA-Q0207FTDU71R5	MELF SMA-Q 71R5 1% 50PPM 0207 0.5W	PRODUCTION
4-2176708-9	SMA-Q0207FTDU73R2	MELF SMA-Q 73R2 1% 50PPM 0207 0.5W	PRODUCTION
5-2176708-0	SMA-Q0207FTDU75R	MELF SMA-Q 75R 1% 50PPM 0207 0.5W	PRODUCTION
5-2176708-1	SMA-Q0207FTDU76R8	MELF SMA-Q 76R8 1% 50PPM 0207 0.5W	PRODUCTION
5-2176708-2	SMA-Q0207FTDU78R7	MELF SMA-Q 78R7 1% 50PPM 0207 0.5W	PRODUCTION
5-2176708-3	SMA-Q0207FTDU80R6	MELF SMA-Q 80R6 1% 50PPM 0207 0.5W	PRODUCTION
5-2176708-4	SMA-Q0207FTDU82R5	MELF SMA-Q 82R5 1% 50PPM 0207 0.5W	PRODUCTION
5-2176708-5	SMA-Q0207FTDU84R5	MELF SMA-Q 84R5 1% 50PPM 0207 0.5W	PRODUCTION
5-2176708-6	SMA-Q0207FTDU86R6	MELF SMA-Q 86R6 1% 50PPM 0207 0.5W	PRODUCTION
5-2176708-7	SMA-Q0207FTDU88R7	MELF SMA-Q 88R7 1% 50PPM 0207 0.5W	PRODUCTION
5-2176708-8	SMA-Q0207FTDU90R9	MELF SMA-Q 90R9 1% 50PPM 0207 0.5W	PRODUCTION
5-2176708-9	SMA-Q0207FTDU93R1	MELF SMA-Q 93R1 1% 50PPM 0207 0.5W	PRODUCTION
6-2176708-0	SMA-Q0207FTDU95R3	MELF SMA-Q 95R3 1% 50PPM 0207 0.5W	PRODUCTION
6-2176708-1	SMA-Q0207FTDU97R6	MELF SMA-Q 97R6 1% 50PPM 0207 0.5W	PRODUCTION
6-2176708-2	SMA-Q0207FTDU100R	MELF SMA-Q 100R 1% 50PPM 0207 0.5W	PRODUCTION
6-2176708-3	SMA-Q0207FTDU102R	MELF SMA-Q 102R 1% 50PPM 0207 0.5W	PRODUCTION
6-2176708-4	SMA-Q0207FTDU105R	MELF SMA-Q 105R 1% 50PPM 0207 0.5W	PRODUCTION
6-2176708-5	SMA-Q0207FTDU107R	MELF SMA-Q 107R 1% 50PPM 0207 0.5W	PRODUCTION
6-2176708-6	SMA-Q0207FTDU110R	MELF SMA-Q 110R 1% 50PPM 0207 0.5W	PRODUCTION

THIS DRAWING IS A CONTROLLED DOCUMENT.

DWN DHEERAJ M 29NOV2023

CHK TRACY G 29NOV2023

APVD ALLAN P 29NOV2023

PRODUCT SPEC

APPLICATION SPEC

WEIGHT

CUSTOMER DRAWING



TE Connectivity

METAL FILM PRECISION MELF RESISTORS  
AEC-Q200 QUALIFIED TYPE  
SMA-Q 0207 SERIES

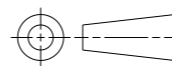
SIZE CAGE CODE DRAWING NO RESTRICTED TO

A3 00779 C-2176708

SCALE 20:1 SHEET 2 OF 3 REV BA

DIMENSIONS:

mm



TOLERANCES UNLESS OTHERWISE SPECIFIED:

0 PLC	±0.2
1 PLC	±0.1
2 PLC	±
3 PLC	±
4 PLC	±
ANGLES	±5°

MATERIAL

FINISH

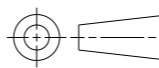
REVISIONS

P	LTR	DESCRIPTION	DATE	DWN	APVD
-		SEE SHEET 1	-	-	-

SCHEDULE

TCPN	CATALOGUE NUMBER	PART DESCRIPTION	PART STATUS
6-2176708-7	SMA-Q0207FTDU113R	MELF SMA-Q 113R 1% 50PPM 0207 0.5W	PRODUCTION
6-2176708-8	SMA-Q0207FTDU115R	MELF SMA-Q 115R 1% 50PPM 0207 0.5W	PRODUCTION
6-2176708-9	SMA-Q0207FTDU118R	MELF SMA-Q 118R 1% 50PPM 0207 0.5W	PRODUCTION
7-2176708-0	SMA-Q0207FTDU121R	MELF SMA-Q 121R 1% 50PPM 0207 0.5W	PRODUCTION
7-2176708-1	SMA-Q0207FTDU124R	MELF SMA-Q 124R 1% 50PPM 0207 0.5W	PRODUCTION
7-2176708-2	SMA-Q0207FTDU127R	MELF SMA-Q 127R 1% 50PPM 0207 0.5W	PRODUCTION
7-2176708-3	SMA-Q0207FTDU130R	MELF SMA-Q 130R 1% 50PPM 0207 0.5W	PRODUCTION
7-2176708-4	SMA-Q0207FTDU133R	MELF SMA-Q 133R 1% 50PPM 0207 0.5W	PRODUCTION
7-2176708-5	SMA-Q0207FTDU137R	MELF SMA-Q 137R 1% 50PPM 0207 0.5W	PRODUCTION
7-2176708-6	SMA-Q0207FTDU140R	MELF SMA-Q 140R 1% 50PPM 0207 0.5W	PRODUCTION
7-2176708-7	SMA-Q0207FTDU143R	MELF SMA-Q 143R 1% 50PPM 0207 0.5W	PRODUCTION
7-2176708-8	SMA-Q0207FTDU147R	MELF SMA-Q 147R 1% 50PPM 0207 0.5W	PRODUCTION
7-2176708-9	SMA-Q0207FTDU150R	MELF SMA-Q 150R 1% 50PPM 0207 0.5W	PRODUCTION
8-2176708-0	SMA-Q0207FTDU154R	MELF SMA-Q 154R 1% 50PPM 0207 0.5W	PRODUCTION
8-2176708-1	SMA-Q0207FTDU158R	MELF SMA-Q 158R 1% 50PPM 0207 0.5W	PRODUCTION
8-2176708-2	SMA-Q0207FTDU162R	MELF SMA-Q 162R 1% 50PPM 0207 0.5W	PRODUCTION
8-2176708-3	SMA-Q0207FTDU165R	MELF SMA-Q 165R 1% 50PPM 0207 0.5W	PRODUCTION
8-2176708-4	SMA-Q0207FTDU169R	MELF SMA-Q 169R 1% 50PPM 0207 0.5W	PRODUCTION
8-2176708-5	SMA-Q0207FTDU174R	MELF SMA-Q 174R 1% 50PPM 0207 0.5W	PRODUCTION
8-2176708-6	SMA-Q0207FTDU178R	MELF SMA-Q 178R 1% 50PPM 0207 0.5W	PRODUCTION
8-2176708-7	SMA-Q0207FTDU182R	MELF SMA-Q 182R 1% 50PPM 0207 0.5W	PRODUCTION
8-2176708-8	SMA-Q0207FTDU187R	MELF SMA-Q 187R 1% 50PPM 0207 0.5W	PRODUCTION
8-2176708-9	SMA-Q0207FTDU191R	MELF SMA-Q 191R 1% 50PPM 0207 0.5W	PRODUCTION
9-2176708-0	SMA-Q0207FTDU196R	MELF SMA-Q 196R 1% 50PPM 0207 0.5W	PRODUCTION
9-2176708-1	SMA-Q0207FTDU200R	MELF SMA-Q 200R 1% 50PPM 0207 0.5W	PRODUCTION
9-2176708-2	SMA-Q0207FTDU205R	MELF SMA-Q 205R 1% 50PPM 0207 0.5W	PRODUCTION
9-2176708-3	SMA-Q0207FTDU210R	MELF SMA-Q 210R 1% 50PPM 0207 0.5W	PRODUCTION
9-2176708-4	SMA-Q0207FTDU215R	MELF SMA-Q 215R 1% 50PPM 0207 0.5W	PRODUCTION
9-2176708-5	SMA-Q0207FTDU221R	MELF SMA-Q 221R 1% 50PPM 0207 0.5W	PRODUCTION
9-2176708-6	SMA-Q0207FTDU226R	MELF SMA-Q 226R 1% 50PPM 0207 0.5W	PRODUCTION
9-2176708-7	SMA-Q0207FTDU232R	MELF SMA-Q 232R 1% 50PPM 0207 0.5W	PRODUCTION
9-2176708-8	SMA-Q0207FTDU237R	MELF SMA-Q 237R 1% 50PPM 0207 0.5W	PRODUCTION
9-2176708-9	SMA-Q0207FTDU243R	MELF SMA-Q 243R 1% 50PPM 0207 0.5W	PRODUCTION

THIS DRAWING IS A CONTROLLED DOCUMENT.

DIMENSIONS:	TOLERANCES UNLESS OTHERWISE SPECIFIED:
mm	0 PLC ±0.2
	1 PLC ±0.1
	2 PLC ±-
	3 PLC ±-
	4 PLC ±-
	ANGLES ±5°
MATERIAL	FINISH
-	-
-	-

DWN	29NOV2023
CHK	29NOV2023
APVD	29NOV2023
PRODUCT SPEC	-
APPLICATION SPEC	-
WEIGHT	-
CUSTOMER DRAWING	

**TE** TE Connectivity

NAME METAL FILM PRECISION MELF RESISTORS  
AEC-Q200 QUALIFIED TYPE  
SMA-Q 0207 SERIES

SIZE	CAGE CODE	DRAWING NO	RESTRICTED TO
A3	00779	©=2176708	-

SCALE 20:1 SHEET 3 OF 3 REV BA