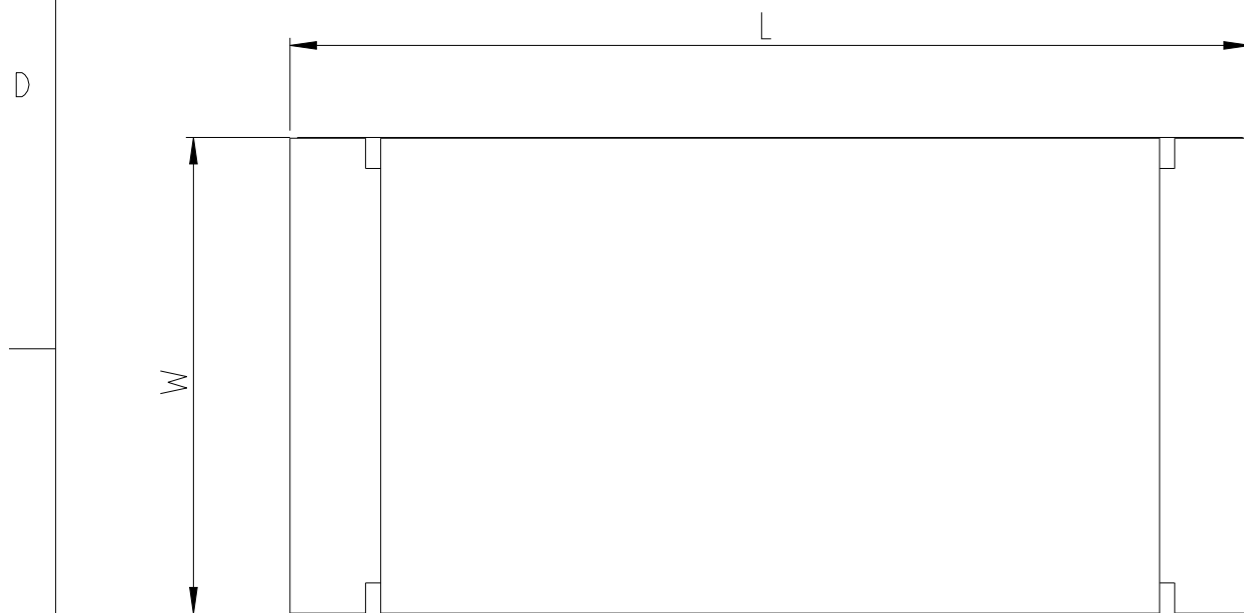
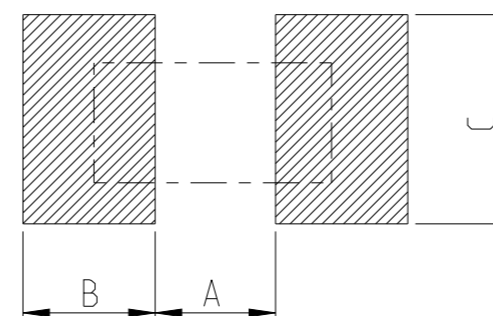
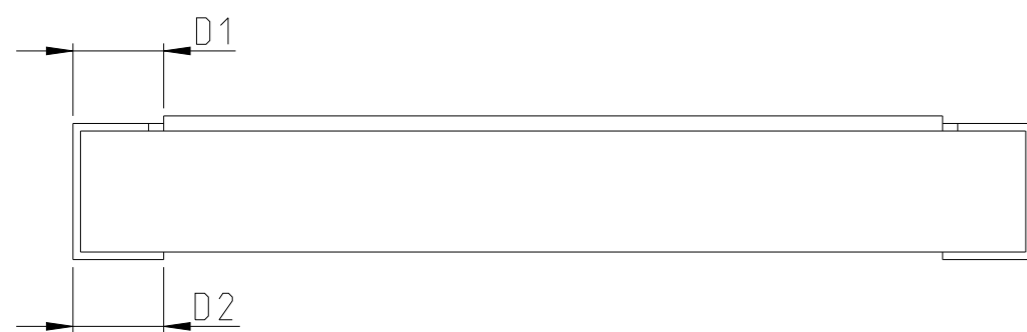


P	LTR	DESCRIPTION	DATE	DWN	APVD
	BA	INITIAL DRAWING RELEASE	01FEB2023	DM	AP

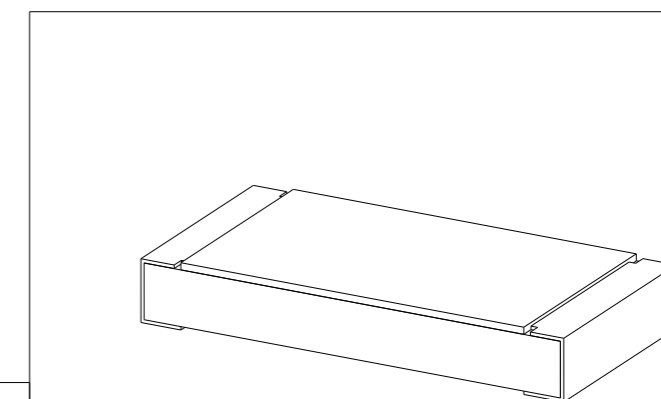


FOR FURTHER INFORMATION SEE DATA SHEET FOR RLC73P SERIES SMD LOW OHMIC CURRENT SENSING RESISTOR

RECOMMENDED LAND PATTERN



RoHS Compliant



SIZE	VALUE	A (mm)	B (mm)	C (mm)
2512	R01-R018 >R047	1.00	3.55	3.20±0.20
2512	R02-R043	4.90	1.60	3.20±0.20

SIZE	VALUE	L (mm)	W (mm)	T (mm)	D1 (mm)	D2 (mm)
2512	R01-R018 >R047	6.35±0.10	3.10±0.15	0.74±0.10	0.60±0.30	2.10±0.10
2512	R02-R043	6.35±0.10	3.15±0.15	0.90±0.10	0.60±0.30	0.60±0.30

THIS DRAWING IS A CONTROLLED DOCUMENT.

DIMENSIONS:	
mm	
	0 PLC ±
	1 PLC ±
	2 PLC ±
	3 PLC ±
	4 PLC ±
	ANGLES ±
	MATERIAL -
	FINISH -

TOLERANCES UNLESS OTHERWISE SPECIFIED:	
0 PLC	±
1 PLC	±
2 PLC	±
3 PLC	±
4 PLC	±
ANGLES	±
FINISH	-
	-

DWN	D. BANGERA	01FEB2023
CHK	A. PILE	01FEB2023
APVD	A. PILE	01FEB2023
PRODUCT SPEC	-	
APPLICATION SPEC	-	
WEIGHT	-	
CUSTOMER DRAWING		



NAME SMD LOW OHMIC CURRENT SENSE RESISTORS TYPE RLC73P 2512 SERIES

SIZE	CAGE CODE	DRAWING NO	RESTRICTED TO
A3	00779	©=2176605	-
SCALE	20:1	SHEET 1 OF 3	REV BA

REVISIONS

P	LTR	DESCRIPTION	DATE	DWN	APVD
	-	SEE SHEET 1	-	-	-

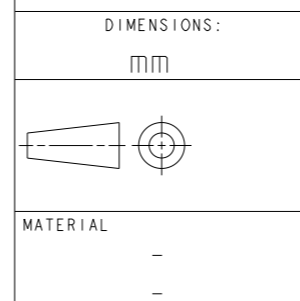
SCHEDULE

TCPN	CATALOGUE NUMBER	PART DESCRIPTION	PART STATUS
2176605-1	RLC73PV3AR01FTDG	RLC73PV 3A R01 1% 2K RL	PRODUCTION
2176605-2	RLC73PV3AR011FTDG	RLC73PV 3A R011 1% 2K RL	PRODUCTION
2176605-3	RLC73PV3AR012FTDG	RLC73PV 3A R012 1% 2K RL	PRODUCTION
2176605-4	RLC73PV3AR013FTDG	RLC73PV 3A R013 1% 2K RL	PRODUCTION
2176605-5	RLC73PV3AR015FTDG	RLC73PV 3A R015 1% 2K RL	PRODUCTION
2176605-6	RLC73PV3AR016FTDG	RLC73PV 3A R016 1% 2K RL	PRODUCTION
2176605-7	RLC73PV3AR018FTDG	RLC73PV 3A R018 1% 2K RL	PRODUCTION
2176605-8	RLC73PH3AR02FTDG	RLC73PH 3A R02 1% 2K RL	PRODUCTION
2176605-9	RLC73PH3AR022FTDG	RLC73PH 3A R022 1% 2K RL	PRODUCTION
1-2176605-0	RLC73PH3AR024FTDG	RLC73PH 3A R024 1% 2K RL	PRODUCTION
1-2176605-1	RLC73PH3AR027FTDG	RLC73PH 3A R027 1% 2K RL	PRODUCTION
1-2176605-2	RLC73PH3AR03FTDG	RLC73PH 3A R03 1% 2K RL	PRODUCTION
1-2176605-3	RLC73PH3AR033FTDG	RLC73PH 3A R033 1% 2K RL	PRODUCTION
1-2176605-4	RLC73PH3AR036FTDG	RLC73PH 3A R036 1% 2K RL	PRODUCTION
1-2176605-5	RLC73PH3AR039FTDG	RLC73PH 3A R039 1% 2K RL	PRODUCTION
1-2176605-6	RLC73PH3AR043FTDG	RLC73PH 3A R043 1% 2K RL	PRODUCTION
1-2176605-7	RLC73PH3AR047FTDG	RLC73PH 3A R047 1% 2K RL	PRODUCTION
1-2176605-8	RLC73PW 3AR051FTDG	RLC73PW 3A R051 1% 2K RL	PRODUCTION
1-2176605-9	RLC73PW 3AR056FTDG	RLC73PW 3A R056 1% 2K RL	PRODUCTION
2-2176605-0	RLC73PW 3AR062FTDG	RLC73PW 3A R062 1% 2K RL	PRODUCTION
2-2176605-1	RLC73PW 3AR068FTDG	RLC73PW 3A R068 1% 2K RL	PRODUCTION
2-2176605-2	RLC73PW 3AR075FTDG	RLC73PW 3A R075 1% 2K RL	PRODUCTION
2-2176605-3	RLC73PW 3AR082FTDG	RLC73PW 3A R082 1% 2K RL	PRODUCTION
2-2176605-4	RLC73PW 3AR091FTDG	RLC73PW 3A R091 1% 2K RL	PRODUCTION
2-2176605-5	RLC73PW 3AR10FTDG	RLC73PW 3A R10 1% 2K RL	PRODUCTION
2-2176605-6	RLC73PW 3AR102FTDG	RLC73PW 3A R102 1% 2K RL	PRODUCTION
2-2176605-7	RLC73PW 3AR105FTDG	RLC73PW 3A R105 1% 2K RL	PRODUCTION
2-2176605-8	RLC73PW 3AR107FTDG	RLC73PW 3A R107 1% 2K RL	PRODUCTION
2-2176605-9	RLC73PW 3AR11FTDG	RLC73PW 3A R11 1% 2K RL	PRODUCTION
3-2176605-0	RLC73PW 3AR113FTDG	RLC73PW 3A R113 1% 2K RL	PRODUCTION
3-2176605-1	RLC73PW 3AR115FTDG	RLC73PW 3A R115 1% 2K RL	PRODUCTION
3-2176605-2	RLC73PW 3AR118FTDG	RLC73PW 3A R118 1% 2K RL	PRODUCTION
3-2176605-3	RLC73PW 3AR121FTDG	RLC73PW 3A R121 1% 2K RL	PRODUCTION

SCHEDULE

TCPN	CATALOGUE NUMBER	PART DESCRIPTION	PART STATUS
3-2176605-4	RLC73PW 3AR124FTDG	RLC73PW 3A R124 1% 2K RL	PRODUCTION
3-2176605-5	RLC73PW 3AR127FTDG	RLC73PW 3A R127 1% 2K RL	PRODUCTION
3-2176605-6	RLC73PW 3AR13FTDG	RLC73PW 3A R13 1% 2K RL	PRODUCTION
3-2176605-7	RLC73PW 3AR133FTDG	RLC73PW 3A R133 1% 2K RL	PRODUCTION
3-2176605-8	RLC73PW 3AR137FTDG	RLC73PW 3A R137 1% 2K RL	PRODUCTION
3-2176605-9	RLC73PW 3AR14FTDG	RLC73PW 3A R14 1% 2K RL	PRODUCTION
4-2176605-0	RLC73PW 3AR143FTDG	RLC73PW 3A R143 1% 2K RL	PRODUCTION
4-2176605-1	RLC73PW 3AR147FTDG	RLC73PW 3A R147 1% 2K RL	PRODUCTION
4-2176605-2	RLC73PD 3AR15FTDG	RLC73PD 3A R15 1% 2K RL	PRODUCTION
4-2176605-3	RLC73PD 3AR154FTDG	RLC73PD 3A R154 1% 2K RL	PRODUCTION
4-2176605-4	RLC73PD 3AR158FTDG	RLC73PD 3A R158 1% 2K RL	PRODUCTION
4-2176605-5	RLC73PD 3AR162FTDG	RLC73PD 3A R162 1% 2K RL	PRODUCTION
4-2176605-6	RLC73PD 3AR165FTDG	RLC73PD 3A R165 1% 2K RL	PRODUCTION
4-2176605-7	RLC73PD 3AR169FTDG	RLC73PD 3A R169 1% 2K RL	PRODUCTION
4-2176605-8	RLC73PD 3AR174FTDG	RLC73PD 3A R174 1% 2K RL	PRODUCTION
4-2176605-9	RLC73PD 3AR178FTDG	RLC73PD 3A R178 1% 2K RL	PRODUCTION
5-2176605-0	RLC73PD 3AR182FTDG	RLC73PD 3A R182 1% 2K RL	PRODUCTION
5-2176605-1	RLC73PD 3AR187FTDG	RLC73PD 3A R187 1% 2K RL	PRODUCTION
5-2176605-2	RLC73PD 3AR191FTDG	RLC73PD 3A R191 1% 2K RL	PRODUCTION
5-2176605-3	RLC73PD 3AR196FTDG	RLC73PD 3A R196 1% 2K RL	PRODUCTION
5-2176605-4	RLC73PD 3AR20FTDG	RLC73PD 3A R20 1% 2K RL	PRODUCTION
5-2176605-5	RLC73PD 3AR205FTDG	RLC73PD 3A R205 1% 2K RL	PRODUCTION
5-2176605-6	RLC73PD 3AR21FTDG	RLC73PD 3A R21 1% 2K RL	PRODUCTION
5-2176605-7	RLC73PD 3AR215FTDG	RLC73PD 3A R215 1% 2K RL	PRODUCTION
5-2176605-8	RLC73PD 3AR221FTDG	RLC73PD 3A R221 1% 2K RL	PRODUCTION
5-2176605-9	RLC73PD 3AR226FTDG	RLC73PD 3A R226 1% 2K RL	PRODUCTION
6-2176605-0	RLC73PD 3AR232FTDG	RLC73PD 3A R232 1% 2K RL	PRODUCTION
6-2176605-1	RLC73PD 3AR237FTDG	RLC73PD 3A R237 1% 2K RL	PRODUCTION
6-2176605-2	RLC73PD 3AR243FTDG	RLC73PD 3A R243 1% 2K RL	PRODUCTION
6-2176605-3	RLC73PD 3AR249FTDG	RLC73PD 3A R249 1% 2K RL	PRODUCTION
6-2176605-4	RLC73PD 3AR255FTDG	RLC73PD 3A R255 1% 2K RL	PRODUCTION
6-2176605-5	RLC73PD 3AR261FTDG	RLC73PD 3A R261 1% 2K RL	PRODUCTION
6-2176605-6	RLC73PD 3AR267FTDG	RLC73PD 3A R267 1% 2K RL	PRODUCTION

THIS DRAWING IS A CONTROLLED DOCUMENT.



DWN	D. BANGERA	01FEB2023
CHK	A. PILE	01FEB2023
APVD	A. PILE	01FEB2023
PRODUCT SPEC	-	-
APPLICATION SPEC	-	-
WEIGHT	-	-
CUSTOMER DRAWING		



NAME SMD LOW OHMIC CURRENT SENSE RESISTORS TYPE RLC73P 2512 SERIES


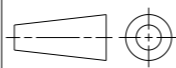
SIZE	CAGE CODE	DRAWING NO	RESTRICTED TO
A3	00779	©-2176605	-
SCALE	SHEET	OF	REV
10:1	2	3	BA

REVISIONS

P	LTR	DESCRIPTION	DATE	DWN	APVD
-		SEE SHEET 1	-	-	-

SCHEDULE

TCPN	CATALOGUE NUMBER	PART DESCRIPTION	PART STATUS
6-2176605-7	RLC73PD3AR274FTDG	RLC73PD 3A R274 1% 2K RL	PRODUCTION
6-2176605-8	RLC73PD3AR287FTDG	RLC73PD 3A R287 1% 2K RL	PRODUCTION
6-2176605-9	RLC73PD3AR294FTDG	RLC73PD 3A R294 1% 2K RL	PRODUCTION
7-2176605-0	RLC73PD3AR301FTDG	RLC73PD 3A R301 1% 2K RL	PRODUCTION
7-2176605-1	RLC73PD3AR309FTDG	RLC73PD 3A R309 1% 2K RL	PRODUCTION
7-2176605-2	RLC73PD3AR316FTDG	RLC73PD 3A R316 1% 2K RL	PRODUCTION
7-2176605-3	RLC73PD3AR324FTDG	RLC73PD 3A R324 1% 2K RL	PRODUCTION
7-2176605-4	RLC73PD3AR332FTDG	RLC73PD 3A R332 1% 2K RL	PRODUCTION
7-2176605-5	RLC73PD3AR348FTDG	RLC73PD 3A R348 1% 2K RL	PRODUCTION
7-2176605-6	RLC73PD3AR357FTDG	RLC73PD 3A R357 1% 2K RL	PRODUCTION
7-2176605-7	RLC73PD3AR365FTDG	RLC73PD 3A R365 1% 2K RL	PRODUCTION
7-2176605-8	RLC73PD3AR374FTDG	RLC73PD 3A R374 1% 2K RL	PRODUCTION
7-2176605-9	RLC73PD3AR383FTDG	RLC73PD 3A R383 1% 2K RL	PRODUCTION
8-2176605-0	RLC73PD3AR392FTDG	RLC73PD 3A R392 1% 2K RL	PRODUCTION
8-2176605-1	RLC73PD3AR402FTDG	RLC73PD 3A R402 1% 2K RL	PRODUCTION
8-2176605-2	RLC73PD3AR412FTDG	RLC73PD 3A R412 1% 2K RL	PRODUCTION
8-2176605-3	RLC73PD3AR422FTDG	RLC73PD 3A R422 1% 2K RL	PRODUCTION
8-2176605-4	RLC73PD3AR432FTDG	RLC73PD 3A R432 1% 2K RL	PRODUCTION
8-2176605-5	RLC73PD3AR442FTDG	RLC73PD 3A R442 1% 2K RL	PRODUCTION
8-2176605-6	RLC73PD3AR453FTDG	RLC73PD 3A R453 1% 2K RL	PRODUCTION
8-2176605-7	RLC73PD3AR464FTDG	RLC73PD 3A R464 1% 2K RL	PRODUCTION
8-2176605-8	RLC73PD3AR475FTDG	RLC73PD 3A R475 1% 2K RL	PRODUCTION
8-2176605-9	RLC73PD3AR487FTDG	RLC73PD 3A R487 1% 2K RL	PRODUCTION
9-2176605-0	RLC73PD3AR499FTDG	RLC73PD 3A R499 1% 2K RL	PRODUCTION
9-2176605-1	RLC73PD3AR511FTDG	RLC73PD 3A R511 1% 2K RL	PRODUCTION
9-2176605-2	RLC73PD3AR523FTDG	RLC73PD 3A R523 1% 2K RL	PRODUCTION
9-2176605-3	RLC73PD3AR536FTDG	RLC73PD 3A R536 1% 2K RL	PRODUCTION
9-2176605-4	RLC73PD3AR549FTDG	RLC73PD 3A R549 1% 2K RL	PRODUCTION
9-2176605-5	RLC73PD3AR562FTDG	RLC73PD 3A R562 1% 2K RL	PRODUCTION
9-2176605-6	RLC73PD3AR576FTDG	RLC73PD 3A R576 1% 2K RL	PRODUCTION
9-2176605-7	RLC73PD3AR599FTDG	RLC73PD 3A R599 1% 2K RL	PRODUCTION

THIS DRAWING IS A CONTROLLED DOCUMENT.		DWN D. BANGERA	01FEB2023	 TE Connectivity
DIMENSIONS: mm		CHK A. PILE	01FEB2023	
		APVD A. PILE	01FEB2023	
TOLERANCES UNLESS OTHERWISE SPECIFIED:		PRODUCT SPEC		NAME SMD LOW OHMIC CURRENT SENSE RESISTORS TYPE RLC73P 2512 SERIES
0 PLC ± 1 PLC ± 2 PLC ± 3 PLC ± 4 PLC ± ANGLES ±		APPLICATION SPEC		SIZE A3
MATERIAL -		WEIGHT -		CAGE CODE 00779
		CUSTOMER DRAWING		DRAWING NO C=2176605
				RESTRICTED TO -
				SCALE 20:1
				SHEET 3 OF 3
				REV BA