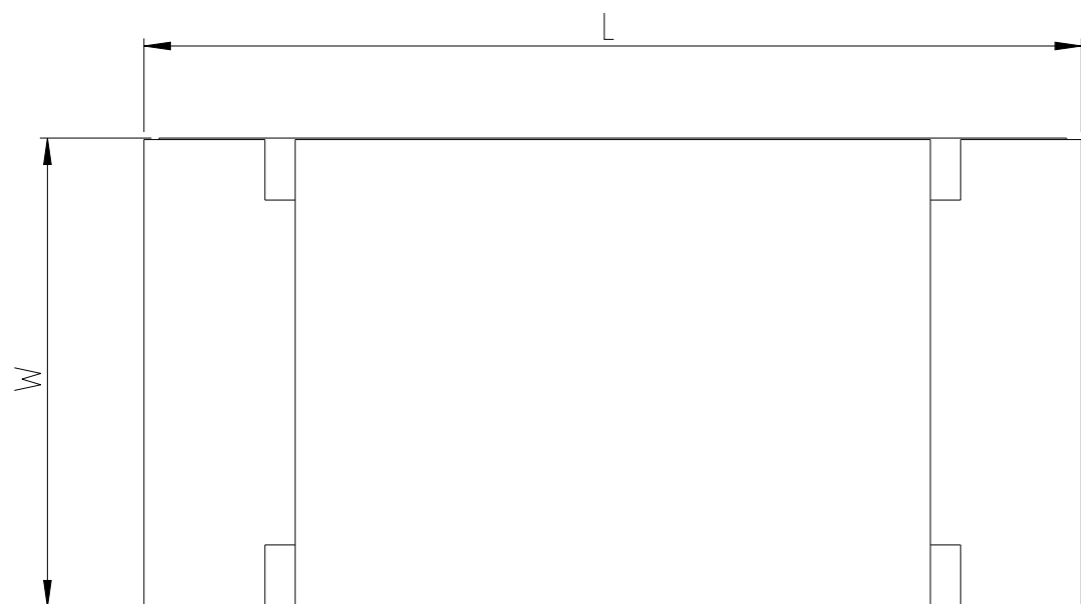
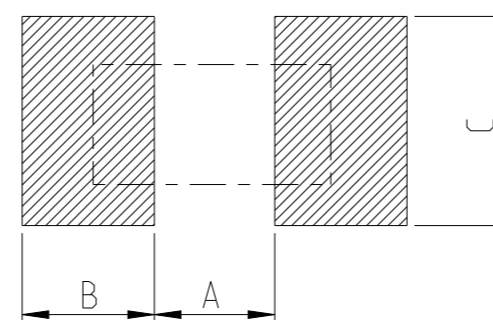
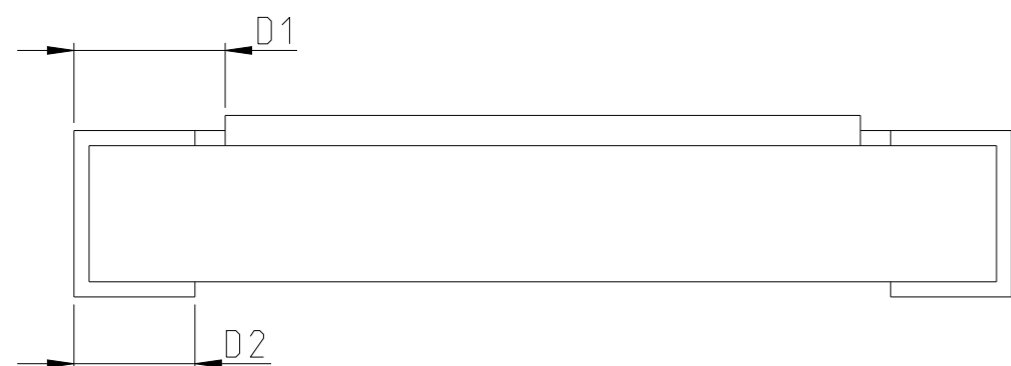


P	LTR	DESCRIPTION	DATE	DWN	APVD
	BA	INITIAL DRAWING RELEASE	01FEB2023	DM	AP



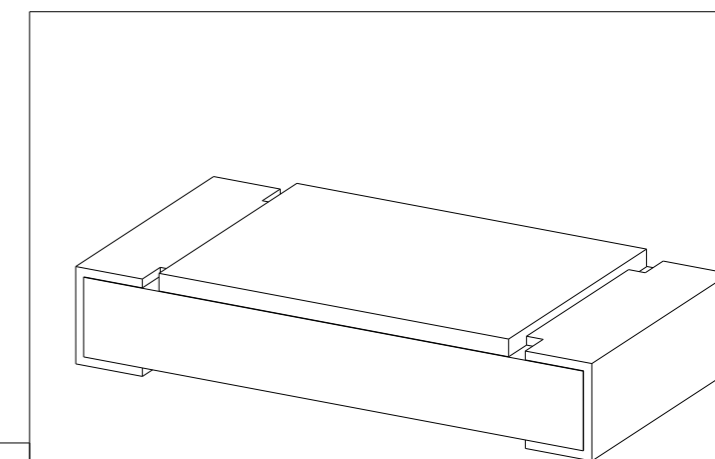
FOR FURTHER INFORMATION SEE DATA SHEET FOR RLC73P SERIES SMD LOW OHMIC CURRENT SENSING RESISTOR

RECOMMENDED LAND PATTERN



SIZE	A (mm)	B (mm)	C (mm)
1206	2.00	1.15	1.70±0.20

RoHS Compliant



SIZE	L (mm)	W (mm)	T (mm)	D1 (mm)	D2 (mm)
1206	3.10±0.10	1.55±0.10	0.55±0.10	0.50±0.30	0.40±0.25

THIS DRAWING IS A CONTROLLED DOCUMENT.

DIMENSIONS: mm		TOLERANCES UNLESS OTHERWISE SPECIFIED:	
	0 PLC	±	
	1 PLC	±	
	2 PLC	±	
	3 PLC	±	
	4 PLC	±	
	ANGLES	±	
MATERIAL	FINISH		
-	-		
-	-		

DWN	D. BANGERA	01FEB2023
CHK	A. PILE	01FEB2023
APVD	A. PILE	01FEB2023
PRODUCT SPEC	-	
APPLICATION SPEC	-	
WEIGHT	-	
CUSTOMER DRAWING		



NAME  
SMD LOW OHMIC CURRENT SENSE RESISTORS  
TYPE RLC73P 1206 SERIES

SIZE	CAGE CODE	DRAWING NO	RESTRICTED TO
A3	00779	C=2176583	-
SCALE		SHEET	REV
40:1		1 OF 3	BA

REVISIONS

P	LTR	DESCRIPTION	DATE	DWN	APVD
	-	SEE SHEET 1	-	-	-

SCHEDULE

TCPN	CATALOGUE NUMBER	PART DESCRIPTION	PART STATUS
2176583-1	RLC73PV2BR01FTDF	RLC73PV 2B R01 1% 1K RL	PRODUCTION
2176583-2	RLC73PV2BR011FTDF	RLC73PV 2B R011 1% 1K RL	PRODUCTION
2176583-3	RLC73PV2BR012FTDF	RLC73PV 2B R012 1% 1K RL	PRODUCTION
2176583-4	RLC73PV2BR013FTDF	RLC73PV 2B R013 1% 1K RL	PRODUCTION
2176583-5	RLC73PV2BR015FTDF	RLC73PV 2B R015 1% 1K RL	PRODUCTION
2176583-6	RLC73PV2BR016FTDF	RLC73PV 2B R016 1% 1K RL	PRODUCTION
2176583-7	RLC73PV2BR018FTDF	RLC73PV 2B R018 1% 1K RL	PRODUCTION
2176583-8	RLC73PV2BR02FTDF	RLC73PV 2B R02 1% 1K RL	PRODUCTION
2176583-9	RLC73PM2BR022FTDF	RLC73PM 2B R022 1% 1K RL	PRODUCTION
1-2176583-0	RLC73PM2BR024FTDF	RLC73PM 2B R024 1% 1K RL	PRODUCTION
1-2176583-1	RLC73PM2BR027FTDF	RLC73PM 2B R027 1% 1K RL	PRODUCTION
1-2176583-2	RLC73PM2BR03FTDF	RLC73PM 2B R03 1% 1K RL	PRODUCTION
1-2176583-3	RLC73PM2BR033FTDF	RLC73PM 2B R033 1% 1K RL	PRODUCTION
1-2176583-4	RLC73PM2BR036FTDF	RLC73PM 2B R036 1% 1K RL	PRODUCTION
1-2176583-5	RLC73PM2BR039FTDF	RLC73PM 2B R039 1% 1K RL	PRODUCTION
1-2176583-6	RLC73PM2BR043FTDF	RLC73PM 2B R043 1% 1K RL	PRODUCTION
1-2176583-7	RLC73PM2BR047FTDF	RLC73PM 2B R047 1% 1K RL	PRODUCTION
1-2176583-8	RLC73PN2BR051FTDF	RLC73PN 2B R051 1% 1K RL	PRODUCTION
1-2176583-9	RLC73PN2BR056FTDF	RLC73PN 2B R056 1% 1K RL	PRODUCTION
2-2176583-0	RLC73PN2BR062FTDF	RLC73PN 2B R062 1% 1K RL	PRODUCTION
2-2176583-1	RLC73PN2BR068FTDF	RLC73PN 2B R068 1% 1K RL	PRODUCTION
2-2176583-2	RLC73PH2BR075FTDF	RLC73PH 2B R075 1% 1K RL	PRODUCTION
2-2176583-3	RLC73PH2BR082FTDF	RLC73PH 2B R082 1% 1K RL	PRODUCTION
2-2176583-4	RLC73PH2BR091FTDF	RLC73PH 2B R091 1% 1K RL	PRODUCTION
2-2176583-5	RLC73PH2BR10FTDF	RLC73PH 2B R10 1% 1K RL	PRODUCTION
2-2176583-6	RLC73PW 2BR102FTDF	RLC73PW 2B R102 1% 1K RL	PRODUCTION
2-2176583-7	RLC73PW 2BR105FTDF	RLC73PW 2B R105 1% 1K RL	PRODUCTION
2-2176583-8	RLC73PW 2BR107FTDF	RLC73PW 2B R107 1% 1K RL	PRODUCTION
2-2176583-9	RLC73PW 2BR11FTDF	RLC73PW 2B R11 1% 1K RL	PRODUCTION
3-2176583-0	RLC73PW 2BR113FTDF	RLC73PW 2B R113 1% 1K RL	PRODUCTION
3-2176583-1	RLC73PW 2BR115FTDF	RLC73PW 2B R115 1% 1K RL	PRODUCTION
3-2176583-2	RLC73PW 2BR118FTDF	RLC73PW 2B R118 1% 1K RL	PRODUCTION
3-2176583-3	RLC73PW 2BR121FTDF	RLC73PW 2B R121 1% 1K RL	PRODUCTION

SCHEDULE

TCPN	CATALOGUE NUMBER	PART DESCRIPTION	PART STATUS
3-2176583-4	RLC73PW 2BR124FTDF	RLC73PW 2B R124 1% 1K RL	PRODUCTION
3-2176583-5	RLC73PW 2BR127FTDF	RLC73PW 2B R127 1% 1K RL	PRODUCTION
3-2176583-6	RLC73PW 2BR13FTDF	RLC73PW 2B R13 1% 1K RL	PRODUCTION
3-2176583-7	RLC73PW 2BR133FTDF	RLC73PW 2B R133 1% 1K RL	PRODUCTION
3-2176583-8	RLC73PW 2BR137FTDF	RLC73PW 2B R137 1% 1K RL	PRODUCTION
3-2176583-9	RLC73PW 2BR14FTDF	RLC73PW 2B R14 1% 1K RL	PRODUCTION
4-2176583-0	RLC73PW 2BR143FTDF	RLC73PW 2B R143 1% 1K RL	PRODUCTION
4-2176583-1	RLC73PW 2BR147FTDF	RLC73PW 2B R147 1% 1K RL	PRODUCTION
4-2176583-2	RLC73PD2BR15FTDF	RLC73PD 2B R15 1% 1K RL	PRODUCTION
4-2176583-3	RLC73PD2BR154FTDF	RLC73PD 2B R154 1% 1K RL	PRODUCTION
4-2176583-4	RLC73PD2BR158FTDF	RLC73PD 2B R158 1% 1K RL	PRODUCTION
4-2176583-5	RLC73PD2BR162FTDF	RLC73PD 2B R162 1% 1K RL	PRODUCTION
4-2176583-6	RLC73PD2BR165FTDF	RLC73PD 2B R165 1% 1K RL	PRODUCTION
4-2176583-7	RLC73PD2BR169FTDF	RLC73PD 2B R169 1% 1K RL	PRODUCTION
4-2176583-8	RLC73PD2BR174FTDF	RLC73PD 2B R174 1% 1K RL	PRODUCTION
4-2176583-9	RLC73PD2BR178FTDF	RLC73PD 2B R178 1% 1K RL	PRODUCTION
5-2176583-0	RLC73PD2BR182FTDF	RLC73PD 2B R182 1% 1K RL	PRODUCTION
5-2176583-1	RLC73PD2BR187FTDF	RLC73PD 2B R187 1% 1K RL	PRODUCTION
5-2176583-2	RLC73PD2BR191FTDF	RLC73PD 2B R191 1% 1K RL	PRODUCTION
5-2176583-3	RLC73PD2BR196FTDF	RLC73PD 2B R196 1% 1K RL	PRODUCTION
5-2176583-4	RLC73PD2BR20FTDF	RLC73PD 2B R20 1% 1K RL	PRODUCTION
5-2176583-5	RLC73PD2BR205FTDF	RLC73PD 2B R205 1% 1K RL	PRODUCTION
5-2176583-6	RLC73PD2BR21FTDF	RLC73PD 2B R21 1% 1K RL	PRODUCTION
5-2176583-7	RLC73PD2BR215FTDF	RLC73PD 2B R215 1% 1K RL	PRODUCTION
5-2176583-8	RLC73PD2BR221FTDF	RLC73PD 2B R221 1% 1K RL	PRODUCTION
5-2176583-9	RLC73PD2BR226FTDF	RLC73PD 2B R226 1% 1K RL	PRODUCTION
6-2176583-0	RLC73PD2BR232FTDF	RLC73PD 2B R232 1% 1K RL	PRODUCTION
6-2176583-1	RLC73PD2BR237FTDF	RLC73PD 2B R237 1% 1K RL	PRODUCTION
6-2176583-2	RLC73PD2BR243FTDF	RLC73PD 2B R243 1% 1K RL	PRODUCTION
6-2176583-3	RLC73PD2BR249FTDF	RLC73PD 2B R249 1% 1K RL	PRODUCTION
6-2176583-4	RLC73PD2BR255FTDF	RLC73PD 2B R255 1% 1K RL	PRODUCTION
6-2176583-5	RLC73PD2BR261FTDF	RLC73PD 2B R261 1% 1K RL	PRODUCTION
6-2176583-6	RLC73PD2BR267FTDF	RLC73PD 2B R267 1% 1K RL	PRODUCTION

THIS DRAWING IS A CONTROLLED DOCUMENT.

DIMENSIONS:	TOLERANCES UNLESS OTHERWISE SPECIFIED:
mm	0 PLC ±
	1 PLC ±
	2 PLC ±
	3 PLC ±
	4 PLC ±
	ANGLES ±
MATERIAL	FINISH
-	-
-	-

DWN	01FEB2023
D. BANGERA	
CHK	01FEB2023
A. PILE	
APVD	01FEB2023
A. PILE	
PRODUCT SPEC	-
APPLICATION SPEC	-
WEIGHT	-
CUSTOMER DRAWING	



NAME SMD LOW OHMIC CURRENT SENSE RESISTORS TYPE RLC73P 1206 SERIES

SIZE	CAGE CODE	DRAWING NO	RESTRICTED TO
A3	00779	©-2176583	-
SCALE	SHEET	OF	REV
10:1	2	3	BA

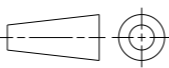
REVISIONS

P	LTR	DESCRIPTION	DATE	DWN	APVD
-		SEE SHEET 1	-	-	-

SCHEDULE

TCPN	CATALOGUE NUMBER	PART DESCRIPTION	PART STATUS
6-2176583-7	RLC73PD2BR274FTDF	RLC73PD 2B R274 1% 1K RL	PRODUCTION
6-2176583-8	RLC73PD2BR28FTDF	RLC73PD 2B R28 1% 1K RL	PRODUCTION
6-2176583-9	RLC73PD2BR287FTDF	RLC73PD 2B R287 1% 1K RL	PRODUCTION
7-2176583-0	RLC73PD2BR294FTDF	RLC73PD 2B R294 1% 1K RL	PRODUCTION
7-2176583-1	RLC73PD2BR301FTDF	RLC73PD 2B R301 1% 1K RL	PRODUCTION
7-2176583-2	RLC73PD2BR309FTDF	RLC73PD 2B R309 1% 1K RL	PRODUCTION
7-2176583-3	RLC73PD2BR316FTDF	RLC73PD 2B R316 1% 1K RL	PRODUCTION
7-2176583-4	RLC73PD2BR324FTDF	RLC73PD 2B R324 1% 1K RL	PRODUCTION
7-2176583-5	RLC73PD2BR332FTDF	RLC73PD 2B R332 1% 1K RL	PRODUCTION
7-2176583-6	RLC73PD2BR34FTDF	RLC73PD 2B R34 1% 1K RL	PRODUCTION
7-2176583-7	RLC73PD2BR348FTDF	RLC73PD 2B R348 1% 1K RL	PRODUCTION
7-2176583-8	RLC73PD2BR357FTDF	RLC73PD 2B R357 1% 1K RL	PRODUCTION
7-2176583-9	RLC73PD2BR365FTDF	RLC73PD 2B R365 1% 1K RL	PRODUCTION
8-2176583-0	RLC73PD2BR374FTDF	RLC73PD 2B R374 1% 1K RL	PRODUCTION
8-2176583-1	RLC73PD2BR383FTDF	RLC73PD 2B R383 1% 1K RL	PRODUCTION
8-2176583-2	RLC73PD2BR392FTDF	RLC73PD 2B R392 1% 1K RL	PRODUCTION
8-2176583-3	RLC73PD2BR402FTDF	RLC73PD 2B R402 1% 1K RL	PRODUCTION
8-2176583-4	RLC73PD2BR412FTDF	RLC73PD 2B R412 1% 1K RL	PRODUCTION
8-2176583-5	RLC73PD2BR422FTDF	RLC73PD 2B R422 1% 1K RL	PRODUCTION
8-2176583-6	RLC73PD2BR432FTDF	RLC73PD 2B R432 1% 1K RL	PRODUCTION
8-2176583-7	RLC73PD2BR442FTDF	RLC73PD 2B R442 1% 1K RL	PRODUCTION
8-2176583-8	RLC73PD2BR453FTDF	RLC73PD 2B R453 1% 1K RL	PRODUCTION
8-2176583-9	RLC73PD2BR464FTDF	RLC73PD 2B R464 1% 1K RL	PRODUCTION
9-2176583-0	RLC73PD2BR475FTDF	RLC73PD 2B R475 1% 1K RL	PRODUCTION
9-2176583-1	RLC73PD2BR487FTDF	RLC73PD 2B R487 1% 1K RL	PRODUCTION
9-2176583-2	RLC73PD2BR499FTDF	RLC73PD 2B R499 1% 1K RL	PRODUCTION
9-2176583-3	RLC73PD2BR511FTDF	RLC73PD 2B R511 1% 1K RL	PRODUCTION
9-2176583-4	RLC73PD2BR523FTDF	RLC73PD 2B R523 1% 1K RL	PRODUCTION
9-2176583-5	RLC73PD2BR536FTDF	RLC73PD 2B R536 1% 1K RL	PRODUCTION
9-2176583-6	RLC73PD2BR549FTDF	RLC73PD 2B R549 1% 1K RL	PRODUCTION
9-2176583-7	RLC73PD2BR562FTDF	RLC73PD 2B R562 1% 1K RL	PRODUCTION
9-2176583-8	RLC73PD2BR576FTDF	RLC73PD 2B R576 1% 1K RL	PRODUCTION
9-2176583-9	RLC73PD2BR59FTDF	RLC73PD 2B R59 1% 1K RL	PRODUCTION

THIS DRAWING IS A CONTROLLED DOCUMENT.

DIMENSIONS: mm	TOLERANCES UNLESS OTHERWISE SPECIFIED:
	0 PLC ± 1 PLC ± 2 PLC ± 3 PLC ± 4 PLC ± ANGLES ±
MATERIAL	FINISH
-	-
-	-

DWN D. BANGERA	01FEB2023
CHK A. PILE	01FEB2023
APVD A. PILE	01FEB2023
PRODUCT SPEC	-
APPLICATION SPEC	-
WEIGHT	-
CUSTOMER DRAWING	

**TE** TE Connectivity

NAME: SMD LOW OHMIC CURRENT SENSE RESISTORS  
TYPE RLC73P 1206 SERIES

SIZE	CAGE CODE	DRAWING NO	RESTRICTED TO
A3	00779	©=2176583	-

SCALE 40:1 SHEET 3 OF 3 REV BA