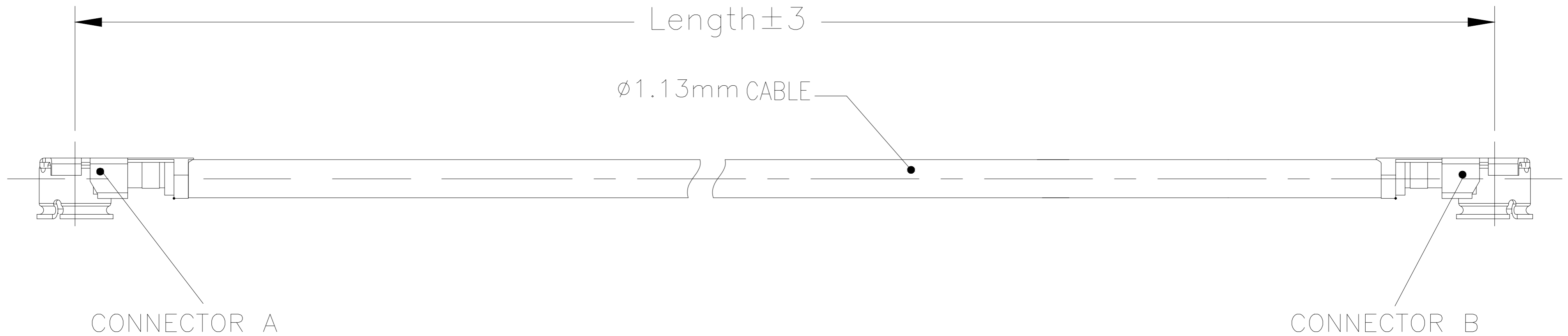
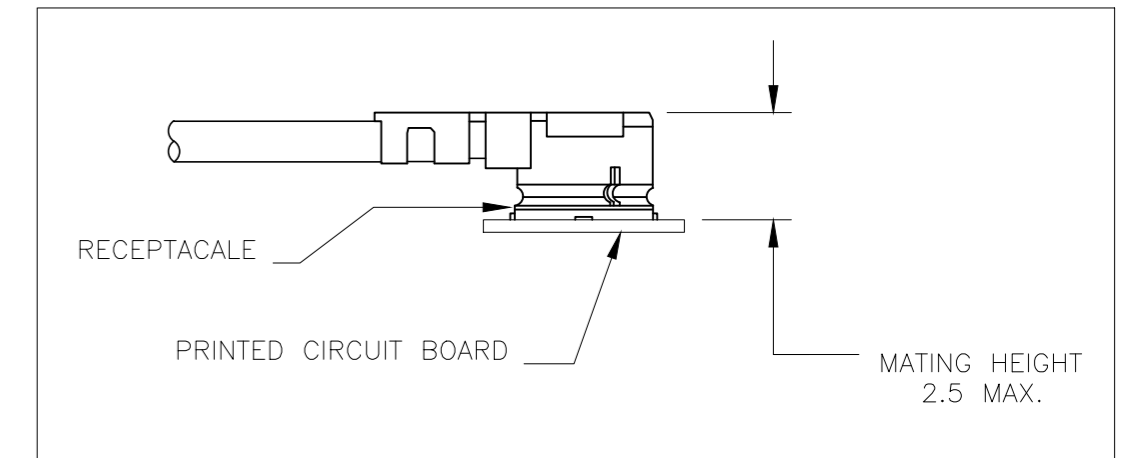
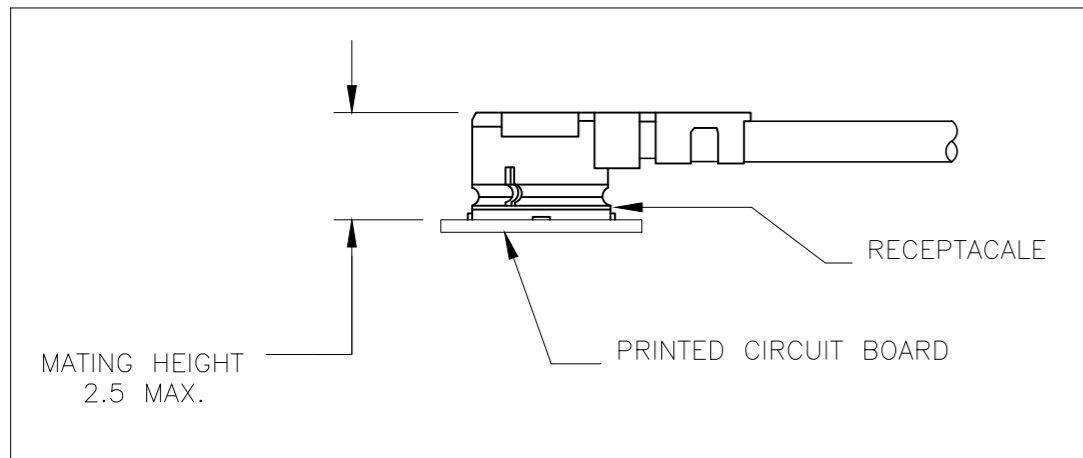


THIS DRAWING IS UNPUBLISHED. RELEASED FOR PUBLICATION
 © COPYRIGHT - TE Connectivity Ltd. ALL RIGHTS RESERVED.

REVISIONS					
P	LTR	DESCRIPTION	DATE	DWN	APVD
A		INITIAL CREATED	27JULY2017	CL	RS



1. PRODUCT AND PROCESSING MUST MEET REQUIREMENTS OF TE-138-702.
2. MECHANICAL CHARACTERISTICS:
 - 2.1. DURABILITY(MATING CRYCLES): NO LESS THAN 30
 - 2.2. WIRE PULL-OUT FORCE: 1.5KG MIN
 - 2.3. CABLE BEND RADIUS: 6.8MM MIN
3. ELECTRICAL CHARACTERISTICS:

3.1. CONTACT RESISTANCE	INNER CONDUCTOR:	20mohm MAX
	OUTER CONDUCTOR:	10mohm MAX
3.2. INSULATION RESISTANCE:		5Mohm Min
3.3. IMPEDANCE:		50ohm Normal
3.4. VSWR:		1.35Max @DC~3GHz; 1.50Max @3~6GHz
3.5. WORKING VOLTAGE:		30V D.C
3.6. FREQUENCY RANGE:		DC~6GHz
3.7. INSERTION LOSS:		(4.4*Length+0.4)dB MAX @6GHz (length:meter)
4. RATED TEMPEARTURE: -40°C~+90°C
5. follow TE product specification: 108-2231

TE P/N	LENGTH	CONNECTOR A	CONNECTOR B
2016493-1	30	IPEX:20278-112R-13	IPEX:20278-112R-13
		COAXIAL CABLE,1.13MM D.D,SINGLE BRAIDED,FEP JACKET,BLACK	CABLE
		CONN,UMCC,RIGHT ANGLE,FEMALE,GOLD PLATED	CONNECTOR
		DESCRIPTION	MATERIAL

THIS DRAWING IS A CONTROLLED DOCUMENT.		DWN Cedar Liu 16MAY2018	TE Connectivity Ltd.																			
DIMENSIONS: mm		CHK Cedar Liu 16MAY2018																				
TOLERANCES UNLESS OTHERWISE SPECIFIED:		APVD Roger Song 16MAY2018	NAME RF C/A, UMCC CONN.,WITH 1.13MM COAXIAL CABLE																			
<table border="0"> <tr><td>0 PLC</td><td>±</td><td>-</td></tr> <tr><td>1 PLC</td><td>±</td><td>0.30</td></tr> <tr><td>2 PLC</td><td>±</td><td>0.20</td></tr> <tr><td>3 PLC</td><td>±</td><td>-</td></tr> <tr><td>4 PLC</td><td>±</td><td>-</td></tr> <tr><td>ANGLES</td><td>±</td><td>-</td></tr> </table>		0 PLC	±	-	1 PLC	±	0.30	2 PLC	±	0.20	3 PLC	±	-	4 PLC	±	-	ANGLES	±	-	PRODUCT SPEC -	-	
0 PLC	±	-																				
1 PLC	±	0.30																				
2 PLC	±	0.20																				
3 PLC	±	-																				
4 PLC	±	-																				
ANGLES	±	-																				
MATERIAL		APPLICATION SPEC -	WEIGHT 0	RESTRICTED TO -																		
FINISH		FINISH -	CUSTOMER DRAWING	SCALE N.T.S																		
		SIZE A2	CAGE CODE 00779	DRAWING NO C=2016493																		
		WEIGHT 0	SHEET 1 of 1	REV A																		