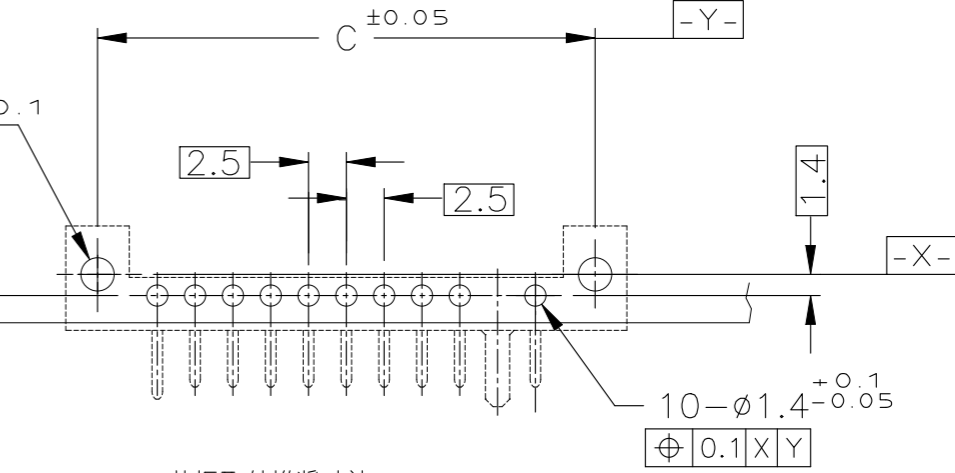
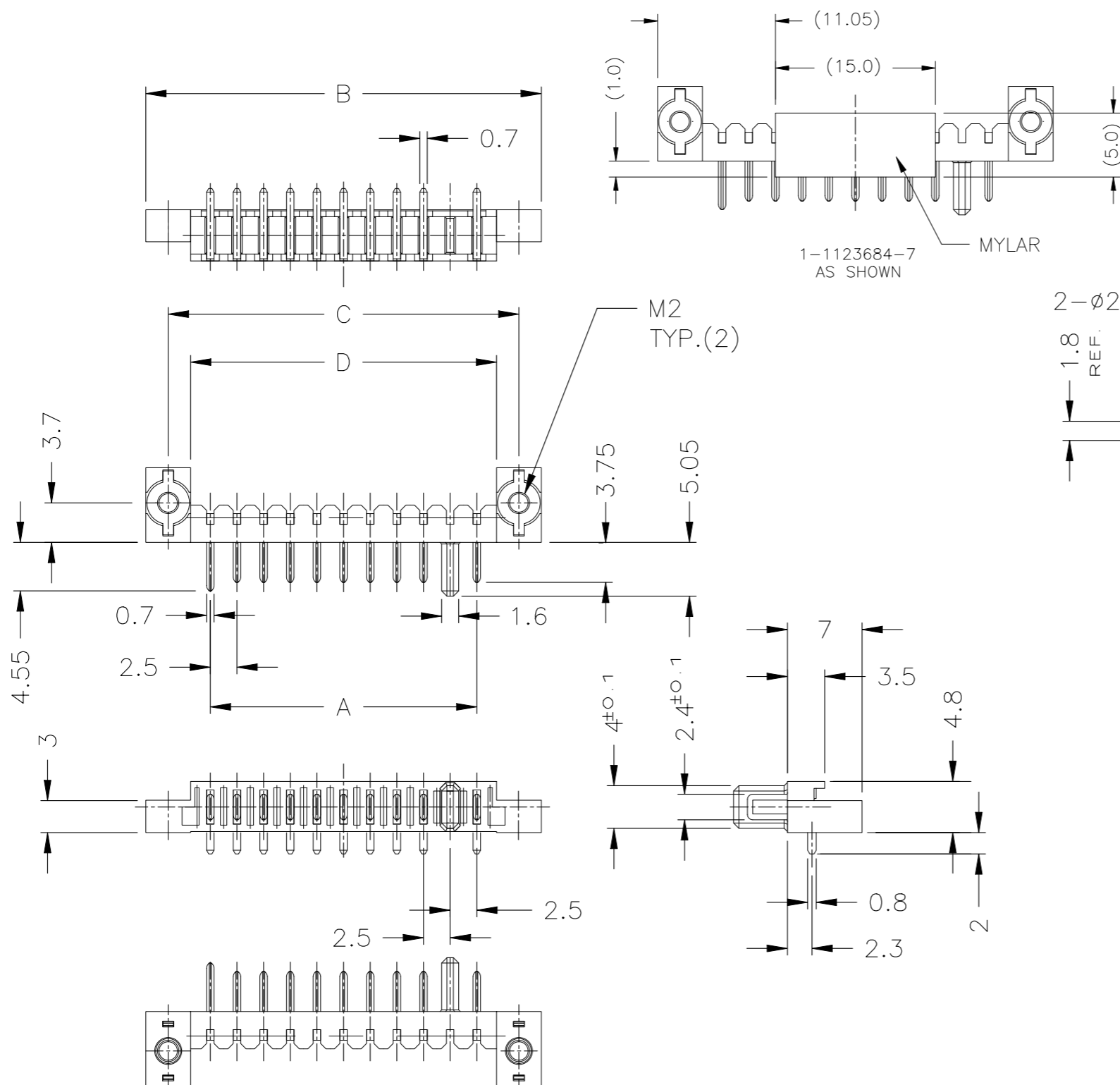


REVISIONS 変更					
P	LTR	DESCRIPTION	DATE	DWN	APVD
	C4	REVISED AS PER ECR-25-239510	27MAR2025	MK	MS

-7/1-7 : AS SHOWN
本図



基板取付推奨寸法
RECOMMENDED P.C. BOARD LAYOUT
P.C. BOARD THK 0.8~1.2
(VIEW FROM CONNECTOR MOUNTING SIDE)

- ① 材料 ハウジング : 熱可塑性樹脂 UL94V-0
色 ; 黒
コンタクト : 銅合金
ナットプレート : ステンレススチール
- ② 仕上げ コンタクト : Ni 下地メッキ
接触部 金メッキ
半田付け部 金フラッシュメッキ
- ③ MATERIAL HOUSING : THERMOPLASTIC RESIN, UL94V-0
COLOR ; BLACK
CONTACT : COPPER ALLOY
NUT-PLATE : STAINLESS STEEL
- ④ FINISH CONTACT : Ni ALL OVER UNDER PL
GOLD PL. AT CONTACT AREA
GOLD FLUSH PL. AT LEAD AREA
- ⑤ FOR PACKAGING TAPE & REEL WITH MYLAR.

28.7	32.9	37.1	25	10	1-1123684-7
28.7	32.9	37.1	25	10	1123684-7
26.2	30.4	34.6	22.5	9	1123684-6
23.7	27.9	32.1	20	8	1123684-5
21.2	25.4	29.6	17.5	7	1123684-4
18.7	22.9	27.1	15	6	1123684-3
16.2	20.4	24.6	12.5	5	1123684-2
13.7	17.9	22.1	10	4	1123684-1
D	C	B	A	N (POS)	P/N

THIS DRAWING IS A CONTROLLED DOCUMENT.

DIMENSIONS:
単位: 耗
mm

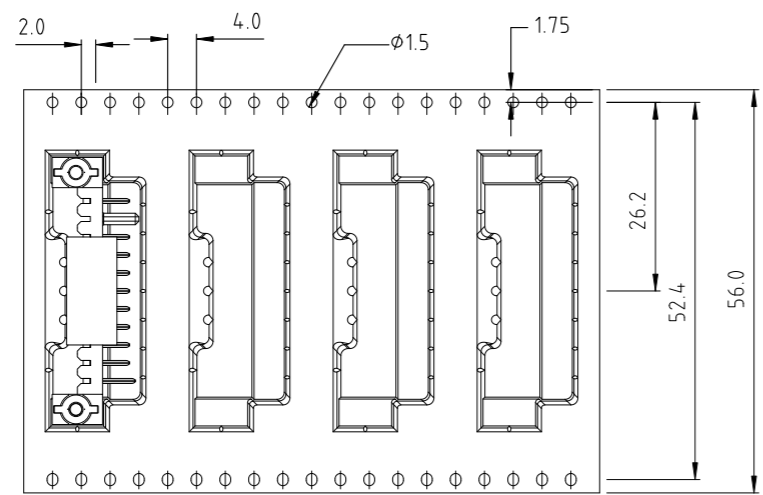
TOLERANCES UNLESS OTHERWISE SPECIFIED:
一般公差

∅-PLC ± 0.15
1-PLC ±
2-PLC ±
3-PLC ±
4-PLC ±
ANGLES ± 3°
FINISH 仕上

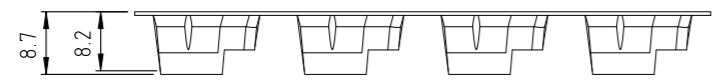
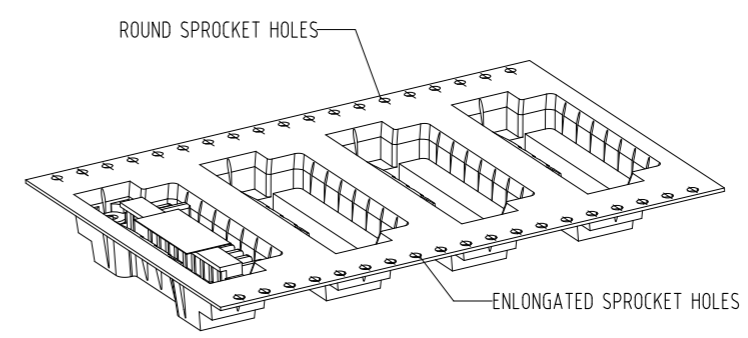
MATERIAL 材料

WIRE RANGE 絶合電線断面積		INSULATION DIA 被覆外径	
DWN T.KUSUHARA	12FEB98	TE Connectivity	
CHK I.ENOMOTO	12FEB98		
APVD I.ENOMOTO	12FEB98	NAME 名称	
PRODUCT SPEC 製品規格 108-5775		PLUG ASSY 2.5mm PITCH BATTERY CONNECTOR (10POS.)	
APPLICATION SPEC 取付適用規格		SIZE A3	CAGE CODE 00779
WEIGHT -		DRAWING NO 番号 C-1123684	RESTRICTED TO -
CUSTOMER DRAWING		SCALE 尺度 2:1	SHEET 1 OF 2
		REV C4	

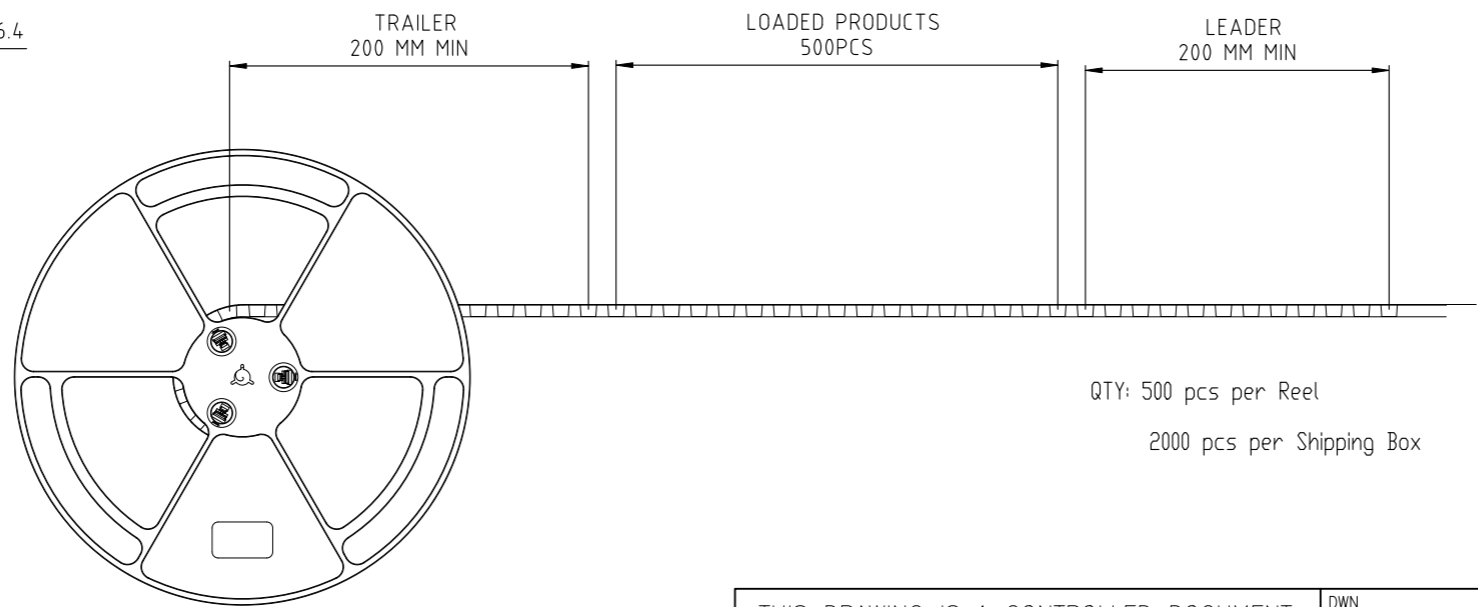
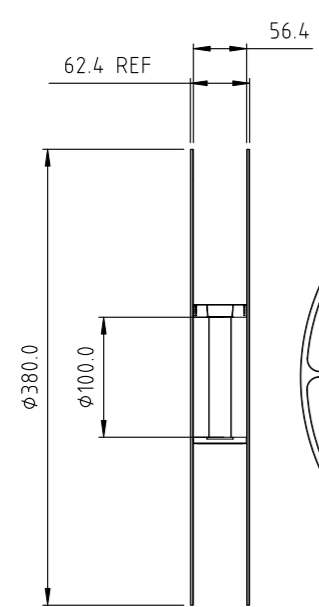
REVISIONS					
変更					
P	LTR	DESCRIPTION	DATE	DWN	APVD
-	-	SEE SHEET 1	-	-	-



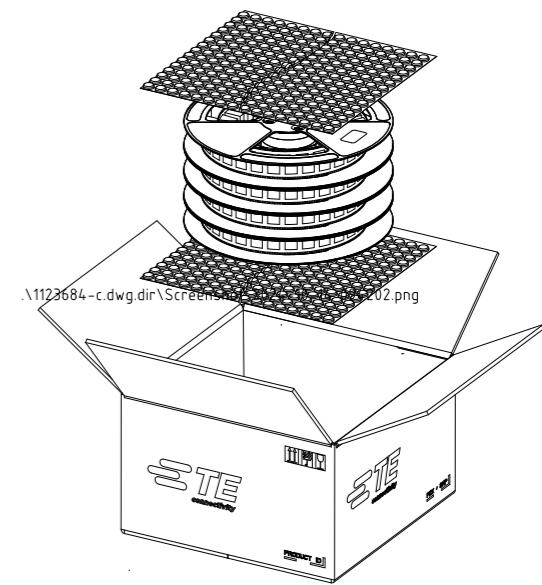
1-1123684-7
AS SHOWN



USER DIRECTION
OF UNREELING



QTY: 500 pcs per Reel
2000 pcs per Shipping Box



THIS DRAWING IS A CONTROLLED DOCUMENT.		DWN T.KUSUHARA 12FEB98	TE Connectivity														
DIMENSIONS: 単位: 耗 mm		CHK I.ENOMOTO 12FEB98															
TOLERANCES UNLESS OTHERWISE SPECIFIED: 一般公差		APVD I.ENOMOTO 12FEB98	NAME 名称 PLUG ASSY														
<table border="1"> <tr><td>0 PLC</td><td>± -</td></tr> <tr><td>1 PLC</td><td>± -</td></tr> <tr><td>2 PLC</td><td>± -</td></tr> <tr><td>3 PLC</td><td>± -</td></tr> <tr><td>4 PLC</td><td>± -</td></tr> <tr><td>ANGLES</td><td>± -</td></tr> </table>		0 PLC	± -	1 PLC	± -	2 PLC	± -	3 PLC	± -	4 PLC	± -	ANGLES	± -	PRODUCT SPEC 製品規格 108-5775	2.5mm PITCH BATTERY CONNECTOR (10POS.)		
0 PLC	± -																
1 PLC	± -																
2 PLC	± -																
3 PLC	± -																
4 PLC	± -																
ANGLES	± -																
MATERIAL 材料		FINISH 仕上	APPLICATION SPEC 取付適用規格	SIZE A3	CAGE CODE 00779												
		WEIGHT 0.000000	DRAWING NO 番号 G-1123684	RESTRICTED TO -													
CUSTOMER DRAWING			SCALE 尺度 2:1	SHEET 2 OF 2	REV C4												