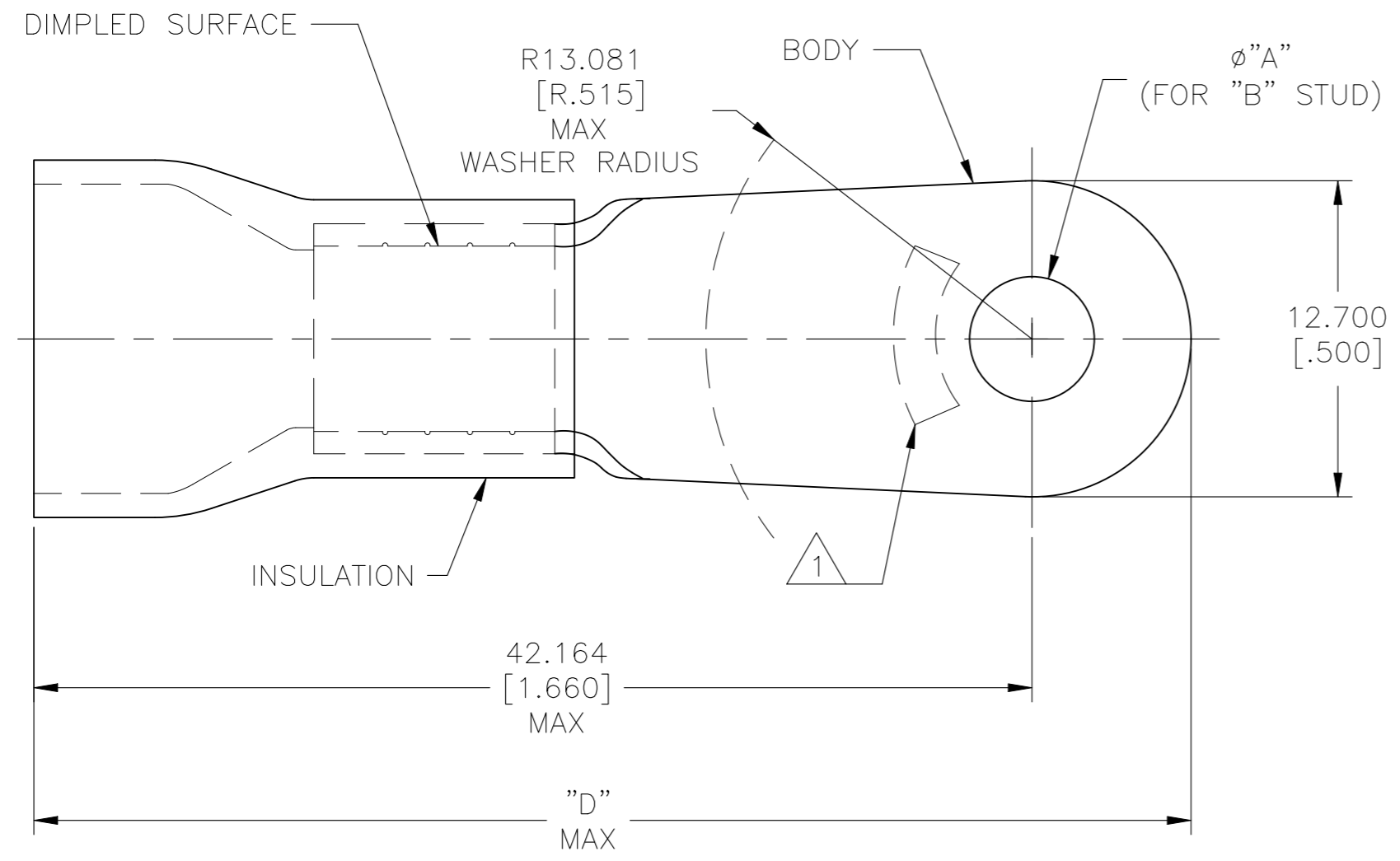


© - TE Connectivity. All Rights Reserved.

REVISIONS					
P	LTR	DESCRIPTION	DATE	DWN	APVD
	AB6	REVISED PER ECR-25-255998	12SEP2025	SA	DSC



AMP WIRE RANGE	FILE E13288	LR7189 Certified
6 AWG STRANDED	6 AWG STRANDED	6 AWG STRANDED

- 1 STAMP AMP 6* LOCATE APPROX AS SHOWN
- 2 BODY MATERIAL THK 1.143±0.051 [.045±.002]
- 3 SEE TABLE FOR WIRE INSULATION DIA MAX
- 4 TAPE ITEMS ARE ON 30.480 [1.200] CENTERS
- 5 NOTE DELETED
- 6 NOTE DELETED

47.473 [1.869]	9.144 [.360]	M4[#8]	4.343±0.076 [.171±.003]	1 KIT = 50 PIECES	LOOSE PC	6-52042-1
46.838 [1.844]	11.074 [.436]	M6[1/4]	6.731 [.265]	1 KIT = 50 PIECES	LOOSE PC	6-52042-0
46.838 [1.844]	11.074 [.436]	#10	5.004±0.076 [.197±.003]			1-52042-0
47.473 [1.869]	9.144 [.360]	M6[1/4]	6.731 [.265]	500	ON TAPE	52042-9
46.838 [1.844]	11.074 [.436]					52042-7
47.473 [1.869]	9.144 [.360]	#10	5.004±0.076 [.197±.003]	100	LOOSE PC	52042-5
46.838 [1.844]	11.074 [.436]					52042-4
47.473 [1.869]	9.144 [.360]	M6[1/4]	6.731 [.265]	100	LOOSE PC	52042-3
		M4[#8]	4.343±0.076 [.171±.003]			52042-2
46.838 [1.844]	11.074 [.436]	M6[1/4]	6.731 [.265]			52042-1
		M4[#8]	4.343±0.076 [.171±.003]			52042
"D"	WIRE INSULATION DIA	"B"	"A"	QTY	PACKAGE TYPE	PART NO

AMP INCORPORATED
CUSTOMER SERVICE SYSTEMS

FOR ADDITIONAL PRODUCT INFORMATION OR COPIES OF DRAWINGS AND TECHNICAL DOCUMENTS
PRODUCT INFORMATION CENTER
1-800-522-6752

FOR APPLICATION TOOLING INFORMATION
TOOLING ASSISTANCE CENTER
1-800-722-1111

FOR ORDER ENTRY
1-800-526-5142

MAX RECOMMENDED OPERATING TEMPERATURE:
105°C [221°F]

VOLTAGE RATING
600 V MAX

CIRCULAR MIL AREA:
10.54-16.77mm² [20,800-33,100] STRANDED

THIS DRAWING IS A CONTROLLED DOCUMENT FOR AMP INCORPORATED. IT IS SUBJECT TO CHANGE AND THE CONTROLLING ENGINEERING ORGANIZATION SHOULD BE CONTACTED FOR THE LATEST REVISION.

THIS DRAWING IS A CONTROLLED DOCUMENT.

DIMENSIONS:
mm [INCHES]

TOLERANCES UNLESS OTHERWISE SPECIFIED:
0 PLC ± -
1 PLC ± -
2 PLC ± -
3 PLC ± 0.127[.005]
4 PLC ± -
ANGLES ± -

MATERIAL
BODY: COPPER PER ASTM B-152
INSULATION: PVC

FINISH
BODY: TIN PLATE PER ASTM B-545
INSULATION: COLOR-BLUE

DWN S.S. GOULDEN 9-29-93
CHK R. HERSEY 9-29-93
APVD B. BARE 9-29-93

STE TE Connectivity

NAME: TERMINAL, RING TONGUE, PLASTI-GRIP,™ WIRE SIZE: 6 AWG

PRODUCT SPEC: UL 486 A-B
APPLICATION SPEC: 114-2161

SIZE: A3 CAGE CODE: 00779 DRAWING NO: C-52042 RESTRICTED TO: -

WEIGHT: CUSTOMER DRAWING SCALE: 4:1 SHEET: 1 OF 1 REV: AB6