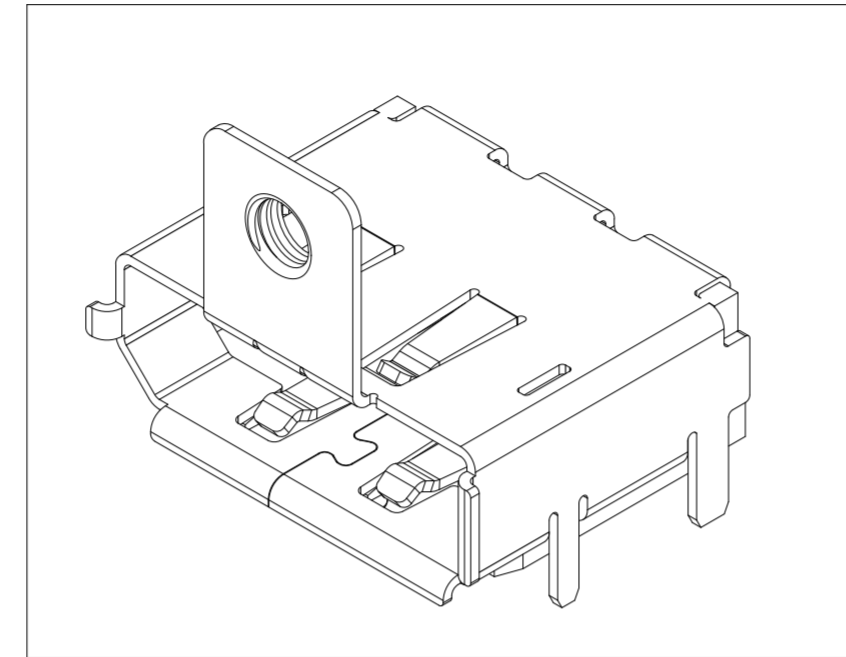
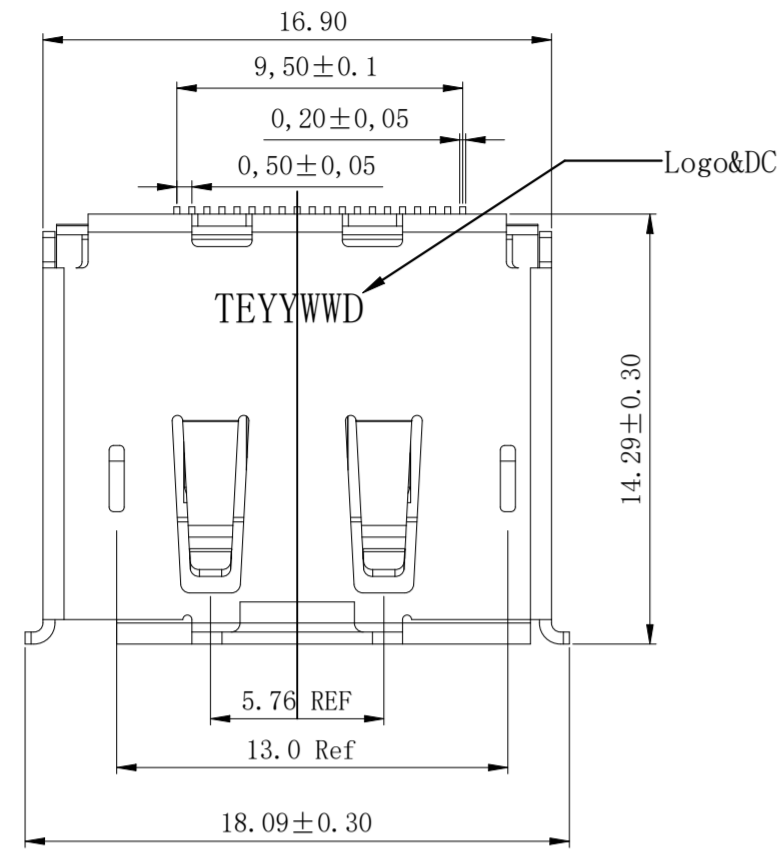
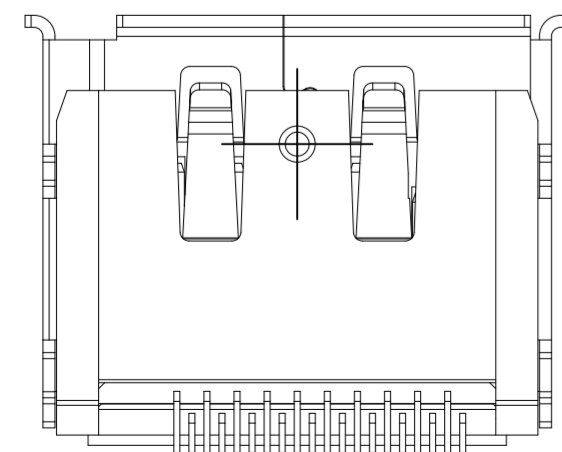
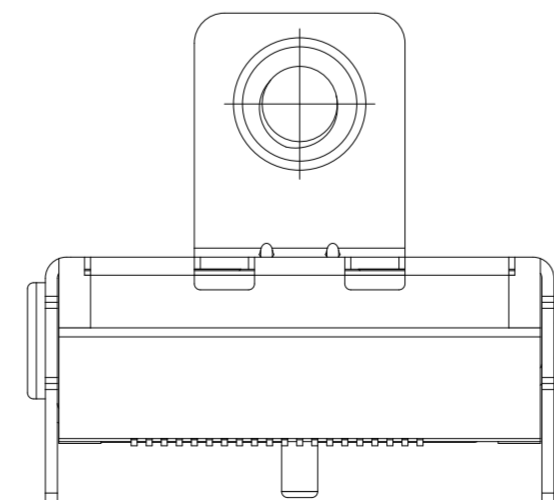
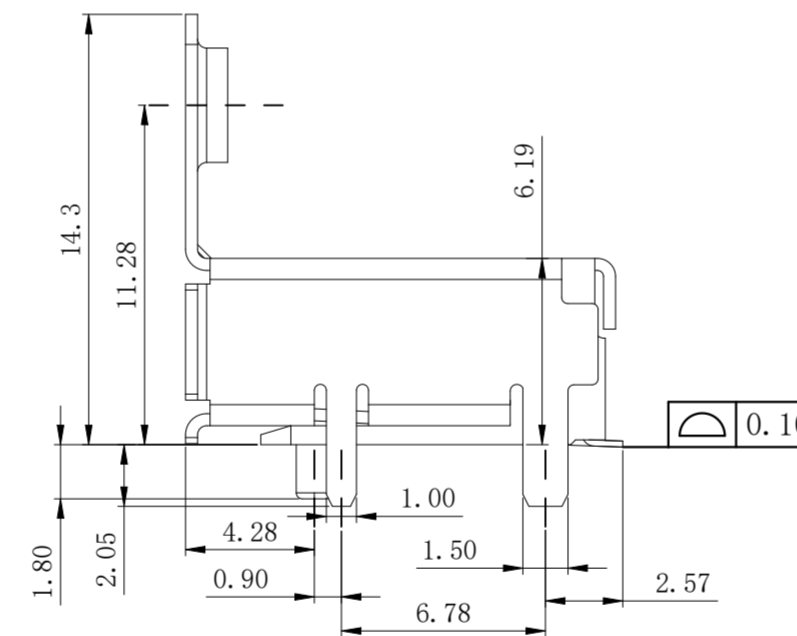
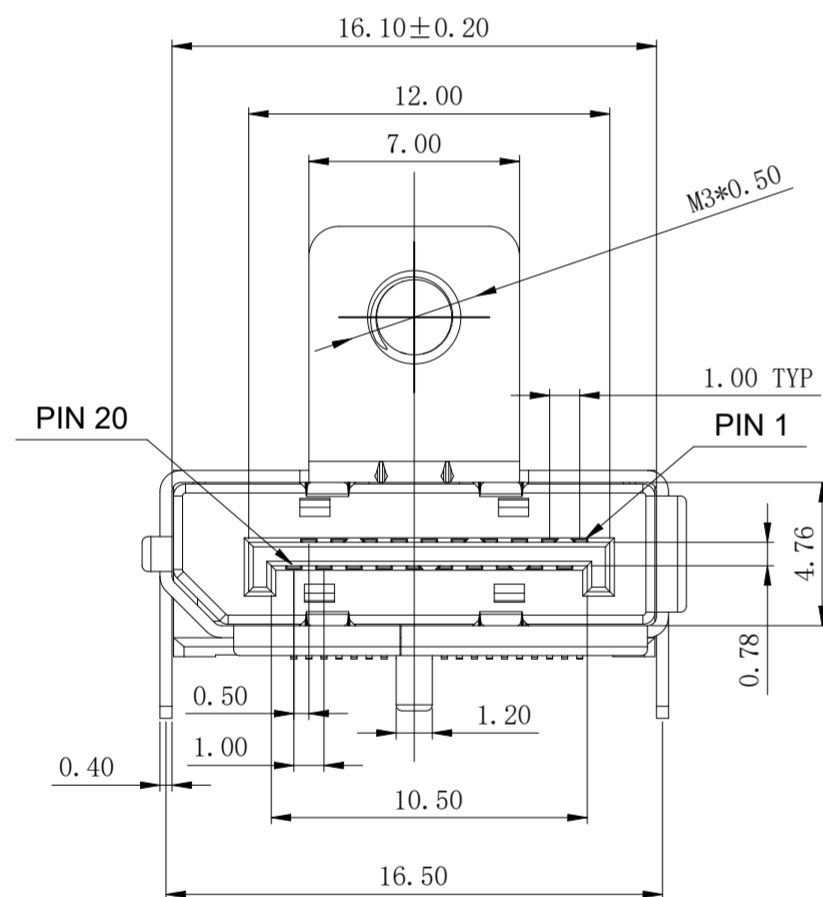
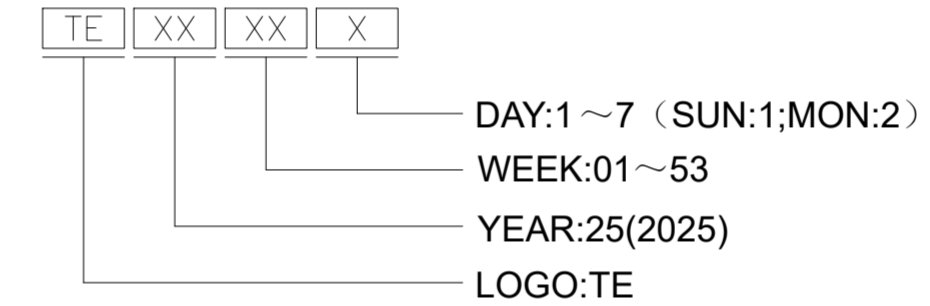


| REVISIONS |     |                            |           |     |      |
|-----------|-----|----------------------------|-----------|-----|------|
| P         | LTR | DESCRIPTION                | DATE      | DWN | APVD |
| A         |     | RELEASED PER ECN-25-303000 | 21JAN2025 | TR  | RCG  |

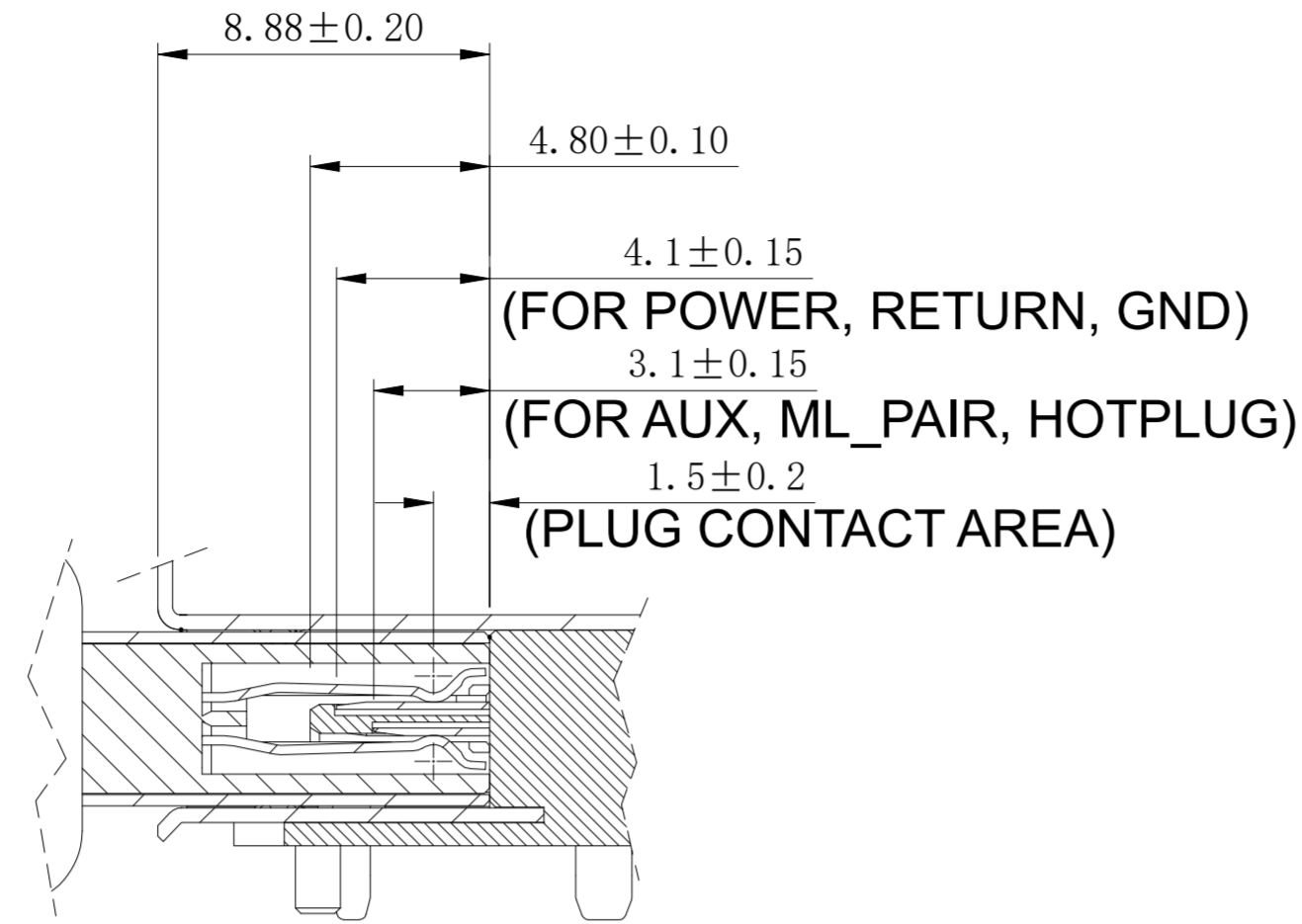


- NOTE :**
- 1.MATERIALS:**
    - 1.1 INSULATOR: LCP (E130I), UL94V-0, COLOR: BLACK.
    - 1.2 CONTACT: BRASS (C-18400-R540).
    - 1.3 HOUSING: SUS304.
  - 2.FINISH:**
    - 2.1 CONTACTS: GOLD (SEE P/N TABLE) PLATED ON CONTACT AREA, GOLD FLASH (0.3M" MIN) PLATED ON SOLDER AREA, 30M" MIN. NICKEL UNDERPLATED OVERALL.
  - 3.COMPATIBILITY WITH DISPLAYPORT 2.0 VERSION.**



|  |  |                                      |   |                         |
|--|--|--------------------------------------|---|-------------------------|
| THIS DRAWING IS A CONTROLLED DOCUMENT. |  | DWN<br>TARUN, R<br>08JAN2025         |   |                         |
| DIMENSIONS:<br>mm [INCHES]             |  | CHK<br>NAIR, SREE KUMAR<br>08JAN2025 |   |                         |
| TOLERANCES UNLESS OTHERWISE SPECIFIED: |  | APVD<br>RAGHAVAN, CG<br>08JAN2025    | NAME<br>RECEPTACLE ASSEMBLY<br>DISPLAY PORT 20P RA SMT STD -<br>LEG WITH FLANGE |                         |
| 0 PLC ± -                              |  | PRODUCT SPEC<br>108-161732           | SIZE<br>A2  |                         |
| 1 PLC ± 0.35                           |  | APPLICATION SPEC                     | CAGE CODE<br>00779  | DRAWING NO<br>C=2498798 |
| 2 PLC ± 0.25                           |  |                                      | RESTRICTED TO   |                         |
| 3 PLC ± 0.20                           |  |                                      |   |                         |
| 4 PLC ± -                              |  |                                      |   |                         |
| ANGLES ± 2°                            |  |                                      |   |                         |
| MATERIAL                               |  | WEIGHT                               | SCALE<br>1:1  | SHEET<br>1 of 2         |
| FINISH                                 |  | CUSTOMER DRAWING                     | REV<br>A  |                         |

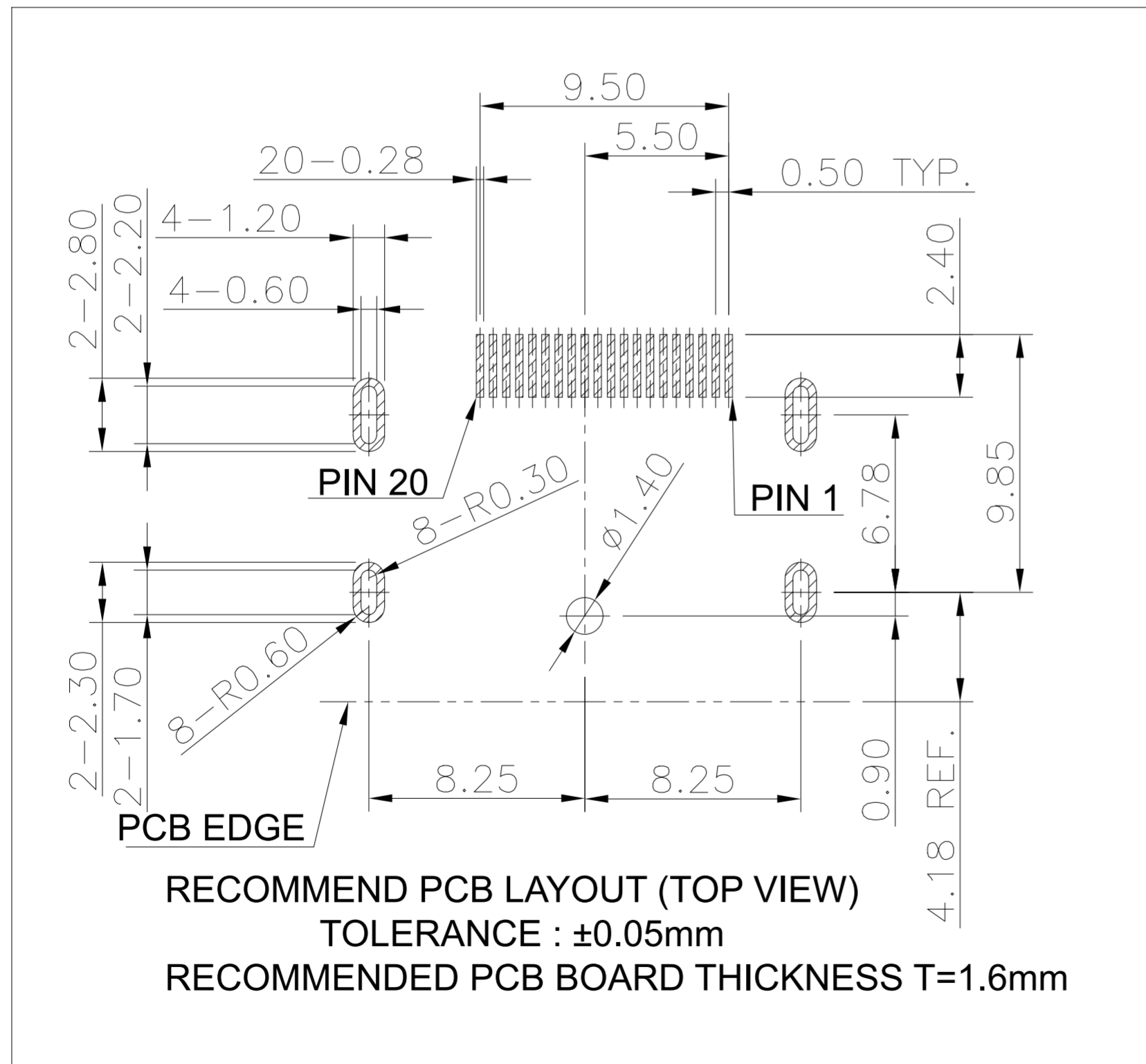
| P | LTR | DESCRIPTION | DATE | DWN | APVD |
|---|-----|-------------|------|-----|------|
| - | -   | SEE SHEET 1 | -    | -   | -    |



**CONNECTOR MATING DIAGRAM**

**PIN ASSIGNMENT**

| PIN NO. | SOURCE DEVICE | SINK DEVICE     |
|---------|---------------|-----------------|
| 20      |               | DP_PWR          |
| 19      |               | RETURN DP_PWR   |
| 18      |               | HOT PLUG DETECT |
| 17      |               | AUX CH(n)       |
| 16      |               | GND             |
| 15      |               | AUX CH(p)       |
| 14      |               | CONFIG 2        |
| 13      |               | CONFIG 1        |
| 12      | ML_LANE 3 (n) | ML_LANE 3 (p)   |
| 11      | GND           | GND             |
| 10      | ML_LANE 3 (p) | ML_LANE 0 (n)   |
| 9       | ML_LANE 2 (n) | ML_LANE 1 (p)   |
| 8       | GND           | GND             |
| 7       | ML_LANE 2 (p) | ML_LANE 1 (n)   |
| 6       | ML_LANE 1 (n) | ML_LANE 2 (p)   |
| 5       | GND           | GND             |
| 4       | ML_LANE 1 (p) | ML_LANE 2 (n)   |
| 3       | ML_LANE 0 (n) | ML_LANE 3 (p)   |
| 2       | GND           | GND             |
| 1       | ML_LANE 0 (p) | ML_LANE 3 (n)   |



|  |   |                                      |   |                         |       |   |      |       |   |      |       |   |      |       |   |   |        |   |    |                            |            |                    |
|--|---|--------------------------------------|---|-------------------------|-------|---|------|-------|---|------|-------|---|------|-------|---|---|--------|---|----|----------------------------|------------|--------------------|
| THIS DRAWING IS A CONTROLLED DOCUMENT.   |   | DWN<br>TARUN, R<br>08JAN2025         |   |                         |       |   |      |       |   |      |       |   |      |       |   |   |        |   |    |                            |            |                    |
| DIMENSIONS:<br>mm [INCHES]   |   | CHK<br>NAIR, SREE KUMAR<br>08JAN2025 |   |                         |       |   |      |       |   |      |       |   |      |       |   |   |        |   |    |                            |            |                    |
| TOLERANCES UNLESS OTHERWISE SPECIFIED:   |   | APVD<br>RAGHAVAN, CG<br>08JAN2025    | NAME<br>RECEPTACLE ASSEMBLY<br>DISPLAY PORT 20P RA SMT STD -<br>LEG WITH FLANGE |                         |       |   |      |       |   |      |       |   |      |       |   |   |        |   |    |                            |            |                    |
| <table border="0"> <tr> <td>0 PLC</td> <td>±</td> <td>-</td> </tr> <tr> <td>1 PLC</td> <td>±</td> <td>0.35</td> </tr> <tr> <td>2 PLC</td> <td>±</td> <td>0.25</td> </tr> <tr> <td>3 PLC</td> <td>±</td> <td>0.20</td> </tr> <tr> <td>4 PLC</td> <td>±</td> <td>-</td> </tr> <tr> <td>ANGLES</td> <td>±</td> <td>2°</td> </tr> </table> |   | 0 PLC                                | ±   | -                       | 1 PLC | ± | 0.35 | 2 PLC | ± | 0.25 | 3 PLC | ± | 0.20 | 4 PLC | ± | - | ANGLES | ± | 2° | PRODUCT SPEC<br>108-161732 | SIZE<br>A2 | CAGE CODE<br>00779 |
| 0 PLC  | ± | -                                    |   |                         |       |   |      |       |   |      |       |   |      |       |   |   |        |   |    |                            |            |                    |
| 1 PLC  | ± | 0.35                                 |   |                         |       |   |      |       |   |      |       |   |      |       |   |   |        |   |    |                            |            |                    |
| 2 PLC  | ± | 0.25                                 |   |                         |       |   |      |       |   |      |       |   |      |       |   |   |        |   |    |                            |            |                    |
| 3 PLC  | ± | 0.20                                 |   |                         |       |   |      |       |   |      |       |   |      |       |   |   |        |   |    |                            |            |                    |
| 4 PLC  | ± | -                                    |   |                         |       |   |      |       |   |      |       |   |      |       |   |   |        |   |    |                            |            |                    |
| ANGLES   | ± | 2°                                   |   |                         |       |   |      |       |   |      |       |   |      |       |   |   |        |   |    |                            |            |                    |
| MATERIAL   |   | FINISH                               | WEIGHT  | DRAWING NO<br>C=2498798 |       |   |      |       |   |      |       |   |      |       |   |   |        |   |    |                            |            |                    |
|  |   |                                      | CUSTOMER DRAWING  | RESTRICTED TO           |       |   |      |       |   |      |       |   |      |       |   |   |        |   |    |                            |            |                    |
|  |   |                                      | SCALE 1:1   | SHEET 2 OF 2            |       |   |      |       |   |      |       |   |      |       |   |   |        |   |    |                            |            |                    |
|  |   |                                      |   | REV A                   |       |   |      |       |   |      |       |   |      |       |   |   |        |   |    |                            |            |                    |