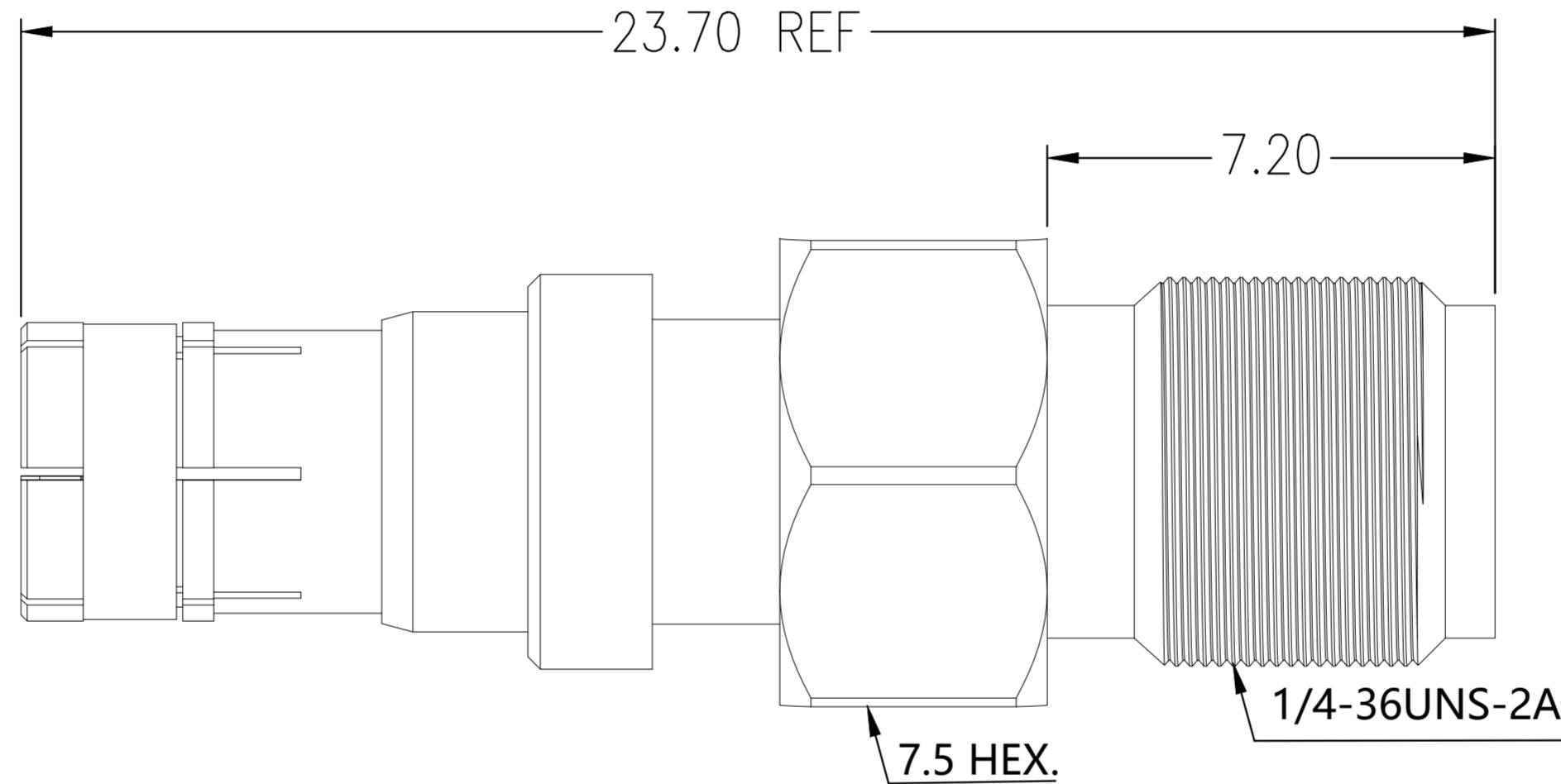
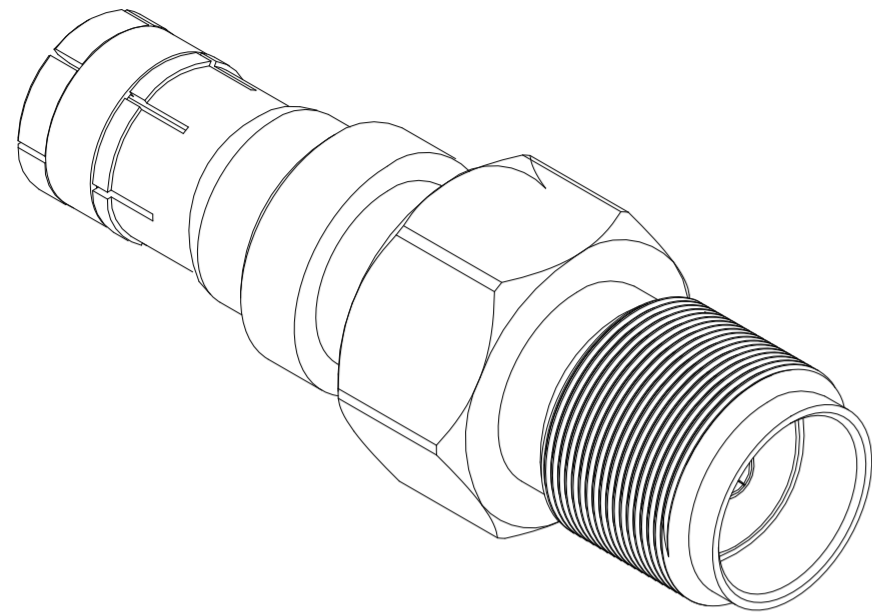


| REVISIONS |     |                       |           |     |      |
|-----------|-----|-----------------------|-----------|-----|------|
| P         | LTR | DESCRIPTION           | DATE      | DWN | APVD |
|           | A   | GTP PER ECN-24-292365 | 07NOV2024 | ED  | WH   |



NOTES:

- 1 PACK IN ACCORDANCE WITH TE SPEC 107-3275;
- 2 ALL DIMENSIONS ARE NOMINAL FOR REFERENCE ONLY UNLESS OTHERWISE STATED;
- 3 ELECTRICAL CHARACTERISTICS :  
 FREQUENCY RANGE : DC-10GHz  
 NOMINAL IMPEDANCE : 50 OHMS  
 INSULATION RESISTANCE : 1000 MOHMS  
 WORKING VOLTAGE : 250 VRMS MAX  
 DIELECTRIC WITHSTANDING VOLTAGE : 800 VOLTS MAX  
 VSWR : 1.15(DC-6GHz)  
 CONTACT RESISTANCE :  
   CENTER CONTACT : 10 mOHMS MAX  
   OUTER CONTACT : 7.5 mOHMS MAX;
- 4 MECHANICAL CHARACTERISTICS :  
 DURABILITY : 500 CYCLES  
 MATING FORCE : 25N MAX;  
 DISENGAGEMENT FORCE : 2N MIN;  
 CONNECTOR DISENGAGEMENT FORCE WITH LOCK : 110N MIN;  
 UNMATING FORCE WITH DISENGAGED : 75N MAX;
- 5 TEMPERATURE RANGE: -40°-+105°;
- 6 RoHS: COMPLIANT.

|  |           |                        |          |             |      |
|--|-----------|------------------------|----------|-------------|------|
|  | 1         | -                      | BeCu     | SPRING      | 4    |
|  | 1         | GOLD 3u"/NICKEL/COPPER | BeCu     | CONTACT PIN | 3    |
|  | 1         | NATURAL                | PTFE     | INSULATOR   | 2    |
|  | 1         | NICKEL 100u"           | BRASS    | BODY        | 1    |
|  | 2474533-1 | PLATING                | MATERIAL | DESCRIPTION | ITEM |

QUANTITY PER ASSY

PARTS LIST

THIS DRAWING IS A CONTROLLED DOCUMENT.

|   |    |           |                  |  |
|---|----|-----------|------------------|--|
| DWN   | ED | 16OCT2023 |                  | TE Connectivity<br>ADAPTER,SMA F TO FAKRA SMB F,<br>STRAIGHT,NO HOUSING,6GHz |
| CHK   | ED | 16OCT2023 |                  |  |
| APVD  | WH | 16OCT2023 |                  |  |
| NAME  |    |           |                  |  |
| DIMENSIONS:   |    |           | PRODUCT SPEC     |  |
| mm  |    |           | APPLICATION SPEC |  |
|   |    |           | WEIGHT           |  |
| TOLERANCES UNLESS OTHERWISE SPECIFIED:<br>0 PLC ± -<br>1 PLC ± 0.3<br>2 PLC ± 0.2<br>3 PLC ± 0.1<br>4 PLC ± - ± 5'<br>ANGLES ± - ± 5'<br>FINISH - |    |           | SIZE             | A2   |
| MATERIAL  |    |           | CAGE CODE        | 00779  |
| SEE TABLE   |    |           | DRAWING NO       | C=2474533  |
|   |    |           | RESTRICTED TO    | -  |
|   |    |           | CUSTOMER DRAWING |  |
|   |    |           | SCALE            | 8:1  |
|   |    |           | SHEET            | 1 OF 1   |
|   |    |           | REV              | A  |

2474533