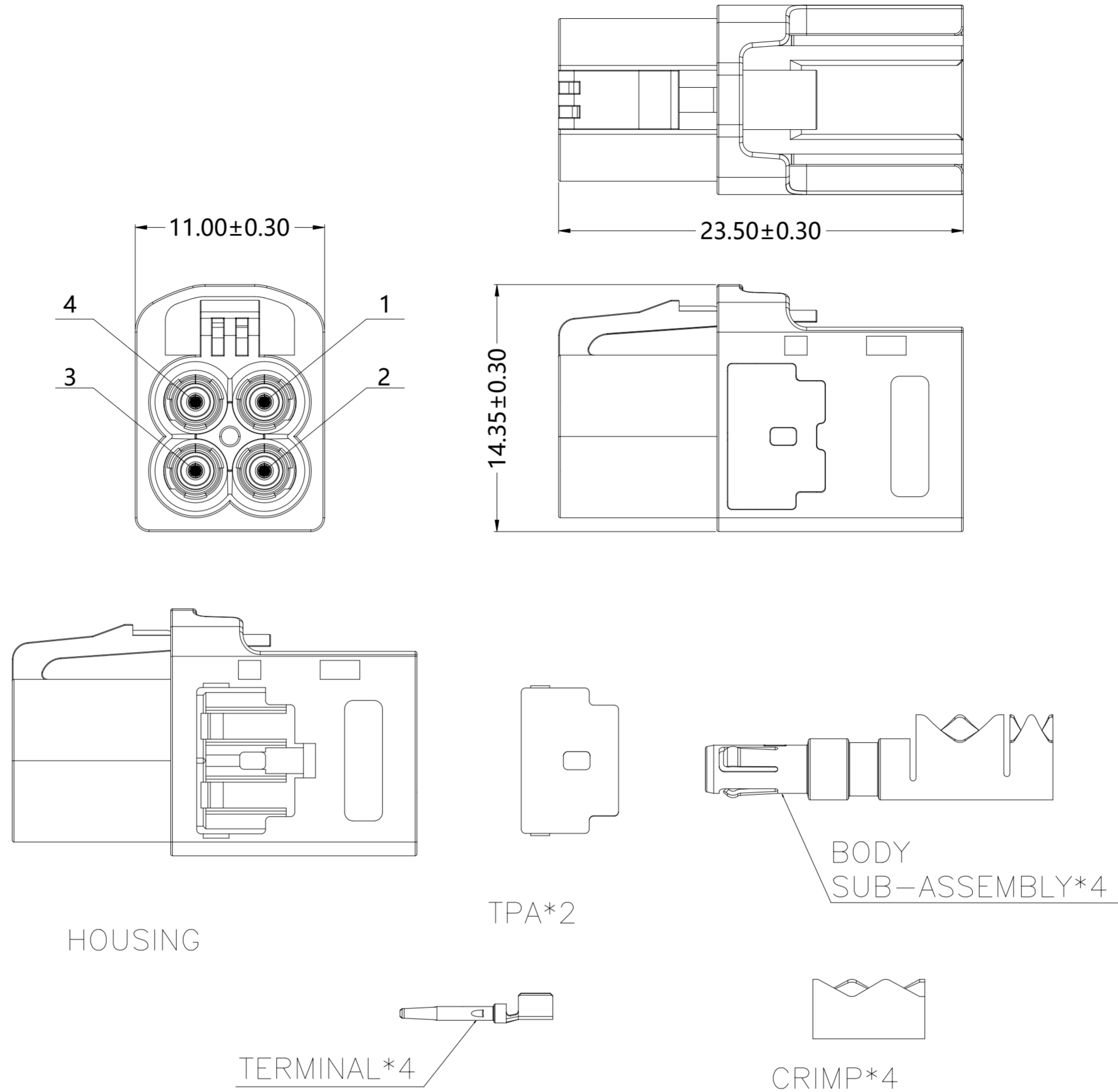


P	LTR	DESCRIPTION	DATE	DWN	APVD
A2		ECN-26-362286	07JAN2026	TP	WILL

NOTES:

- 1 PACK IN ACCORDANCE WITH TE SPEC 107-3275;
- 2 ALL DIMENSIONS ARE NOMINAL FOR REFERENCE ONLY UNLESS OTHERWISE STATED;
- 3 RoHS: COMPLIANT;
- 4 PACKING DETAIL REFER TO NEXT FOLLOWING PAGE.

ELECTRICAL CHARACTERISTICS	
IMPEDANCE	50 Ω
VOLTAGE RATING	335 V(rms)
FREQUENCY RANGE	DC~8 GHz
DIELECTRIC WITHSTANDING VOLTAGE	>750 V
CONTACT RESISTANCE	CENTER CONTACT <15.0 mΩ
	OUTER CONTACT <5.0 mΩ
INSULATION RESISTANCE	>1000 MΩ
INSERTION LOSS	<0.10*SQRT(F)
VSWR	<1.45 (DC-6GHz)
	<1.60 (6-8GHz)
3RD INTERMODULATION	N/A
MECHANICAL CHARACTERISTICS	
DURABILITY	> 50 cycles
MATING FORCE	60N MAX
DISENGAGEMENT FORCE	5N MIN
CONNECTOR DIENGAGE WITH LOCK	110N MIN
ENVIRONMENTAL PARAMETER	
TEMPERATURE RANGE	-40°C TO +105°C



NOTES:

FINISH (PLATING THICKNESS IN MICRO-INCHES)

- 1 100 MICROINCHES MIN TIN PLATED.
50 MICROINCHES MIN OVER NICKEL UNDERPLATED.
- 2 5 MICROINCHES MIN GOLD PLATED,
50 MICROINCHES MIN OVER NICKEL UNDERPLATED.
- 3 PASSIVATION

NOTE	MATERIAL	DESCRIPTION	ITEM
NOTE 3	STAINLESS STEEL	CRIMP	5
NOTE 2	COPPER ALLOY	TERMINAL	4
NATURAL	MPPO	BODY SUB-ASSY	3
NOTE 1	BRONZE		
N/A	PPS 30%GF	TAP	2
UL94 V0 (REFER CODING COLOR)	PA66 30%FG	HOUSING	1
FINISH/PLATING/GRADE	MATERIAL	DESCRIPTION	ITEM

COLOR CODING	
COLOR	CODING
BLACK	A
WHITE	B
BLUE	C
CLARET	D
GREEN	E
BROWN	F
WATER BLUE	Z

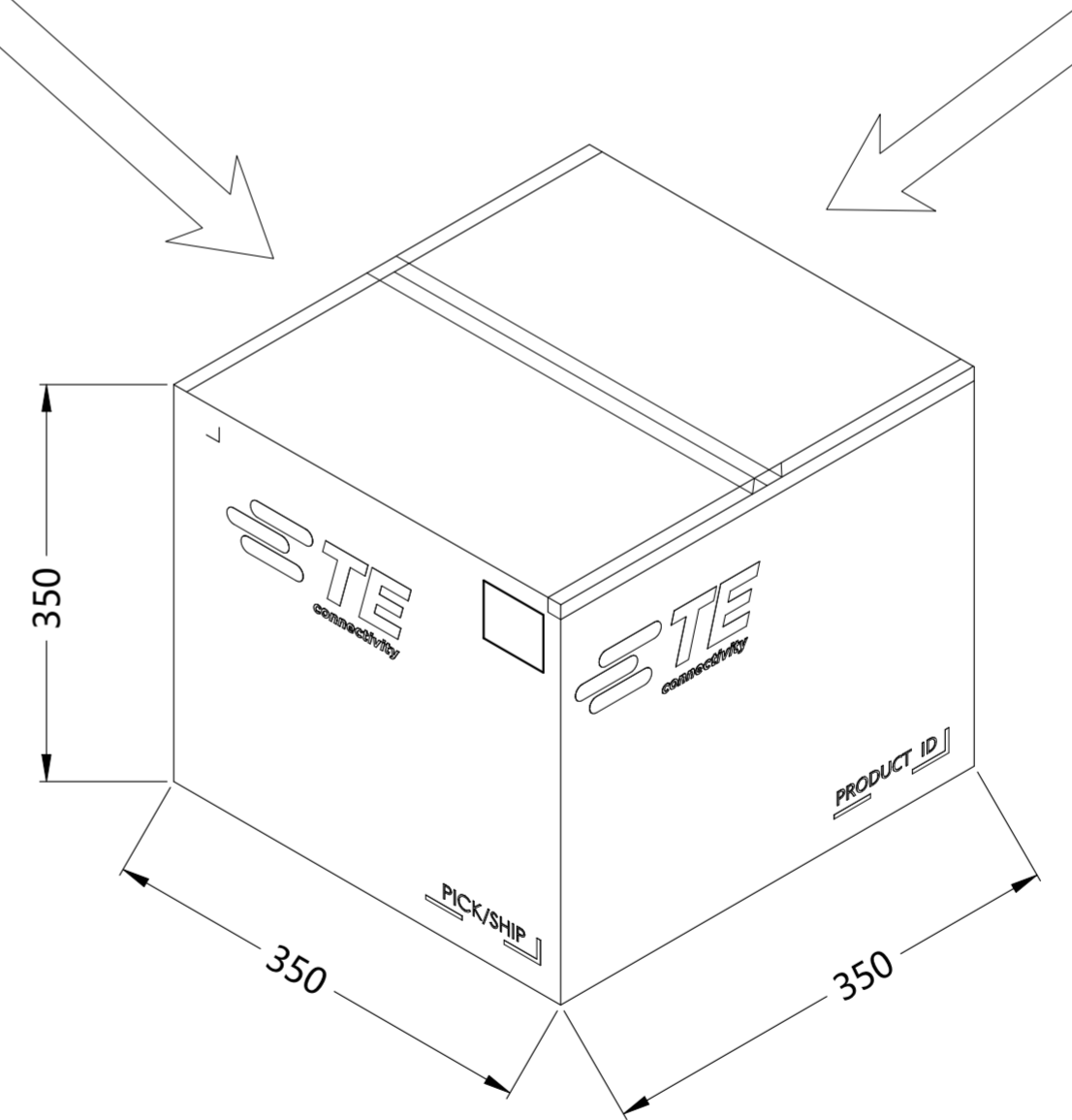
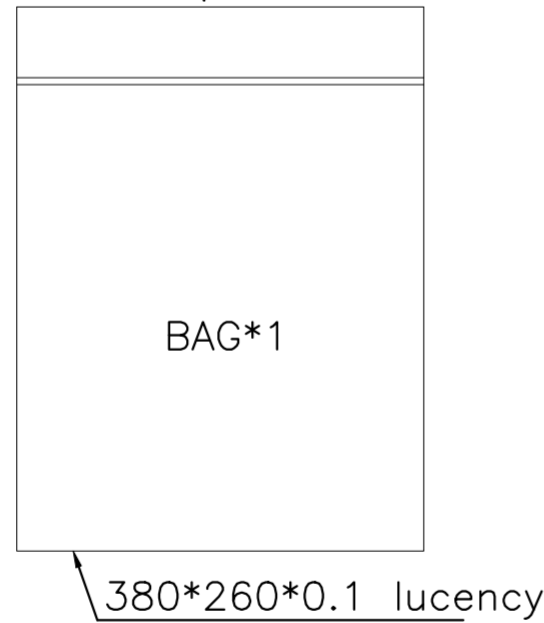
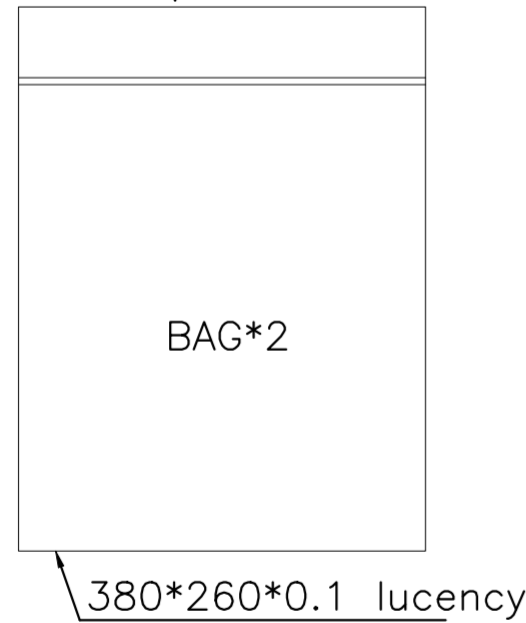
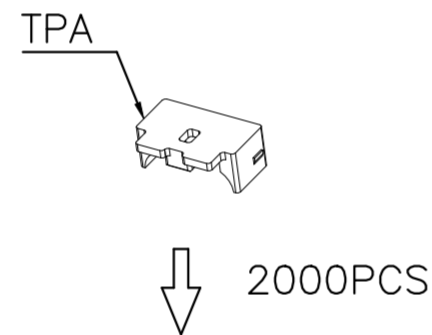
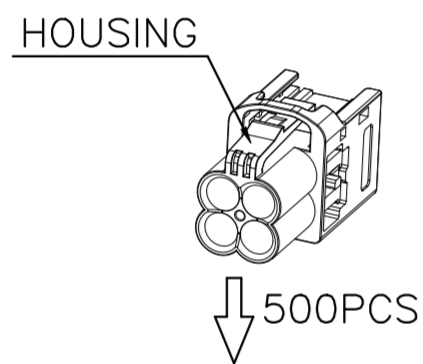
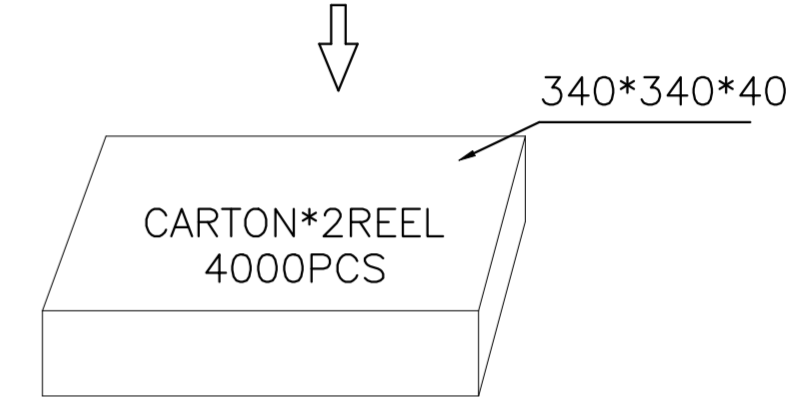
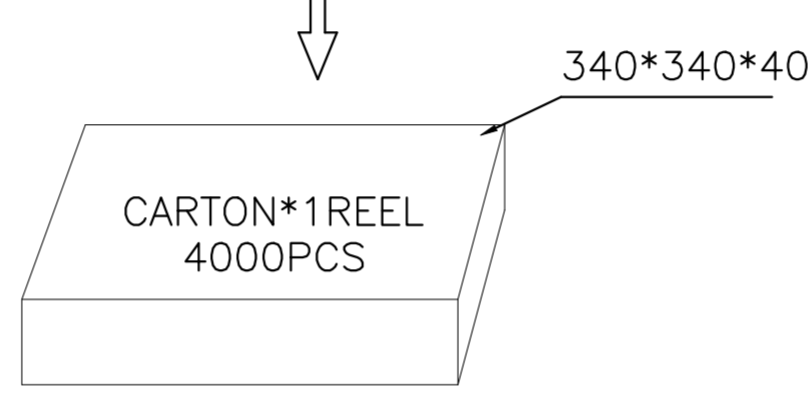
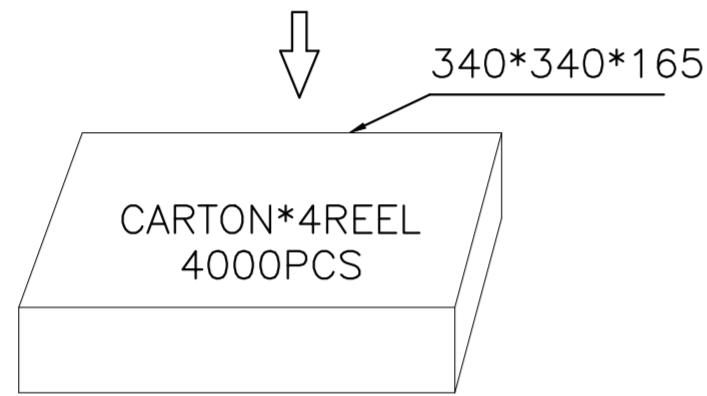
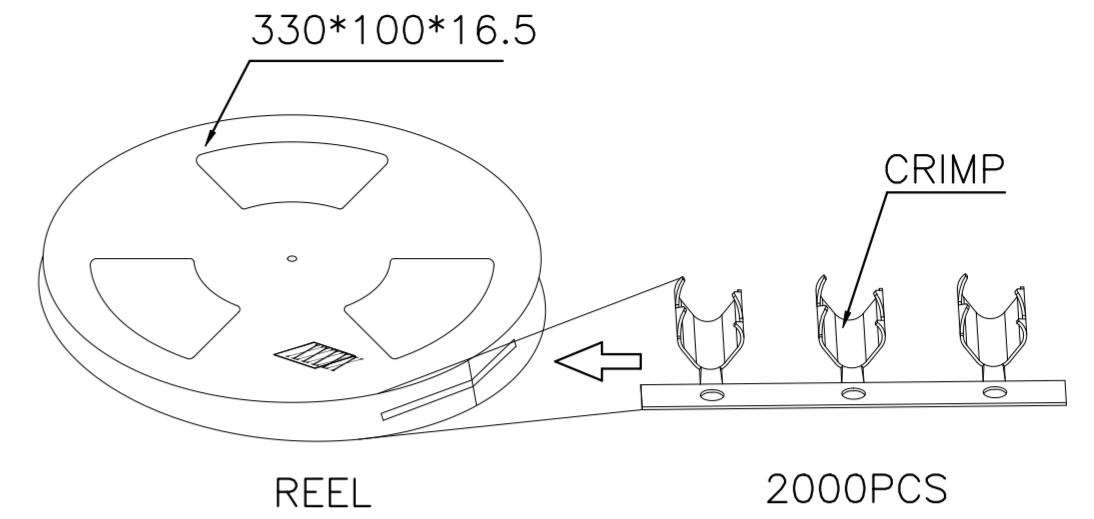
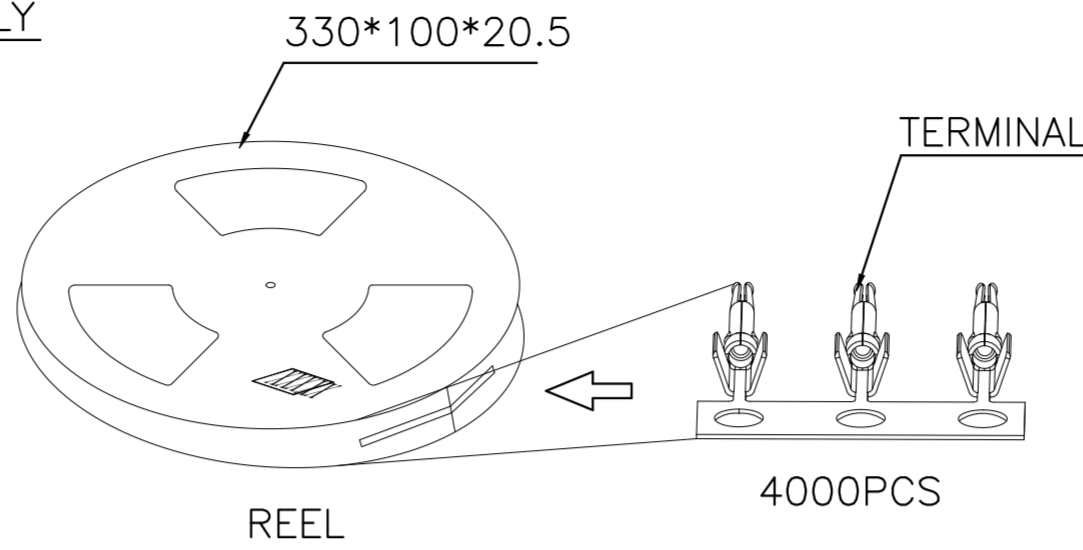
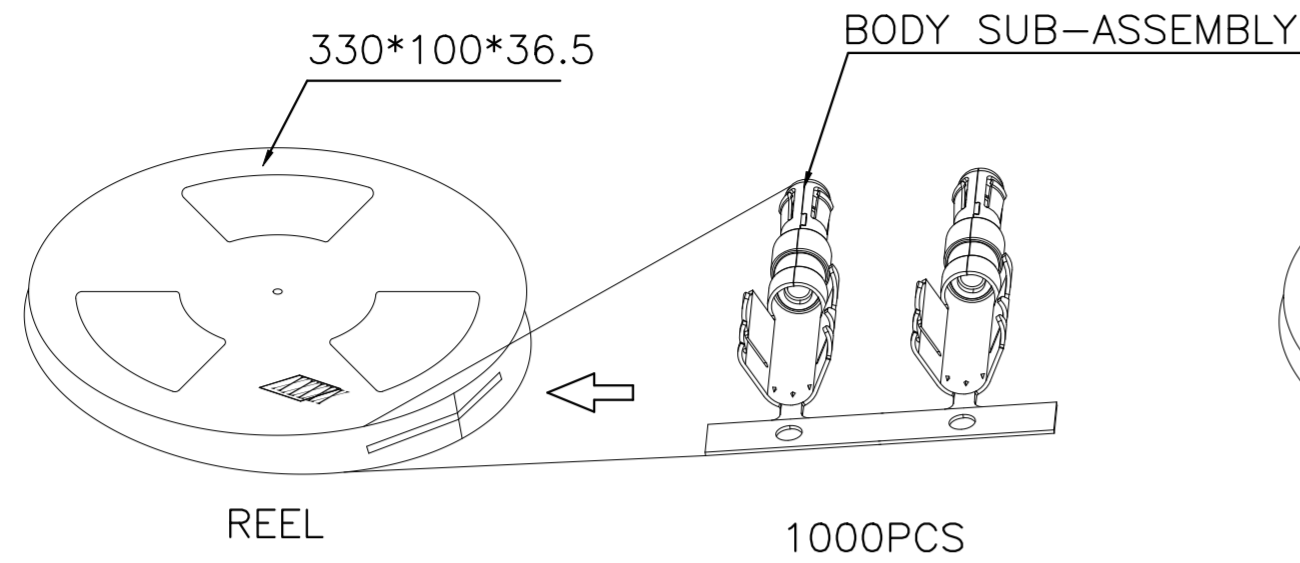
Z	F	E	D	C	B	A	CODING (COLOR)
2474521-7	2474521-6	2474521-5	2474521-4	2474521-3	2474521-2	2474521-1	
TCPN							
						4	CRIMP 5
						4	CONTACT PIN 4
						4	OUTER CONTACT 3
						2	TPA 2
						1	HOUSING 1
						QTY	DESCRIPTION ITEM
PARTS LIST							

THIS DRAWING IS A CONTROLLED DOCUMENT.

DIMENSIONS:		TOLERANCES UNLESS OTHERWISE SPECIFIED:	
mm			
0 PLC	±	-	
1 PLC	±	0.3	
2 PLC	±	0.2	
3 PLC	±	0.1	
4 PLC	±	-	
ANGLES	±	5°	
MATERIAL	SEE TABLE	FINISH	-

PARTS LIST		TE Connectivity Ltd.	
DWN	ED	17OCT2024	
CHK	ED	17OCT2024	
APVD	WH	17OCT2024	
PRODUCT SPEC	NAME		
APPLICATION SPEC	MINI FAKRA JACK, STRAIGHT, RG174 CABLE, WITH HOUSING,DC-15GHz		
WEIGHT	0	SIZE	CAGE CODE
CUSTOMER DRAWING	A2	DRAWING NO	00779
SCALE	8:1	RESTRICTED TO	-
SHEET	1 of 7	REV	A2

REVISIONS					
P	LTR	DESCRIPTION	DATE	DWN	APVD
-	-	SEE SHEET 1	-	-	-



NOTES :

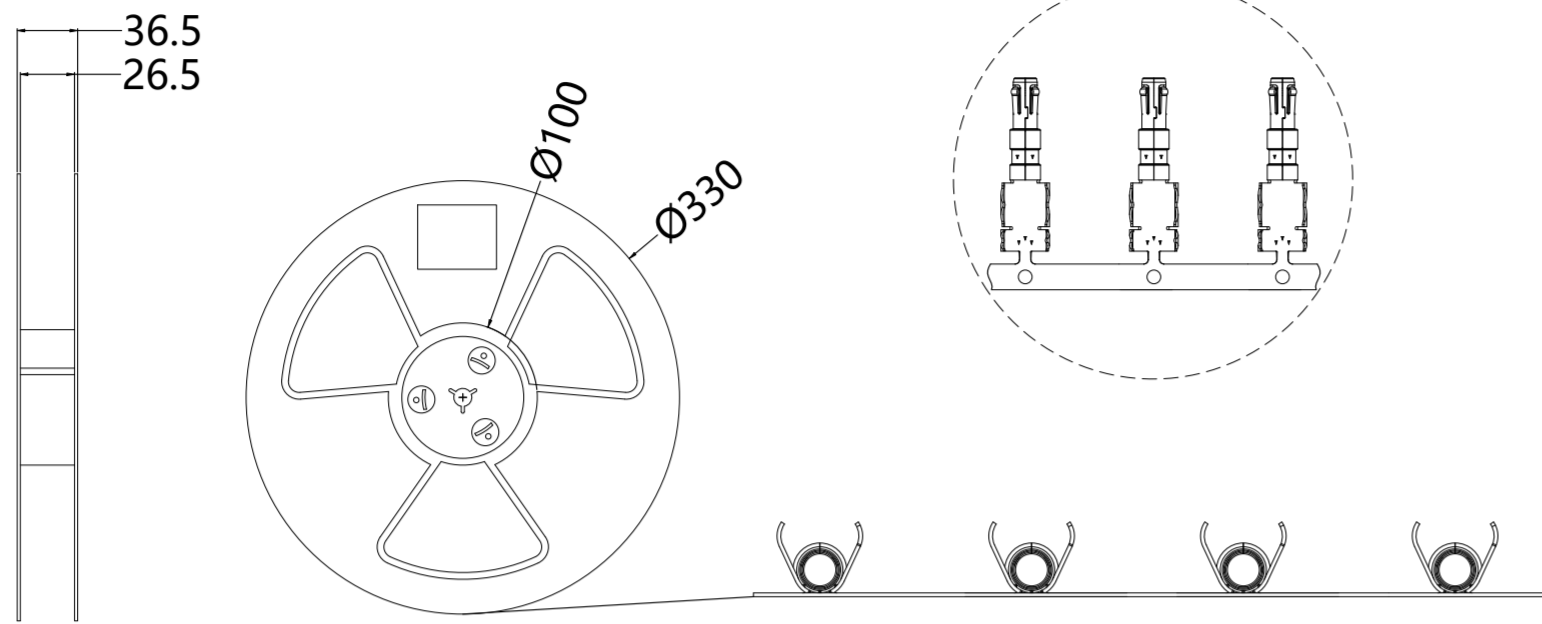
1. QUANTITY:

- 1.1 BODY SUB-ASSEMBLY PACKING: 1000PCS/4*REEL/CARTON(4000PCS)
- 1.2 TERMINAL PACKING: 4000PCS/REEL/CARTON(4000PCS)
- 1.3 CRIMP PACKING:2000PCS/2*REEL/CARTON(4000PCS)
- 1.4 HOUSING PACKING:500PCS/2*BAG(1000PCS)
- 1.5 TPA PACKING:2000PCS/BAG(2000PCS)

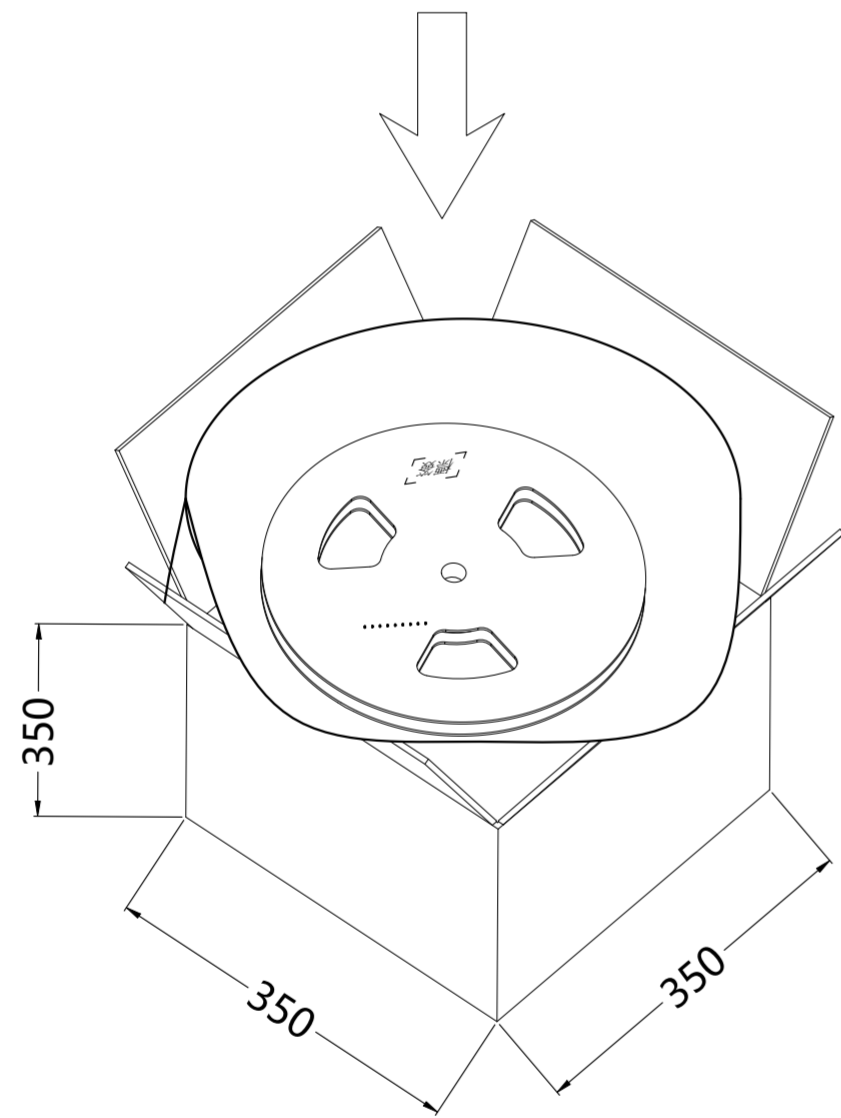
BOX QTY FOR FG 1000 SET

THIS DRAWING IS A CONTROLLED DOCUMENT.		DWN	ED	17OCT2024	 TE Connectivity Ltd.
		CHK	ED	17OCT2024	
		APVD	WH	17OCT2024	
		PRODUCT SPEC			
DIMENSIONS:		TOLERANCES UNLESS OTHERWISE SPECIFIED:		NAME	
mm		0 PLC ± -		MINI FAKRA JACK, STRAIGHT,	
		1 PLC ± 0.3		RG174 CABLE, WITH HOUSING,DC-15GHz	
		2 PLC ± 0.2		-	
		3 PLC ± 0.1		APPLICATION SPEC	
		4 PLC ± -		-	
MATERIAL		FINISH		SIZE	
SEE TABLE		-		A2	
		WEIGHT		CAGE CODE	
		-		00779	
		CUSTOMER DRAWING		DRAWING NO	
				C=2474521	
		SCALE		RESTRICTED TO	
		8:1		-	
		SHEET		REV	
		2 of 7		A2	

REVISIONS					
P	LTR	DESCRIPTION	DATE	DWN	APVD
-	-	SEE SHEET 1	-	-	-

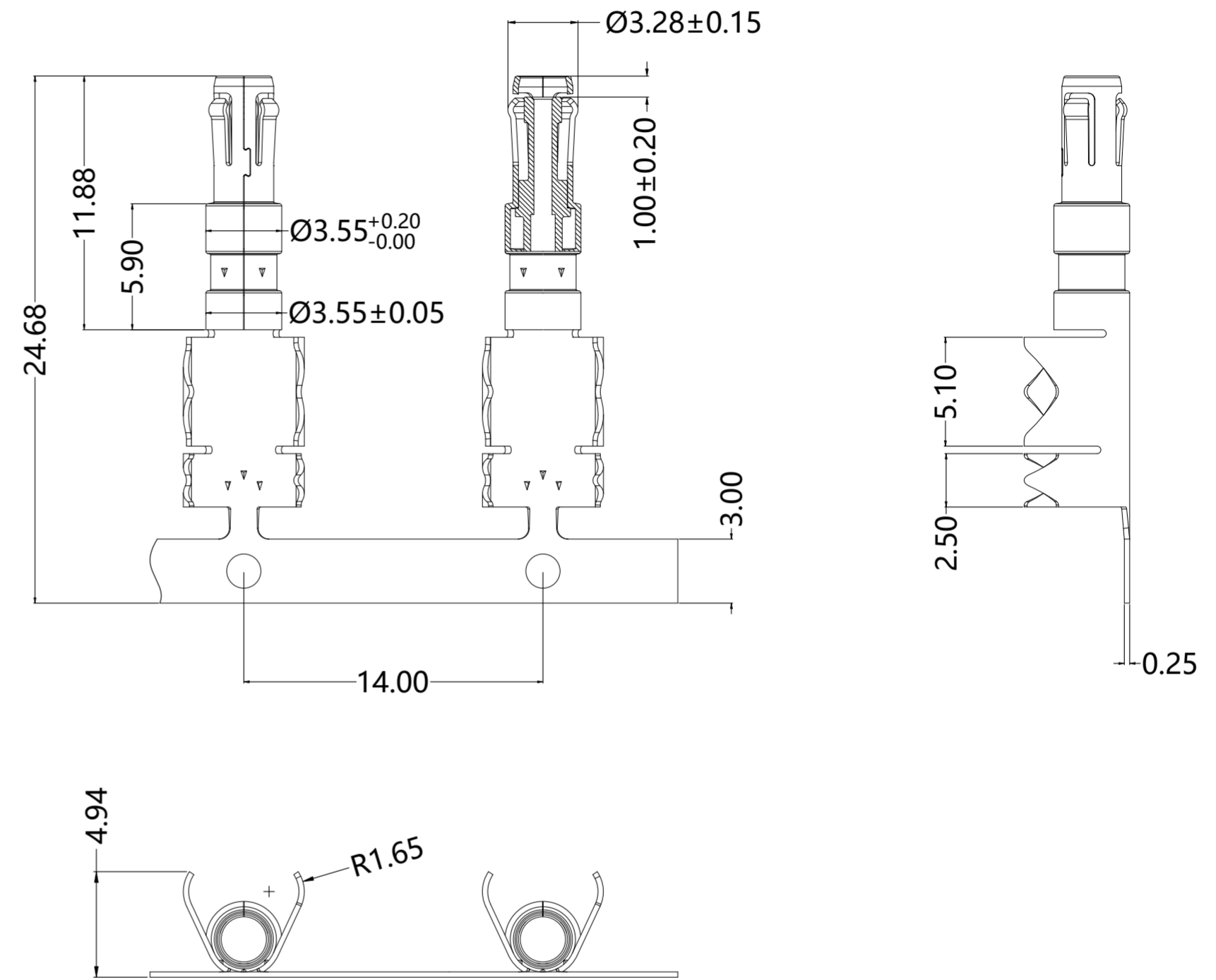


1000PCS/REEL



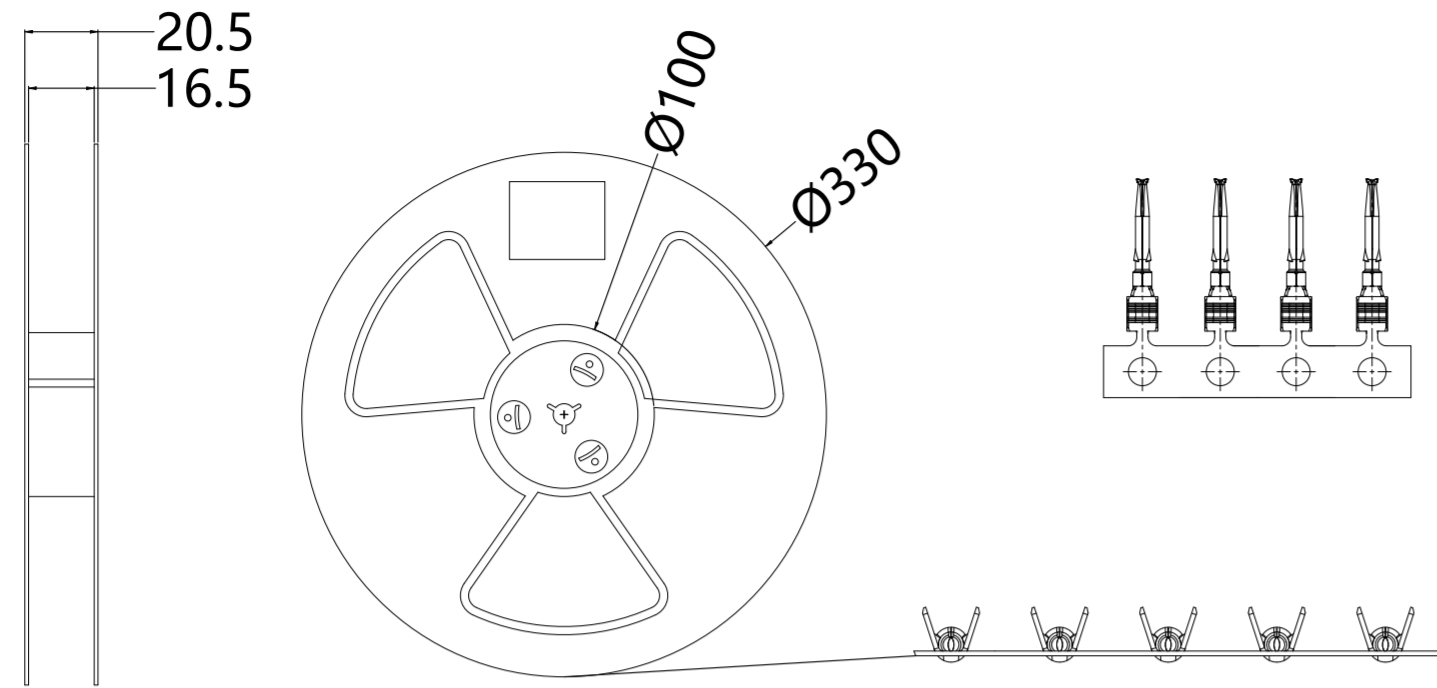
BOX QTY FOR FG 2000 SET

NOTES: BODY SUB-ASSEMBLY PACKING
 - 1000PCS/REEL, 8XREEL/BOX.
 TOTAL: 8000 PCS/BOX

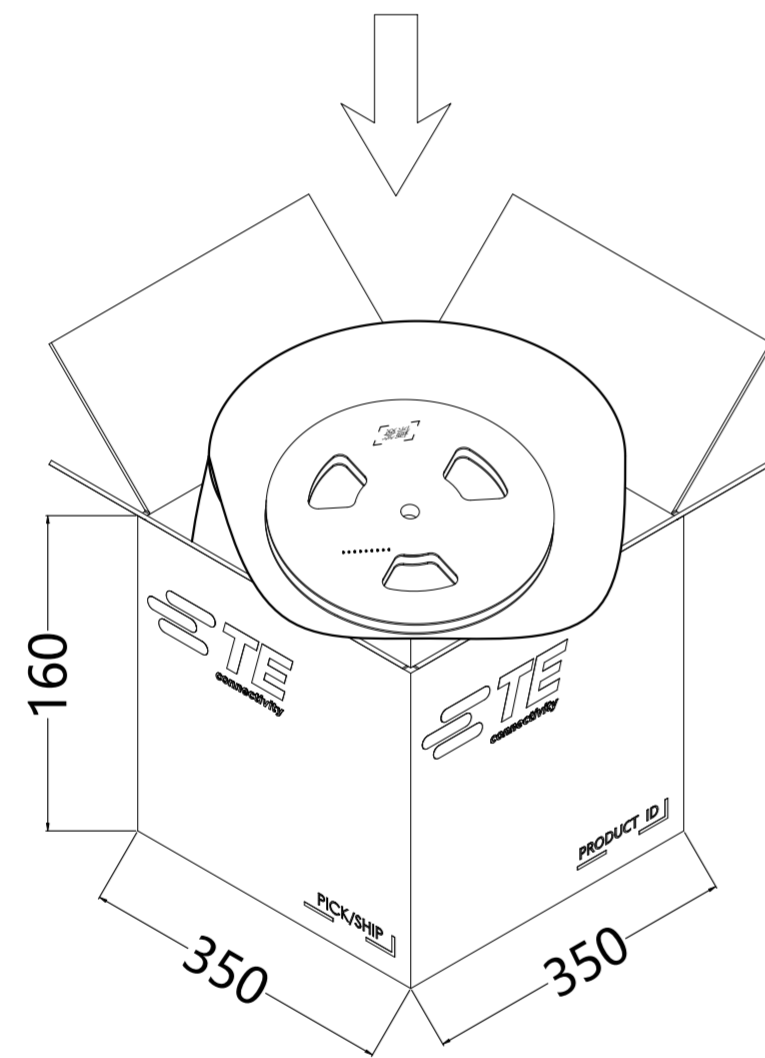


THIS DRAWING IS A CONTROLLED DOCUMENT.		DWN	ED	17OCT2024	 TE Connectivity Ltd.
		CHK	ED	17OCT2024	
		APVD	WH	17OCT2024	
		PRODUCT SPEC			
DIMENSIONS:		TOLERANCES UNLESS OTHERWISE SPECIFIED:		NAME	
mm		0 PLC ± -		MINI FAKRA JACK, STRAIGHT,	
		1 PLC ± 0.3		RG174 CABLE, WITH HOUSING, DC-15GHz	
		2 PLC ± 0.2		-	
		3 PLC ± 0.1		APPLICATION SPEC	
		4 PLC ± -		-	
		ANGLES ± 5°		SIZE	
MATERIAL		FINISH		CAGE CODE	
SEE TABLE		-		A2 00779	
		WEIGHT		DRAWING NO	
		-		C=2474521	
		CUSTOMER DRAWING		RESTRICTED TO	
		SCALE		-	
		8:1		-	
		SHEET		-	
		3 OF 7		-	
		REV		-	
		A2		-	

REVISIONS					
P	LTR	DESCRIPTION	DATE	DWN	APVD
-	-	SEE SHEET 1	-	-	-

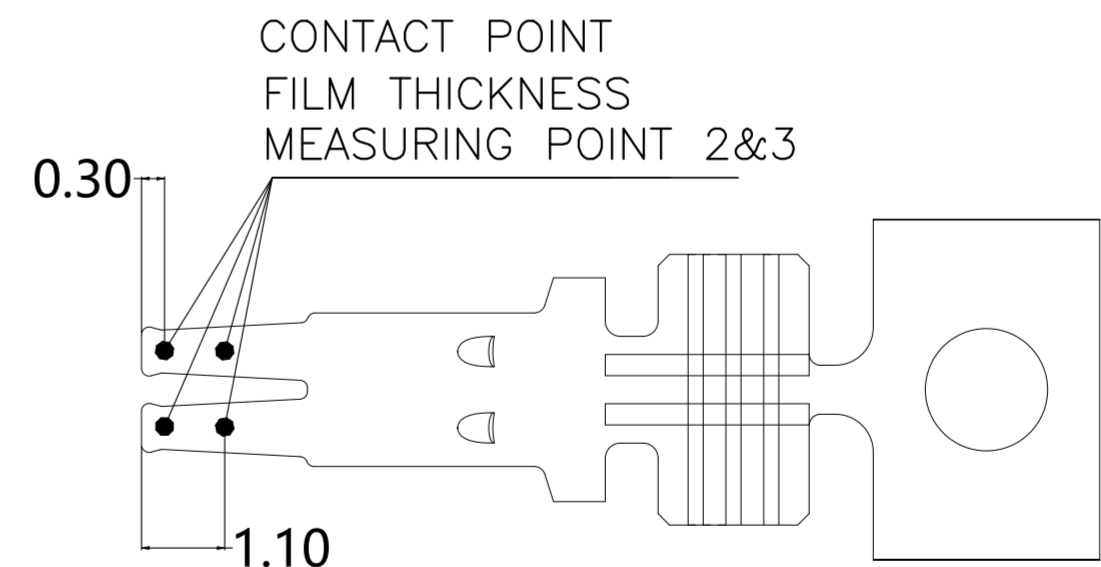
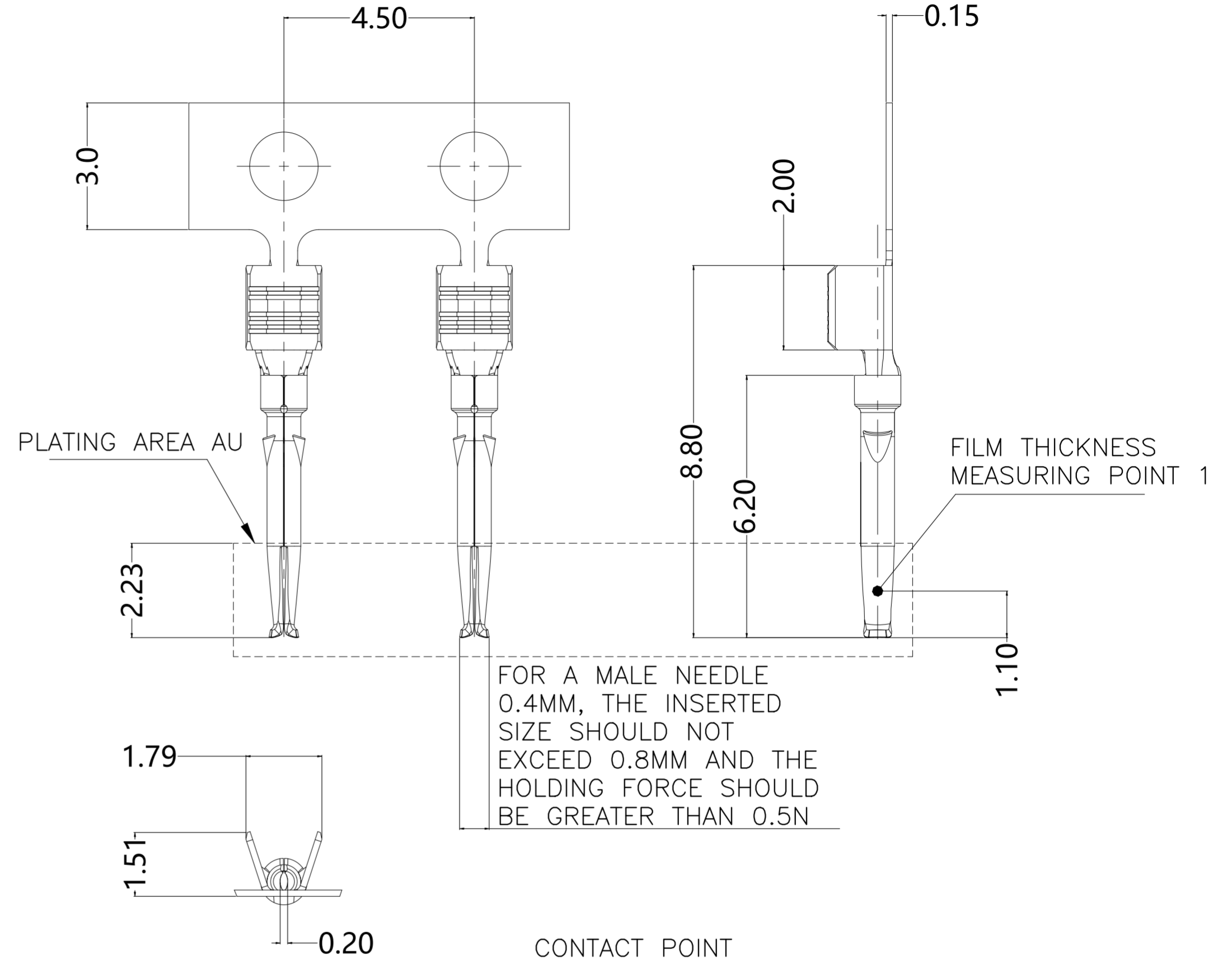


4000 PCS/REEL



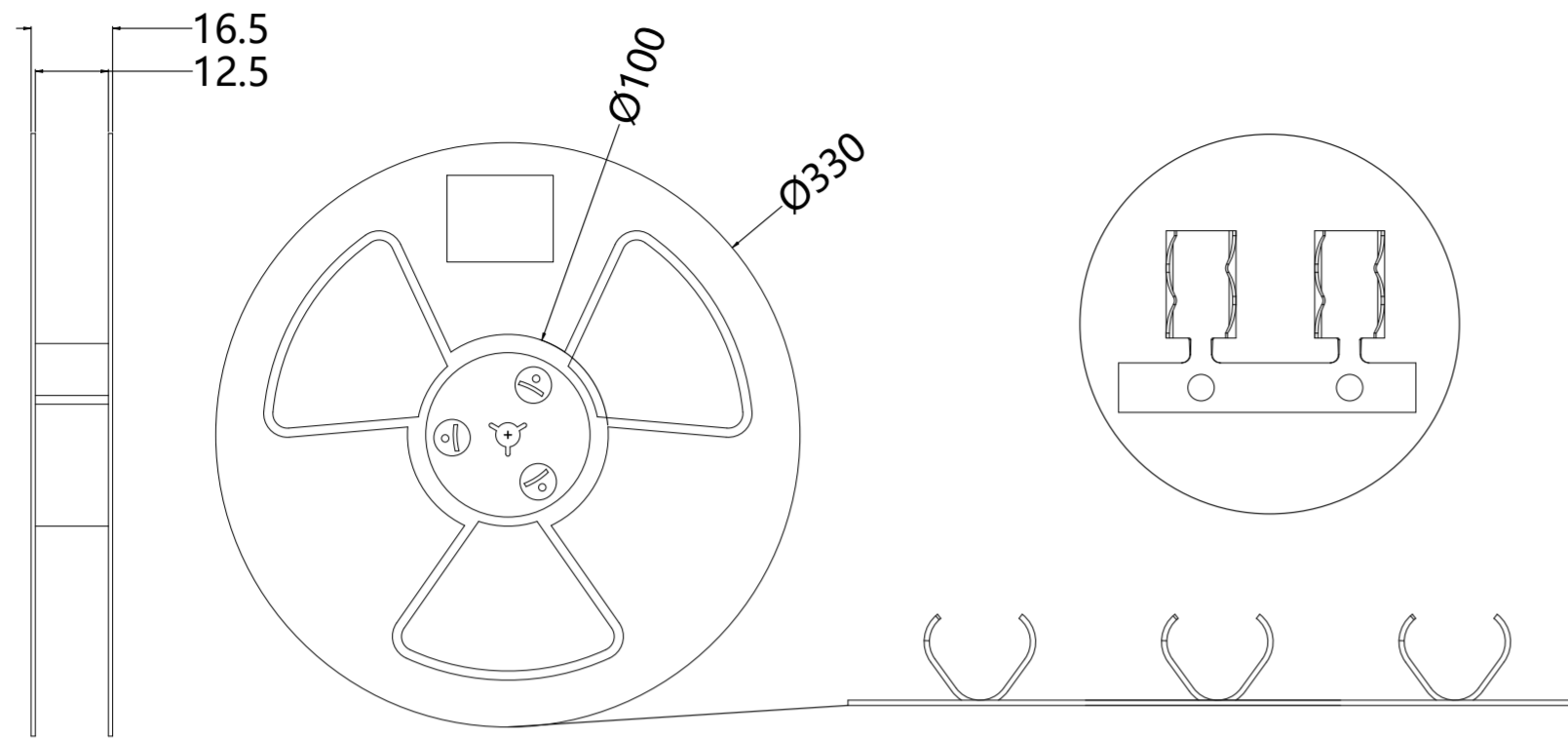
BOX QTY FOR FG 6000 SET

NOTES: TERMINAL PACKING
 -4000 PCS/REEL, 6XREEL/BOX
 TOTAL: 24000 PCS/BOX

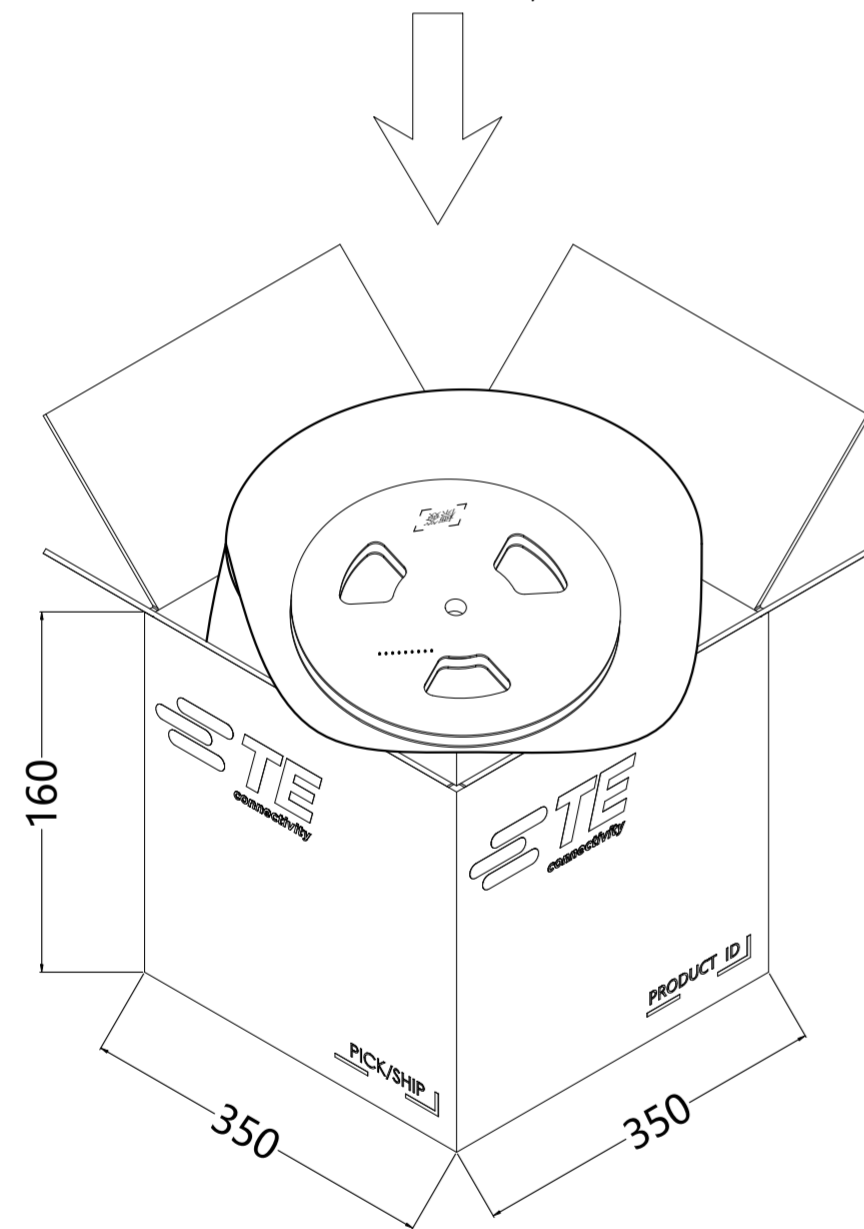


THIS DRAWING IS A CONTROLLED DOCUMENT.		DWN	ED	17OCT2024	TE Connectivity Ltd.			
		CHK	ED	17OCT2024				
		APVD	WH	17OCT2024				
		PRODUCT SPEC		NAME				
DIMENSIONS: mm		TOLERANCES UNLESS OTHERWISE SPECIFIED: 0 PLC ± - 1 PLC ± 0.3 2 PLC ± 0.2 3 PLC ± 0.1 4 PLC ± - ANGLES ± 5°		APPLICATION SPEC -		MINI FAKRA JACK, STRAIGHT, RG174 CABLE, WITH HOUSING,DC-15GHz		
MATERIAL		FINISH		WEIGHT	SIZE	CAGE CODE	DRAWING NO	RESTRICTED TO
SEE TABLE		-		-	A2	00779	C=2474521	-
CUSTOMER DRAWING				SCALE	8:1	SHEET	4 OF 7	REV
								A2

REVISIONS					
P	LTR	DESCRIPTION	DATE	DWN	APVD
-	-	SEE SHEET 1	-	-	-

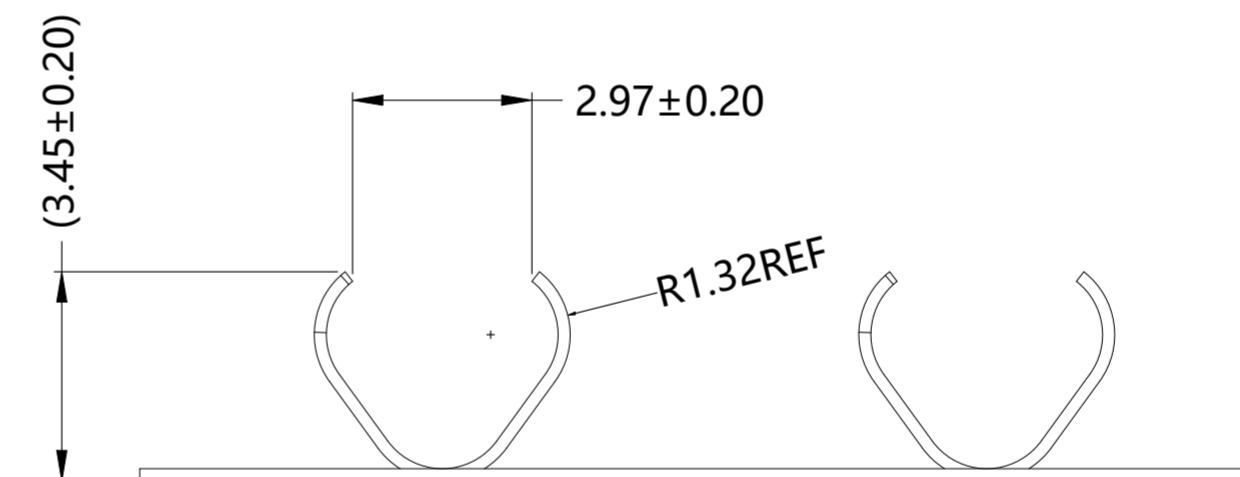
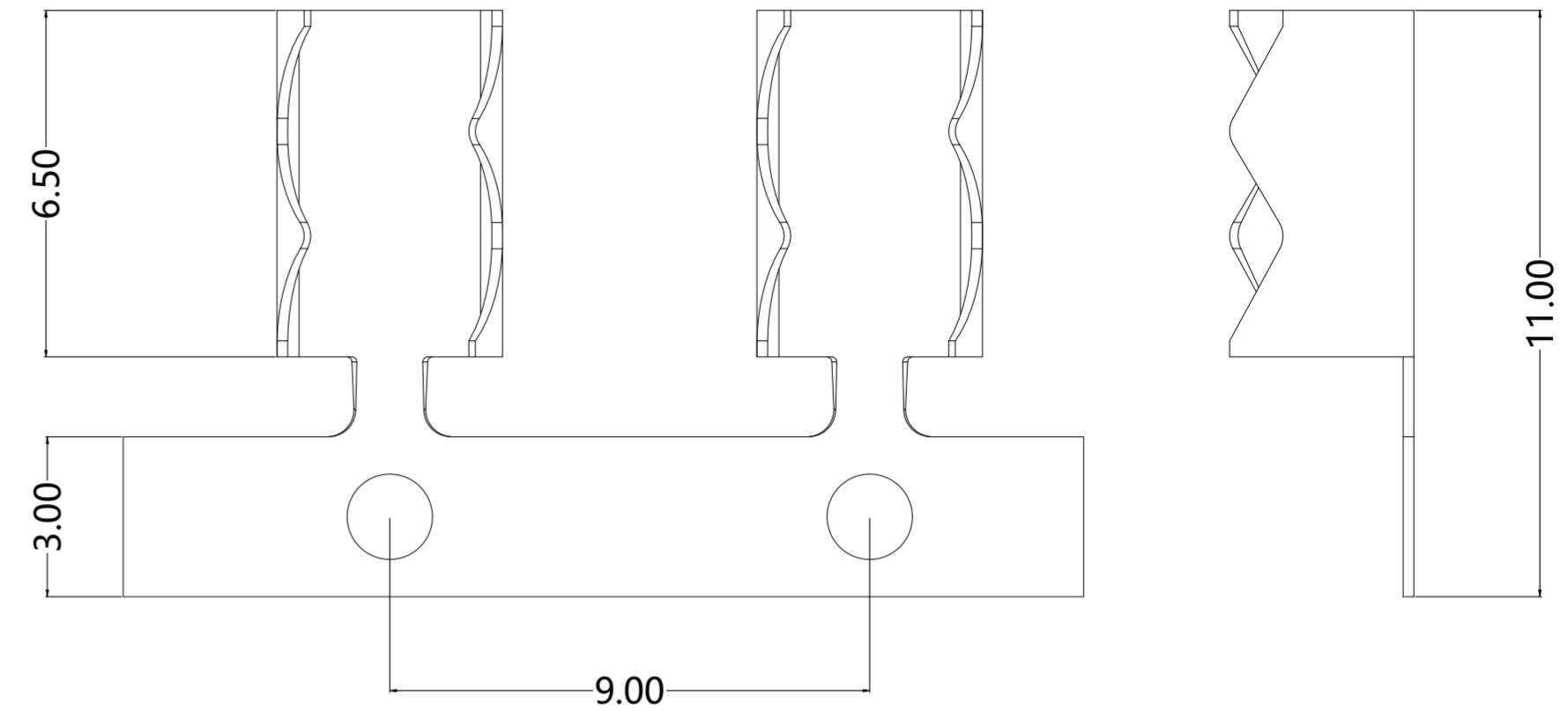


2000 PCS / REEL.



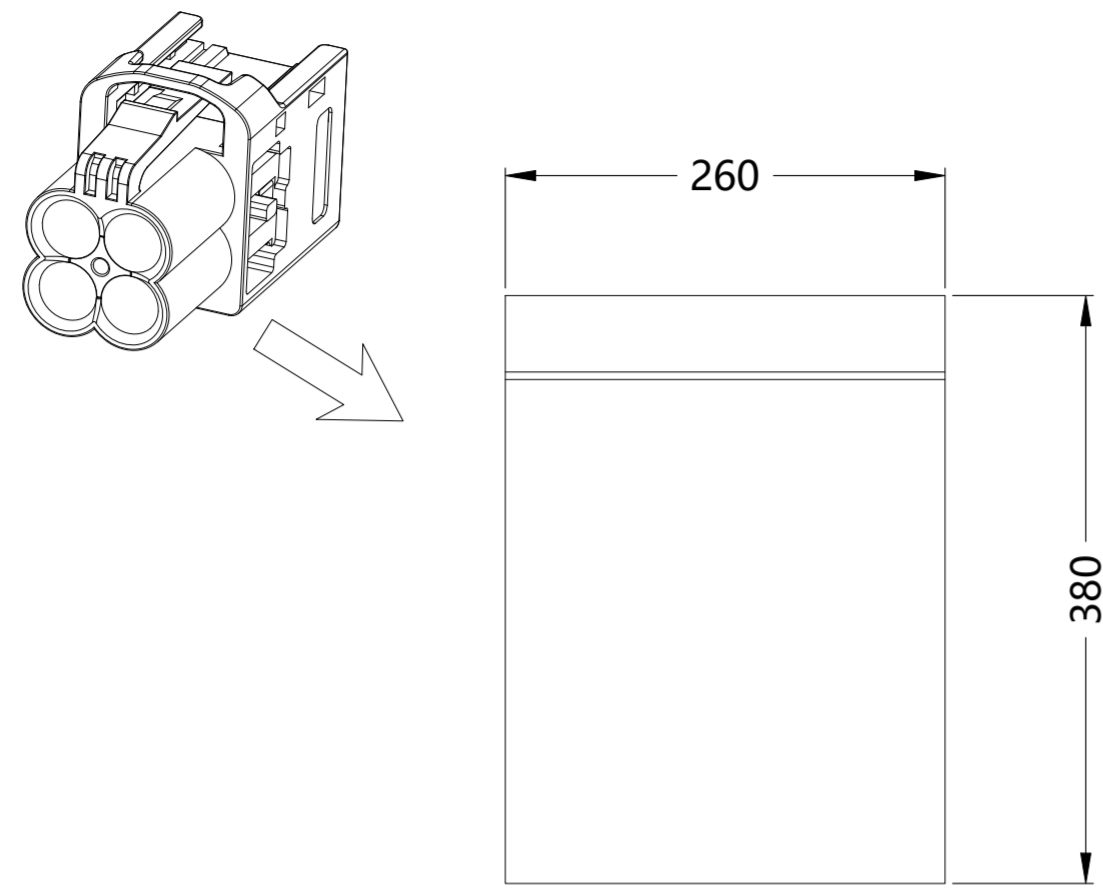
BOX QTY FOR FG 4000 SET

YNOTES:CRIMP PACKING
 -2000PCS/REEL, 8XREEL/BOX
 TOTAL: 16000 PCS/BOX

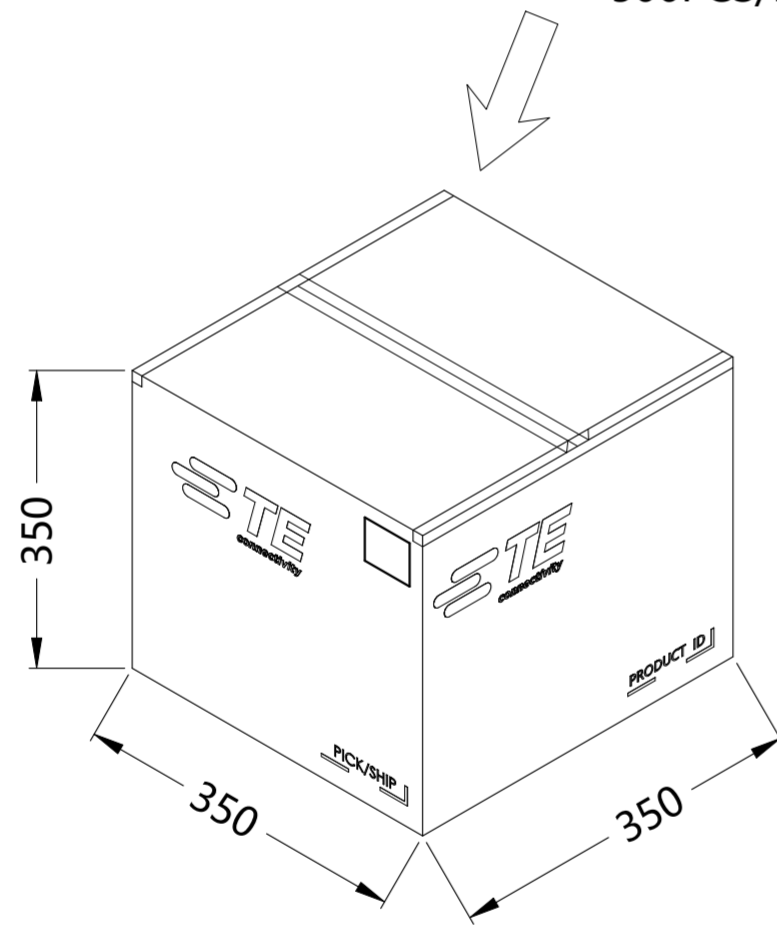


THIS DRAWING IS A CONTROLLED DOCUMENT.		DWN	ED	17OCT2024	 TE Connectivity Ltd.
		CHK	ED	17OCT2024	
		APVD	WH	17OCT2024	
		PRODUCT SPEC		NAME	
DIMENSIONS:		TOLERANCES UNLESS OTHERWISE SPECIFIED:		MINI FAKRA JACK, STRAIGHT, RG174 CABLE, WITH HOUSING,DC-15GHz	
mm		0 PLC ± -		SIZE	
		1 PLC ± 0.3		CAGE CODE	
		2 PLC ± 0.2		DRAWING NO	
		3 PLC ± 0.1		RESTRICTED TO	
		4 PLC ± -		A2 00779 C=2474521	
MATERIAL		FINISH		SCALE	
SEE TABLE		-		8:1	
		WEIGHT		SHEET	
		-		5 of 7	
		CUSTOMER DRAWING		REV	
				A2	

P	LTR	DESCRIPTION	DATE	DWN	APVD
-	-	SEE SHEET 1	-	-	-

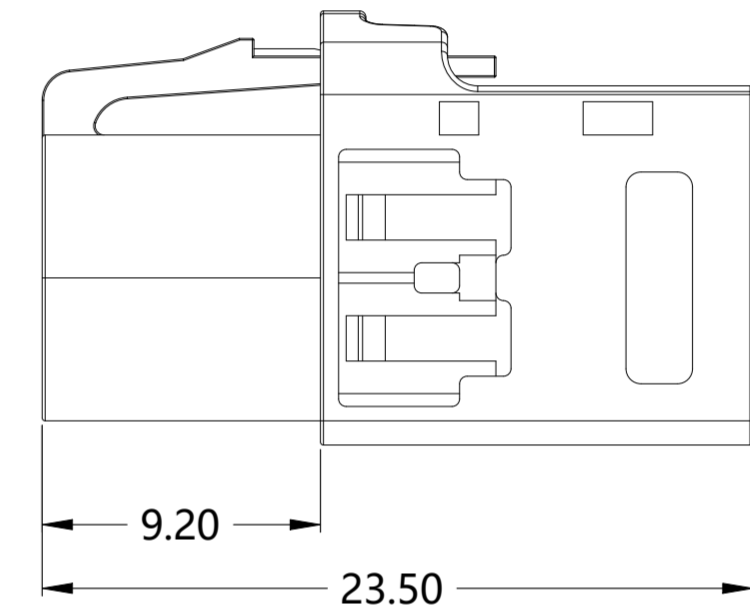
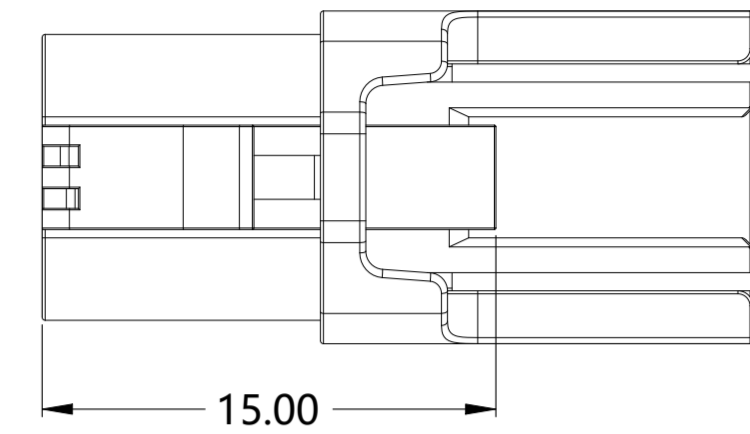
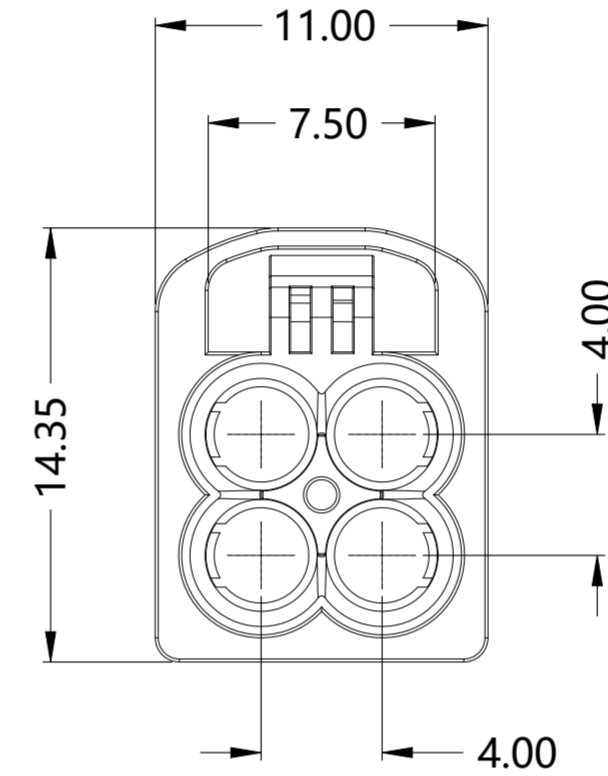


500PCS/BAG.



BOX QTY FOR FG 4000 SET

NOTES: HOUSING PACKING
 -500PCS/BAG, 8XBAG/BOX.
 TOTAL:4000 PCS/BOX



THIS DRAWING IS A CONTROLLED DOCUMENT.		DWN	ED	17OCT2024	TE Connectivity Ltd.
		CHK	ED	17OCT2024	
		APVD	WH	17OCT2024	
		PRODUCT SPEC		NAME	
DIMENSIONS: mm		TOLERANCES UNLESS OTHERWISE SPECIFIED:		MINI FAKRA JACK, STRAIGHT, RG174 CABLE, WITH HOUSING,DC-15GHz	
		0 PLC	±	-	SIZE
		1 PLC	±	0.3	CAGE CODE
		2 PLC	±	0.2	DRAWING NO
		3 PLC	±	0.1	RESTRICTED TO
		4 PLC	±	-	A2 00779
		ANGLES	±	5°	C=2474521
MATERIAL SEE TABLE		FINISH		-	WEIGHT
				-	CUSTOMER DRAWING
				-	SCALE 8:1
				-	SHEET 6 OF 7
				-	REV A2

