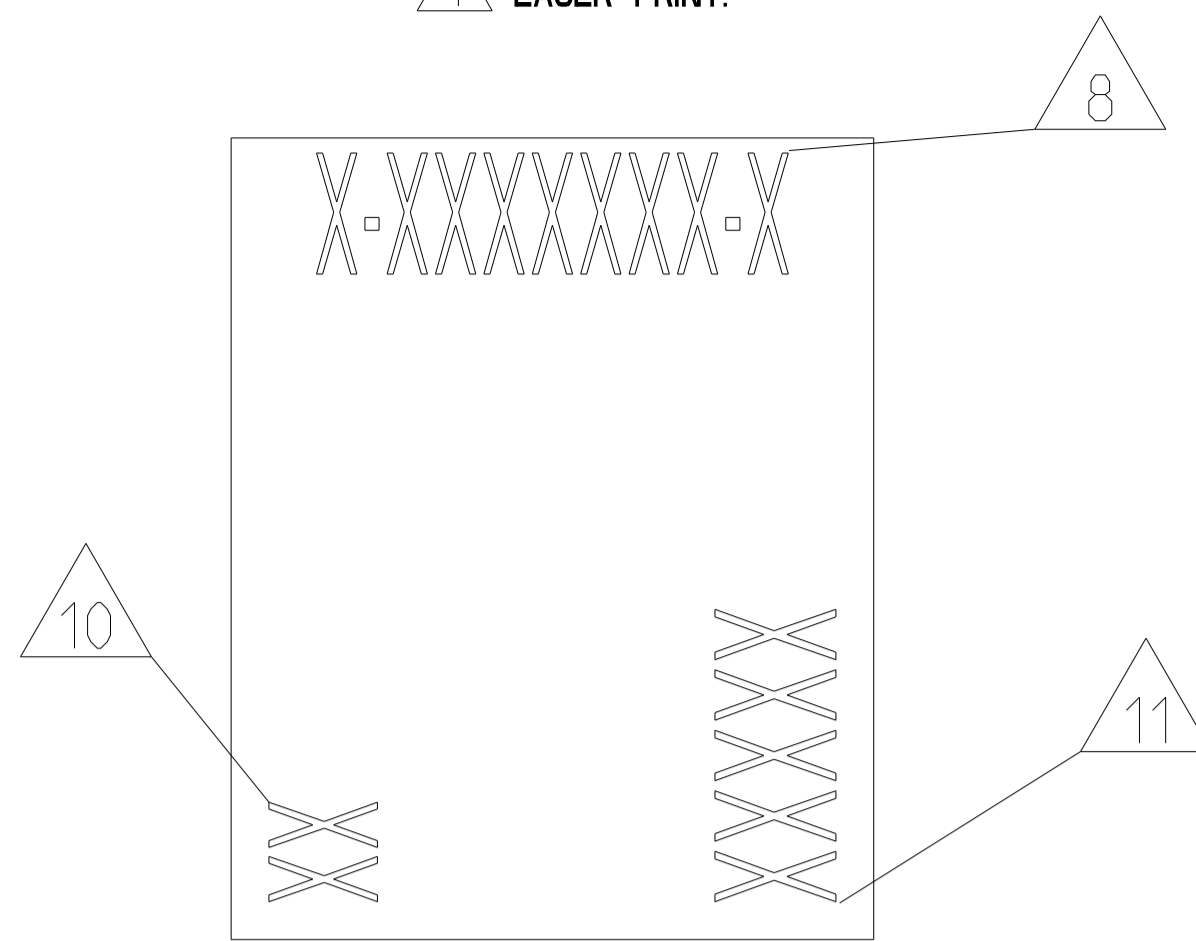
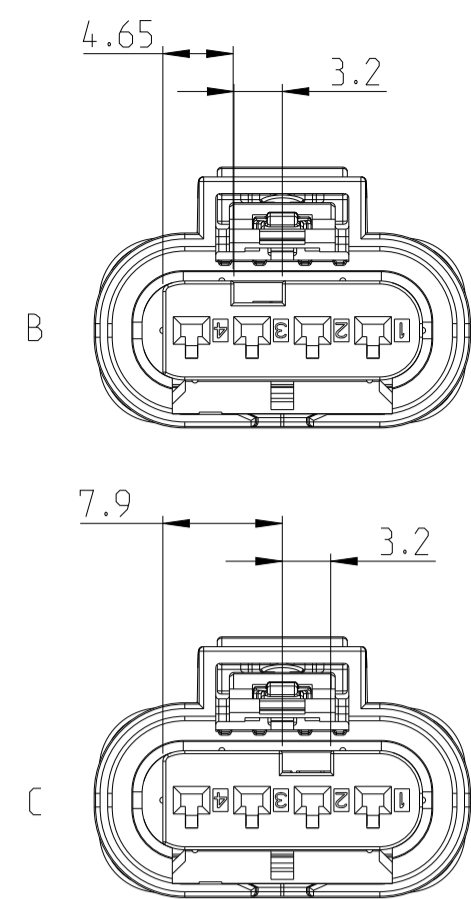


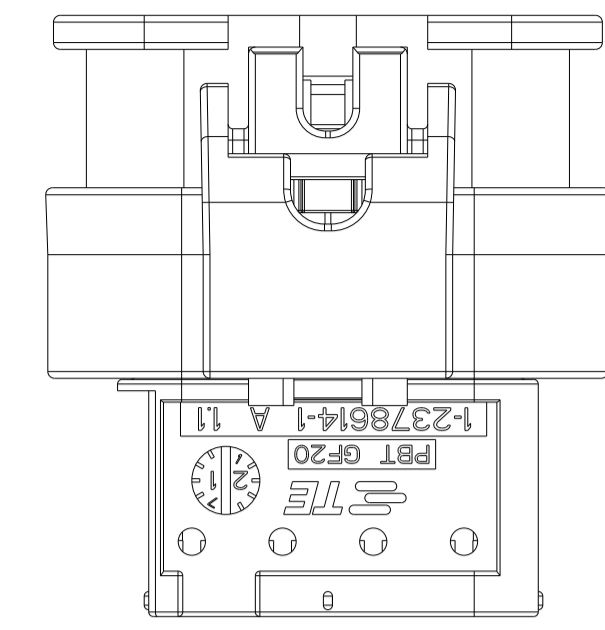
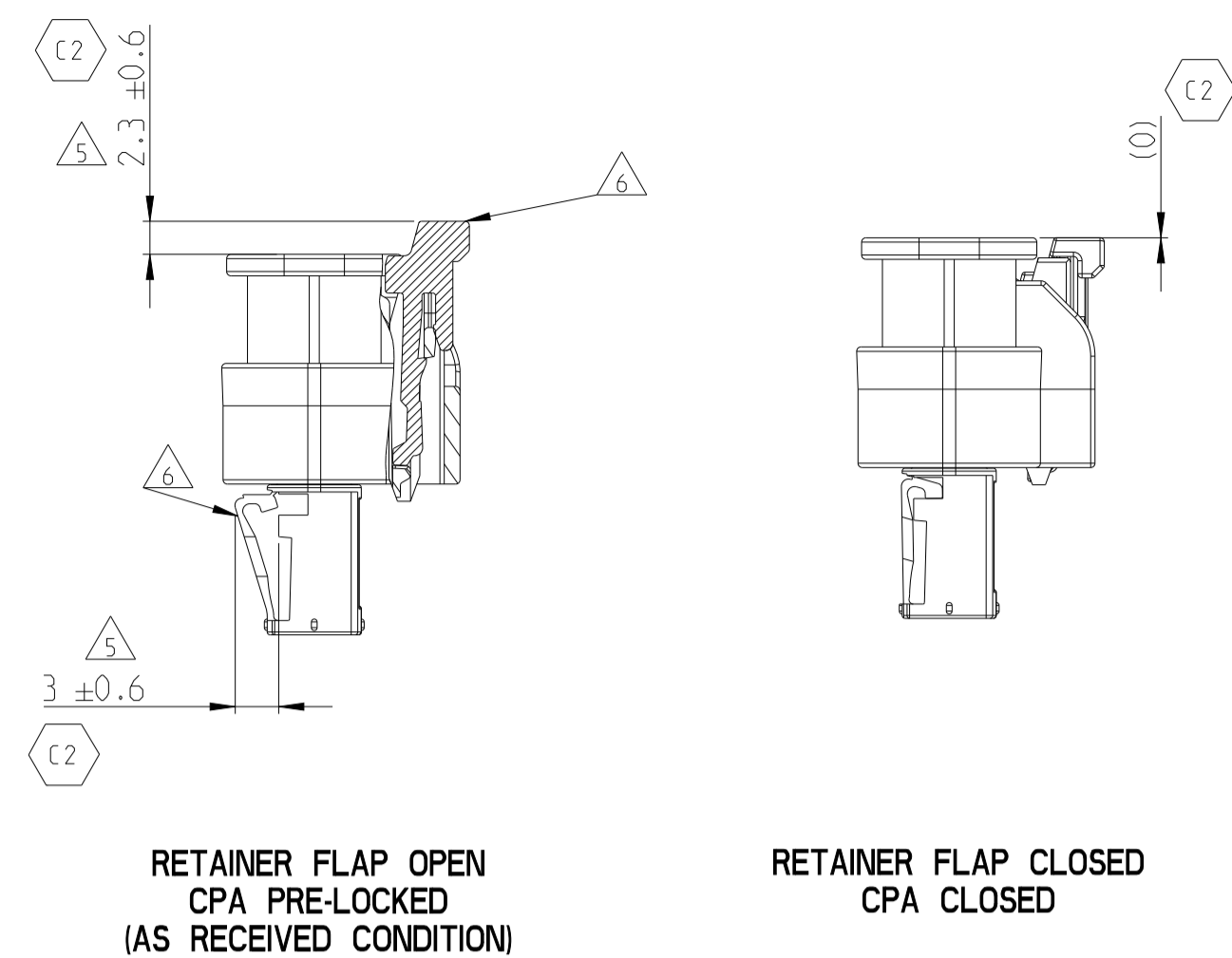
1 LASER PRINT:



CODINGS 2:1

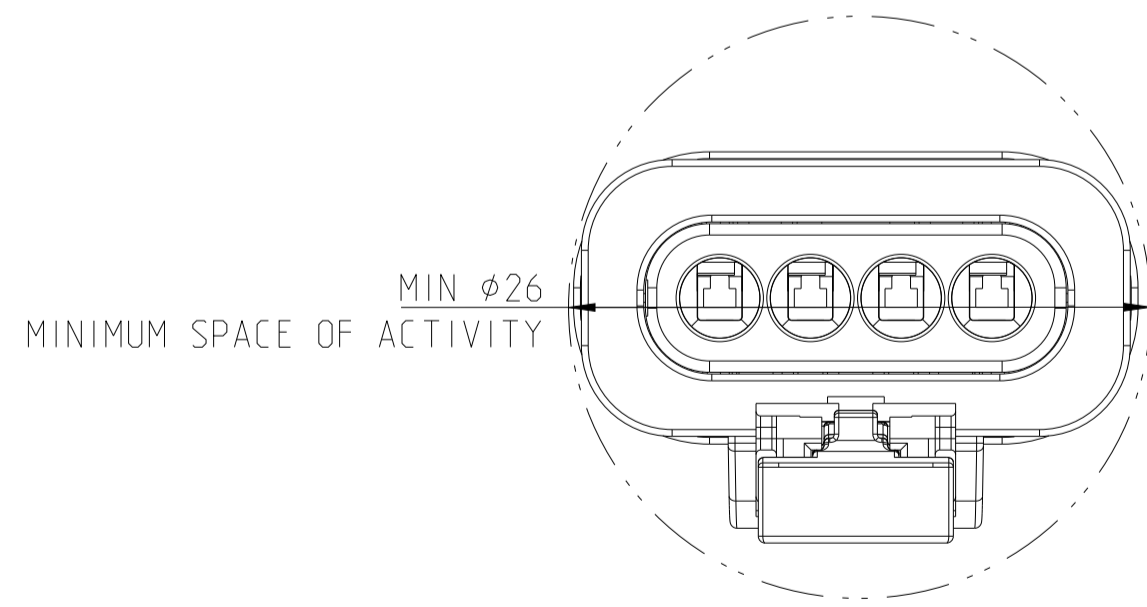
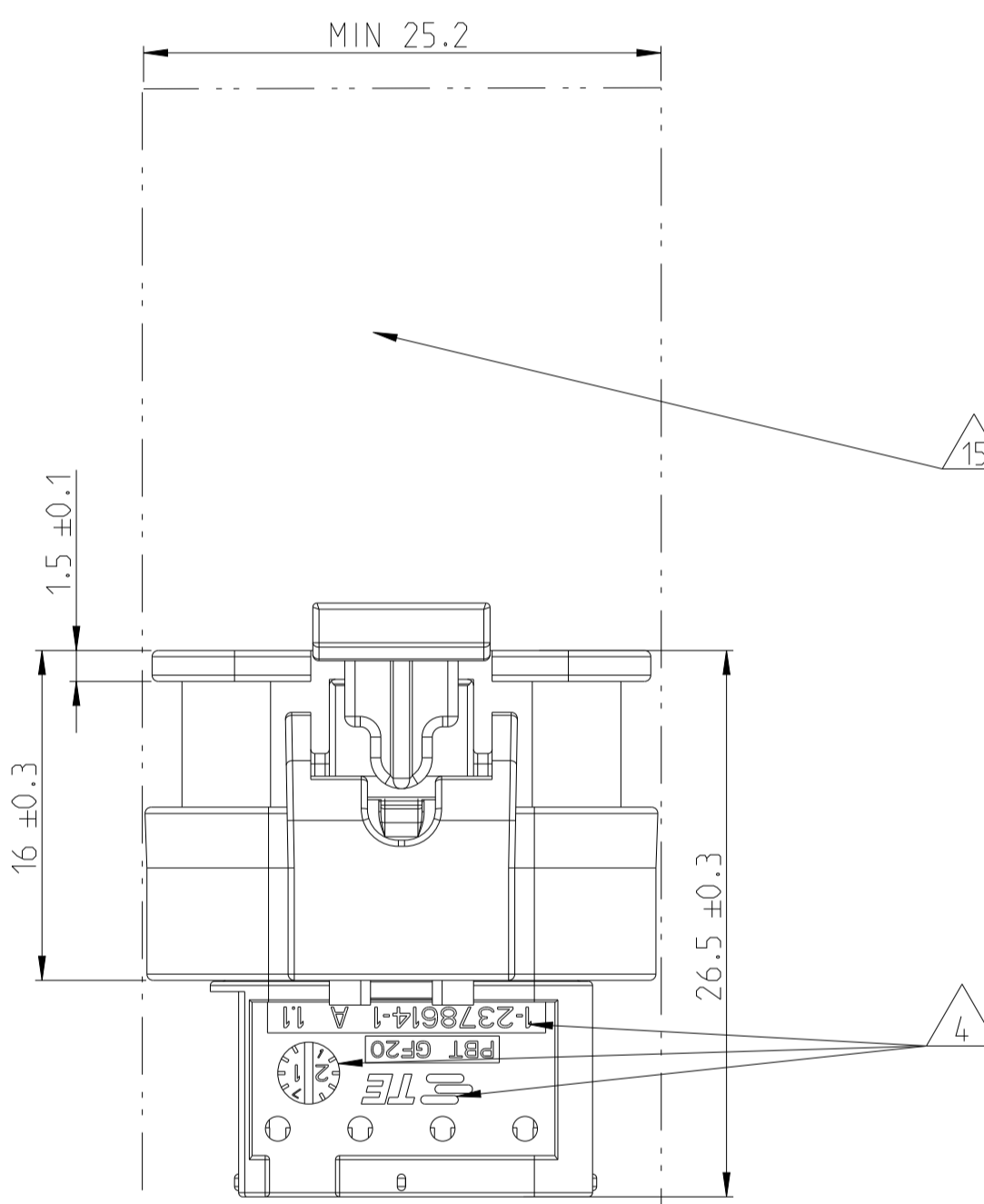
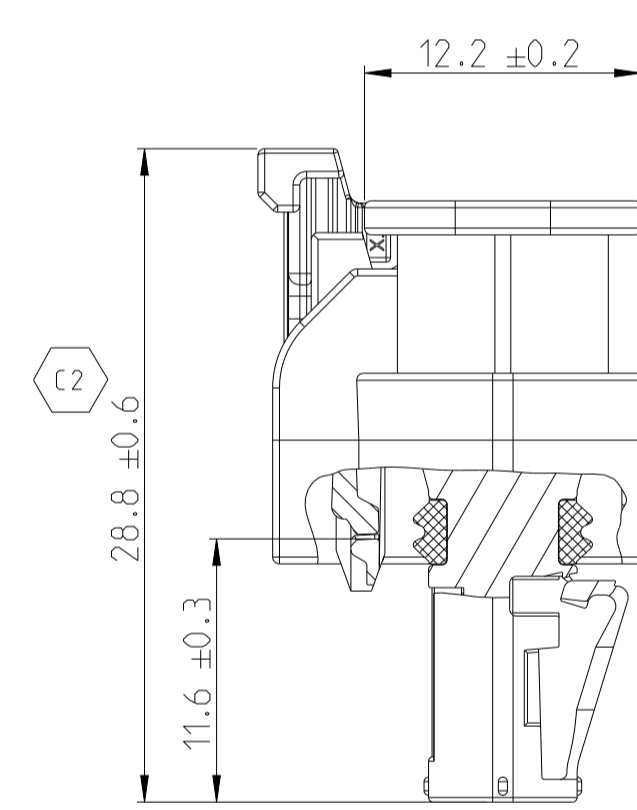
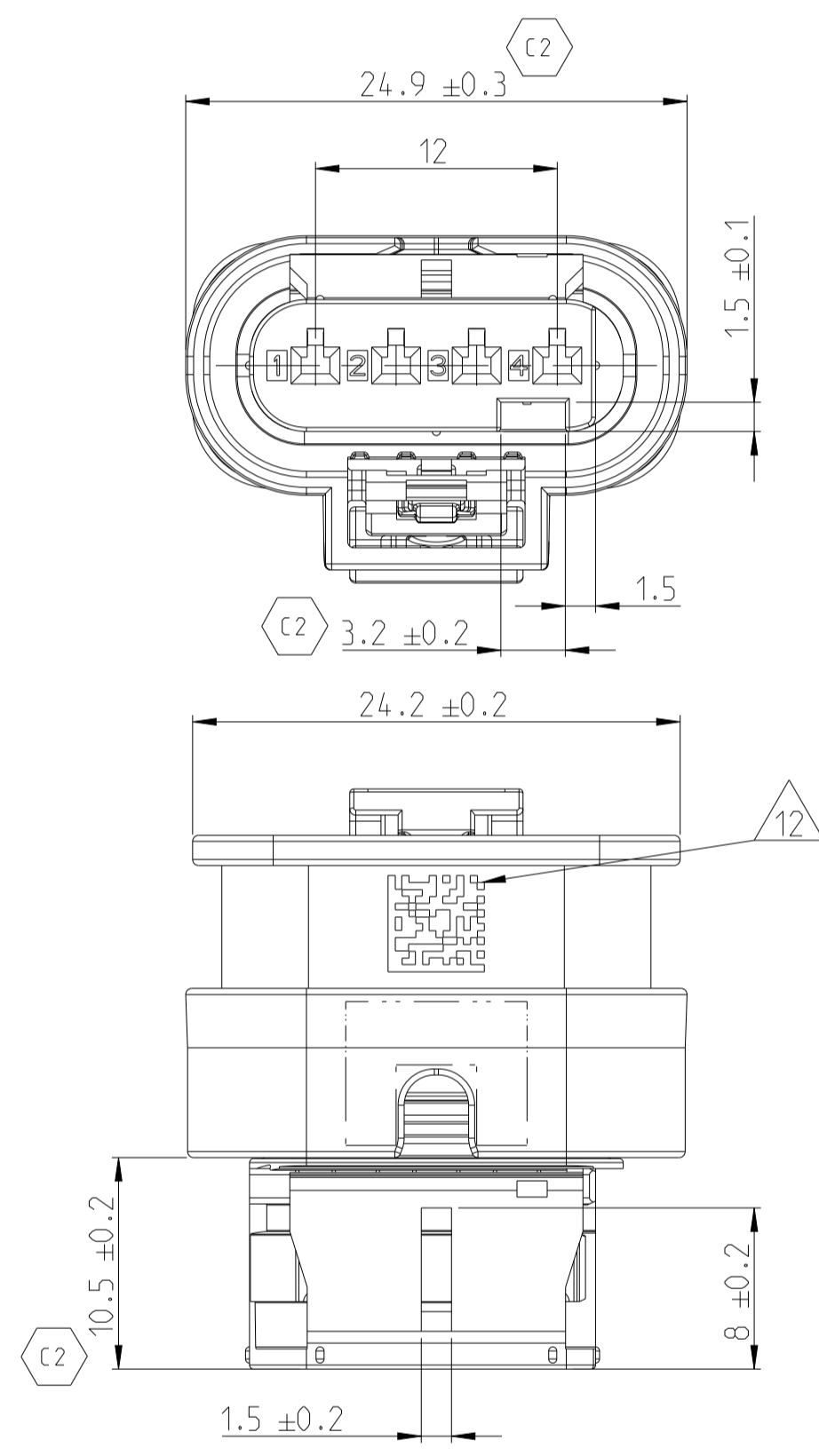


REATAINER FLAP OPEN VS CLOSED 2:1



12 VERSION WITHOUT CPA

REVISIONS				
P	LTN	DESCRIPTION	DATE	APV
C1		INTRODUCTION OF NEW VARIANT	18NOV2024	LSZ SZN
C2		TOLERANCE CORRECTION	08AUG2025	GYR LSZ
D		INTRODUCTION OF NEW VARIANT	18FEB2026	GYR SZN
D1		NOTE CORRECTION	08MAY2026	GYR SZN

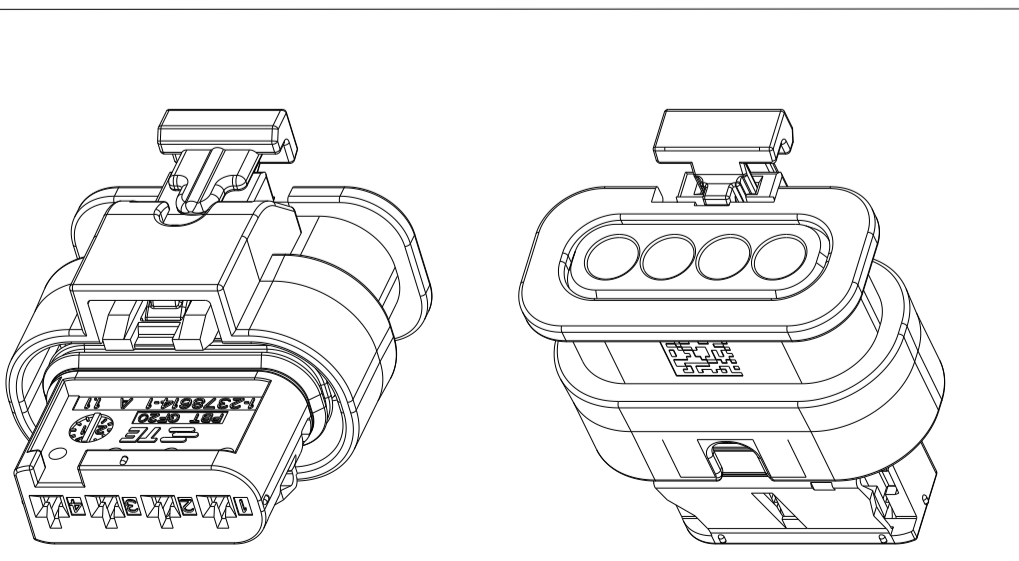


NOTES:

- 1 AREA FOR LASER PRINT
- 2 USABLE CONTACTS: MCON 1.2 LL - SINGLE WIRE SEAL CONTACTS SEE TE-NO. 1452674
- 3 MAX. WIRE SIZE RANGE 1.0 mm² FLR PERMITTED FOR CAVITY-Ø 3.55MM QUANTITY SEE WIRE HARNESS DRAWING FOR PERMISSIBLE CURRENT CARRYING CAPACITY OF THE SINGLE CONTACT SEE PRODUCT SPECIFICATION NO.108-18782 VOLTAGE PROOF UP TO 48V ACC. TO DIN EN 60664-1 MAX OPERATING TEMPERATURE 130°C VIBRATION RESISTANCE UP TO SG4 - ACC. TO LV214 REV. 6
- 4 SUPPLIER-MARK (ONLY FOR TE CONNECTIVITY INTERNAL TRACKING)
- 5 SPACE OF ACTIVITY
- 6 SUPPLY CONDITION: CPA (4) AND RETAINER FLAP (1) IN PRELOCKED POSITION
- 7 WARPAGE PERMITTED TO MAX. -0.5mm
- 8 TE ORDER-NO.
- 9 ACCORDING TO INTERFACE DRAWING SEE TE-NO. 114-18679-3
- 10 ASSEMBLY LINE SEGMENT IDENTIFICATION
- 11 DATE CODE (DDYY)
- 12 QR CODE: FIRST ROW: MANUFACTURING INFORMATION ONLY FOR TE CONNECTIVITY SECOND ROW: TE.COM ONLINE CATALOG LINK FOR CUSTOMER
- 14 THE MARKING ON THE COMPONENTS MAY VARY IN THE SAME BATCH IT DOES NOT SERVE ANY FUNCTION IT IS ONLY USED FOR TE CONNECTIVITY INTERNAL TRACKING FOR VALID CUSTOMER TRACKING PLEASE USE THE LASER PRINT - SEE NOTE 1
- 15 PLEASE CARRY OUT THE CLEARANCE TEST FOR THE SOCKET HOUSING BASED ON THE WIRE SIZE USED
- 16 SECONDARY LOCK THAT HAVE BEEN CLOSED DURING TRANSPORT CAN BE MOVED BACK TO PRE-LOCKED POSITION ACCORDING TO INSTRUCTIONS FOUND IN THE APPLICATION SPEC.

1-2378604-1 AS SHOWN

REV	DESCRIPTION	MATERIAL	COLOUR	ITEM NO		
-	-	-	-	-		
1	4POS NEXTGEN MCON 1.2 LL CPA	PBT-GF30	RED	4		
1	4POS MCON 1.2 - SEAL	SILOPREN LSR	BLUE	3		
1	4POS, NEXTGEN MCON 1.2 - PROTEC. COVER	PA6-GF15	BLACK	2		
1	4POS NEXTGEN MCON 1.2 - RECEPTACLE HSG. - COD C	PBT-GF20	BLUE	1		
-	4POS NEXTGEN MCON 1.2 - RECEPTACLE HSG. - COD B	PBT-GF20	BROWN	1		
-	4POS NEXTGEN MCON 1.2 - RECEPTACLE HSG. - COD A	PBT-GF20	BLACK	1		
3-	-62-	-61-	-63-	-12-	-11-	-1
D	D	C	C	C	C	



3D VIEW 2:1

DIMENSIONS: mm 0 PLC ±0.1 1 PLC ±0.05 2 PLC ±0.01 3 PLC ±0.001 4-PLC ±0.0001 ANGLES FINISH ±		TOLERANCES UNLESS OTHERWISE SPECIFIED ACC. TO DIN 16901-140@CENTRIC TO NOMINAL DIMENSION, EDITION 1982-11 SHALL APPLY. Freimisstoleranzen nach DIN 16901-140. Es gilt die Ausgabe 1982-11.	
MATERIAL: SEE BOM		WEIGHT: -	
CUSTOMER DRAWING		SCALE: 4:1 SHEET 1 OF 1 REV: 01	