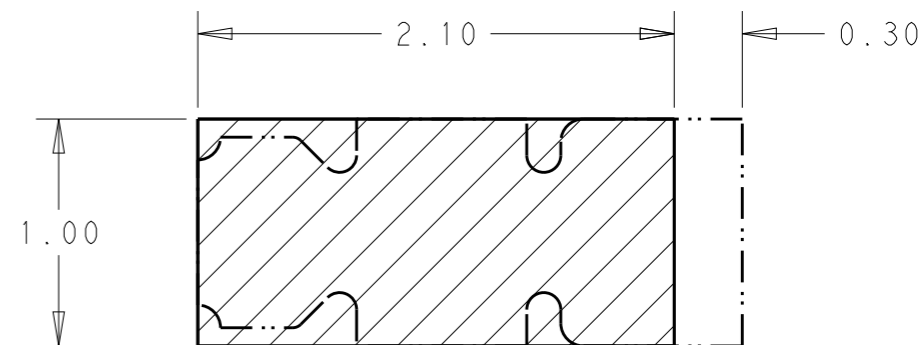
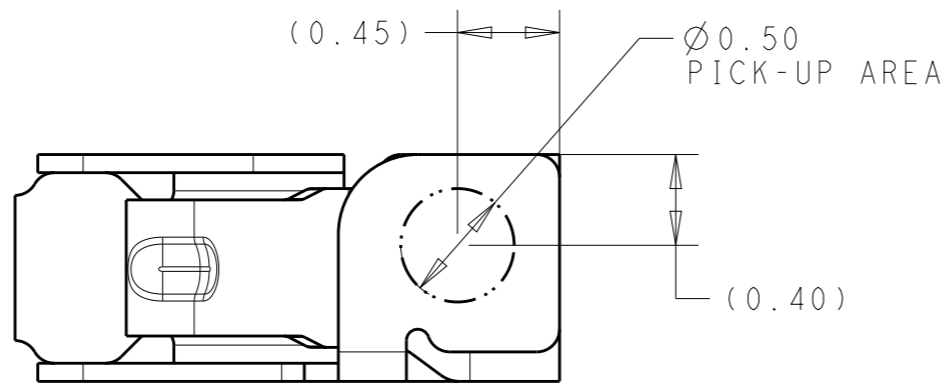


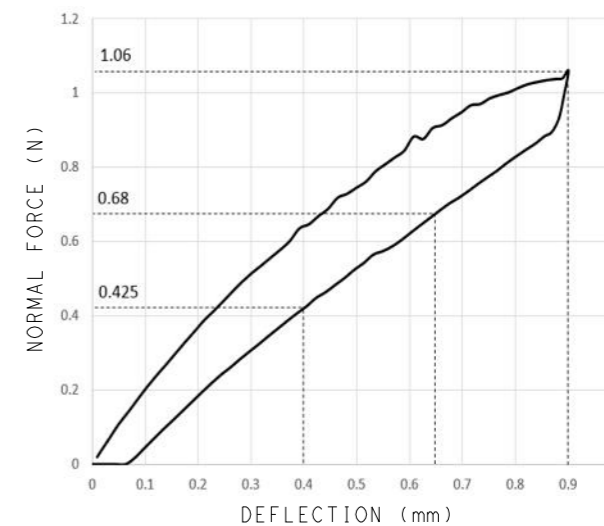
REVISIONS

P	LTR	DESCRIPTION	DATE	DWN	APVD
	A	REVISED	02SEP2016	J. J	W. H

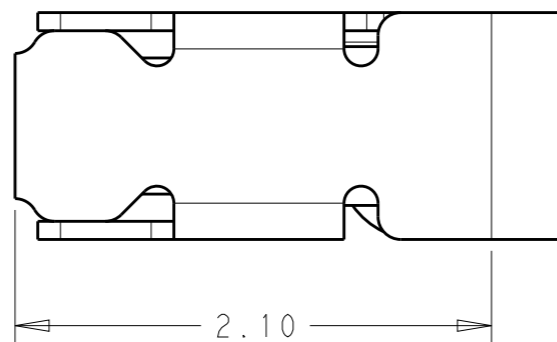
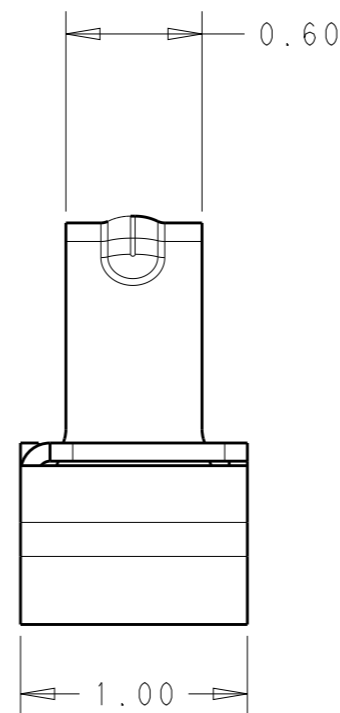
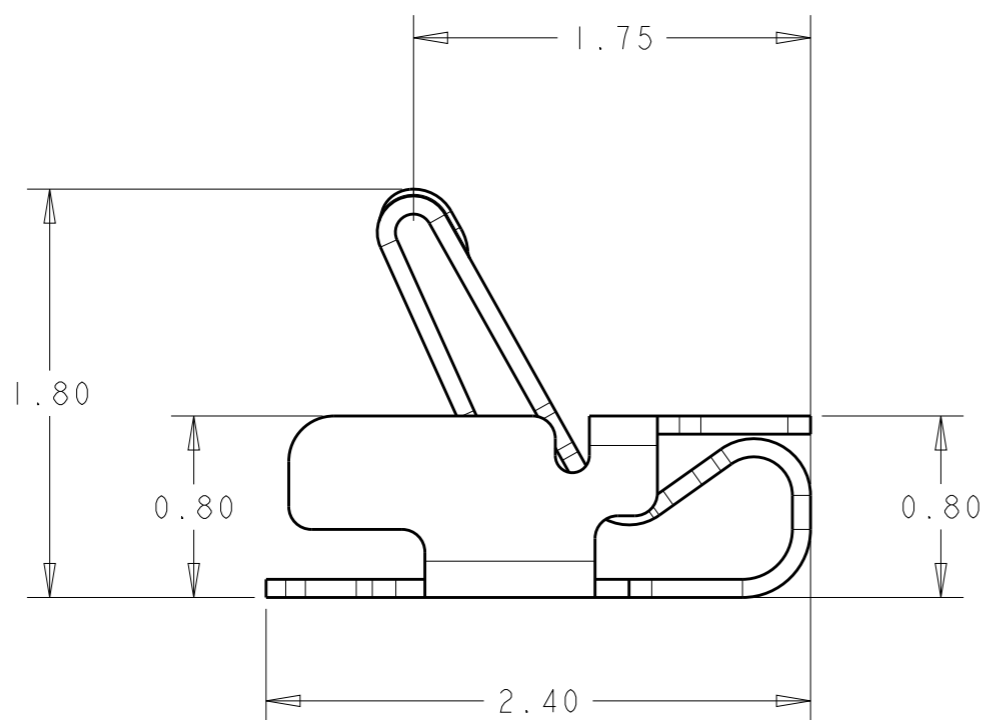
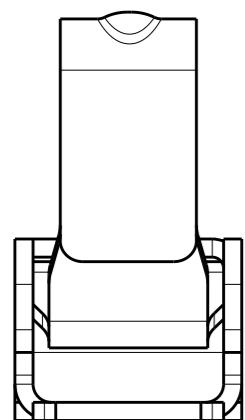


PRODUCT PROFILE
REFERENCE PCB LAYOUT
TOLERANCE \pm 0.05

NORMAL FORCE CURVE

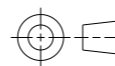


- 1 PART NUMBER: 2306654-3
- 2 MATERIAL: STAINLESS STEEL, THICKNESS=0.08MM.
- 3 PLATING: 2um MIN. NICKEL UNDERLAYER ALL OVER
0.10um MIN. GOLD ON CONTACT SURFACE
GOLD FLASH ON SOLDERING SURFACE
- 4 PICK AND PLACE SURFACE \varnothing 0.5MM.
- 5 WORKING RANGE 1.15 ± 0.25 mm.



THIS DRAWING IS A CONTROLLED DOCUMENT.

DIMENSIONS:
mm



TOLERANCES UNLESS OTHERWISE SPECIFIED:
 \pm 0.2

\varnothing PLC	\pm
1 PLC	\pm 0.1
2 PLC	\pm 0.01
3 PLC	\pm 0.001
4 PLC	\pm 0.0001
ANGLES	\pm

MATERIAL
SEE NOTE

FINISH
SEE NOTE

DWN JONE JI 12JUL2016

CHK WENKE HE 12JUL2016

APVD WENKE HF 12JUL2016

PRODUCT SPEC

108-115120

APPLICATION SPEC

-

WEIGHT

-

CUSTOMER DRAWING



TE Connectivity

NAME
SPRING FINGER 1.8H

-

SIZE

A3

CAGE CODE

-

DRAWING NO

C-2306654

RESTRICTED TO

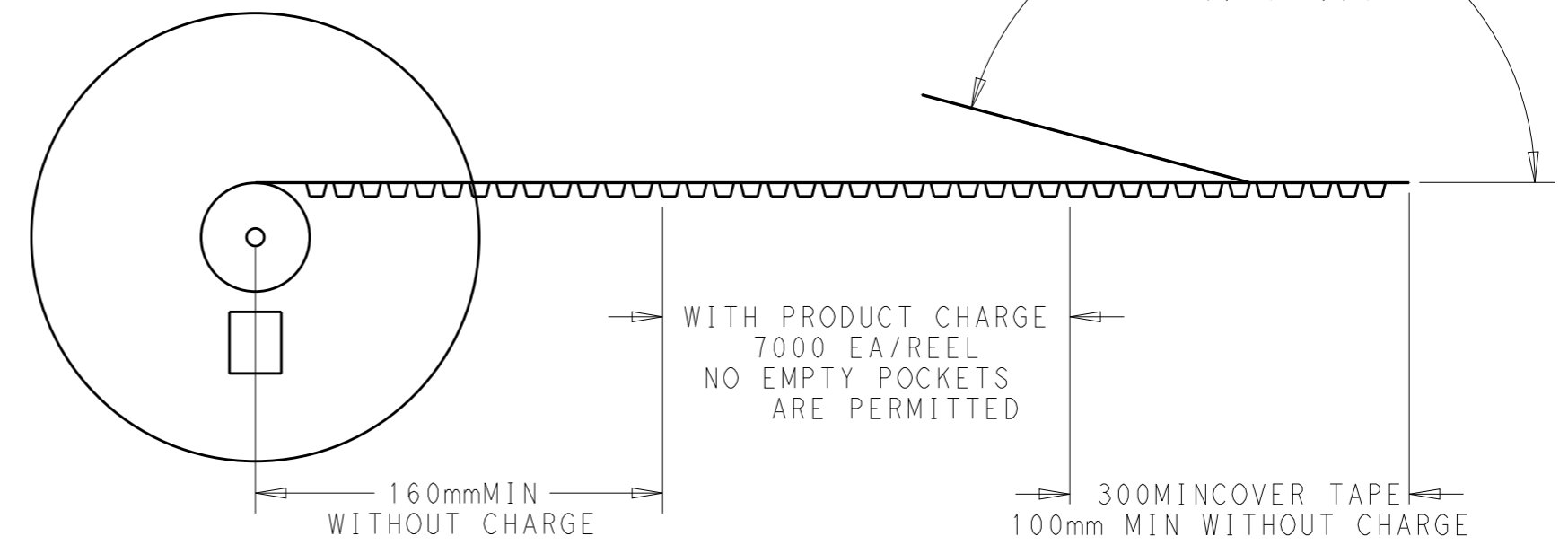
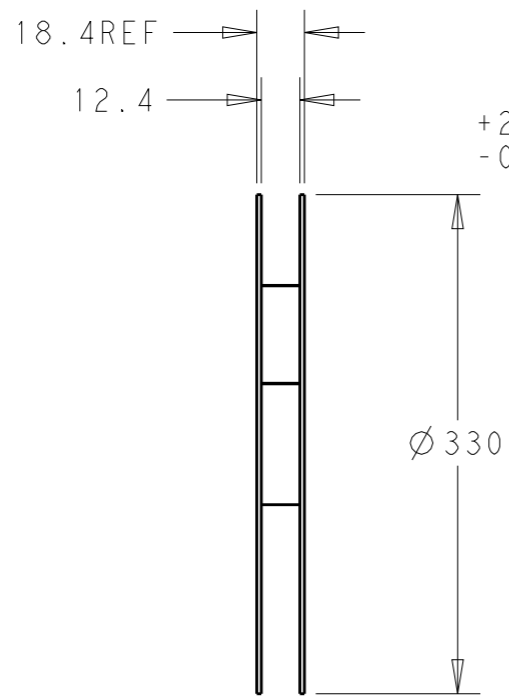
-

SCALE 20:1

SHEET 1 OF 2

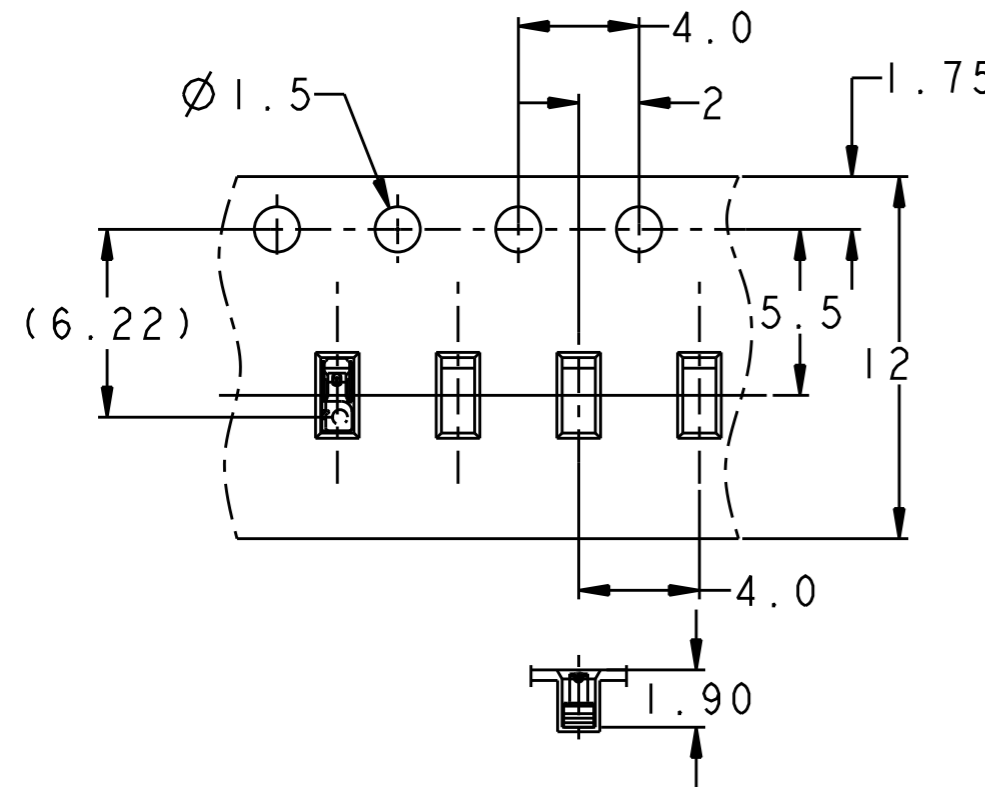
REV A

P	LTR	DESCRIPTION	DATE	DWN	APVD


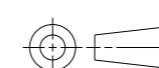


PEELING ANGLE
165°~180°
PEELING FORCE
0.1N~1.0N

➔ DIRECTION OF TOP OF REEL



PACKAGE FOR REFERENCE

THIS DRAWING IS A CONTROLLED DOCUMENT.		DWN JONE JI 12JUL2016	 TE Connectivity		
DIMENSIONS: mm		CHK WENKE HE 12JUL2016			NAME -
		APVD WENKE HF 12JUL2016			PRODUCT SPEC -
TOLERANCES UNLESS OTHERWISE SPECIFIED: ±0.2		APPLICATION SPEC -	SPRING FINGER 1.8H		
0 PLC ± 1 PLC ±0.1 2 PLC ±0.01 3 PLC ±0.001 4 PLC ±0.0001 ANGLES ±		WEIGHT -	SIZE A3	CAGE CODE -	
MATERIAL SEE NOTE		FINISH SEE NOTE	DRAWING NO C-2306654	RESTRICTED TO -	
-		CUSTOMER DRAWING	SCALE 1:1	SHEET 2 OF 2	
-				REV A	