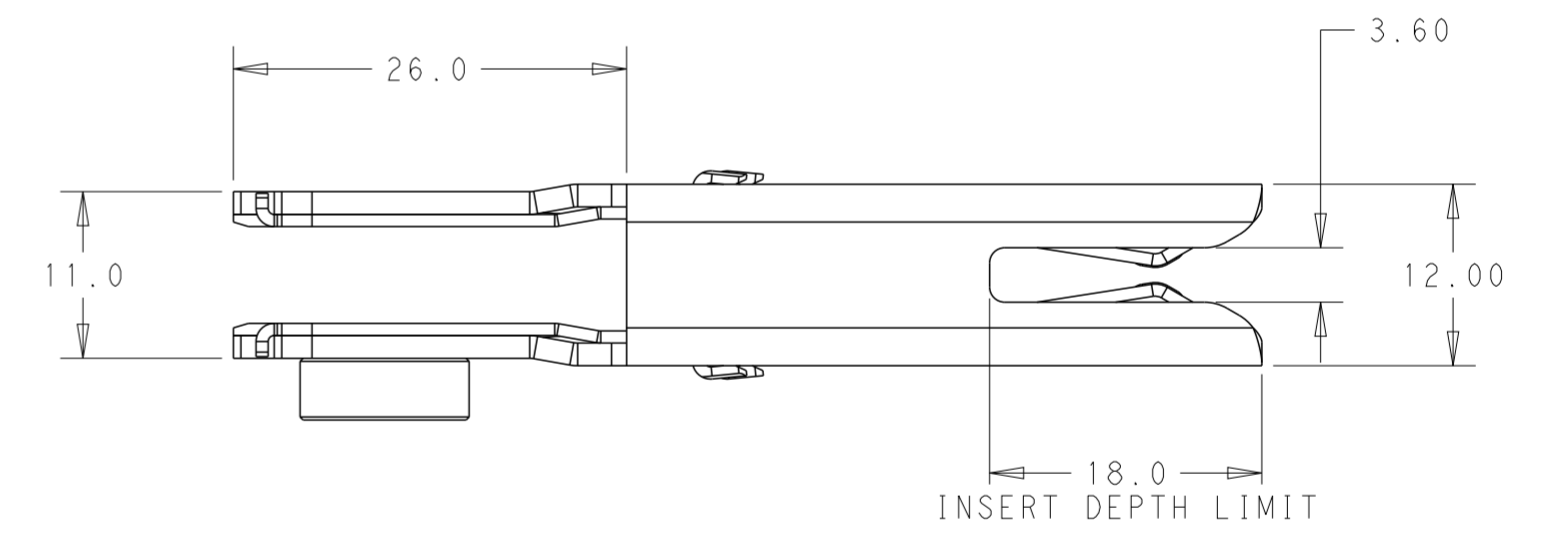
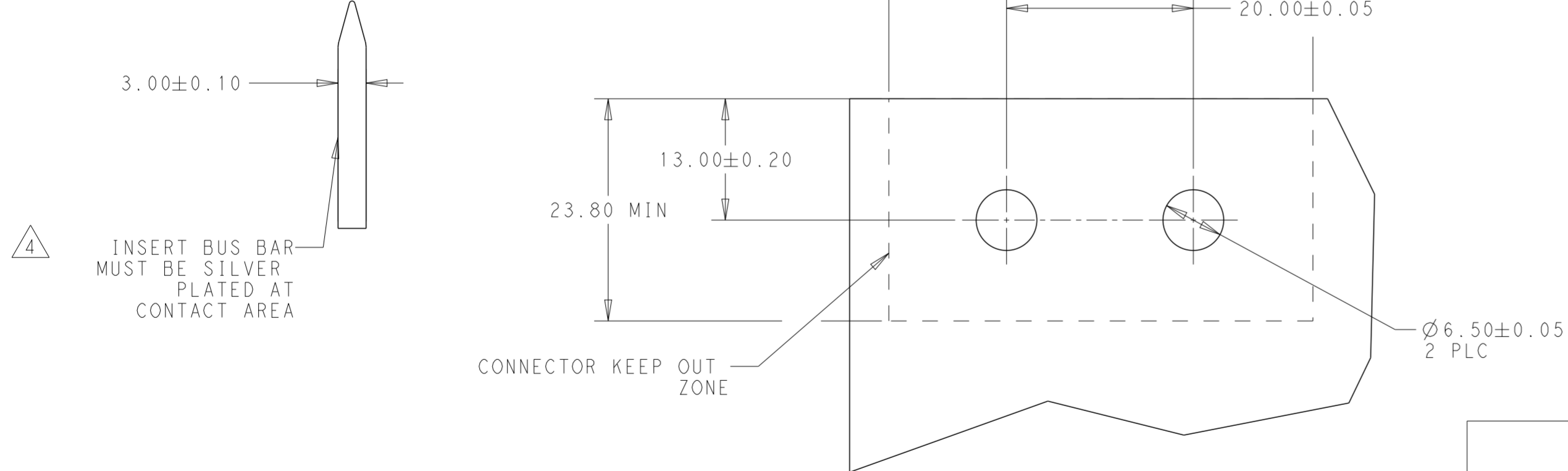
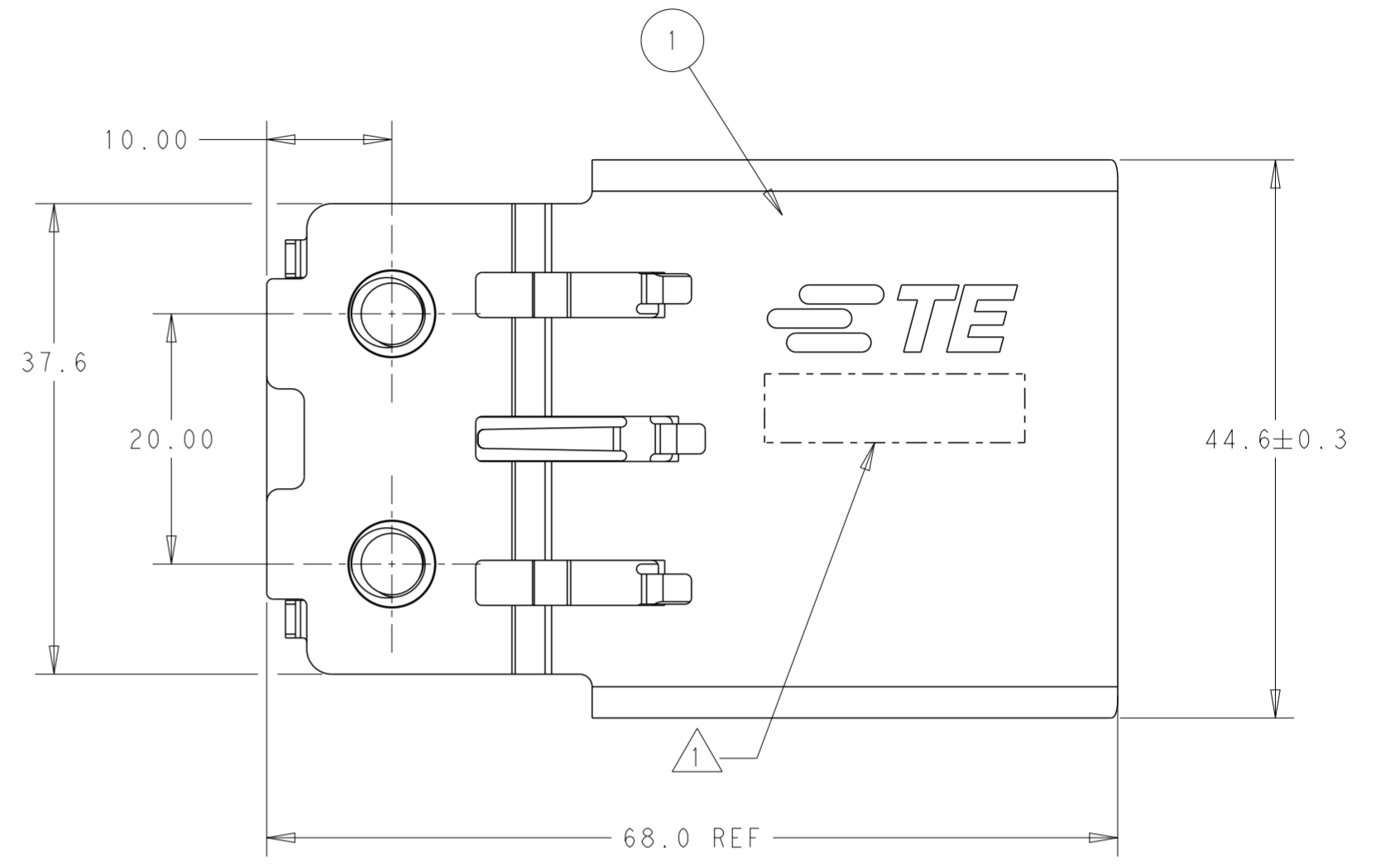
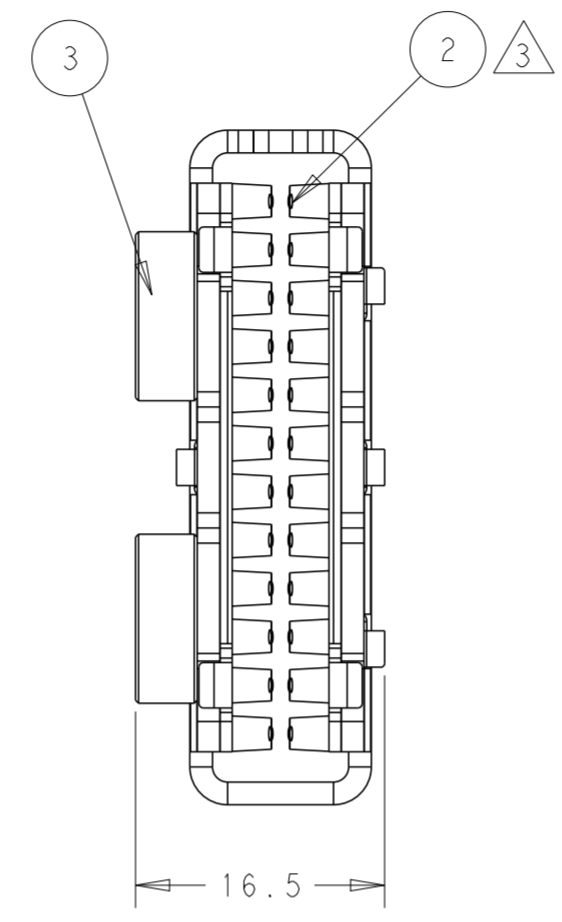
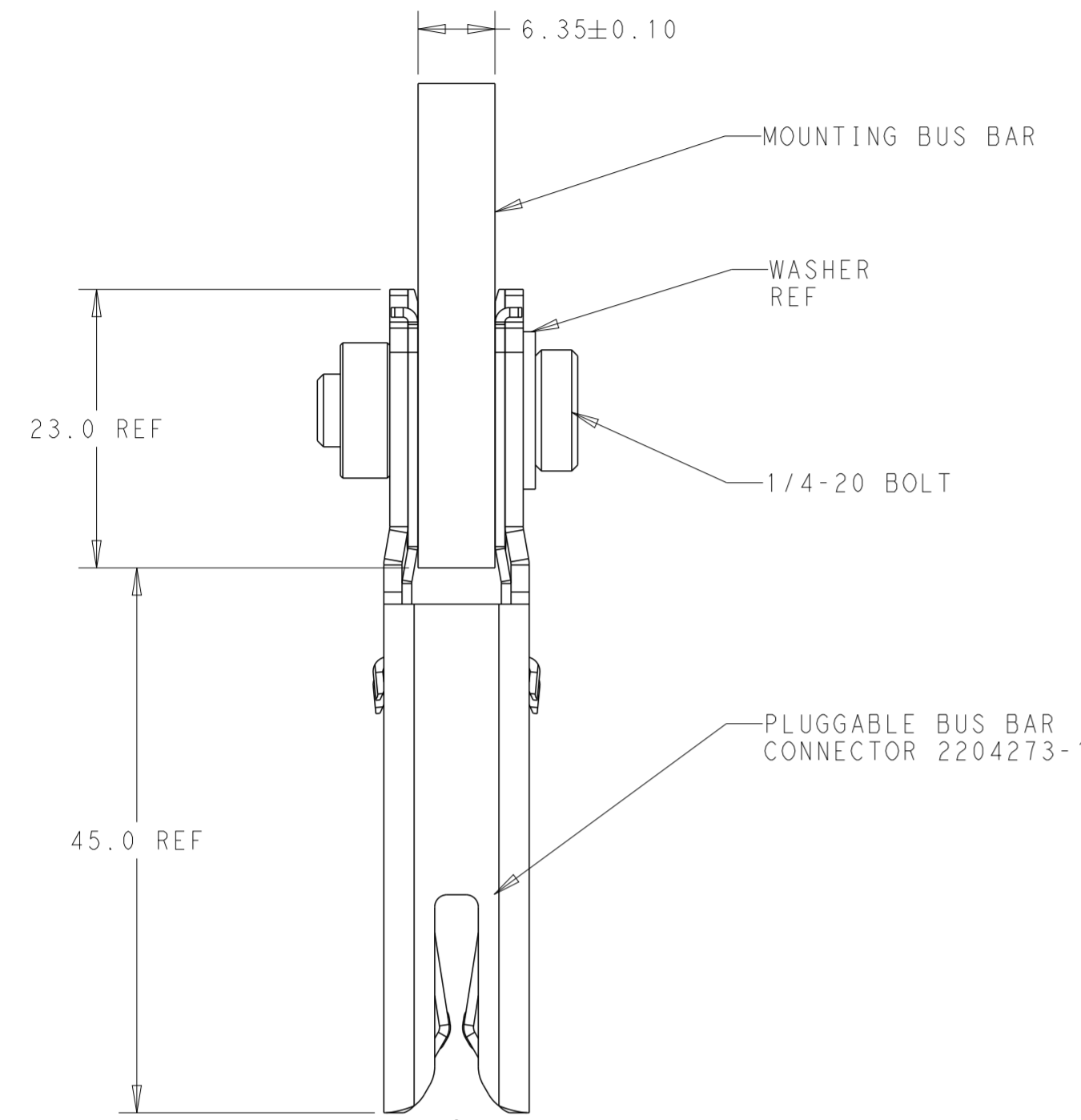


THIS DRAWING IS UNPUBLISHED. RELEASED FOR PUBLICATION 20
 © COPYRIGHT 20 BY - ALL RIGHTS RESERVED.

REVISIONS					
P	LTR	DESCRIPTION	DATE	DWN	APVD
A3		ADD TOLERANCE FOR HEIGHT DIM	22NOV2018	AL	SZ
A4		CORRECT A CLERICAL ERROR	13DEC2018	AL	SZ



RECOMMENDED MOUNTING BUS BAR LAYOUT

- NOTES:
- ① PART NUMBER AND DATACODE TO BE MARKED IN AREA SHOWN
 - ② MATERIAL: SHOWN IN BOM LIST
 - ③ CONTACT PLATING: SILVER PLATING ON CONTACT FUNCTIONAL AREA
 - ④ BUS BAR MUST BE SILVER PLATING ON CONTACT AREA

PART NUMBER	ITEMS	DESCRIPTION	MATERIAL	Q'TY	FINISH
2204273-1 ②	3	CLINCHING NUT 1/4-20 THREAD	STAINLESS STEEL	2	-
	2	CONTACT	COPPER ALLOY	2	SILVER
	1	OUTER HOUSING	STAINLESS STEEL	1	-

THIS DRAWING IS A CONTROLLED DOCUMENT.		DWN ANDY LI 17JUN2014	TE Connectivity PLUGGABLE BUS BAR CONNECTOR IN-LINE MOUNTING		
DIMENSIONS: mm		CHK SUNY ZHAO 17JUN2014			
TOLERANCES UNLESS OTHERWISE SPECIFIED:		APVD SUNY ZHAO 17JUN2014	NAME		
0 PLC ±		PRODUCT SPEC	108-128012		
1 PLC ±0.2		APPLICATION SPEC	114-2111		
2 PLC ±0.15		WEIGHT	97.28		
3 PLC ±0.10		CUSTOMER DRAWING	SCALE 2:1 SHEET 1 OF 1 REV A5		
4 PLC ±0.0001					
ANGLES ±1					
FINISH					