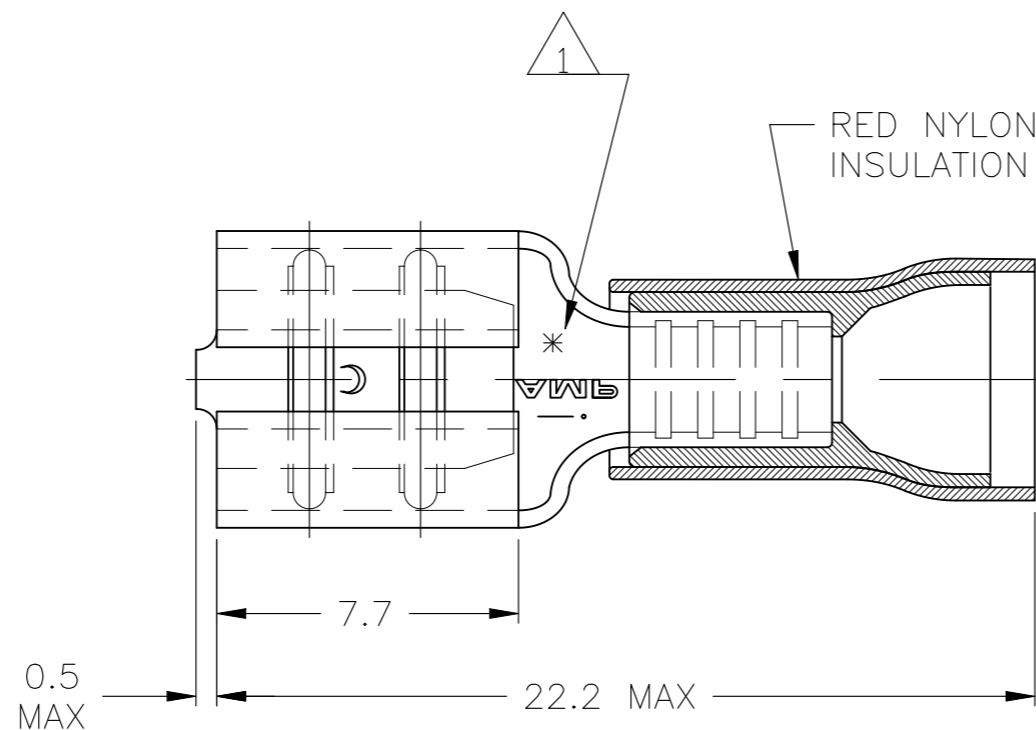
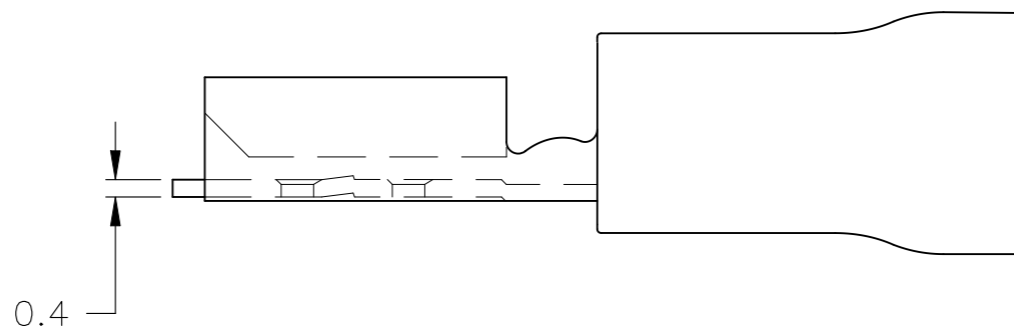
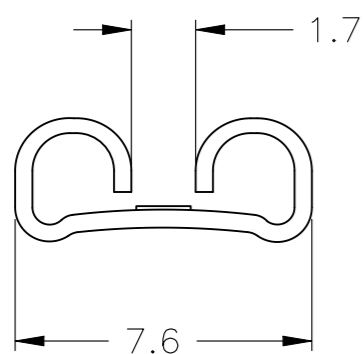


REVISIONS

P	LTR	DESCRIPTION	DATE	DWN	APVD
	L6	REVISED PER ECR-25-251256	17FEB2026	LP	MFP



- △ 1 ASTERISK * FOR PHOS BRONZE VERSION ONLY.
- 2 WIRE RANGE: 0,3-1,5mm²
- 3 INSULATION RANGE: 3,5mm MAX DIA.
- 4 MATING TAB THK IS 0,8
- △ 5 SUPERSEDED BY 9-160583-5
- △ 6 SUPERSEDED BY 9-160583-6
- △ 7 SUPERSEDED BY 5-160583-2
- △ 8 SUPERSEDED BY 5-160583-5
- △ 9 OBSOLETE PN



PACKAGE TYPE	FINISH	MATERIAL	PART NO.
TAPE MOUNTED	GOLD PLATED	△ 1 PHOS. BRONZE	5-160583-7 △ 8
	SILVER PLATED	△ 1 PHOS. BRONZE	5-160583-6 △ 8
	TIN PLATED	△ 1 PHOS. BRONZE	5-160583-5 △ 9
	GOLD PLATED	BRASS	5-160583-4 △ 7
	SILVER PLATED	BRASS	5-160583-3 △ 7
	TIN PLATED	BRASS	5-160583-2 △ 9
LOOSE PIECE	TIN-LEAD	△ 1 PHOS. BRONZE	9-160583-8 △ 5
	GOLD PLATED	△ 1 PHOS. BRONZE	9-160583-7 △ 6
	SILVER PLATED	△ 1 PHOS. BRONZE	9-160583-6
	TIN PLATED	△ 1 PHOS. BRONZE	9-160583-5
	GOLD PLATED	BRASS	9-160583-4 △ 6
	SILVER PLATED	BRASS	9-160583-3 △ 6
TIN PLATED	BRASS	9-160583-2	

THIS DRAWING IS A CONTROLLED DOCUMENT.

DWN	JR RUTH	25AUG2004	STE TE Connectivity		
CHK	T MICHIELUTTI	25AUG04			
APVD	T MICHIELUTTI	25AUG04			
PRODUCT SPEC	NAME				
APPLICATION SPEC			RECEPTACLE, FASTON, P.I.D.G., .250 SERIES		
WEIGHT	-	SIZE	CAGE CODE	DRAWING NO	RESTRICTED TO
MATERIAL		A3 00779		C=160583	-
FINISH		CUSTOMER DRAWING		SCALE	SHEET
-		-		4:1	1 OF 1
				REV	L6