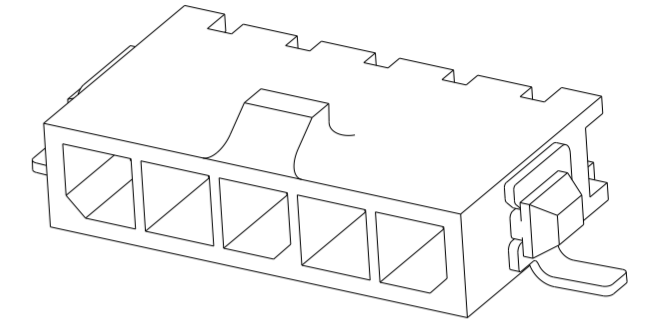
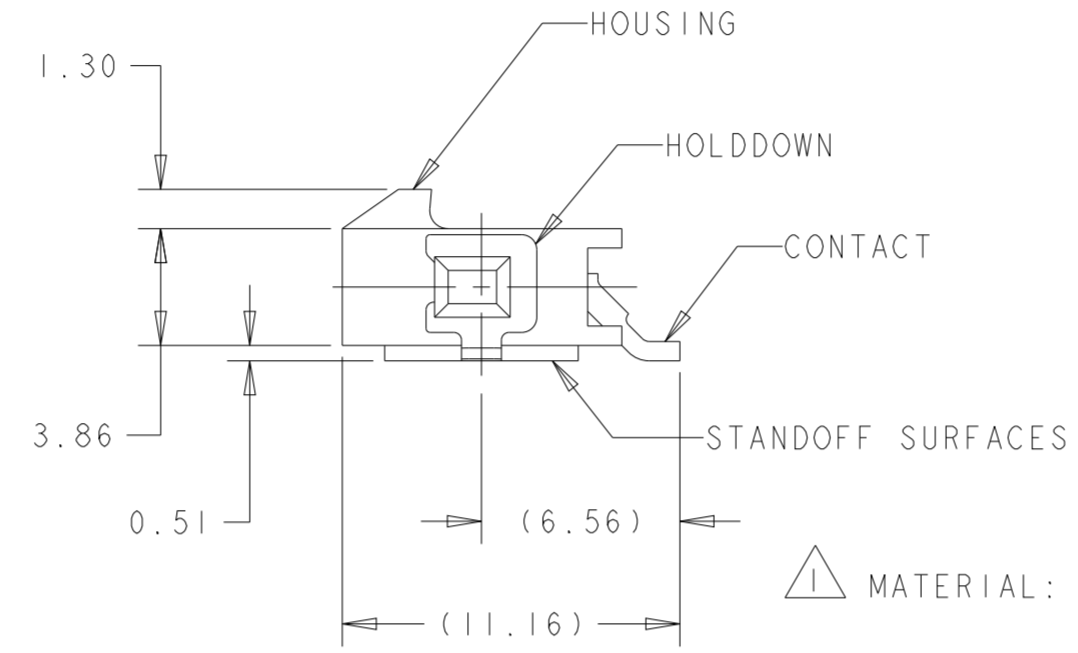
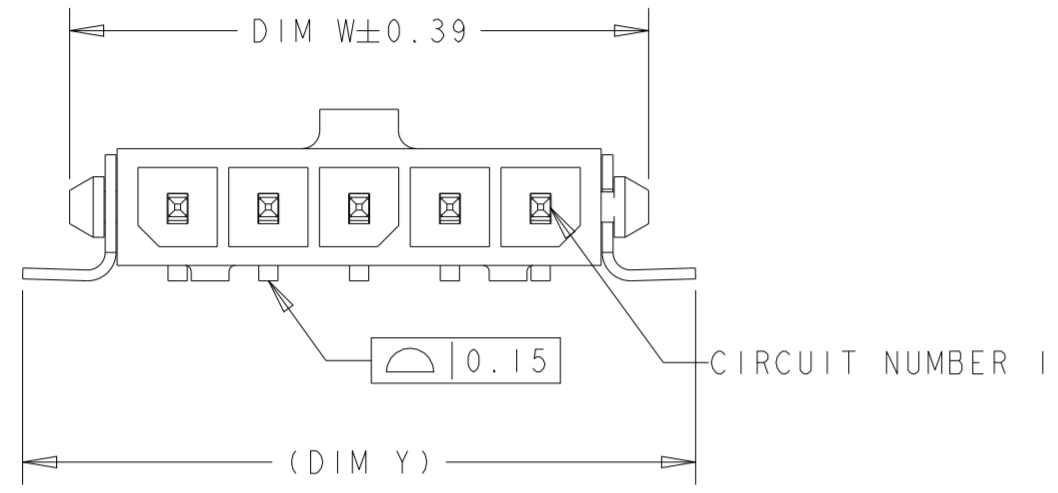
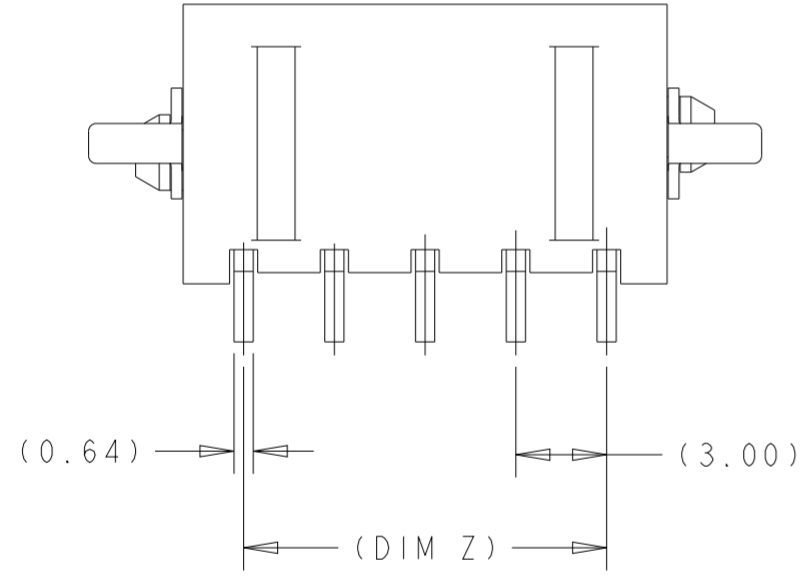


THIS DRAWING IS UNPUBLISHED. RELEASED FOR PUBLICATION 2009  
 © COPYRIGHT 2009 BY - ALL RIGHTS RESERVED.

REVISIONS					
P	LTR	DESCRIPTION	DATE	DWN	APVD
C6		REVISED PER ECN-23-242776	15DEC2023	WLS	VS
C7		REVISED PER ECN-24-256662	15MAR2024	WLS	VS
D		REVISED PER ECN-25-316179	15MAY2025	WLS	JP



- 1 MATERIAL: HOUSING - UL 94V-0 RATED HIGH TEMP NYLON, COLOR BLACK.  
CONTACTS - BRASS.  
HOLDDOWNS - PHOSPHOR BRONZE.
- 2 RECOMMENDED PC BOARD THICKNESS OF 1.57.
- 3 PLATING: CONTACTS - 0.76µm MINIMUM GOLD,  
OR  
0.0762µm MINIMUM GOLD FLASH OVER 0.69µm MINIMUM PALLADIUM NICKEL,  
ON MATING AREA PER TE CONNECTIVITY'S DISCRETION,  
2.54µm MINIMUM MATTE TIN ON SOLDER TAILS,  
ALL OVER 1.27µm MINIMUM NICKEL.  
HOLDDOWNS - 2.54µm MINIMUM MATTE TIN OVER 1.27µm MINIMUM NICKEL.
- 4 COUNTERPART RECOMMENDED IS PN 1445022 OR 2008571 (DASH ACC. TO NUMBER OF POSITION).
- 5 FOR REELING DIRECTION AND PACKAGING TYPE, SEE SPECIFICATION 114-13000.
- 6 PACKAGE REVERSE TAPED.
- 7 ALL SOLDER TAILS, STANDOFFS AND BOARDLOCKS.



OBSOLETE	19.25	13.00	9.00	16.27	16.00	4	6-1445100-4
OBSOLETE	43.25	37.00	33.00	40.27	40.00	12	3-1445100-2
OBSOLETE	40.25	34.00	30.00	37.27	37.00	11	3-1445100-1
	37.25	31.00	27.00	34.27	34.00	10	3-1445100-0
OBSOLETE	34.25	28.00	24.00	31.27	31.00	9	2-1445100-9
	31.25	25.00	21.00	28.27	28.00	8	2-1445100-8
OBSOLETE	28.25	22.00	18.00	25.27	25.00	7	2-1445100-7
	25.25	19.00	15.00	22.27	22.00	6	2-1445100-6
	22.25	16.00	12.00	19.27	19.00	5	2-1445100-5
	19.25	13.00	9.00	16.27	16.00	4	2-1445100-4
	16.25	10.00	6.00	13.27	13.00	3	2-1445100-3
	13.25	7.00	3.00	10.27	10.00	2	2-1445100-2
	DIM Y	DIM X	DIM Z	DIM V	DIM W	NO. OF POSN	PART NUMBER

THIS DRAWING IS A CONTROLLED DOCUMENT. DWN J.ROOT 09OCT2000  
 CHK K.WHITAKER 17-APR-2001  
 APVD C.JONES 17-APR-2001

**STE** TE Connectivity

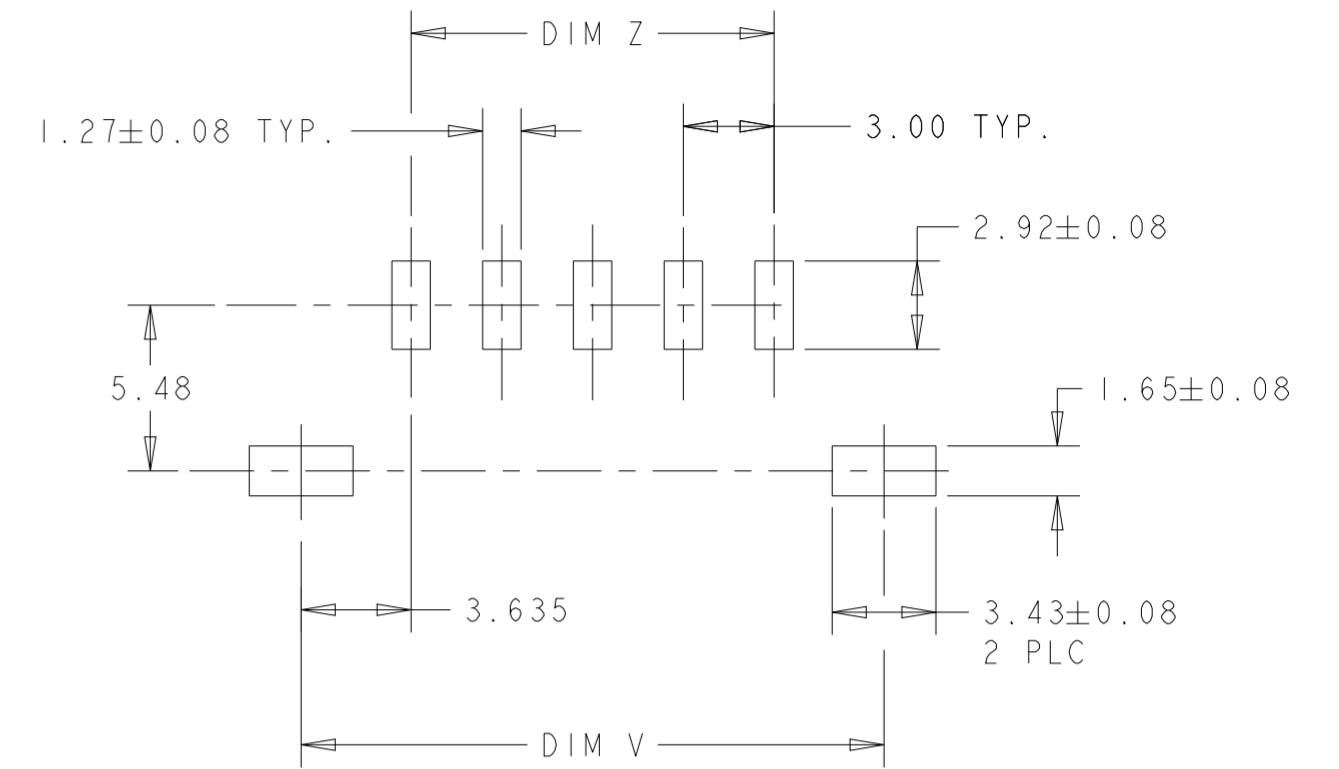
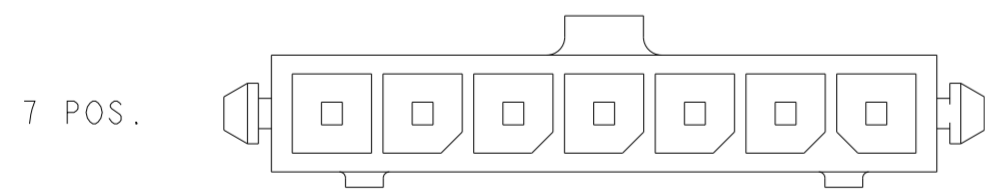
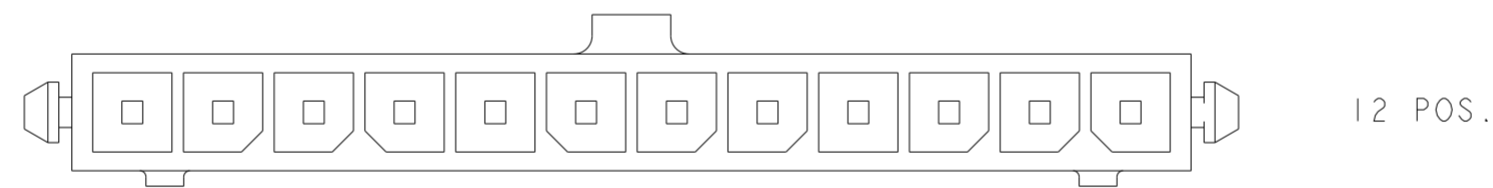
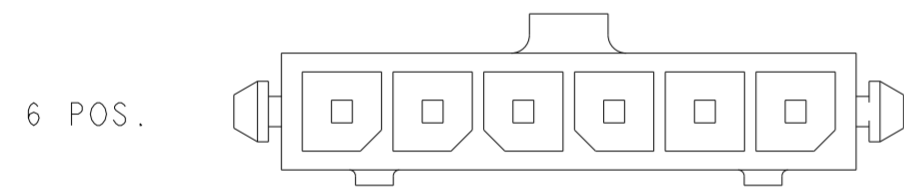
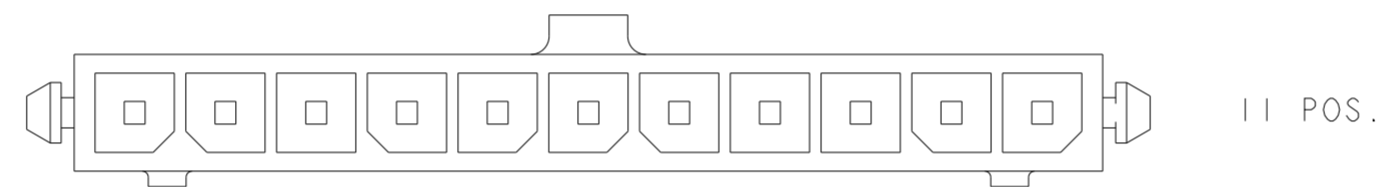
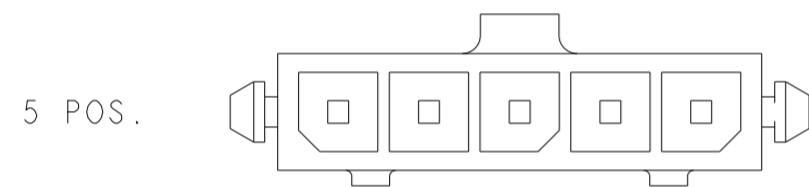
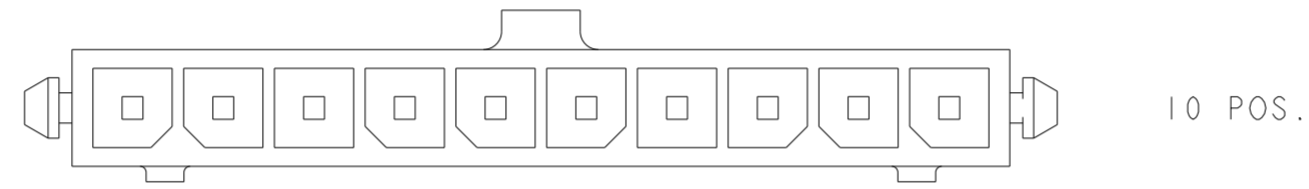
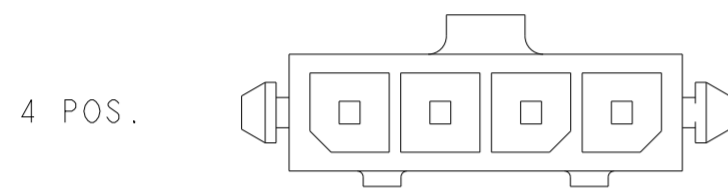
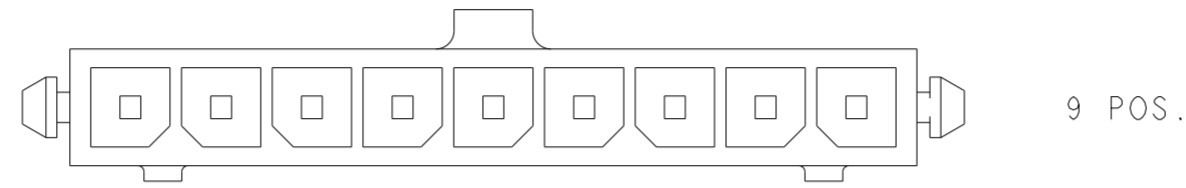
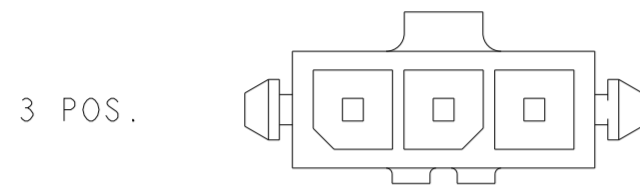
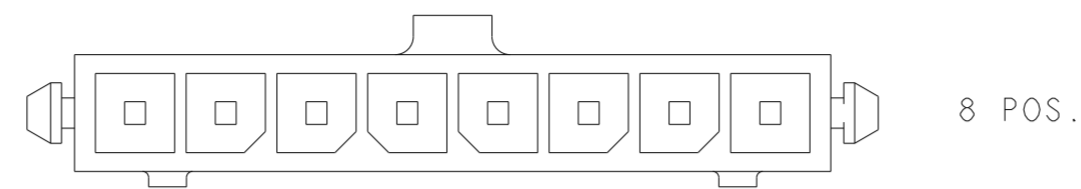
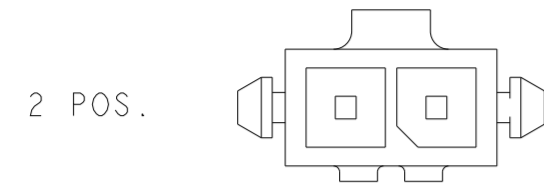
DIMENSIONS: mm TOLERANCES UNLESS OTHERWISE SPECIFIED:  
 0 PLC ±  
 1 PLC ±  
 2 PLC ±0.20  
 3 PLC ±  
 4 PLC ±  
 ANGLES ±1°  
 FINISH

PRODUCT SPEC 108-1836  
 APPLICATION SPEC 114-13000  
 WEIGHT -

NAME RIGHT ANGLE SURFACE MNT HEADER ASSY, 0.76Au or 0.69PdNi CNTC, W/SURF MOUNT HOLDDOWNS, SGL ROW, MICRO MATE-N-LOK™  
 SIZE A2 CAGE CODE 00779 DRAWING NO. C-1445100 RESTRICTED TO -  
 CUSTOMER DRAWING SCALE 4:1 SHEET 1 OF 2 REV D

THIS DRAWING IS UNPUBLISHED. RELEASED FOR PUBLICATION 2009  
 © COPYRIGHT 2009 BY - ALL RIGHTS RESERVED.

REVISIONS				
P	LTR	DESCRIPTION	DATE	APVD
-	-	SEE SHEET 1	-	-



PCB LAYOUT COMPONENT SIDE

KEYING BY POSITION SIZE

THIS DRAWING IS A CONTROLLED DOCUMENT.		DWN J. ROOT 09OCT2000	TE Connectivity		
DIMENSIONS: mm		CHK K. WHITAKER 17-APR-2001			
TOLERANCES UNLESS OTHERWISE SPECIFIED:		APVD C. JONES 17-APR-2001	NAME RIGHT ANGLE SURFACE MNT HEADER ASSY, 0.76Au or 0.69PdNi CNTC, W/SURF MOUNT HOLDDOWNS, SGL ROW, MICRO MATE-N-LOK		
0 PLC ± 1 PLC ± 2 PLC ±0.20 3 PLC ± 4 PLC ±		PRODUCT SPEC 108-1836	SIZE A2	CAGE CODE 00779	DRAWING NO C-1445100
MATERIAL		APPLICATION SPEC 114-13000	RESTRICTED TO -	SCALE 4:1	
FINISH		WEIGHT -	SHEET 2 OF 2		REV D
CUSTOMER DRAWING		REVISIONS			