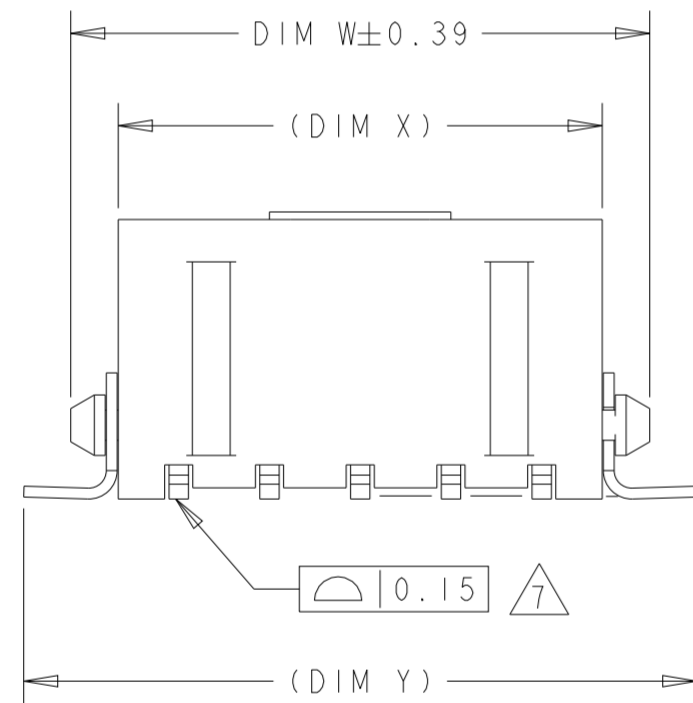
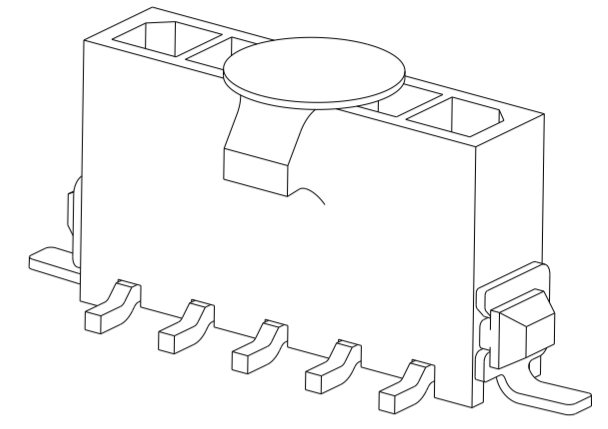
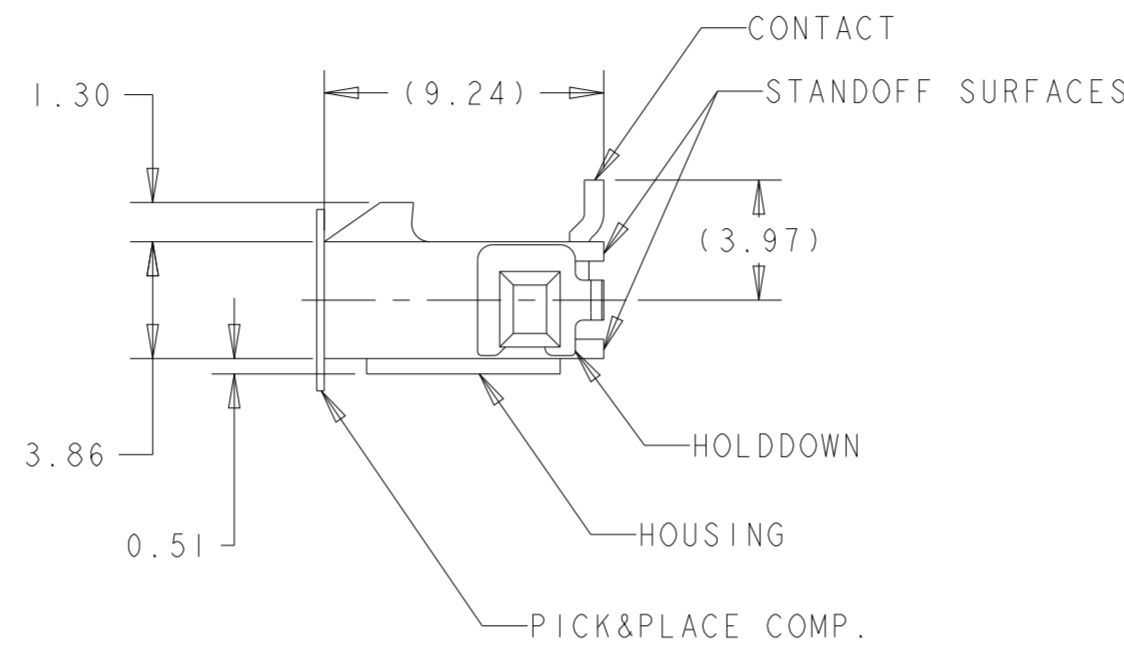
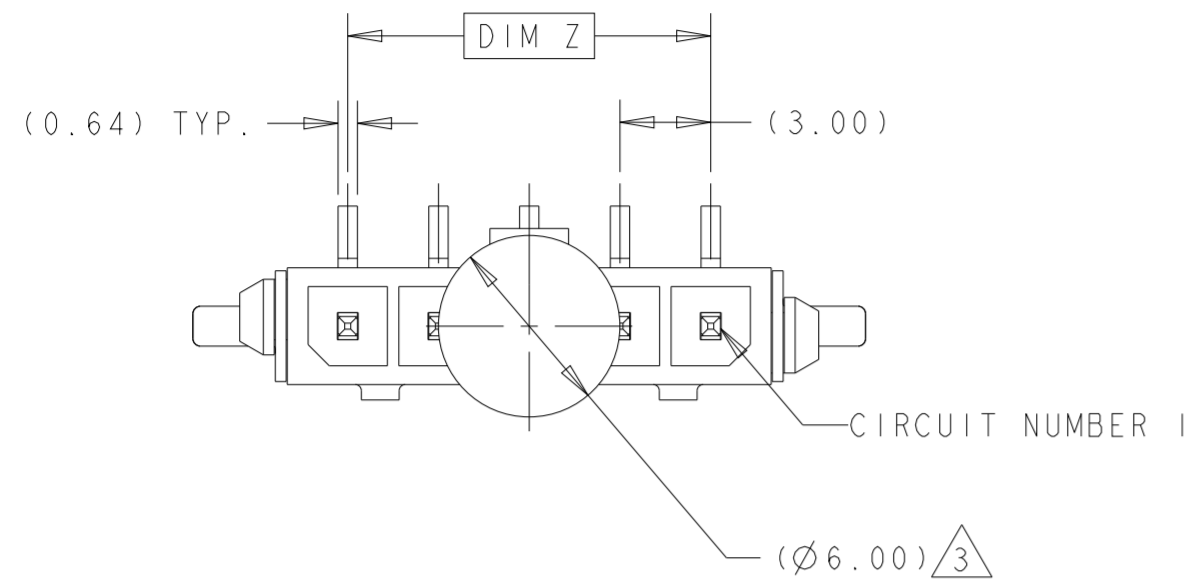


THIS DRAWING IS UNPUBLISHED. RELEASED FOR PUBLICATION 20
 © COPYRIGHT 20 BY - ALL RIGHTS RESERVED.

REVISIONS					
P	LTR	DESCRIPTION	DATE	DWN	APVD
C6		REVISED PER ECN-24-256662	15MAR2024	WLS	VS
D		REVISED PER ECN-25-316179	25APR2025	WLS	JP



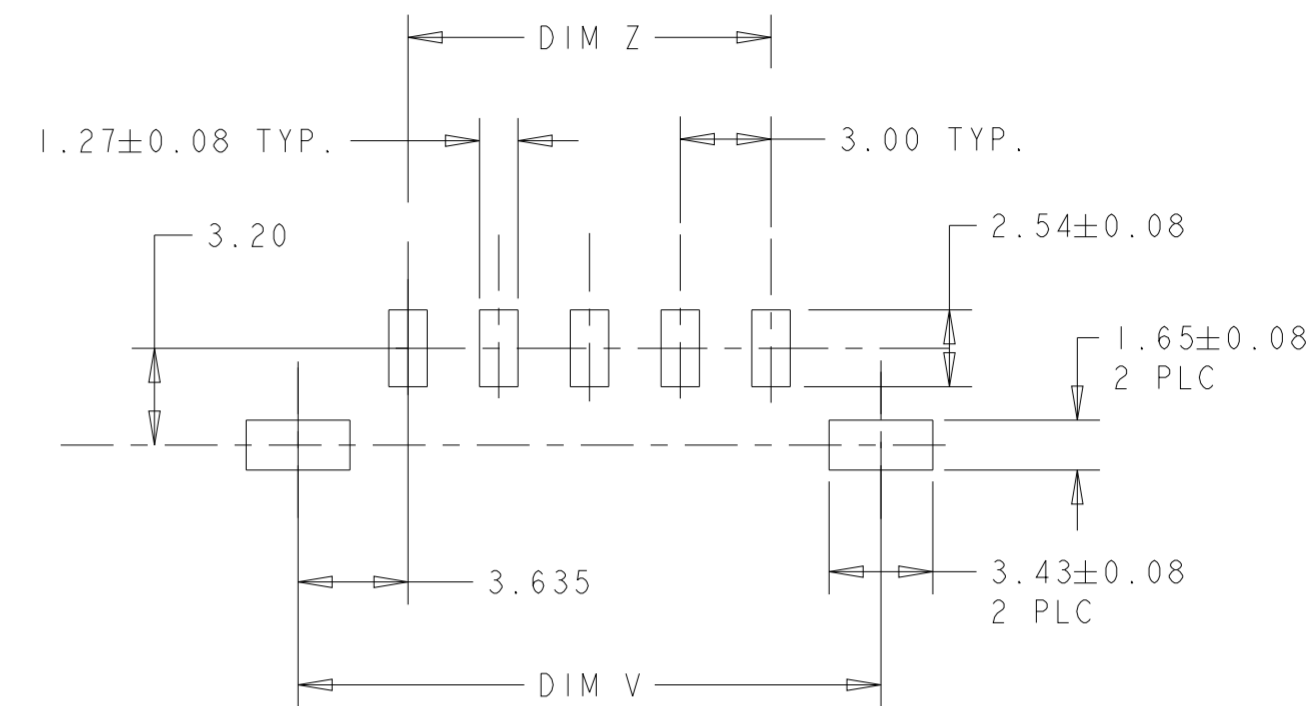
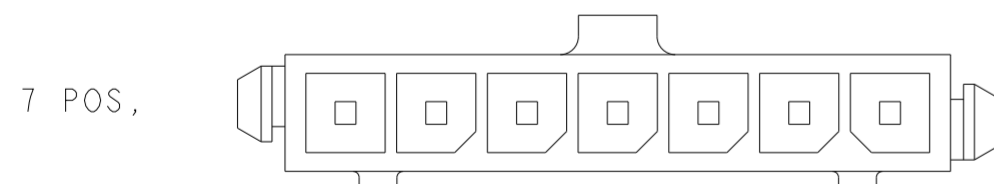
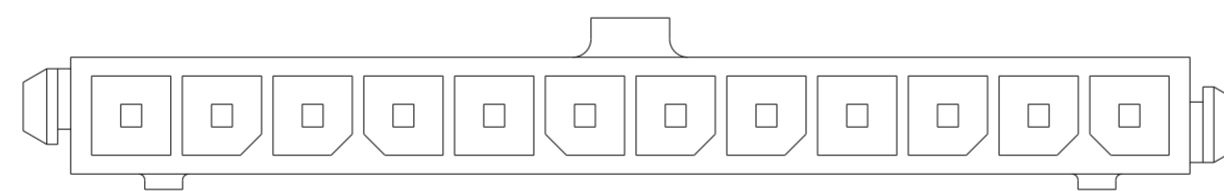
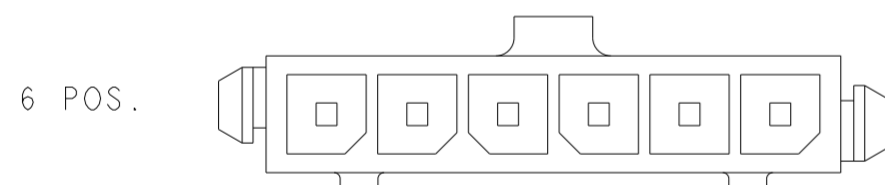
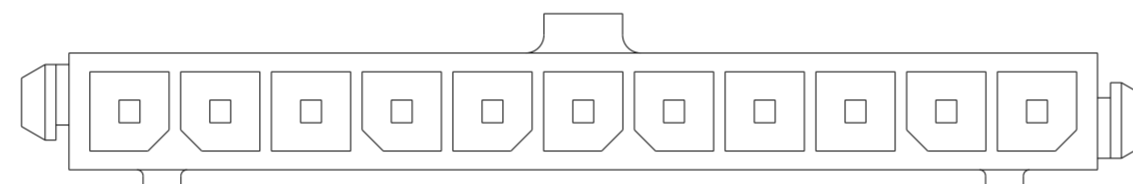
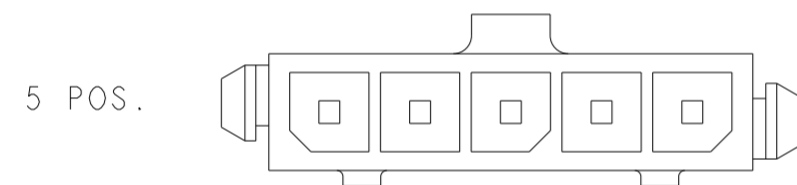
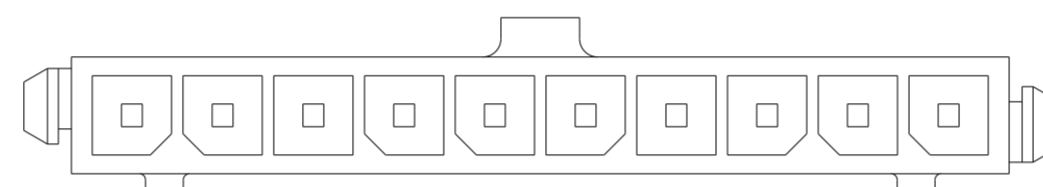
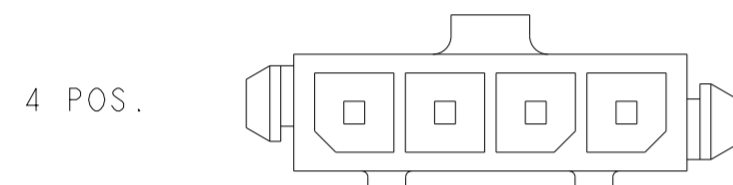
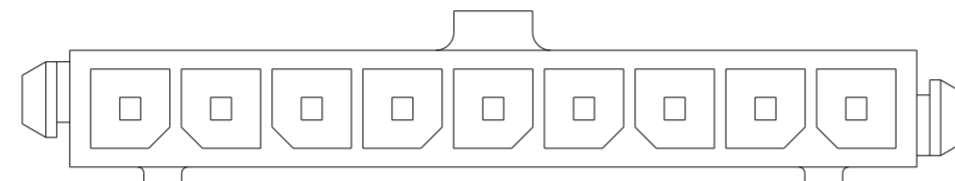
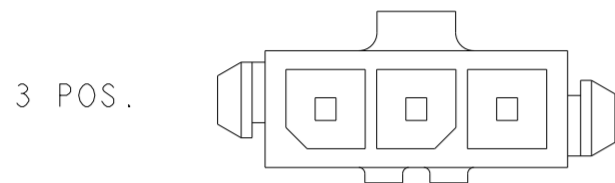
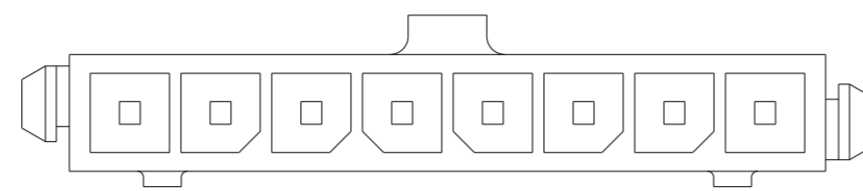
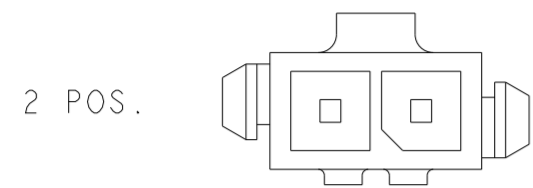
- ① MATERIAL: HOUSING - UL 94V-0 RATED HIGH TEMP NYLON, COLOR BLACK.
CONTACTS - BRASS
HOLDDOWNS: - PHOSPHOR BRONZE.
- ② RECOMMENDED PC BOARD THICKNESS OF 1.57.
- ③ KAPTON VACUUM PICK UP BUTTON.
- ④ PLATING: CONTACTS - 2.54µm MINIMUM MATTE TIN OVER 1.27µm MINIMUM NICKEL.
HOLDDOWNS - 2.54µm MINIMUM MATTE TIN OVER 1.27µm MINIMUM NICKEL.
- 5 COUNTERPART RECOMMENDED IS PN 1445022 OR 2008571 (DASH ACC. TO NUMBER OF POSITION).
- 6 FOR REELING DIRECTION AND PACKAGING TYPE, SEE SPECIFICATION 114-13000.
- ⑦ ALL SOLDER TAILS, STANDOFFS AND BOARDLOCKS.

OBSOLETE	-43.25	37.00	33.00	40.27	40.00	12	3-1445053-2
OBSOLETE	-40.25	34.00	30.00	37.27	37.00	11	3-1445053-1
OBSOLETE	-37.25	31.00	27.00	34.27	34.00	10	3-1445053-0
OBSOLETE	-34.25	28.00	24.00	31.27	31.00	9	2-1445053-9
	31.25	25.00	21.00	28.27	28.00	8	2-1445053-8
	28.25	22.00	18.00	25.27	25.00	7	2-1445053-7
	25.25	19.00	15.00	22.27	22.00	6	2-1445053-6
	22.25	16.00	12.00	19.27	19.00	5	2-1445053-5
	19.25	13.00	9.00	16.27	16.00	4	2-1445053-4
	16.25	10.00	6.00	13.27	13.00	3	2-1445053-3
	13.25	7.00	3.00	10.27	10.00	2	2-1445053-2
	DIM Y	DIM X	DIM Z	DIM V	DIM W	NO. OF POSN	PART NUMBER

THIS DRAWING IS A CONTROLLED DOCUMENT.		DWN J. ROOT 07OCT2000	STE TE Connectivity	
DIMENSIONS: mm		CHK K. WHITAKER 20-FEB-2001		
TOLERANCES UNLESS OTHERWISE SPECIFIED:		APVD C. JONES 20-FEB-2001	NAME VERTICAL SURFACE MOUNT HEADER ASSY, TIN CONTACTS, SURF MOUNT HOLDDOWNS, SINGLE ROW, MICRO MATE-N-LOK™	
0 PLC ± 1 PLC ± 2 PLC ±0.20 3 PLC ± 4 PLC ± ANGLES ±1° FINISH		PRODUCT SPEC 108-1836	SIZE 114-13000	RESTRICTED TO
MATERIAL ①		WEIGHT -	SCALE A2 00779 C-1445053	REV D
		CUSTOMER DRAWING		SCALE 4:1 SHEET 1 OF 2

THIS DRAWING IS UNPUBLISHED. RELEASED FOR PUBLICATION 20
 © COPYRIGHT 20 BY - ALL RIGHTS RESERVED.

REVISIONS				
P	LTR	DESCRIPTION	DATE	APVD
-	-	SEE SHEET 1	-	-



PCB LAYOUT COMPONENT SIDE

KEYING BY POSITION SIZE

THIS DRAWING IS A CONTROLLED DOCUMENT.		DWN J. ROOT 20-OCT-2000	TE Connectivity			
DIMENSIONS: mm		CHK K. WHITAKER 20-FEB-2001				
TOLERANCES UNLESS OTHERWISE SPECIFIED:		APVD C. JONES 20-FEB-2001	NAME VERTICAL SURFACE MOUNT HEADER ASSY, TIN CONTACTS, SURF MOUNT HOLDDOWNS, SINGLE ROW, MICRO MATE-N-LOK			
 0 PLC ± 1 PLC ± 2 PLC ±0.20 3 PLC ± 4 PLC ± ANGLES ±° FINISH		PRODUCT SPEC 108-1836	SIZE A2	CAGE CODE 00779	DRAWING NO C-1445053	RESTRICTED TO -
MATERIAL -		APPLICATION SPEC 114-13000	SCALE 4:1		SHEET 2 OF 2	REV D
-		WEIGHT -	CUSTOMER DRAWING			