

4

3

2

1

THIS DRAWING IS UNPUBLISHED.
DIFFUSION RESTREINTE AMPRELEASED FOR PUBLICATION
LIBRE A LA DIFFUSION

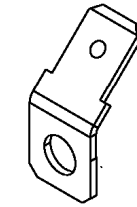
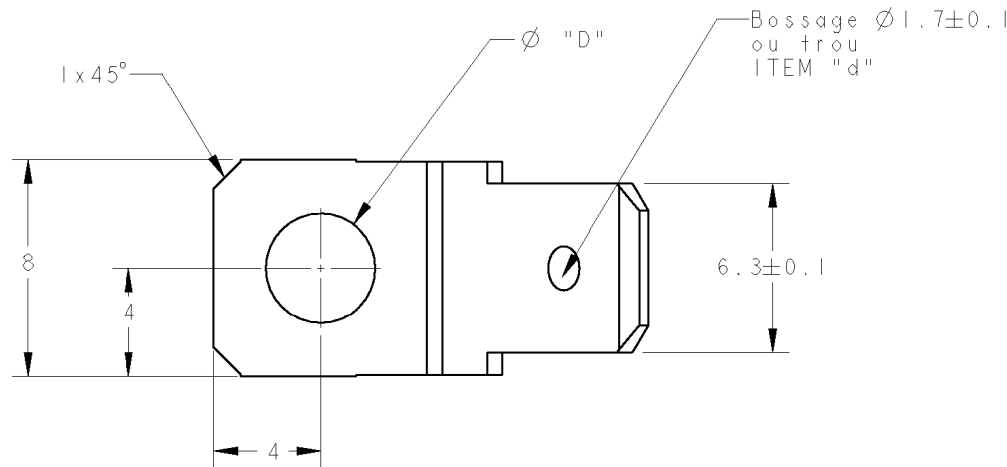
20

© COPYRIGHT BY

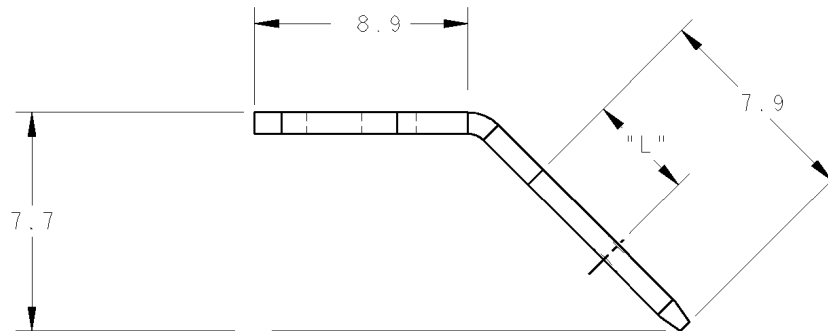
ALL RIGHTS RESERVED.
TOUS DROITS RESERVESLOC
FDIST
7

REVISIONS


P	LTR REV	DESCRIPTION MODIFICATIONS	DATE	DWN DESS.	APVD APP.
	S	REVISED PER ECR-23-166591	22FEB23	DB	RE
	S1	REVISED PER ECR-25-263191	24NOV25	MS	RE



ECHELLE 2:1



141158-1	dore	4.1	3	bossage
141036-1	brut	3.4	5.2	trou
140829-2	etame	3.4	3	trou
140829-1	brut	3.4	3	trou
140814-2	etame	3.4	4.1	trou
140814-1	brut	3.4	4.1	trou
140856-2	etame	4.1	3.7	bossage
140856-1	brut	4.1	3.7	bossage
140759-0	etame	4.1	5.2	bossage
140665-0	brut	4.1	5.2	bossage
140660-0	etame	4.1	3	bossage
140659-0	brut	4.1	3	bossage
140598-0	etame	4.1	4.1	bossage
140597-0	brut	4.1	4.1	bossage
Reference	Finition	"L"	"D"	"d"

DIMENSIONS: mm		TOLERANCES UNLESS OTHERWISE SPECIFIED: TOLERANCES NON SPECIFIEES (SUIV NB DE DECIMALES): 0 PLC/DEC: ± 1 PLC/DEC: ±0.2 2 PLC/DEC: ± 3 PLC/DEC: ± 4 PLC/DEC: ± ANGLES: ±30'		DWN/DESSINE O. LEMPEREUR 30MARS98		 TE Connectivity	
MATERIAL/MATIERE LAITON		FINISH/FINITION Voir tableau		CHR/VERTIFIE G. ROBERT			
APVD/APPROUVE Y PETRONIN		PRODUCT SPEC SPEC. PRODUIT		APPLICATION SPEC SPEC. APPLICATION		SIZE FORMAT A3	
WEIGHT MASSE APPROX.		CUSTOMER DRAWING /PLAN CLIENT		UNIQUEMENT POUR REFERENCE		DRAWING NO No PLAN C=140597	
				SCALE ECHELLE 5:		SHEET FEUILLE	
						OF DE	
						REV S1	