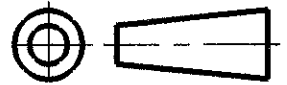


DO NOT SCALE

DIMENSIONS IN mm

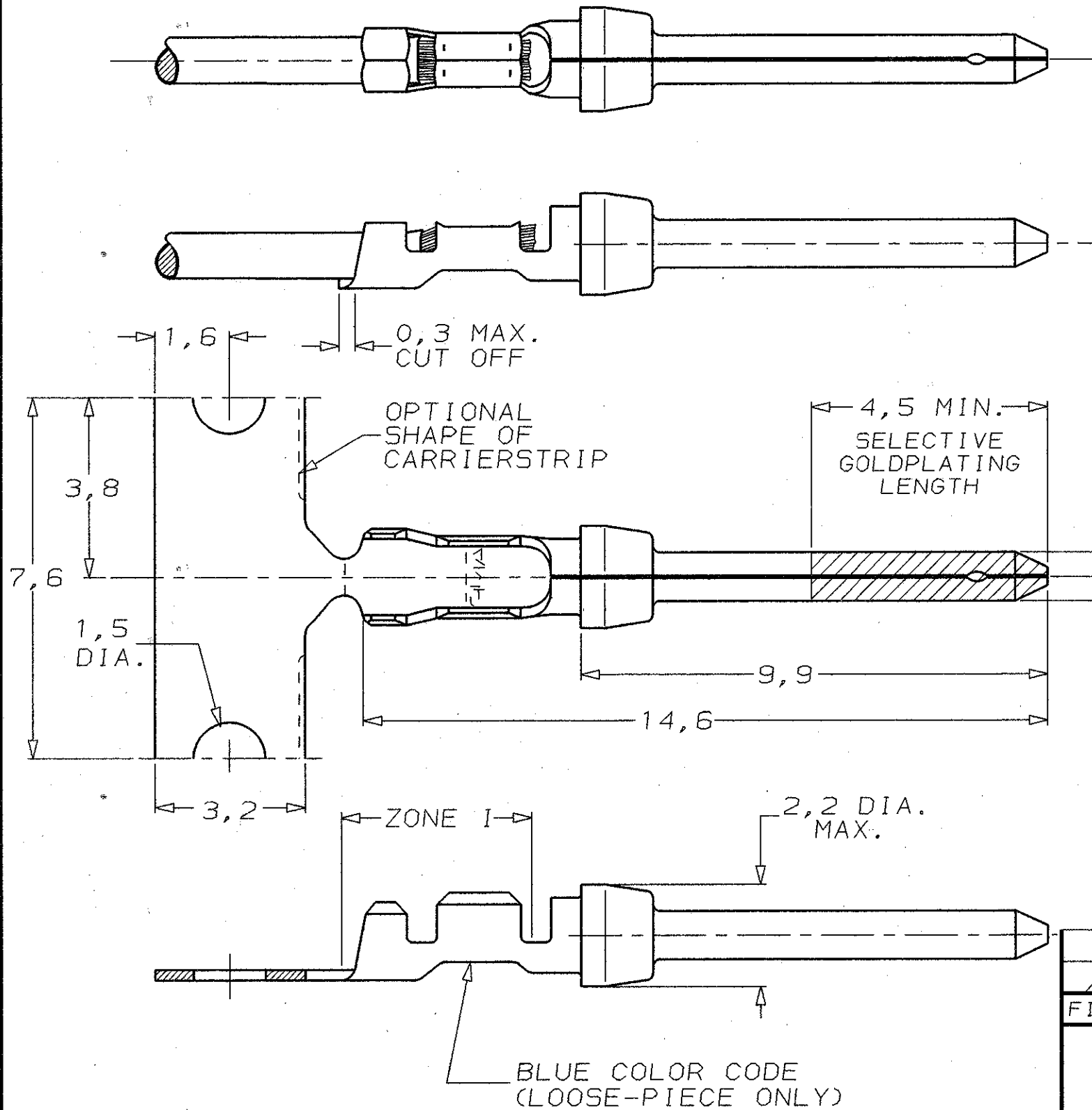
METRIC

THIRD ANGLE
PROJECTION



NOTES:

- 1 FOR MINI-APPLICATOR CRIMPING.
- 2 FOR STANDARD-APPLICATOR CRIMPING.
- 3 FOR REEL-FEED HANDTOOL CRIMPING, 500 CONTACTS ON A SMALL REEL.
- 4. MATERIAL: BRASS.
- 5 UNDERCOATING: 1,3 μm Ni
SELECTIVE : 0,8 μm Au
ZONE I : BRIGHT TIN-LEAD



PRELIMINARY

5	-	-	215862-3	215862-1
FINISH	LOOSE-PIECE	PARTNUMBER	PARTNUMBER	PARTNUMBER
CUSTOMER DRAWING		AMP AMP-HOLLAND B.V. 's-Hertogenbosch, The Netherlands.		
FOR REFERENCE ONLY WILL NOT BE UPDATED		THIS DRAWING IS UNPUBLISHED RELEASED FOR PUBLICATION, 1987 © COPYRIGHT 1987 BY AMP-HOLLAND B.V. ALL INTERNATIONAL RIGHTS RESERVED. AMP PRODUCTS MAY BE COVERED BY U.S. AND FOREIGN PATENTS AND/OR PATENTS PENDING.		
DR. B. MOOIJ.	DATE 15-10-87	WIRE RANGE 24-28 AWG (0,08-0,22 mm ²)	NAME PIN CONTACT, SIZE 20-DF.	REV. DATE D M Y 06 11 87
CHK. C. v. TILBURG.	DATE 21-10-87	INSUL. RANGE 0,76-1,02 DIA.		
APP. L. v. SOEST.	DATE 26-10-87	SIZE A3	SHEET 1 OF 1	REV. LTR. A
		DWG. No.	C-215862	

8 7 6 5 4 3 2 1