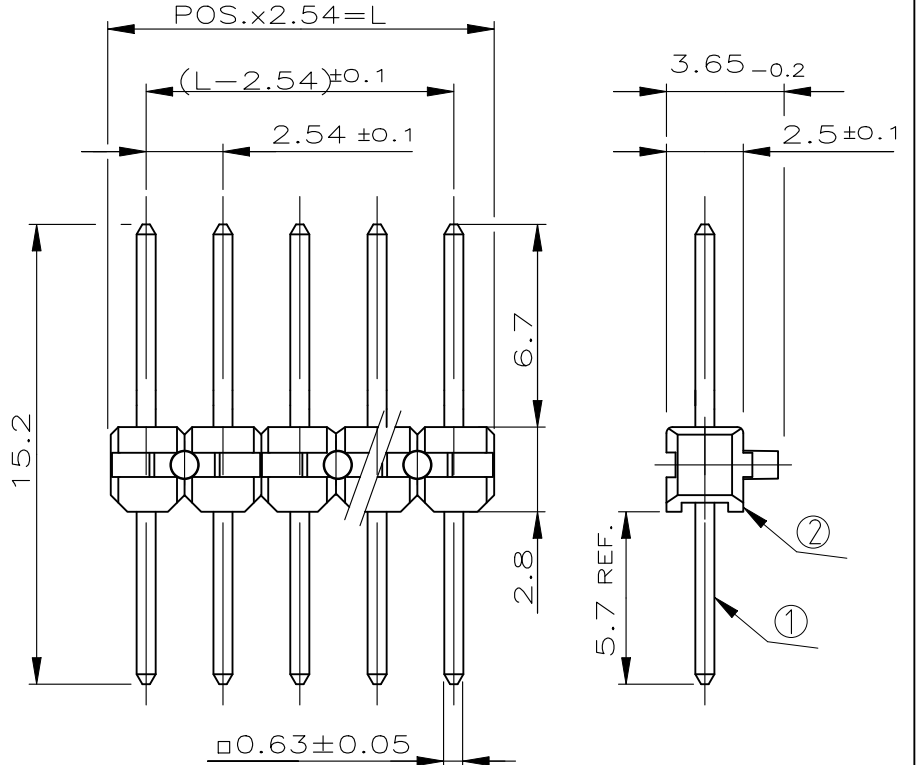


REVISIONS					
P	LTR	DESCRIPTION	DATE	DWN	APVD
	F2	PART OBSOLESCENCE	25JUN2024	RS	VG

POS.	L±0.5	PART NUMBER
1	2.54	827312 -1
2	5.08	827312 -2
3	7.62	-3
4	10.16	-4
5	12.70	-5
6	15.24	-6
7	17.78	-7
8	20.32	-8
9	22.86	-9
10	25.40	-1 -0
11	27.94	-1 -1
12	30.48	-1 -2
13	33.02	-1 -3
14	35.56	-1 -4
15	38.10	-1 -5
16	40.64	-1 -6
17	43.18	-1 -7
18	45.72	-1 -8
19	48.26	-1 -9
20	50.80	-2 -0
21	53.34	-2 -1
22	55.88	-2 -2
23	58.42	-2 -3
24	60.96	-2 -4
25	63.50	-2 -5
26	66.04	-2 -6
27	68.58	-2 -7
28	71.12	-2 -8
29	73.66	-2 -9
30	76.20	-3 -0
31	78.74	-3 -1
32	81.28	-3 -2
33	83.82	-3 -3
34	86.36	-3 -4
35	88.90	-3 -5
36	91.44	-3 -6
37	93.98	-3 -7
38	96.52	-3 -8
39	99.06	-3 -9
40	101.60	-4 -0
41	104.14	-4 -1
42	106.68	-4 -2
43	109.22	-4 -3
44	111.76	-4 -4
45	114.30	-4 -5
46	116.84	-4 -6
47	119.38	-4 -7
48	121.92	-4 -8
49	124.46	-4 -9
50	127.00	-5 827312 -0



NOTES:

- MIN. 3µm TIN OVER 1.27µm NICKEL
- OBSOLETE

PIN HOUSING	PCT	BLACK	2
CONTACT PIN	CuZn		1
DESCRIPTION	MATERIAL	COLOR/FINISH	ITEM NUM

TE Connectivity. All Rights Reserved.



DIMENSIONS: mm	DWN	13.02.79	MATERIAL	-	FINISH	-
	CHK	16.02.79	TE Connectivity			
TOLERANCES UNLESS OTHERWISE SPECIFIED: ±0.2mm	APVD	09.04.81				
0 PLC ± -	PRODUCT SPEC	108-18012	NAME			
1 PLC ± -	APPLICATION SPEC	-	AMPMODU II PIN HEADER			
2 PLC ± -	WEIGHT	-	SIZE	CAGE CODE	DRAWING NO	RESTRICTED TO
3 PLC ± -			A4	00779	C-827312	-
4 PLC ± -			CUSTOMER DRAWING			
ANGLES ± -			SCALE	SHEET	REV	
			4:1	1 OF 1	F2	