

REVISIONS					
P	LTR	DESCRIPTION	DATE	DWN	APVD
	12	ECN-25-356402	27OCT2025	GSK	AK

NOTES: -

1. CHARACTERS: -

0-9, A-Z, +, -, /, ~, ≡

0, 1, 6 & 9 FOLLOWED BY A FULL STOP.

HEIGHT 1.7 - 1.9 mm

TOLERANCE (AXIAL) ±0.75

(ROTATIONAL) ±5°

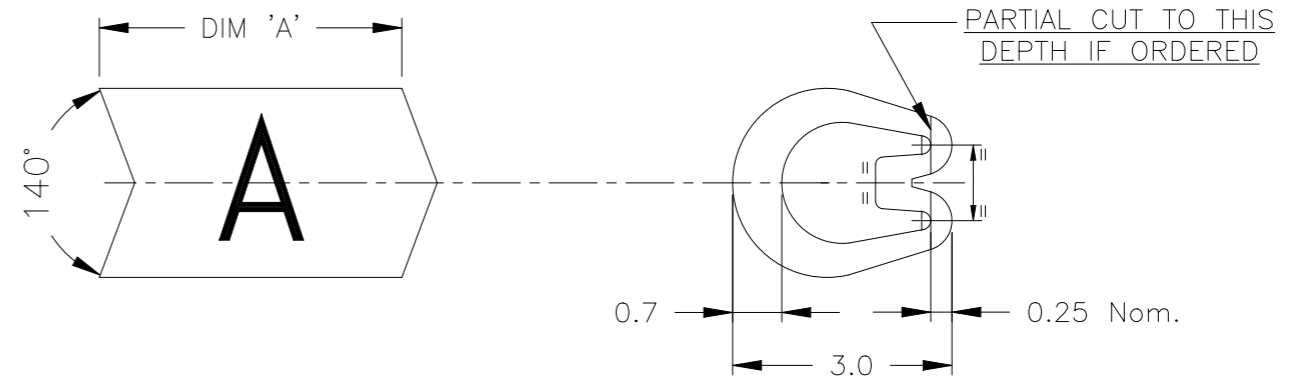
CHEVRON CUT MARKERS: -

CHARACTERS TO BE CENTRALLY DISPOSED ON MARKER FACE AND IN THE ATTITUDE SHOWN RELATIVE TO CHEVRON.

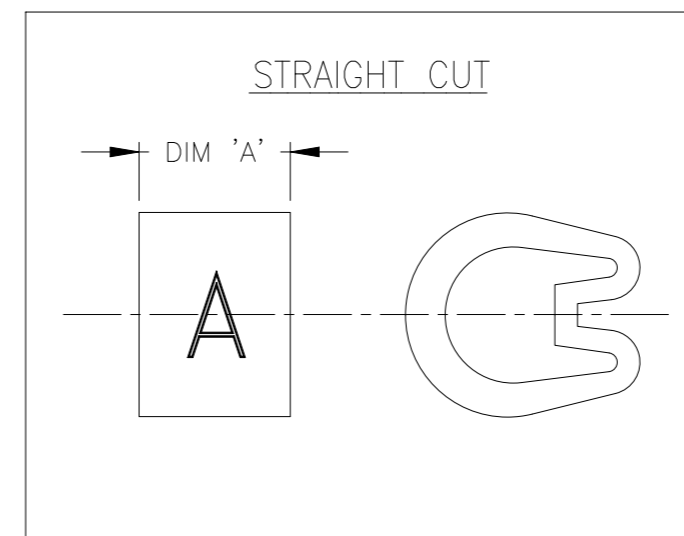
2. MARKER LENGTHS (DIMENSION 'A'): -

WITH SINGLE MARK 3.70-4.50


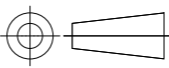
WITH DOUBLE MARK 5.75-6.25



CHEVRON CUT



STRAIGHT CUT

THIS DRAWING IS A CONTROLLED DOCUMENT.		DWN GOPALAKRISHNA H V 11FEB2020	 TE Connectivity			
		CHK ALAN KEAN 11FEB2020				NAME
DIMENSIONS: mm		TOLERANCES UNLESS OTHERWISE SPECIFIED:		MARKER Z TYPE SIZE 5 STRAIGHT / CHEVRON CUT		
		0 PLC ± -	PRODUCT SPEC		-	
		1 PLC ± 0.2	APPLICATION SPEC		-	
MATERIAL		2 PLC ± -	WEIGHT		SIZE	
PVC		3 PLC ± -	1.35 - 1.22g/250mm		CAGE CODE	
		4 PLC ± -	CUSTOMER DRAWING		DRAWING NO	
		ANGLES ± -			A3 A00YM C-1601A0001	
		FINISH -			RESTRICTED TO	
					-	
					SCALE 10:1 SHEET 1 OF 1 REV 12	