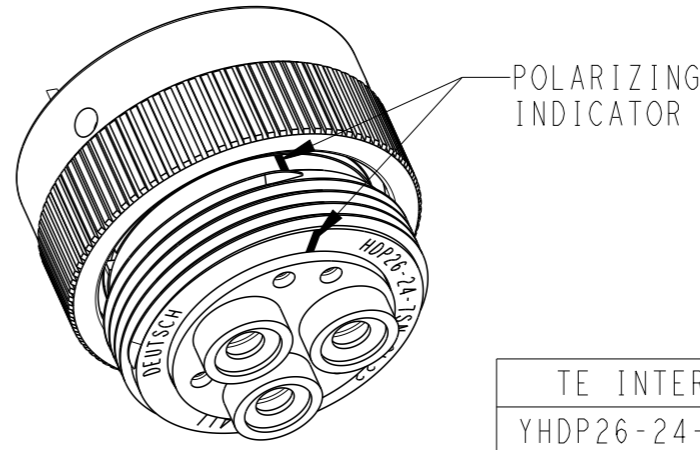
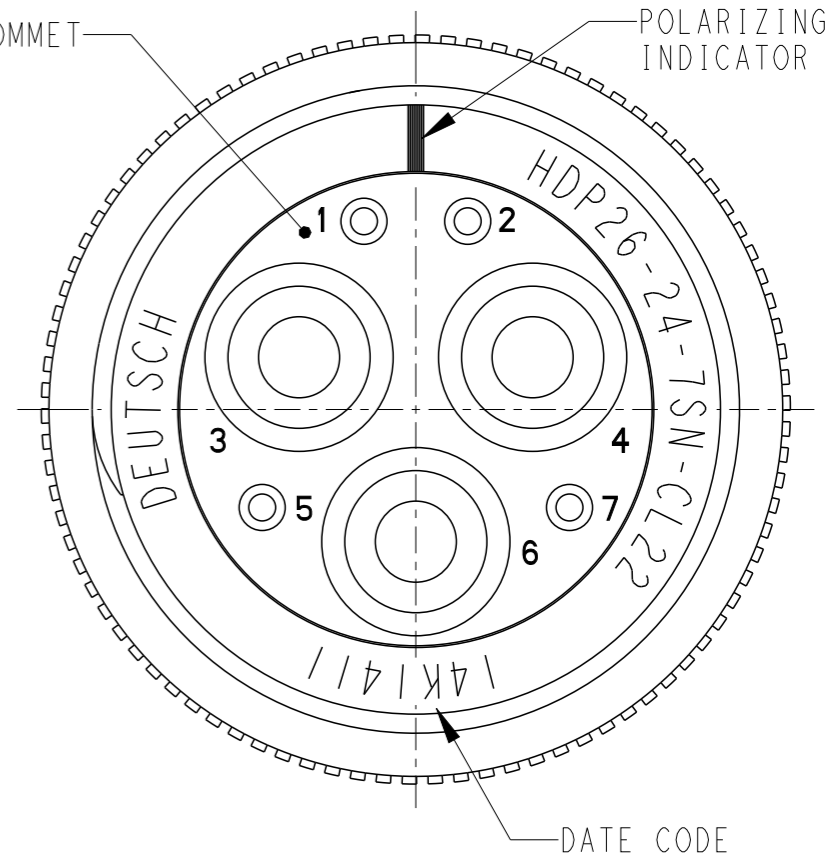
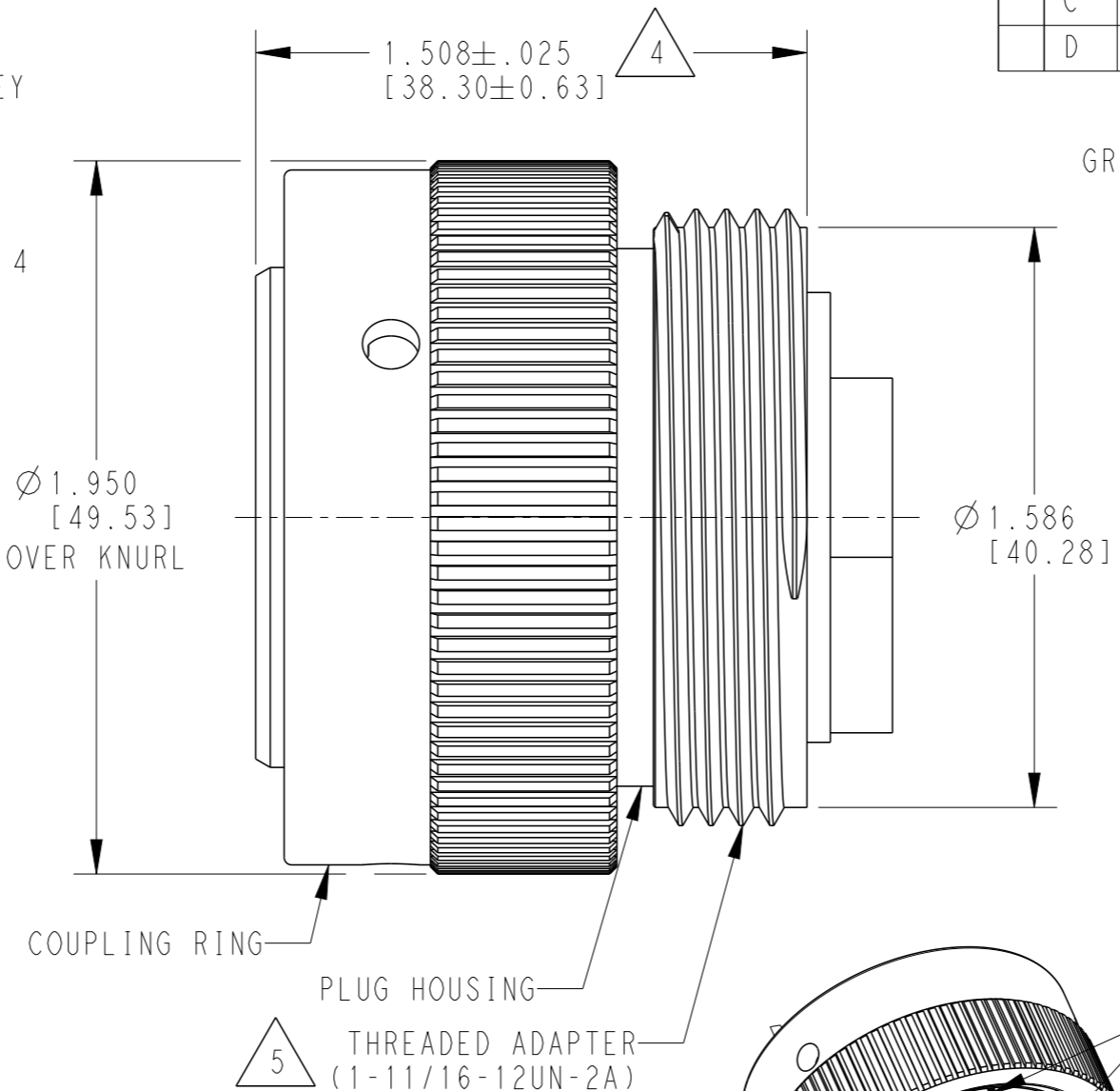
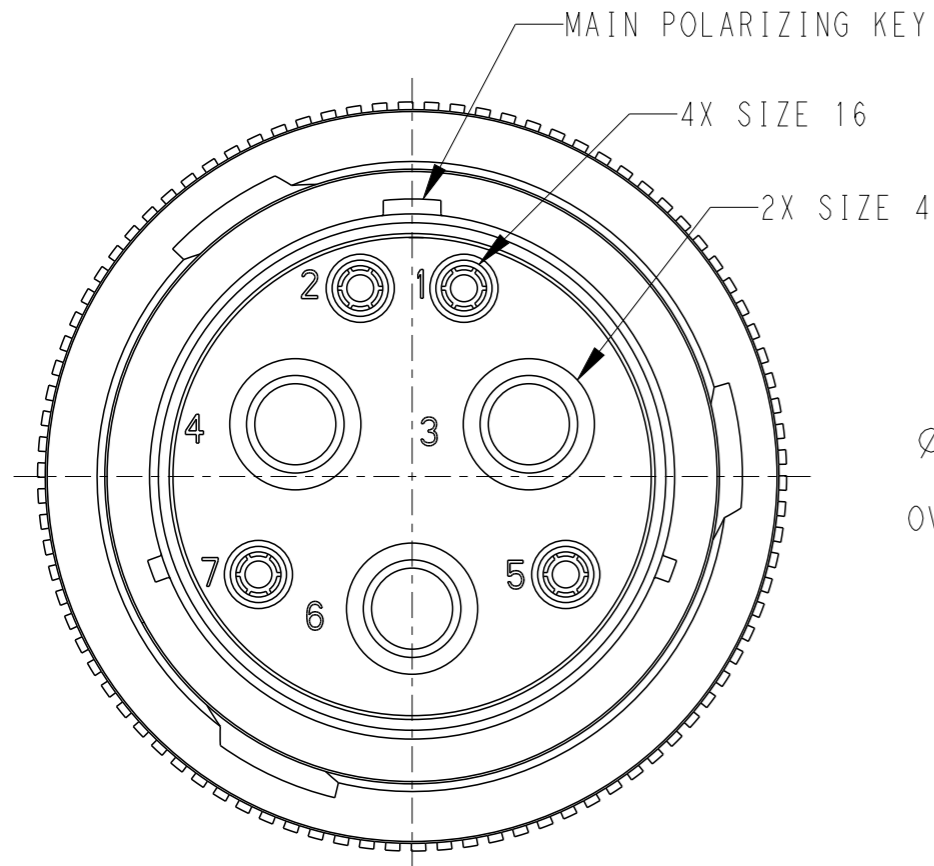


LOC	DIST	REVISIONS			
P	LTR	DESCRIPTION	DATE	DWN	APVD
	A	NEW RELEASE PER ECO-14-008691	11JUN2014	JA	DM
	B1	REVISED PER ECO-14-019072	23FEB2015	JA	DM
	C	REVISED PER PCN-24-219306	29AUG2024	CO	CB
	D	REVISED PER PCN-25-233228	19DEC2024	RK	CB



- 5 PART MODIFICATION:
3 SIZE 4: 4 AWG [21.0-25.0 mm²] AND 4 SIZE 16
THREADED ADAPTER ACCEPTS BACKSHELL 2428-024-2405
- 4 NOTED DIMENSION DOES NOT INCLUDE GROMMET PROTRUSION.
- 3 MATERIAL: PLUG HOUSING/COUPLING RING: PA66 GF10 (BLACK)
THREADED ADAPTER: PA66 GF10 (GREEN)
GROMMET: SILICONE (ORANGE-RED)

2. THIS PLUG MATES WITH HDP24-24-7SX-XXXX RECEPTACLE
 X = SEAL TYPE (N,T,E)
 XXXX = MODIFICATION

1 SEE 0425-021-0000 APPLICATION SPECIFICATION
 A. RECOMMENDED WIRE INSULATION RANGE
 B. CONTACT REMOVAL TOOLS

NOTES:

TE INTERNAL PN	DEUTSCH PN
YHDP26-24-7SN-CL22	HDP26-24-7SN-CL22

THIS DRAWING IS A CONTROLLED DOCUMENT.		DWN 11JUN2014 JAIME C. APOSTOL		TE Connectivity	
DIMENSIONS: INCHES [mm]		CHK 11JUN2014 ILINA GRANTCHAROVA			
TOLERANCES UNLESS OTHERWISE SPECIFIED:		APVD 11JUN2014 DAVID MEYER		NAME PLUG, COUPLING RING SIZE 24, -CL22 MOD HDP SERIES	
0 PLC ± 1 PLC ± 2 PLC ± 3 PLC ±.015 [0.38] 4 PLC ± ANGLES ±0°30'0"		PRODUCT SPEC 0425-021-0000		SIZE A3	
MATERIAL 3		FINISH N/A		CAGE CODE 4AFU8	
		WEIGHT 55.26g		DRAWING NO HDP26-24-7SN-CL22	
		Customer Drawing		RESTRICTED TO -	
		SCALE 2:1		SHEET 1 OF 1	
				REV D	