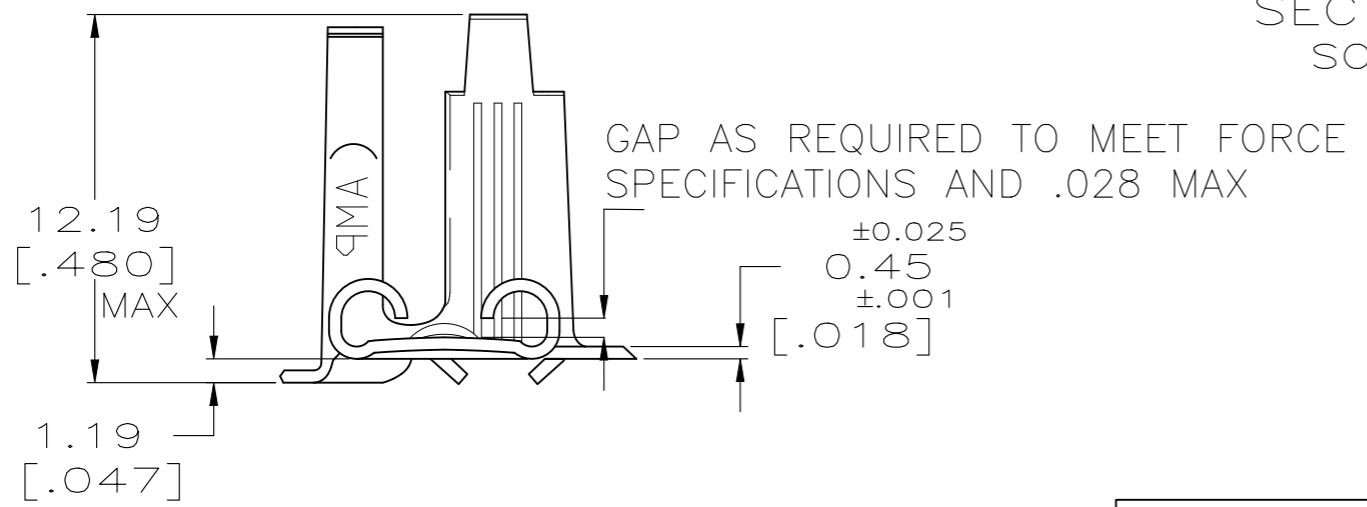
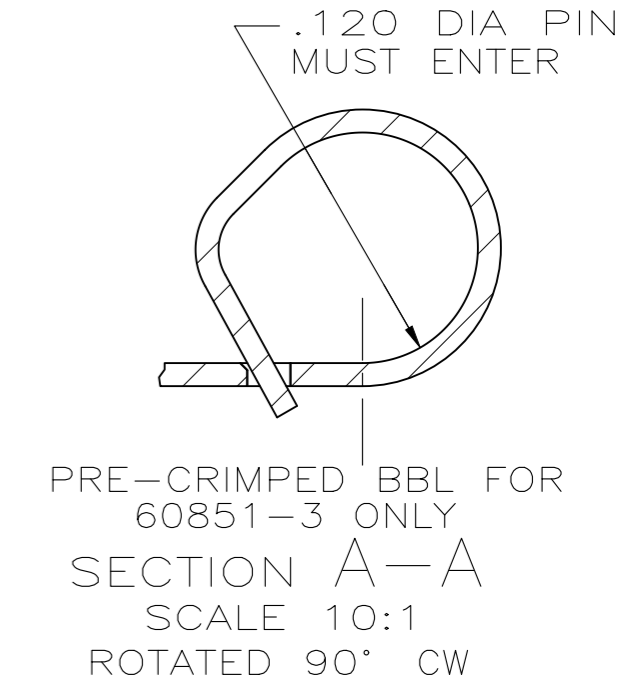
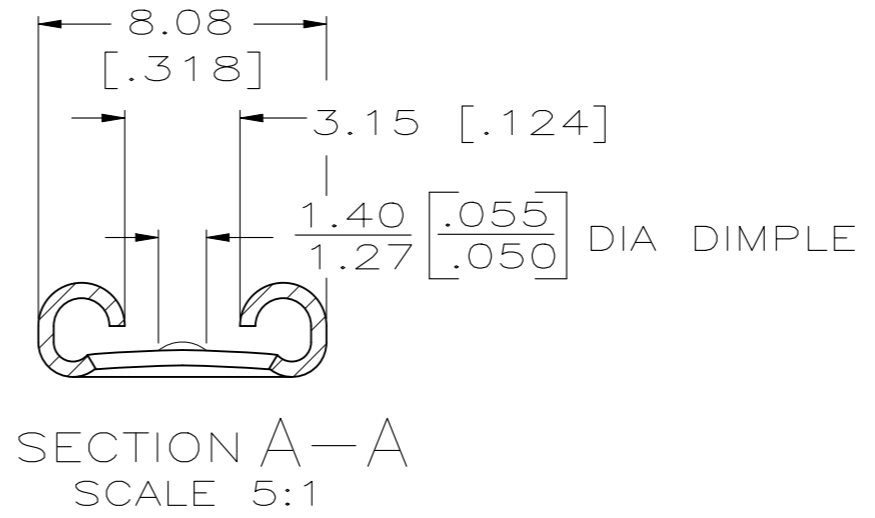
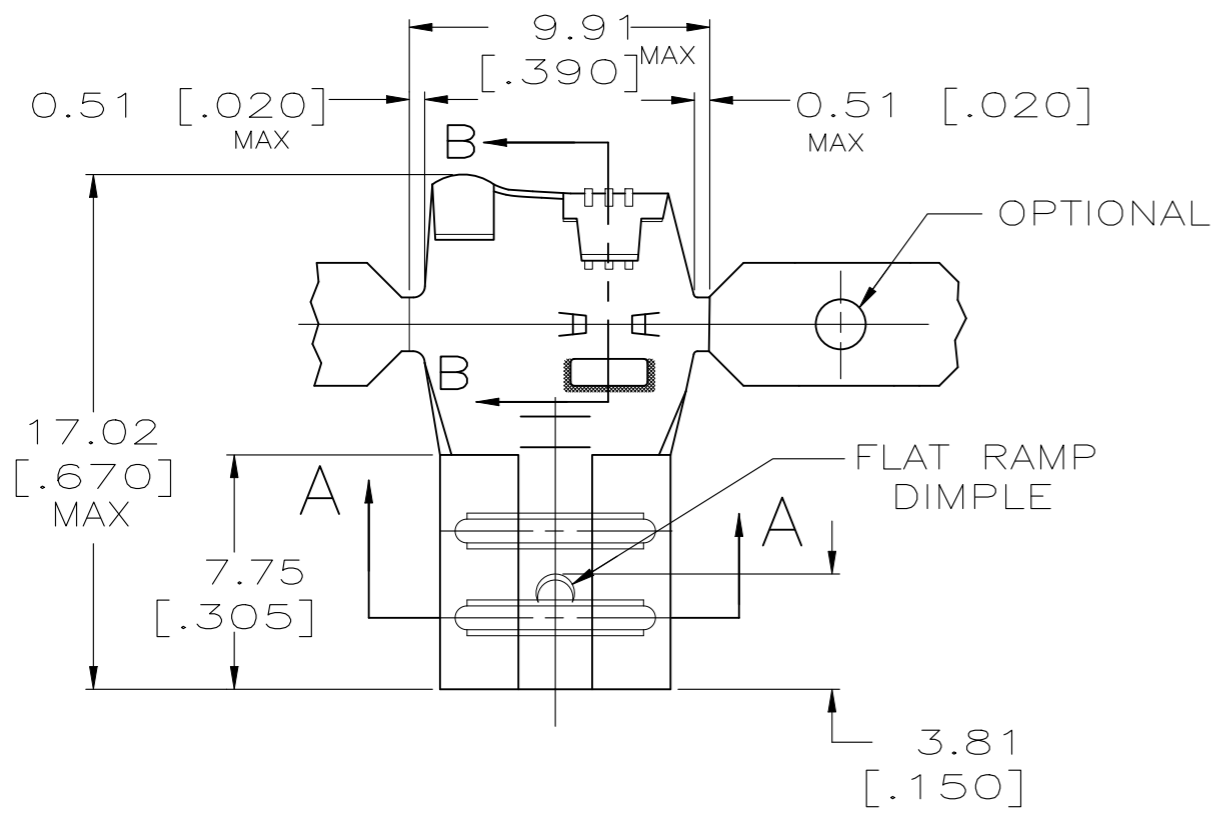


THIS DRAWING IS UNPUBLISHED. RELEASED FOR PUBLICATION  
 © COPYRIGHT - By - ALL RIGHTS RESERVED.

| LOC | DIST | REVISIONS |     |                           |           |     |      |
|-----|------|-----------|-----|---------------------------|-----------|-----|------|
|     |      | P         | LTR | DESCRIPTION               | DATE      | DWN | APVD |
| AF  | 50   |           | AD1 | REVISED PER ECR-25-262681 | 03MAR2026 | DB  | DH   |

- 1 CONTINUOUS STRIP ON REELS.
- 2 FEED TO BE 19.56 [.770].
- 3 PRE-CRIMPED BARREL FOR 60851-3 ONLY. SUPPLIED IN LOOSE PIECE.
- 4 MATING TAB THK TO BE .033-.030
- 5 WIRE SIZE IS 3.0-5.0mm<sup>2</sup> [12-10] AWG
- 6 INSULATION RANGE IS 2.79-5.33 [.110-.210] DIA.



|        |                      |
|--------|----------------------|
| -      | 60851-4              |
| TIN    | 60851-3 <sup>3</sup> |
| SILVER | 60851-2              |
| TIN    | 60851-1              |
| FINISH | PART NUMBER          |

|  |  |                  |           |                                       |                            |            |               |
|--|--|------------------|-----------|---------------------------------------|----------------------------|------------|---------------|
| THIS DRAWING IS A CONTROLLED DOCUMENT. |  | DWN              | JR RUTH   | 2/13/91                               | <b>STE</b> TE Connectivity |            |               |
| DIMENSIONS:<br>mm [INCHES]             |  | CHK              | P FORTNEY | 2/13/91                               |                            |            |               |
| TOLERANCES UNLESS OTHERWISE SPECIFIED: |  | APVD             | D REINER  | 2/13/91                               | NAME                       |            |               |
| 0 PLC ± -                              |  | PRODUCT SPEC     |           | RECEPTACLE, FASTON, FLAG, .250 SERIES |                            |            |               |
| 1 PLC ± -                              |  | APPLICATION SPEC |           | SIZE                                  | CAGE CODE                  | DRAWING NO | RESTRICTED TO |
| 2 PLC ± -                              |  | MATERIAL         |           | A3 00779                              |                            | C-60851    | -             |
| 3 PLC ± 0.38 [.015]                    |  | FINISH           |           | CUSTOMER DRAWING                      |                            |            | SCALE         |
| 4 PLC ± -                              |  | SEE TABLE        |           | 4:1                                   |                            |            | SHEET         |
| ANGLES ± -                             |  |                  |           | 1 OF 1                                |                            |            | REV           |
|  |  |                  |           | AD1                                   |                            |            |               |