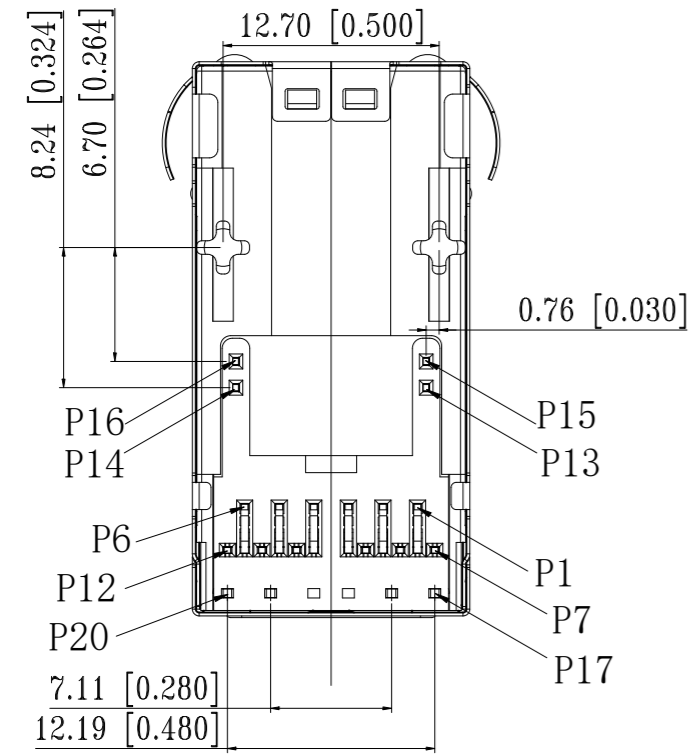
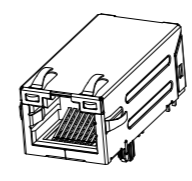
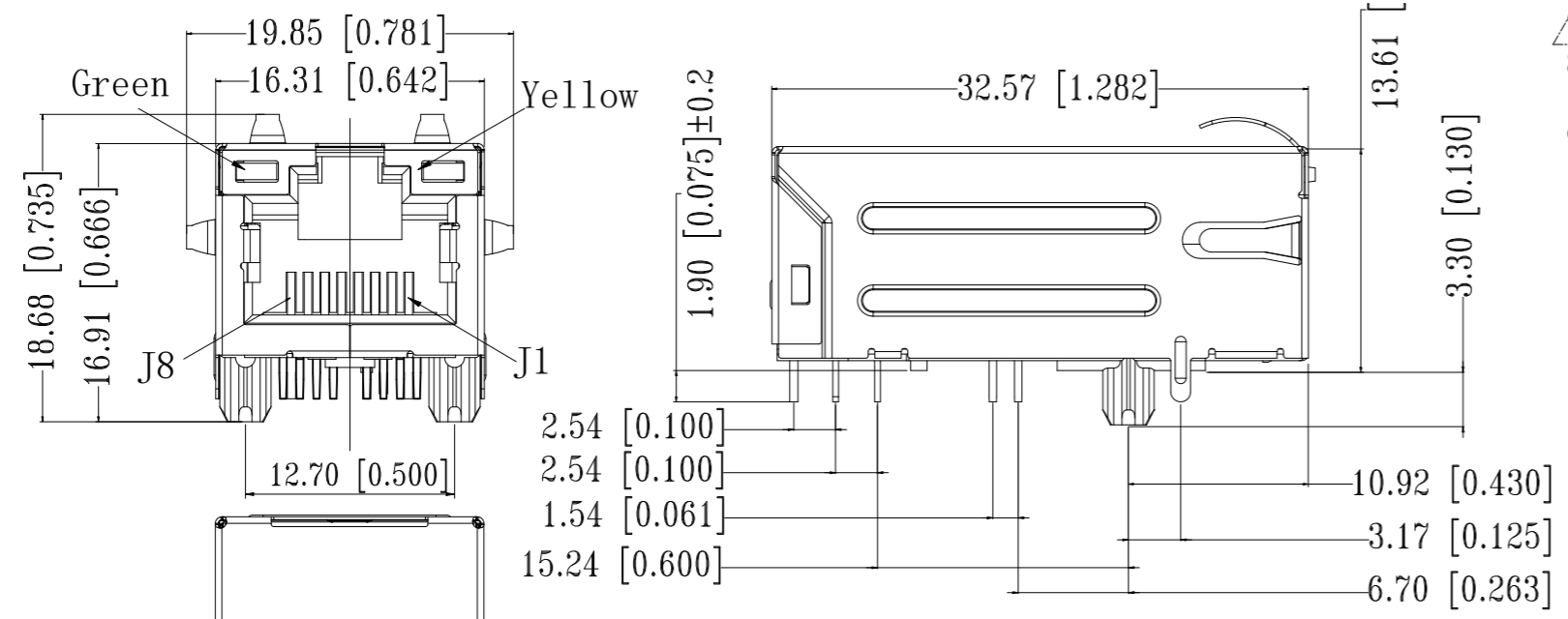


| REVISIONS | | | | |
|-----------|-----|-----------------|-----------|-------|
| P | LTR | DESCRIPTION | DATE | APVD |
| | A1 | TYPO CORRECTION | 27FEB2026 | HS SK |



- 1 CONNECTOR MATERIAL:
 HOUSING: LCP BLACK UL94 V-0
 INSERT: LCP BLACK UL94 V-0
 SHIELD: BRASS
 SHIELD PLATING: NICKEL
 CONTACT: COPPER ALLOY
 CONTACT PLATING: SELECTIVE GOLD, MIN. 0.76µm (30µinch) IN CONTACT AREA
 OVER MIN. 1.27µm (50µinch) NICKEL
 SOLDER PIN PLATING: 3.05µm (120µinch) TIN OVER 1.27µm (50µinch) NICKEL
 OVER ALL
 SHIELDING PIN PLATING: NICKEL
- 2 PIN NOT ELECTRICALLY CONNECTED MAYBE OMITTED SEE ELECTRICAL CIRCUIT DIAGRAM FOR OMITTED PINS
- 3 RJ45 CAVITIES CONFORM TO FCC RULES AND REGULATION PART 68
- 4 THE PART IS RECOMMENDED FOR REFLOW SOLDERING PROCESS PEAK SOLDERING: TEMPERATURE MAX. +260° C, MAX. 10s
- 5 OPERATING TEMPERATURE: T= -40° C TO +85° C
- 6 STORAGE TEMPERATURE: T= -40° C TO +85° C
- 7 UNLESS OTHERWISE SPECIFIED, SEE TABLE FOR ALL DIMENSIONS TOLERANCES
- 8 JACK CONFIGURATION: 1 x 1
 TAB DIRECTION: UP
- 9 PACKAGING: TRAY ACCORDING TO PACKAGING SPECIFICATION 107-18116



1:1

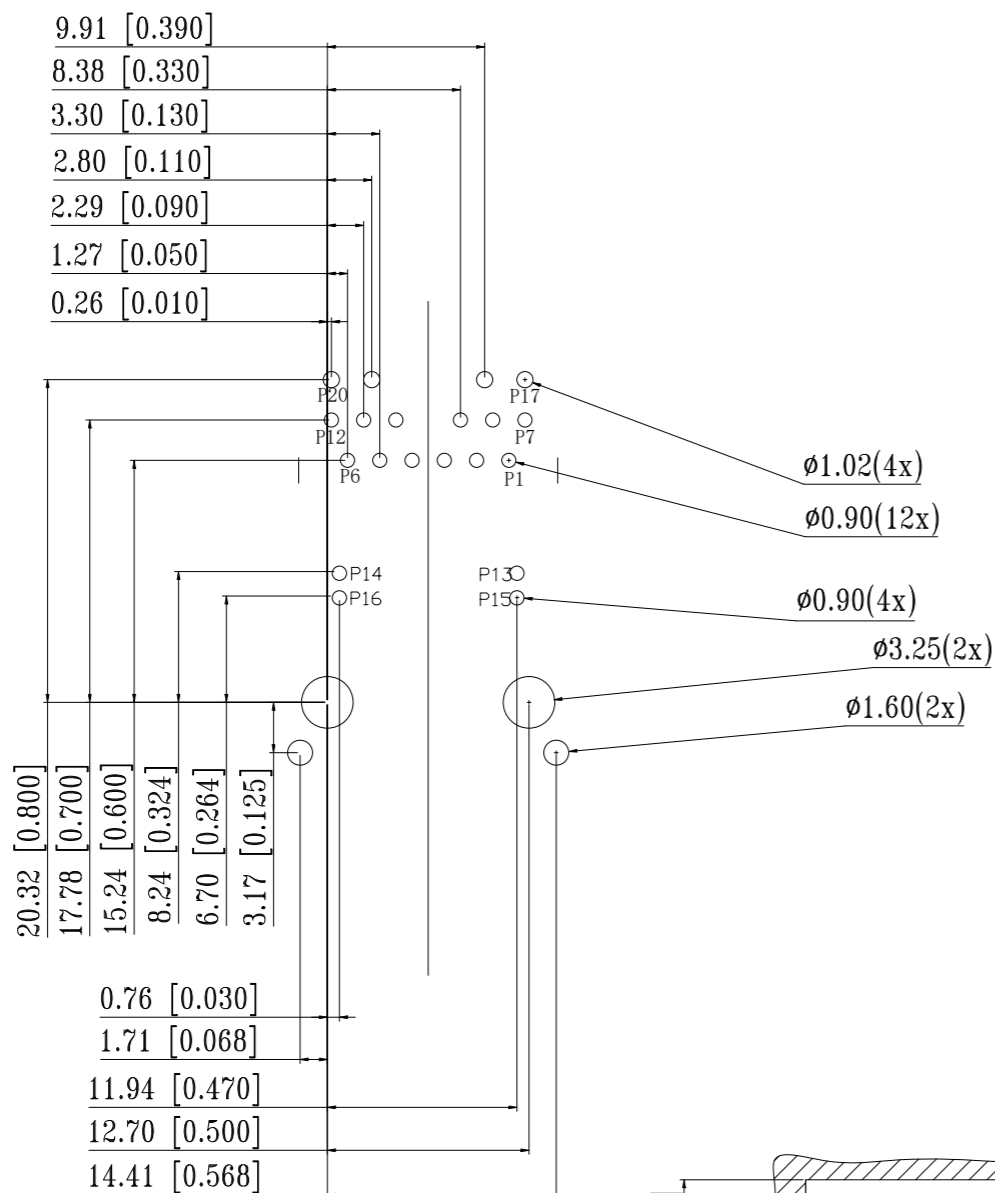
| TABLE OF TOLERANCE (mm) | |
|-------------------------|-----------|
| RANGE | TOLERANCE |
| 0-10 | ±0.15 |
| >10-40 | ±0.25 |
| >40-70 | ±0.30 |
| >70 | ±0.40 |

| | | | | |
|--|--|-----------------------------------|--|----------------------------|
| THIS DRAWING IS A CONTROLLED DOCUMENT. | | DWN GANESH C M 26NOV2018 | STE TE Connectivity | |
| DIMENSIONS: mm [INCHES] | | CHK O. WIBORG 26NOV2018 | | |
| TOLERANCES UNLESS OTHERWISE SPECIFIED: | | APVD J. DE BRUIJN 26NOV2018 | NAME RJ45 JACK MAG. POE 1Gb LED 1x1 INV | |
| 0 PLC ± - | | PRODUCT SPEC 108-94694 | - | |
| 1 PLC ± - | | APPLICATION SPEC 114-94556 | - | |
| 2 PLC ± - | | WEIGHT A3 | SIZE 00779 | CAGE CODE C-5-2337992-5 |
| 3 PLC ± - | | DRAWING NO RESTRICTED TO | | |
| 4 PLC ± - | | SCALE 3:1 | | |
| ANGLES ± - | | SHEET 1 of 3 | | |
| FINISH | | REV A1 | | |
| MATERIAL | | CUSTOMER DRAWING | | |

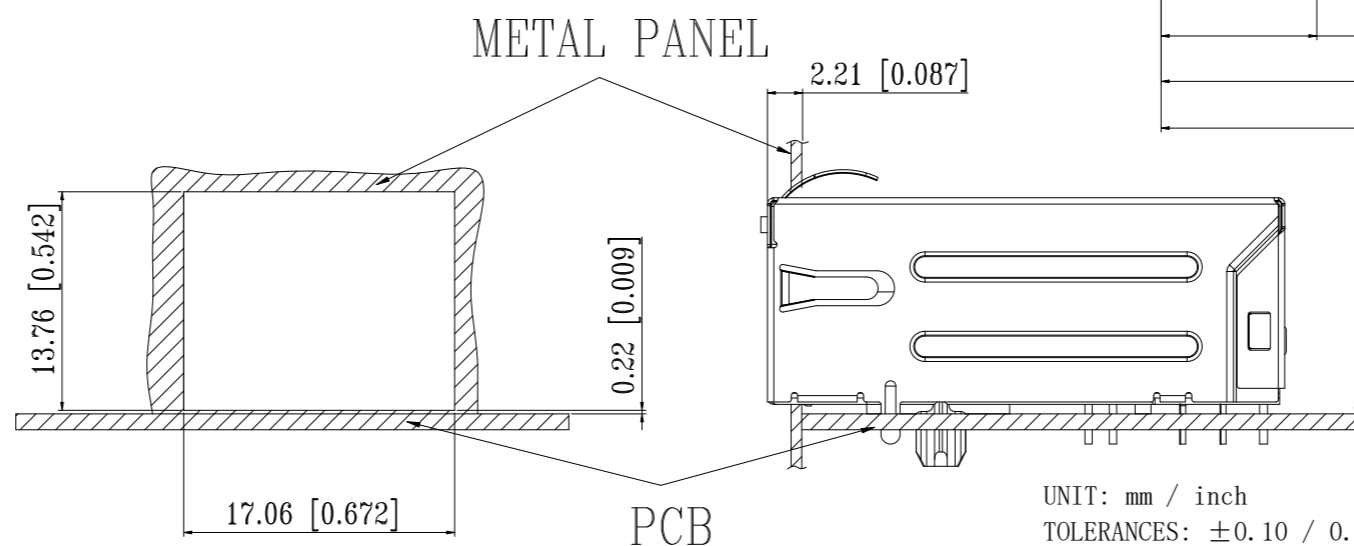
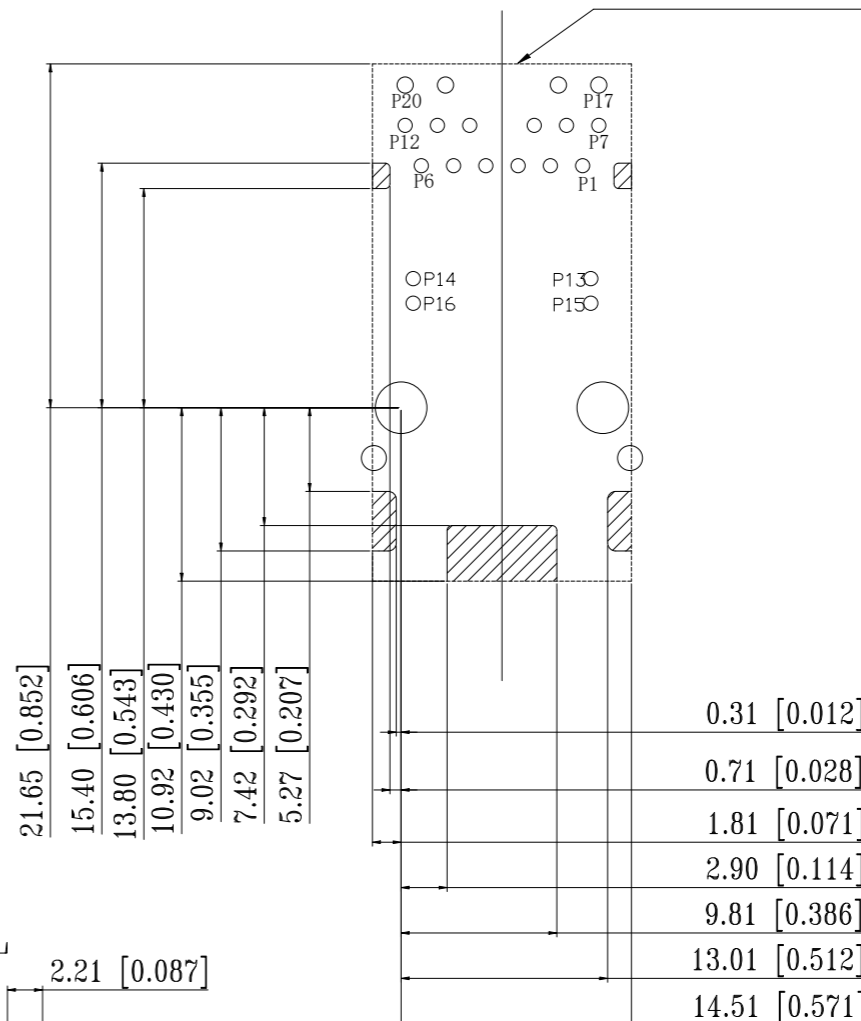
REVISIONS

| P | LTR | DESCRIPTION | DATE | DWN | APVD |
|---|-----|-------------|------|-----|------|
| - | - | SEE SHEET 1 | - | - | - |

SUGGESTED PCB LAYOUT



Connector Boundary

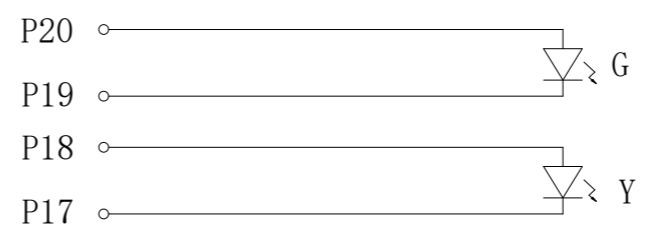
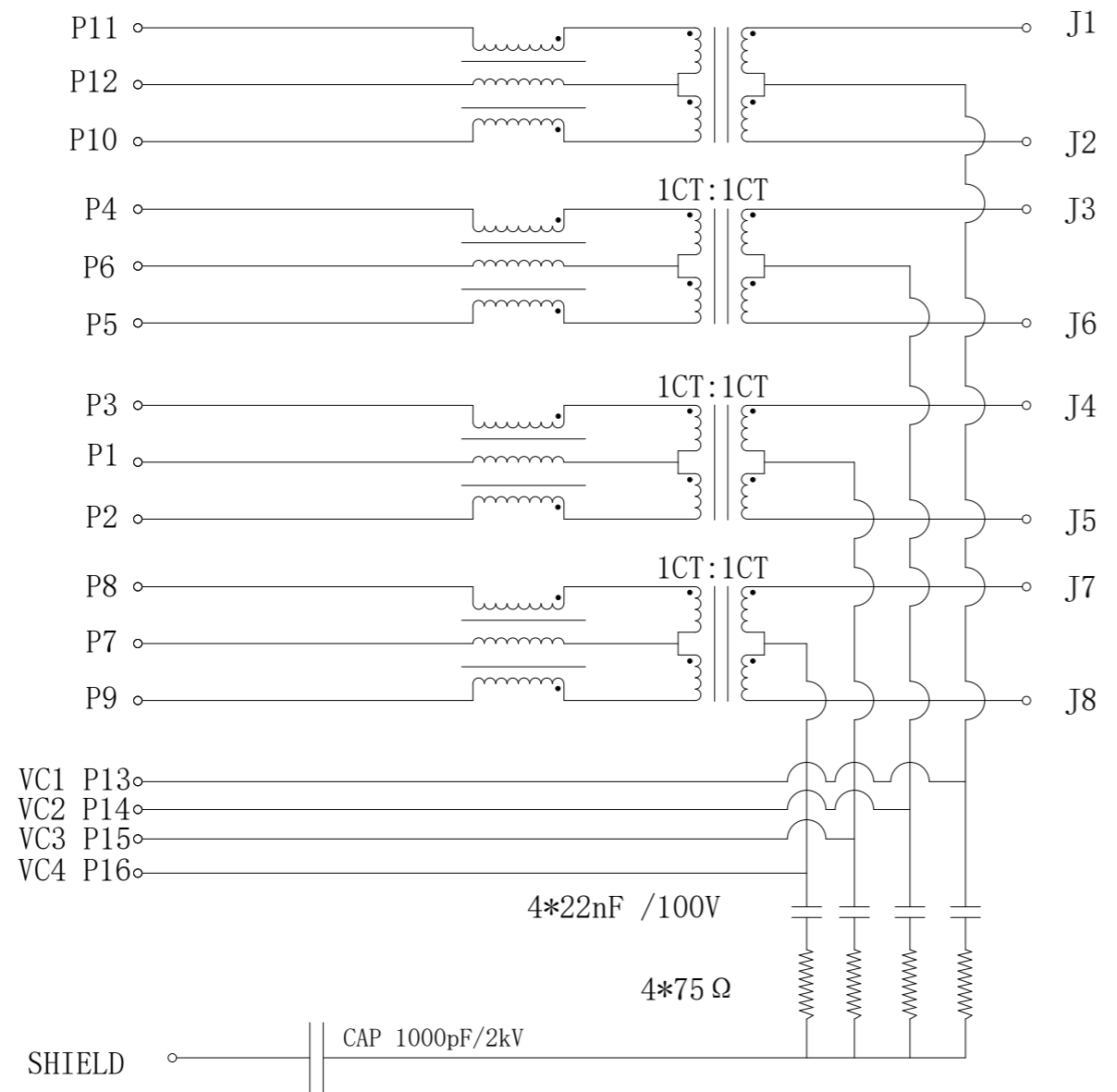


UNIT: mm / inch
TOLERANCES: ±0.10 / 0.004

| | | | | |
|--|--|-----------------------------------|--|-----------------------------|
| THIS DRAWING IS A CONTROLLED DOCUMENT. | | DWN GANESH C M 26NOV2018 | STE TE Connectivity | |
| DIMENSIONS: mm [INCHES] | | CHK O. WIBORG 26NOV2018 | | |
| TOLERANCES UNLESS OTHERWISE SPECIFIED: | | APVD J. DE BRUIJN 26NOV2018 | NAME RJ45 JACK MAG. POE 1Gb LED 1x1 INV | |
| 0 PLC ± - | | PRODUCT SPEC 108-94694 | SIZE A3 | |
| 1 PLC ± - | | APPLICATION SPEC 114-94556 | CAGE CODE 00779 | DRAWING NO C-5-2337992-5 |
| 2 PLC ± - | | WEIGHT | RESTRICTED TO | |
| 3 PLC ± - | | CUSTOMER DRAWING | | |
| 4 PLC ± - | | SCALE 3:1 | | |
| ANGLES ± - | | SHEET 2 OF 3 | | |
| FINISH | | REV A1 | | |

| REVISIONS | | | | | |
|-----------|-----|-------------|------|-----|------|
| P | LTR | DESCRIPTION | DATE | DWN | APVD |
| - | - | SEE SHEET 1 | - | - | - |

ELECTRICAL CIRCUIT DIAGRAM



| Pin | Yellow | Pin | Green |
|-----|--------|-----|-------|
| P17 | - | P19 | - |
| P18 | + | P20 | + |

- 1.0 Turn Ratio @100kHz: (P11~P10):(J1~J2) = 1:1±2%
 (P4~P5):(J3~J6) = 1:1±2%
 (P3~P2):(J4~J5) = 1:1±2%
 (P8~P9):(J7~J8) = 1:1±2%
- 2.0 Primary Inductance: 350µH MIN. @100kHz,0.1V 8mA DC BIAS
- 3.0 DC Resistance: 1.2 OHMS MAX.
- 4.0 Insertion Loss: 1-100MHz -1.0dB MAX.
 100-125MHz -1.2dB MAX.
- 5.0 Return Loss: 1-40MHz -16dB MIN.
 40-60MHz -12dB MIN.
 60-80MHz -10dB MIN.
 80-100MHz -8dB MIN.
- 6.0 CROSS TALK: 1-100MHz -27.1dB MIN.
- 7.0 COMMON TO COMMON MODE ATTENUATION: 1-100MHz -30dB MIN
- 8.0 Isolation: PHY Side to Line Side: 2250VDC
- 9.0 DC CURRENT/VOLTAGE RATING-PSE PINS: 720mA MAX. @57VDC (CONTINUOUS)

5-2337992-5
 WWYY-xxxx

TE

FCC

CONTROL CODE
 DATE CODE
 "0213"

YY-YEAR
 WW-WEEK

| | | | | | |
|--|--|-----------------------------------|--|-----------------------------|--------------------|
| THIS DRAWING IS A CONTROLLED DOCUMENT. | | DWN GANESH C M 26NOV2018 | TE Connectivity | | |
| DIMENSIONS: mm [INCHES] | | CHK O. WIBORG 26NOV2018 | | | |
| TOLERANCES UNLESS OTHERWISE SPECIFIED: | | APVD J. DE BRUIJN 26NOV2018 | NAME RJ45 JACK MAG. POE 1Gb LED 1x1 INV | | |
| 0 PLC ± - | | PRODUCT SPEC 108-94694 | SIZE A3 | | |
| 1 PLC ± - | | APPLICATION SPEC 114-94556 | CAGE CODE 00779 | DRAWING NO C-5-2337992-5 | RESTRICTED TO - |
| 2 PLC ± - | | WEIGHT | SCALE 3:1 | | |
| 3 PLC ± - | | CUSTOMER DRAWING | | | |
| 4 PLC ± - | | SHEET 3 of 3 | | | |
| ANGLES ± - | | REV A1 | | | |
| FINISH | | | | | |