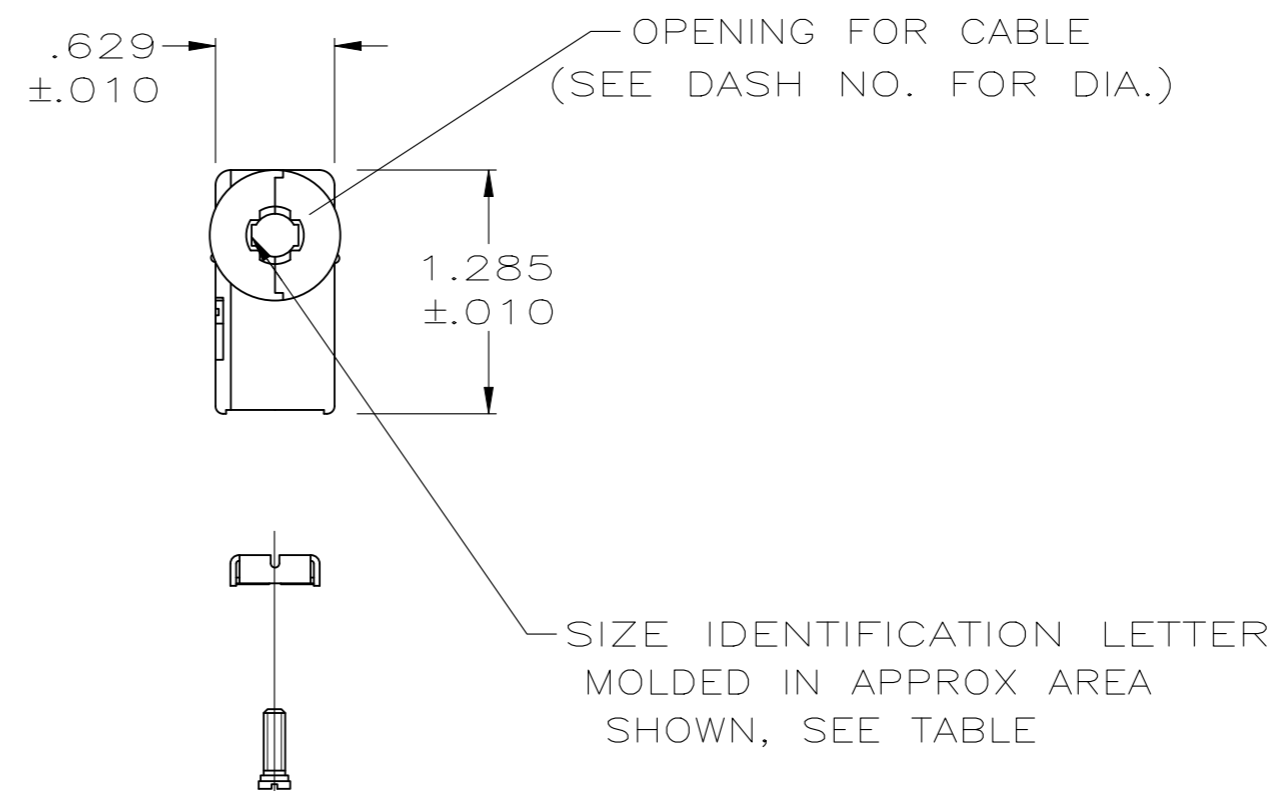
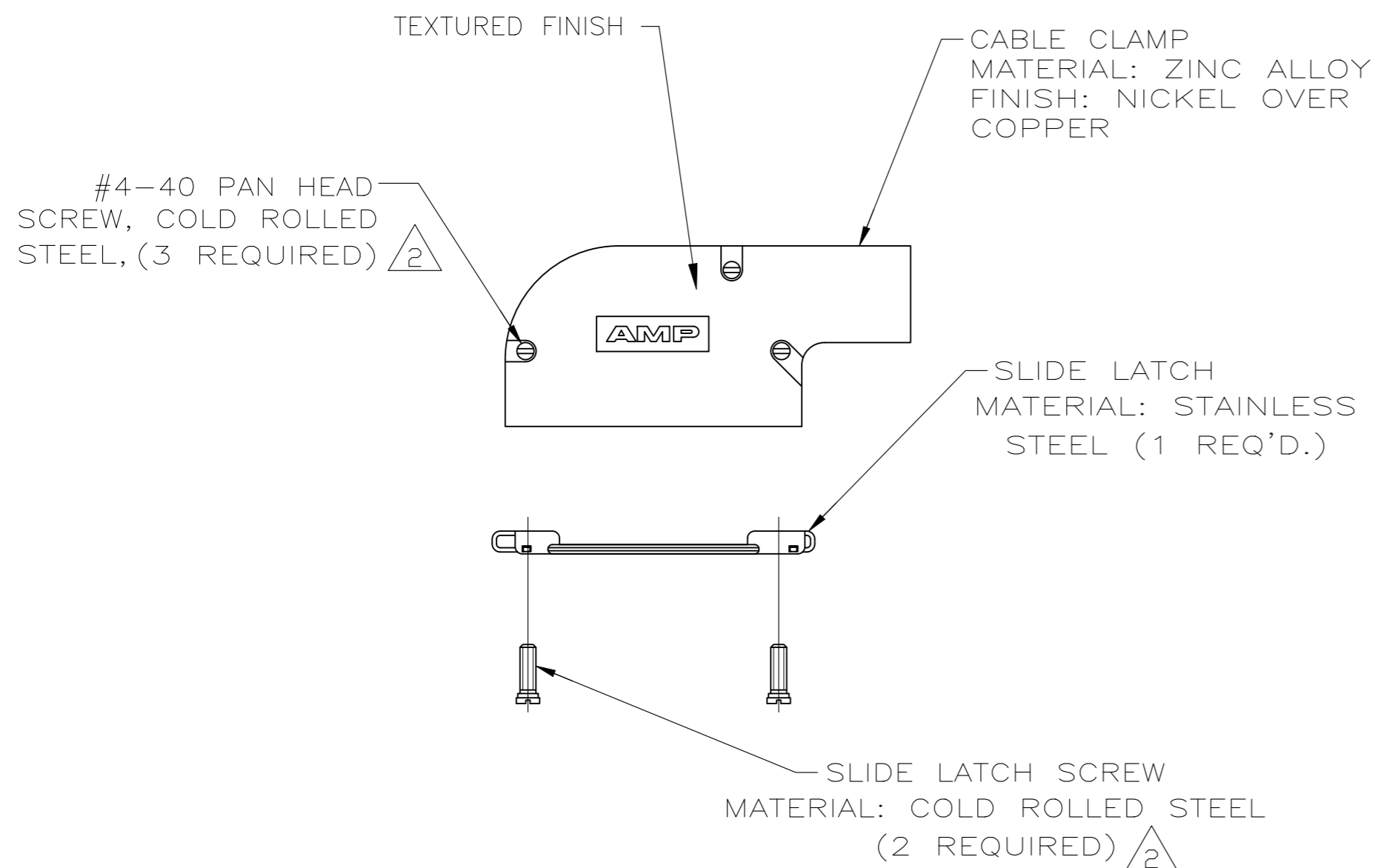
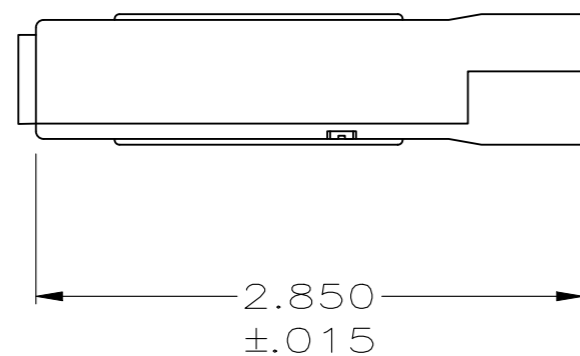


REVISIONS					
P	LTR	DESCRIPTION	DATE	DWN	APVD
P2		REVISED PER ECN-25-313073	25MAR2025	TR	SKN

- 1. ALL PARTS PACKAGED UNASSEMBLED AS A UNIT KIT.
- 2. ZINC PLATED .000200-.000400 THICK CLEAR CHROMATE COATING.



D	.280	5745653-5
G	.355	5745653-4
K	.430	5745653-3
M	.480	5745653-2
P	.530	5745653-1
NECK IDENT	CABLE DIA	PART NO.

THIS DRAWING IS A CONTROLLED DOCUMENT.		DWN	12AUG05		TE Connectivity
DIMENSIONS: INCHES		CHK	12AUG05		
TOLERANCES UNLESS OTHERWISE SPECIFIED:		APVD	12AUG05		
0 PLC ± - 1 PLC ± - 2 PLC ± - 3 PLC ± .005 4 PLC ± - ANGLES ± -		PRODUCT SPEC			
MATERIAL SEE CALLOUTS		FINISH SEE CALLOUTS		NAME	CABLE CLAMP KIT, SIZE 3, 25 POSITION, 90 DEGREE, AMPLIMITE SERIES
WEIGHT		0.000000	SCALE	1:1	SHEET 1 of 1
CUSTOMER DRAWING		SIZE	A2	CAGE CODE	00779
		SCALE	1:1	DRAWING NO.	C=5745653
		RESTRICTED TO		REV	P2

5745653