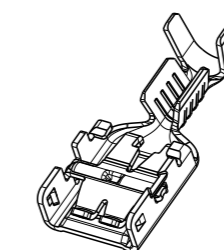
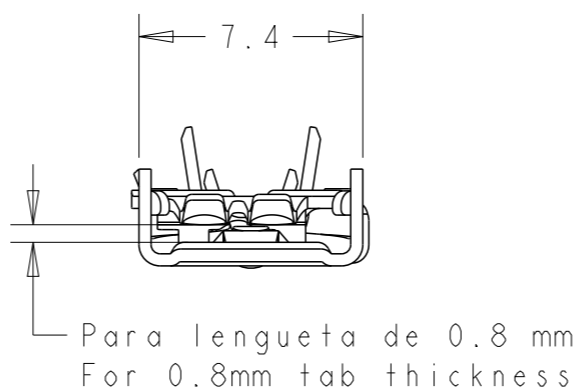
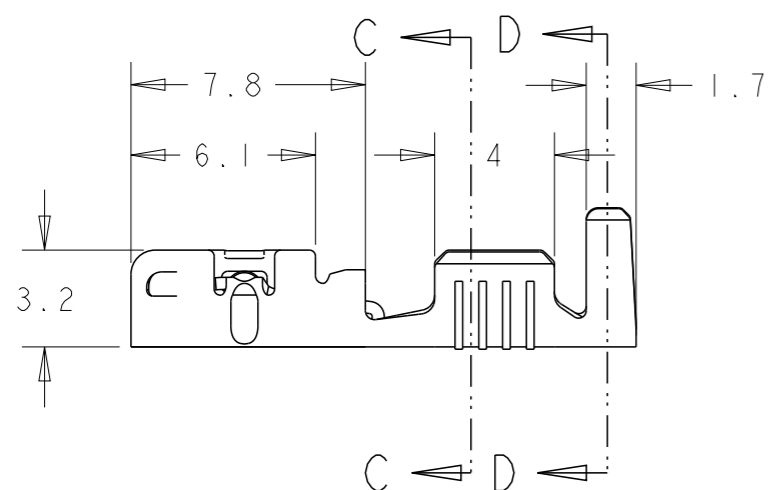


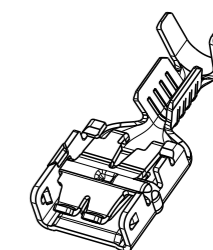
REVISIONS

P	LTR	DESCRIPTION	DATE	DWN	APVD
	K2	REVISED PER ECR-15-013036	03SEP2015	NK	DC
	K3	REVISED PER ECR-23-190201	06NOV2023	DB	RE
	K4	REVISED PER ECR-24-228741	13NOV2025	AG	RE

PACKAGING DETAILS:
 QUANTITY PER REEL: 8000 PCS(END FEED).
 SPLICES FREE

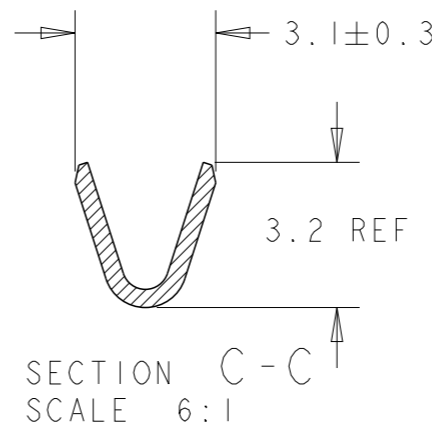
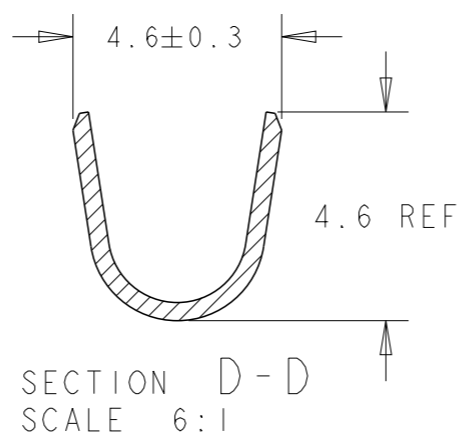
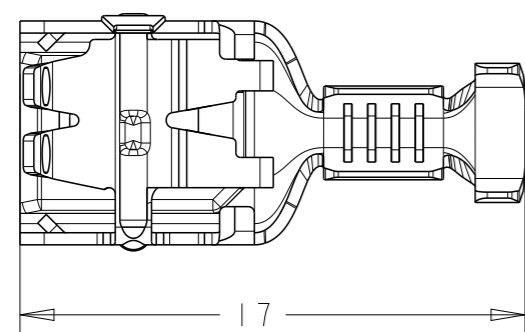


Left-sided product

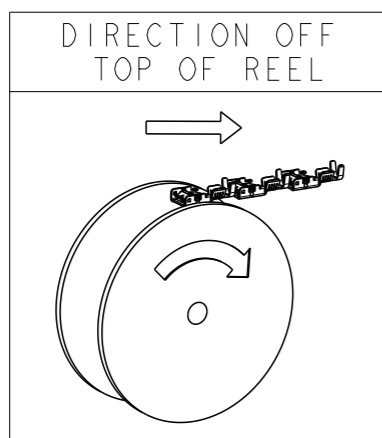


Right-sided product

Rango de hilo de 0,5 a 1,5 mm²
 Wire range from 0.5 to 1.5 mm²
 Diametro de aislante max 3,0 mm
 Max. Insulation Diameter 3.0 mm



	336075-7 (REELED WITH PAPER INTERLEAVE)	Latón Brass	Preestañado Pre-Tin
OBSOLETE	336075-6	CuNiSi	Preestañado Pre-Tin
OBSOLETE	336075-5	Acero Steel	Preniquelado Pre-Ni
	336075-3	Latón Brass	Preestañado Pre-Tin
	336075-1	Latón Brass	-
	Guion Dash	Material	Acabado Finish



THIS DRAWING IS A CONTROLLED DOCUMENT.		DWN	J. Saló	22 Dec 04	STE TE Connectivity												
		CHK	L. L.	22 Dec 04													
		APVD	-	-													
		PRODUCT SPEC	108-22128 Brass	108-22150 Pre-Ni Steel													
DIMENSIONS: mm		TOLERANCES UNLESS OTHERWISE SPECIFIED:		NAME E-SPRING CONTACT 6,35 Receptaculo 6.35 Receptacle E-SPRING CONTACT													
<table border="0"> <tr><td>0 PLC</td><td>±0.5</td></tr> <tr><td>1 PLC</td><td>±0.5</td></tr> <tr><td>2 PLC</td><td>±</td></tr> <tr><td>3 PLC</td><td>±</td></tr> <tr><td>4 PLC</td><td>±</td></tr> <tr><td>ANGLES</td><td>±</td></tr> </table>		0 PLC	±0.5	1 PLC	±0.5	2 PLC	±	3 PLC	±	4 PLC	±	ANGLES	±	APPLICATION SPEC 114-22017		SIZE A3	
0 PLC	±0.5																
1 PLC	±0.5																
2 PLC	±																
3 PLC	±																
4 PLC	±																
ANGLES	±																
MATERIAL Table		FINISH Table		CAGE CODE 00779													
		WEIGHT -		DRAWING NO C-336075													
		Customer Drawing		RESTRICTED TO -													
		SCALE 4:1		SHEET 1 OF 1													
				REV K4													