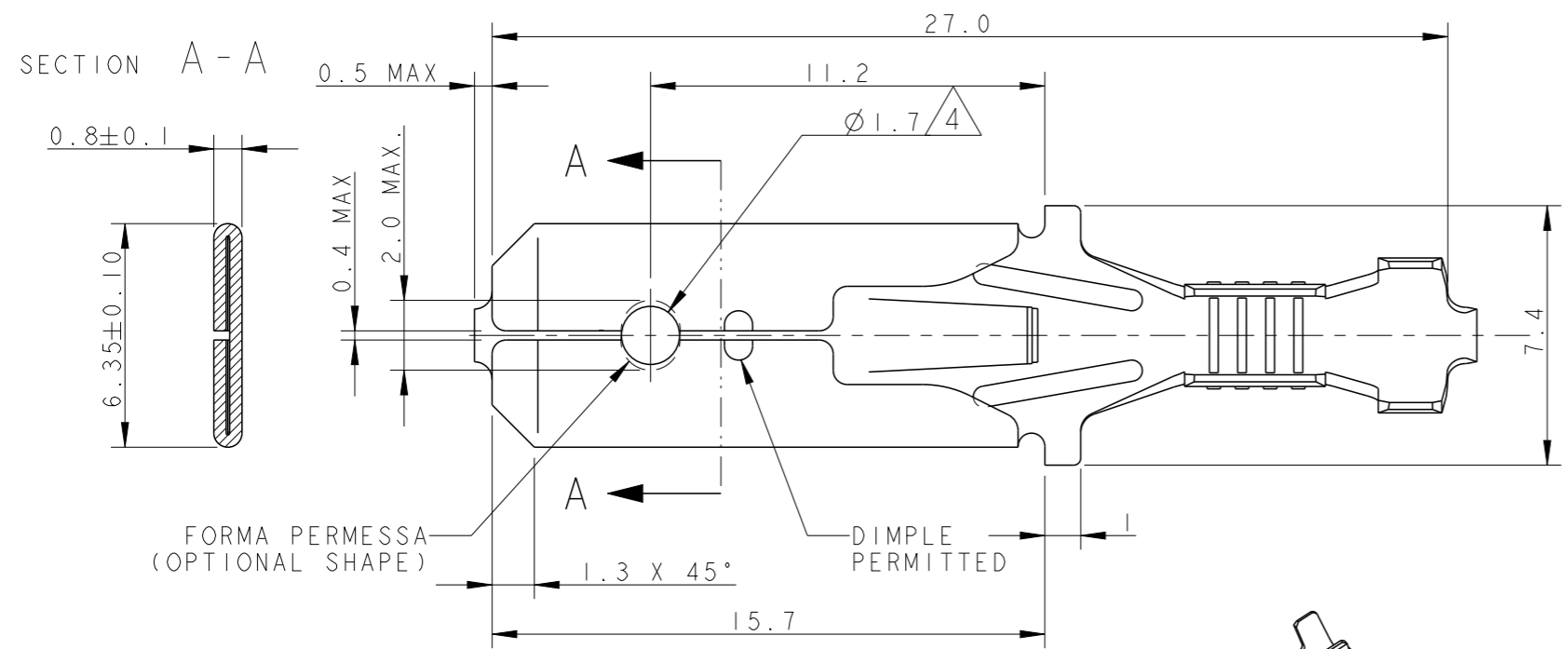
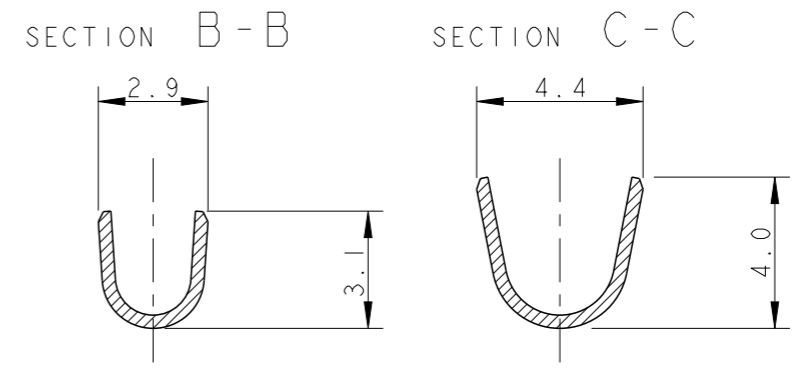
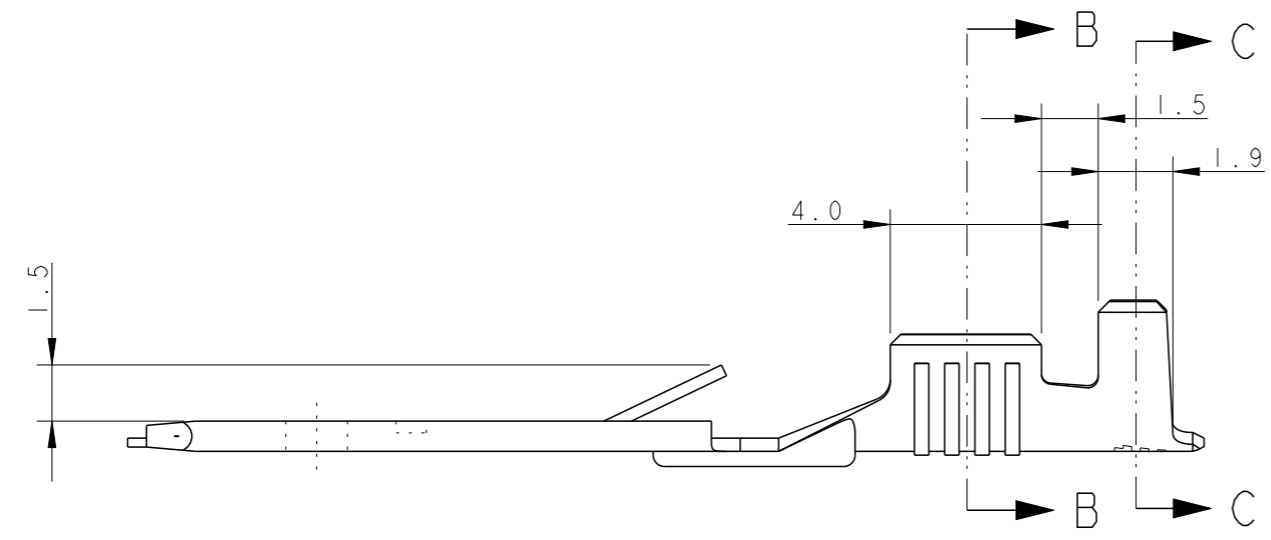


THIS DRAWING IS UNPUBLISHED. RELEASED FOR PUBLICATION 2004
 © COPYRIGHT 2004 ALL RIGHTS RESERVED.

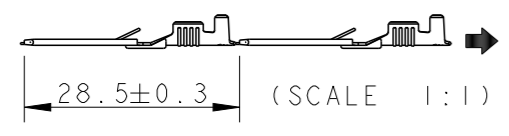
LOC	DIST	REVISIONS					
		P	LTR	DESCRIPTION	DATE	DWN	APVD
1	-		B4	NEW PNs WITHOUT INTERLEAVE ADDED	20MAY2013	PKS	RRP
			C	PLATING INFO CORRECTED FOR 3- -2	17JUN2013	PKS	RRP
			C1	NEW PNs WITH NEW Q'TY ADDED	08APR2018	DT	TD
			C2	REVISED PER ECR-24-226554	08DEC2025	AG	JS



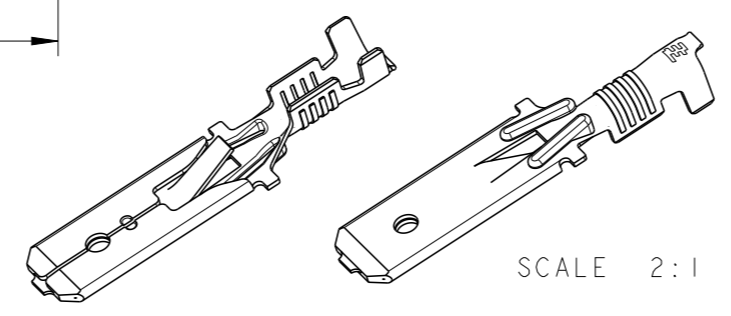
OBSOLETE

NOTE (NOTES)	VERSIONI (VERSIONS)	FINITURA (FINISH)	MATERIALE (MATERIAL)	NUMERO (TE P/N)
		PRE-STAGNATO (PRE-TINNED)	OTTONE (BRASS)	3-293041-2
		NUDO (PLAIN)	OTTONE (BRASS)	3-293041-1
		PRE-STAGNATO (PRE-TINNED)	OTTONE (BRASS)	2-293041-2
		NUDO (PLAIN)	OTTONE (BRASS)	2-293041-1
		PRE-STAGNATO (PRE-TINNED)	OTTONE (BRASS)	7-293041-2
		PRE-STAGNATO (PRE-TINNED)	OTTONE (BRASS)	1-293041-2
		NUDO (PLAIN)	OTTONE (BRASS)	1-293041-1
		PRE-STAGNATO (PRE-TINNED)	OTTONE (BRASS)	6-293041-2
		NUDO (PLAIN)	OTTONE (BRASS)	6-293041-1
		PRE-STAGNATO (PRE-TINNED)	OTTONE (BRASS)	0-293041-2
		NUDO (PLAIN)	OTTONE (BRASS)	0-293041-1

1) STATO DI FORNITURA (SUPPLY CONDITION, Scala 1:1)



SENSO DI USCITA DEL TERMINALE DALLA BOBINA (DIRECTION OFF TOP OF REEL)



2) BOBINATO SU BOBINA 12" CON CARTA INTERPOSTA (REELED ON 12" CARTON TYPE REEL WITH INTERLEAVE PAPER STRIP)

3) SPLICING STRIP PRODUCT BY SPOT WELDING PERMITTED

- VERSIONI CON FORO (VERSION WITH HOLE)
- REELED WITHOUT INTERLEAVE PAPER
- NEW PNs WITH NEW Q'TY ADDED

THIS DRAWING IS A CONTROLLED DOCUMENT.		DWN 04 JUL 2005 H. Yaali
DIMENSIONS: mm		CHK G. Turco
TOLERANCES UNLESS OTHERWISE SPECIFIED:		APVD
0 PLC ±-	1 PLC ±0.3	PRODUCT SPEC 108-20020
2 PLC ±-	3 PLC ±-	APPLICATION SPEC 114-20119
4 PLC ±-	ANGLES ±2°	WEIGHT -
FINISH	SEE TABLE	
MATERIAL	SEE TABLE	
DIAM. ISOLANTE (INS. DIA. RANGE) Ø2.3 mm MAX		
RANGO FILO (WIRE RANGE) 0.35-1.00 mm ²		

Customer Drawing

SCALE 5:1 SHEET 1 OF 1 REV C2

TE Connectivity

FASTIN-FASTON Connector, 6.3 mm SR. TAB CONTACT

SIZE A3 CAGE CODE 00779 DRAWING NO C-293041 RESTRICTED TO -