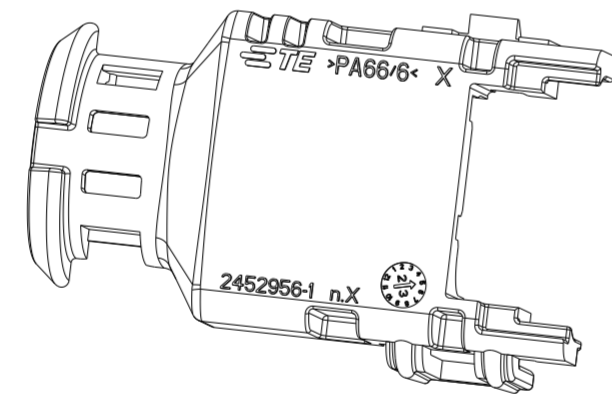
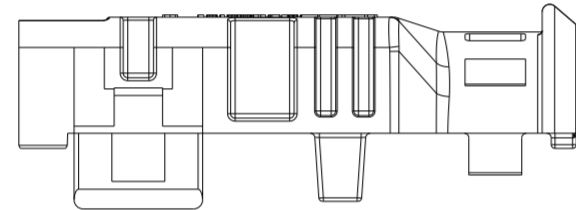
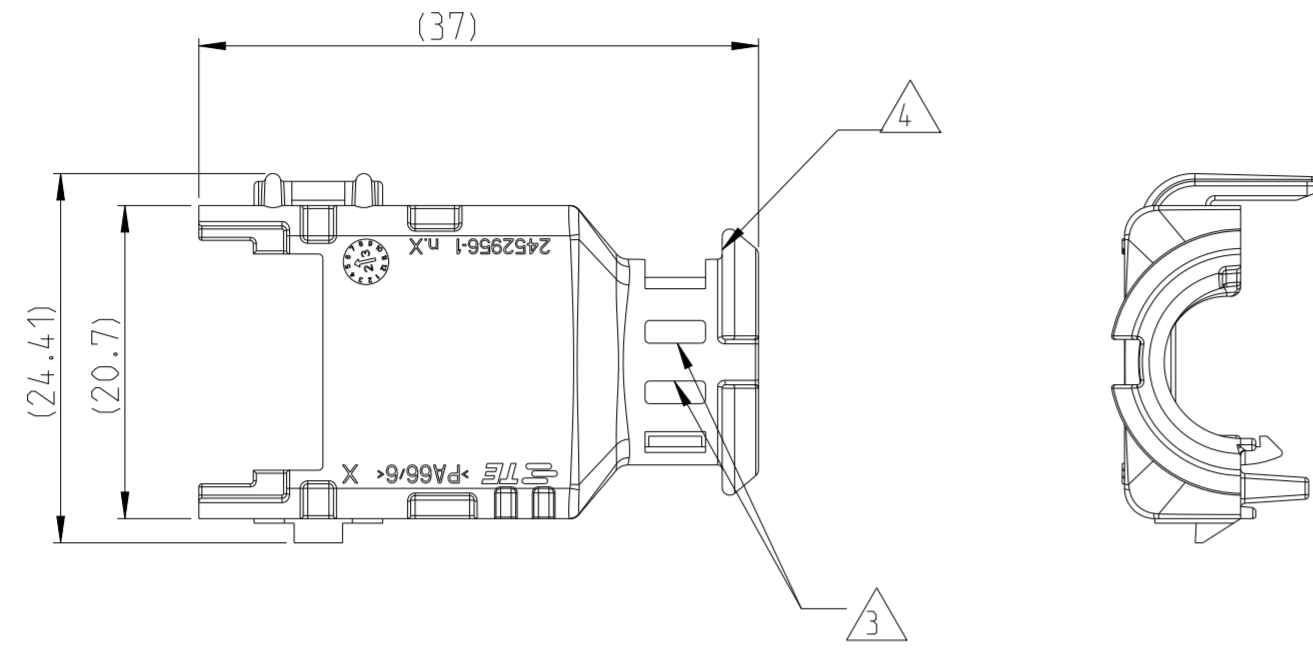
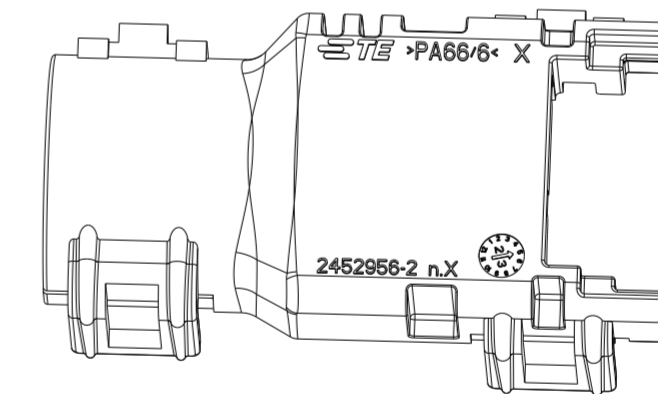
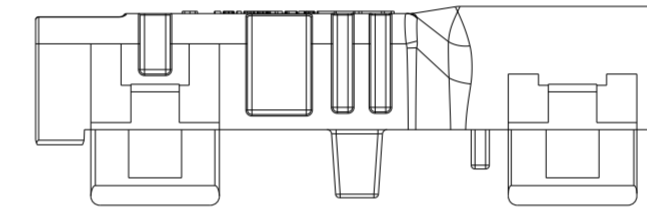
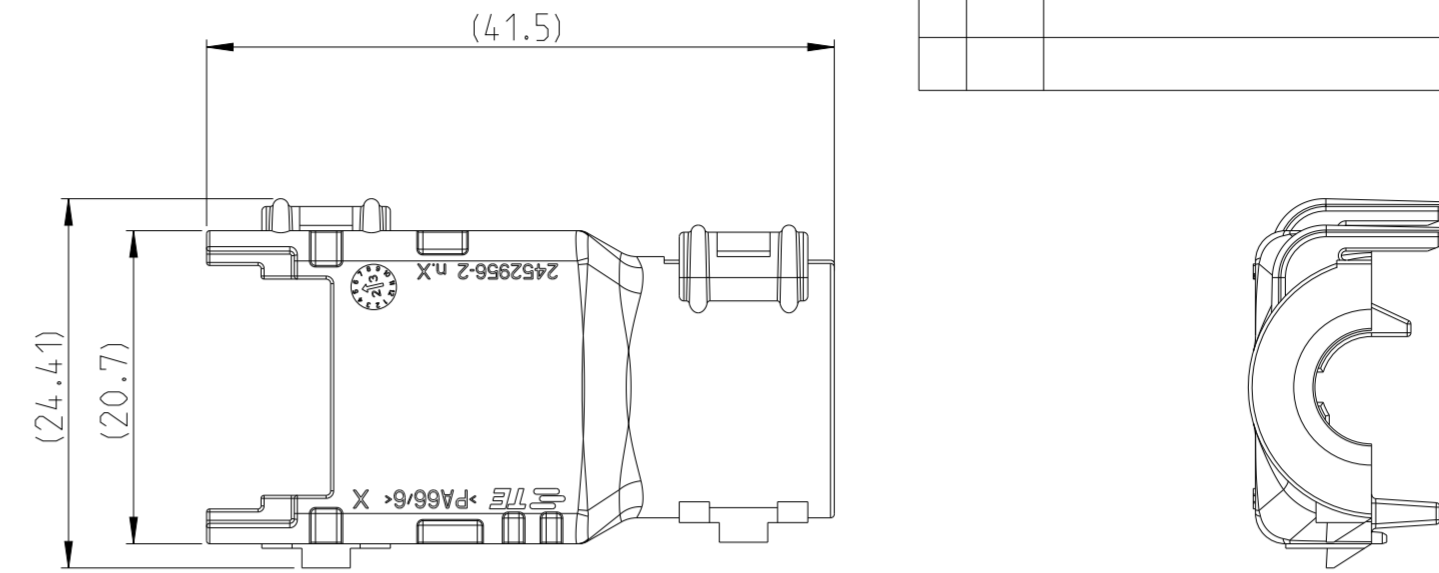


REVISIONS				
P	LTR	DESCRIPTION	DATE	APVD
A		INITIAL RELEASE	25AUG2023	D.Z
A1		ADD 108 & 114 SPEC NUMBER (ECN-25-346096)	28SEP2025	M.C



2452956-1 (SMOOTH)
VIEW SHOW



2452956-2(NW 7.5)
VIEW SHOW

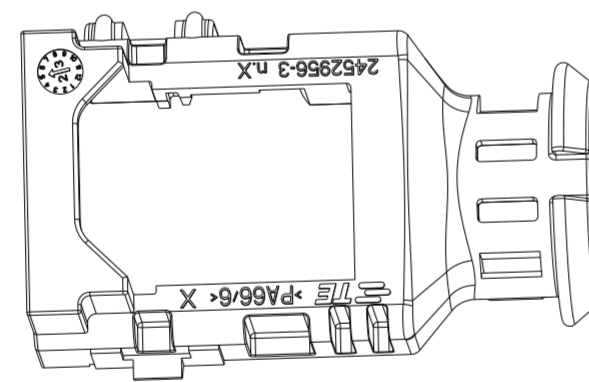
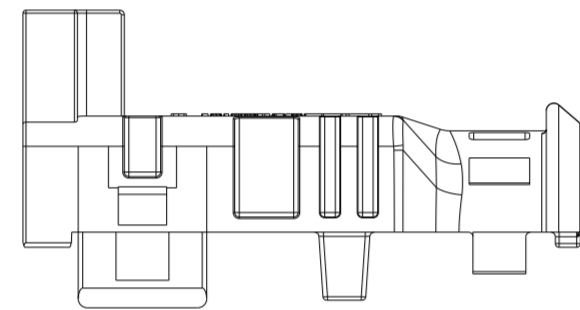
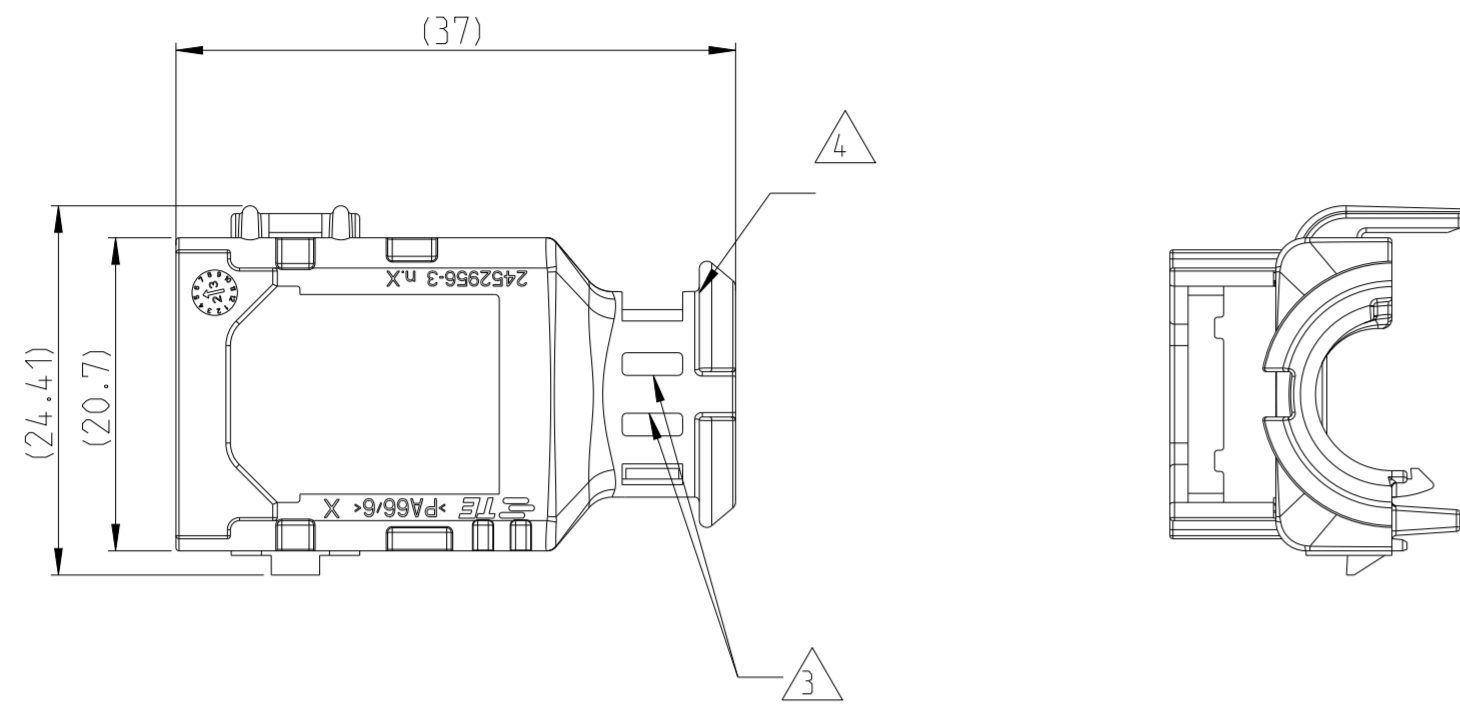
Notes:

- ① MATERIAL : NYLON MOLDING COMPOUND,BLACK PA66/6.
- 2. BACK-SHELL DESIGN SUCH THAT TWO HALVES ATTACH TO ONE ANOTHER AND CLAMP AROUND THE CONNERTOR COVER.
- ③ 4mm WIDE SLOTS FOR TIE WRAO TO SECURE HARNESS WIRES (ONLY FOR 2452956-1 & 2452956-3)
- ④ HEAT SHRINK TUBING RETENTION FEATURE(ONLY FOR 2452956-1 & 2452956-3)
- 5. CONDUIT PROFILE: NORMAL ONLY

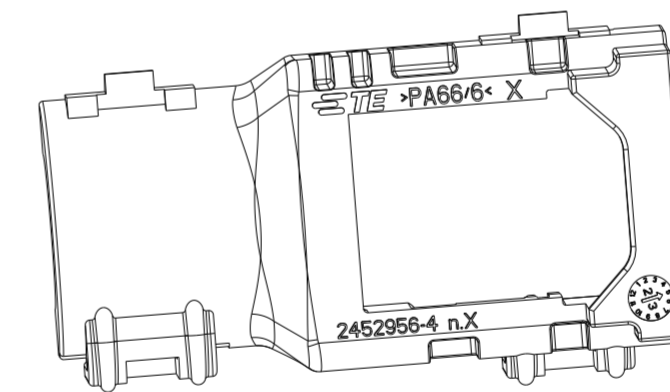
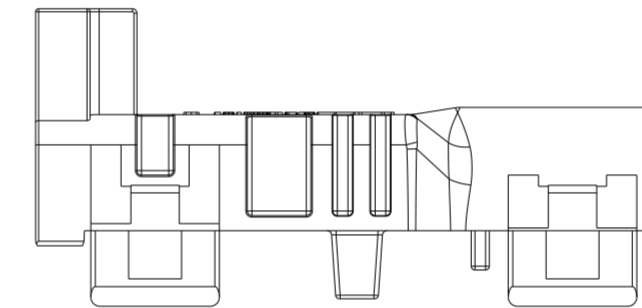
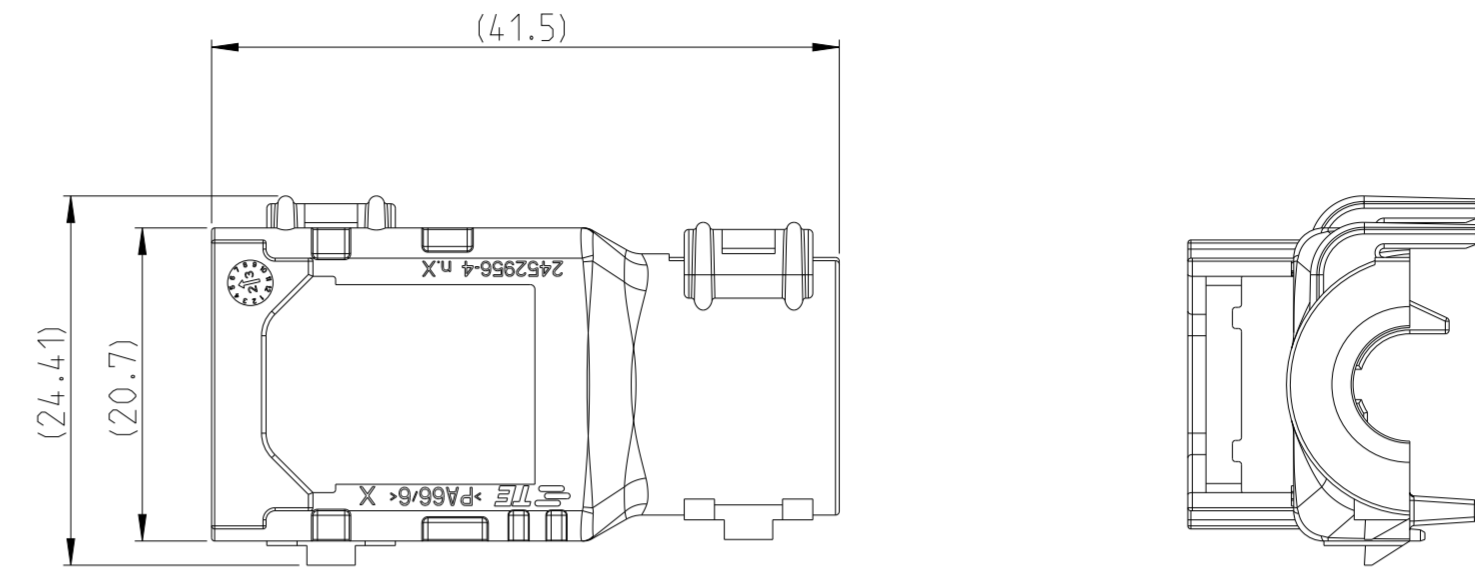
2.989	NW08	NW 7.5	2452956-2
2.217	SMOOTH	SMOOTH	2452956-1
WEIGHT(g)	CORRUGATE NC	CORRUGATE NW	PART NUMBER

THIS DRAWING IS A CONTROLLED DOCUMENT.		DWN D.Zou 12APR2023	STE TE Connectivity	
DIMENSIONS: mm		CHK M.Chen 12APR2023		
TOLERANCES UNLESS OTHERWISE SPECIFIED:		APVD Z.Zhou 12APR2023	NAME BACK-SHELL KIT,1 POSTION, AMPSEAL 16	
0 PLC ±		PRODUCT SPEC 108-161236	SIZE -	
1 PLC ±0.5		APPLICATION SPEC 114-160843	CAGE CODE A200779	DRAWING NO C-2452956
2 PLC ±0.45		WEIGHT SEE TABLE	RESTRICTED TO -	
3 PLC ±		CUSTOMER DRAWING	SCALE 2:1	SHEET 1 OF 3
4 PLC ±			REV A1	
ANGLES ±				
FINISH				
①				

P	LTR	DESCRIPTION	DATE	DWN	APVD
-		SEE SHEET 1			




2452956-3 (SMOOTH)
VIEW SHOW



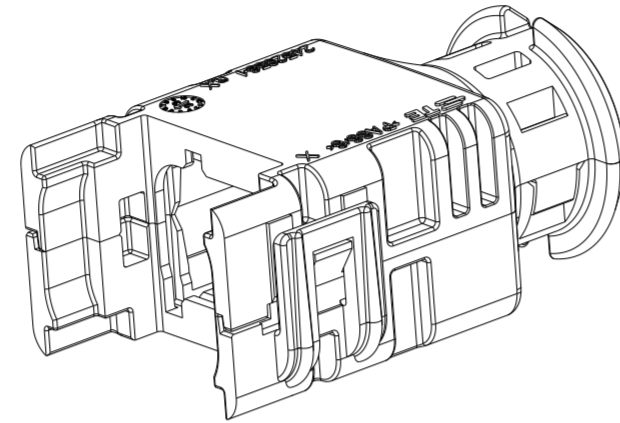
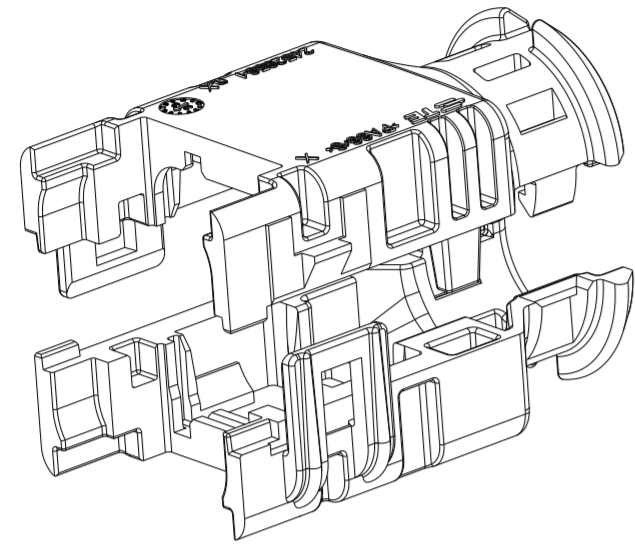
2452956-4 (NW 7.5)
VIEW SHOW

2.860	NC08	NW 7.5	2452956-4
2.088	SMOOTH	SMOOTH	2452956-3
WEIGHT(g)	CORRUGATE NC	CORRUGATE NW	PART NUMBER

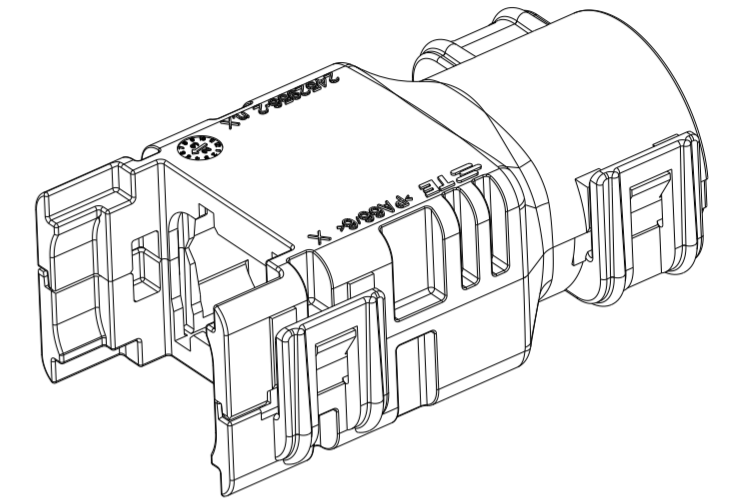
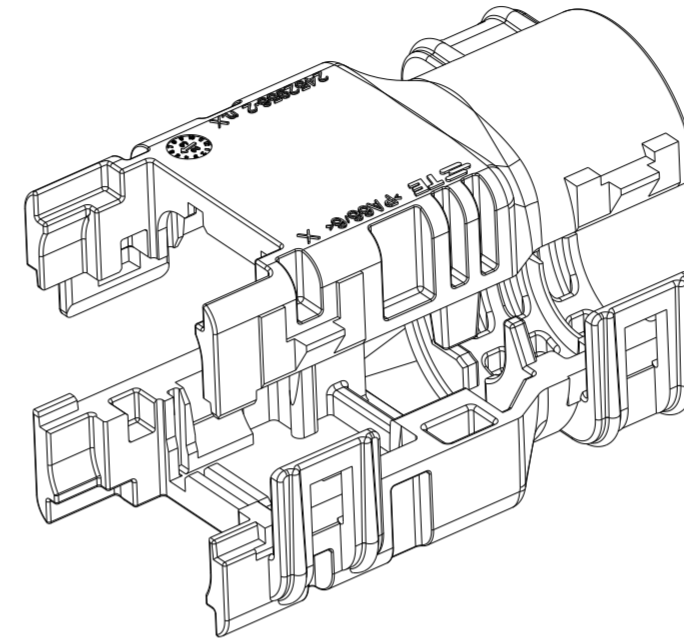
THIS DRAWING IS A CONTROLLED DOCUMENT.		DWN D.Zou 12APR2023	 TE Connectivity		
DIMENSIONS:		CHK M.Chen 12APR2023			
mm		APVD Z.Zhou 12APR2023			
TOLERANCES UNLESS OTHERWISE SPECIFIED: 0 PLC ± 1 PLC ±0.5 2 PLC ±0.45 3 PLC ±0 4 PLC ±0 ANGLES ± FINISH -		PRODUCT SPEC 108-161236	NAME BACK-SHELL KIT,1 POSTION, AMPSEAL 16		
MATERIAL 1		APPLICATION SPEC 114-160843	SIZE A2	CAGE CODE 00779	DRAWING NO C-2452956
		WEIGHT SEE TABLE	RESTRICTED TO -	SCALE 2:1	SHEET 2 OF 3
		CUSTOMER DRAWING	REV A1		

REVISIONS

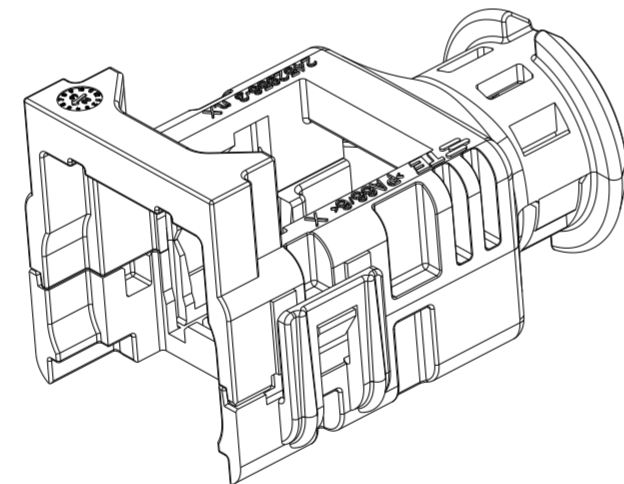
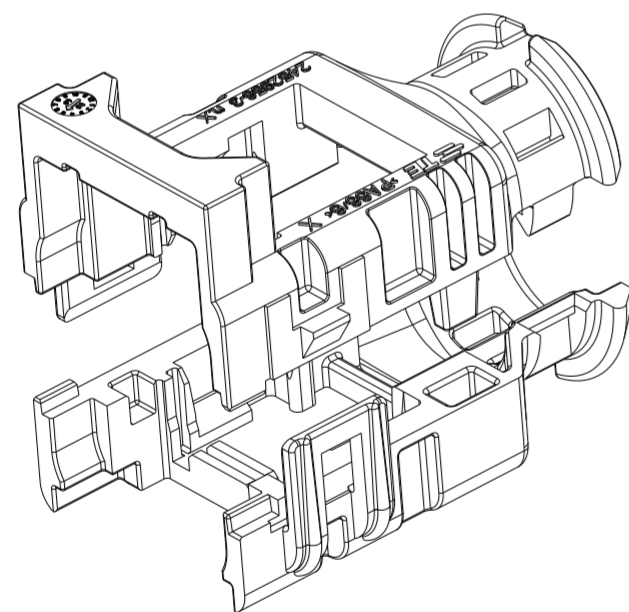
P	LTR	DESCRIPTION	DATE	DWN	APVD
-		SEE SHEET 1			



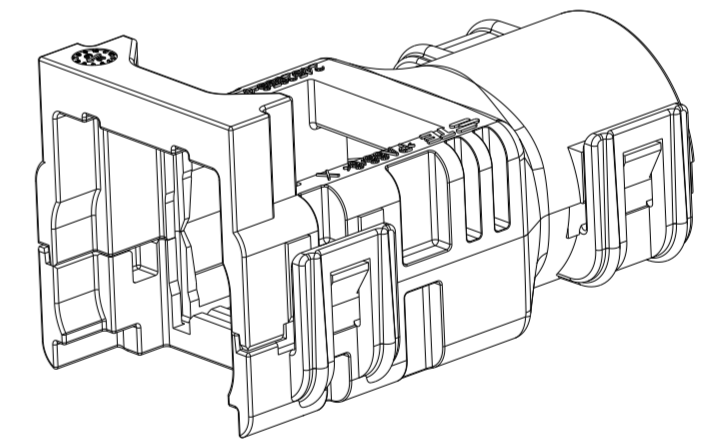
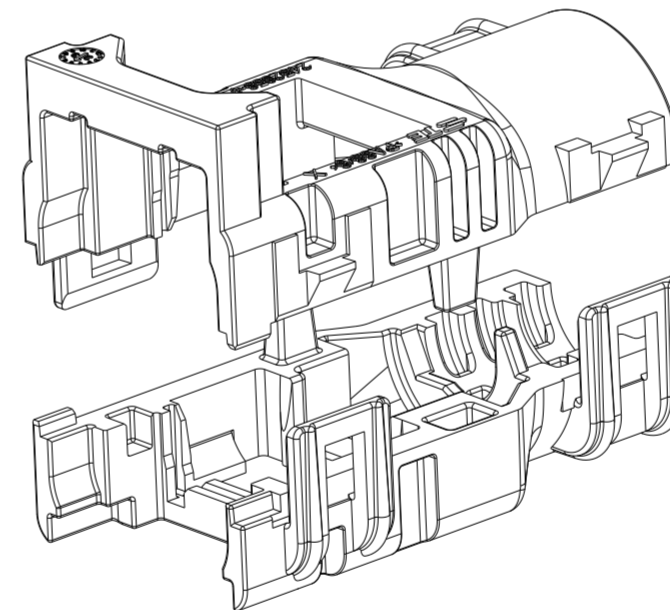
SMOOTH ASSEMBLED(FOR 1P CAP/FLANGE)
ISOMERTIC VIEW SHOW




NW 7.5 ASSEMBLED(FOR 1P CAP/FLANGE)
ISOMERTIC VIEW SHOW



SMOOTH ASSEMBLED(FOR 1P PLUG)
ISOMERTIC VIEW SHOW



NW 7.5 ASSEMBLED(FOR 1P PLUG)
ISOMERTIC VIEW SHOW

THIS DRAWING IS A CONTROLLED DOCUMENT.		DWN	D.Zou	12APR2023	 TE Connectivity																										
DIMENSIONS:		CHK	M.Chen	12APR2023																											
mm	TOLERANCES UNLESS OTHERWISE SPECIFIED:	APVD	Z.Zhou	12APR2023																											
<table border="1"> <tr> <td>0 PLC</td> <td>±</td> <td>-</td> </tr> <tr> <td>1 PLC</td> <td>±</td> <td>0.5</td> </tr> <tr> <td>2 PLC</td> <td>±</td> <td>0.45</td> </tr> <tr> <td>3 PLC</td> <td>±</td> <td>-</td> </tr> <tr> <td>4 PLC</td> <td>±</td> <td>-</td> </tr> <tr> <td>ANGLES</td> <td>±</td> <td>-</td> </tr> <tr> <td>FINISH</td> <td>-</td> <td>-</td> </tr> </table>	0 PLC	±	-	1 PLC		±	0.5	2 PLC	±	0.45	3 PLC	±	-	4 PLC	±	-	ANGLES	±	-	FINISH	-	-	<table border="1"> <tr> <td>PRODUCT SPEC</td> <td>108-161236</td> </tr> <tr> <td>APPLICATION SPEC</td> <td>114-160843</td> </tr> <tr> <td>WEIGHT</td> <td>-</td> </tr> </table>	PRODUCT SPEC	108-161236	APPLICATION SPEC	114-160843	WEIGHT	-	NAME	BACK-SHELL KIT,1 POSTION, AMPSEAL 16
0 PLC	±	-																													
1 PLC	±	0.5																													
2 PLC	±	0.45																													
3 PLC	±	-																													
4 PLC	±	-																													
ANGLES	±	-																													
FINISH	-	-																													
PRODUCT SPEC	108-161236																														
APPLICATION SPEC	114-160843																														
WEIGHT	-																														
MATERIAL	-	SIZE	A2	CAGE CODE	00779																										
		DRAWING NO	2452956		RESTRICTED TO																										
		CUSTOMER DRAWING	SCALE	2:1	SHEET 3 OF 3																										
					REV A1																										