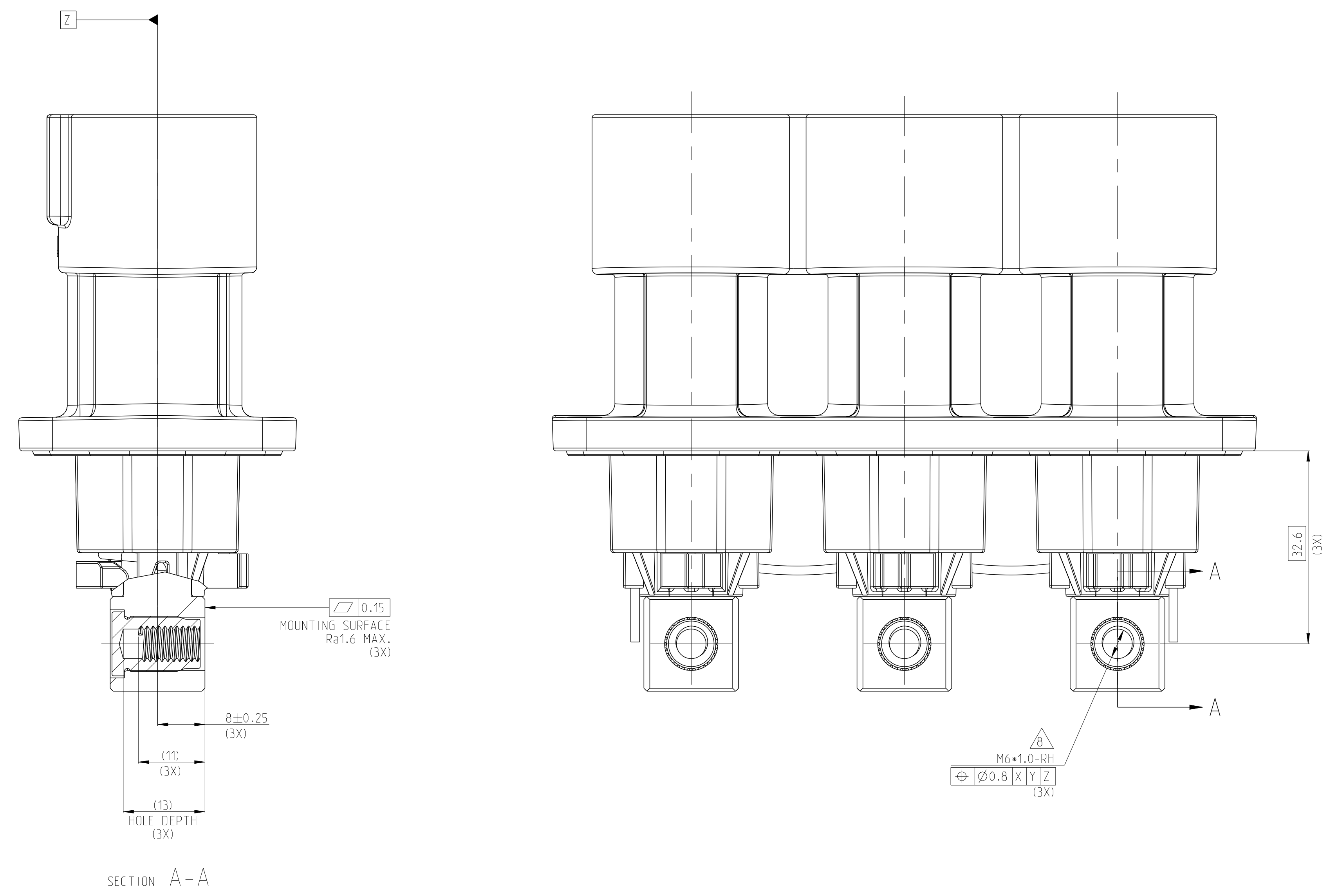
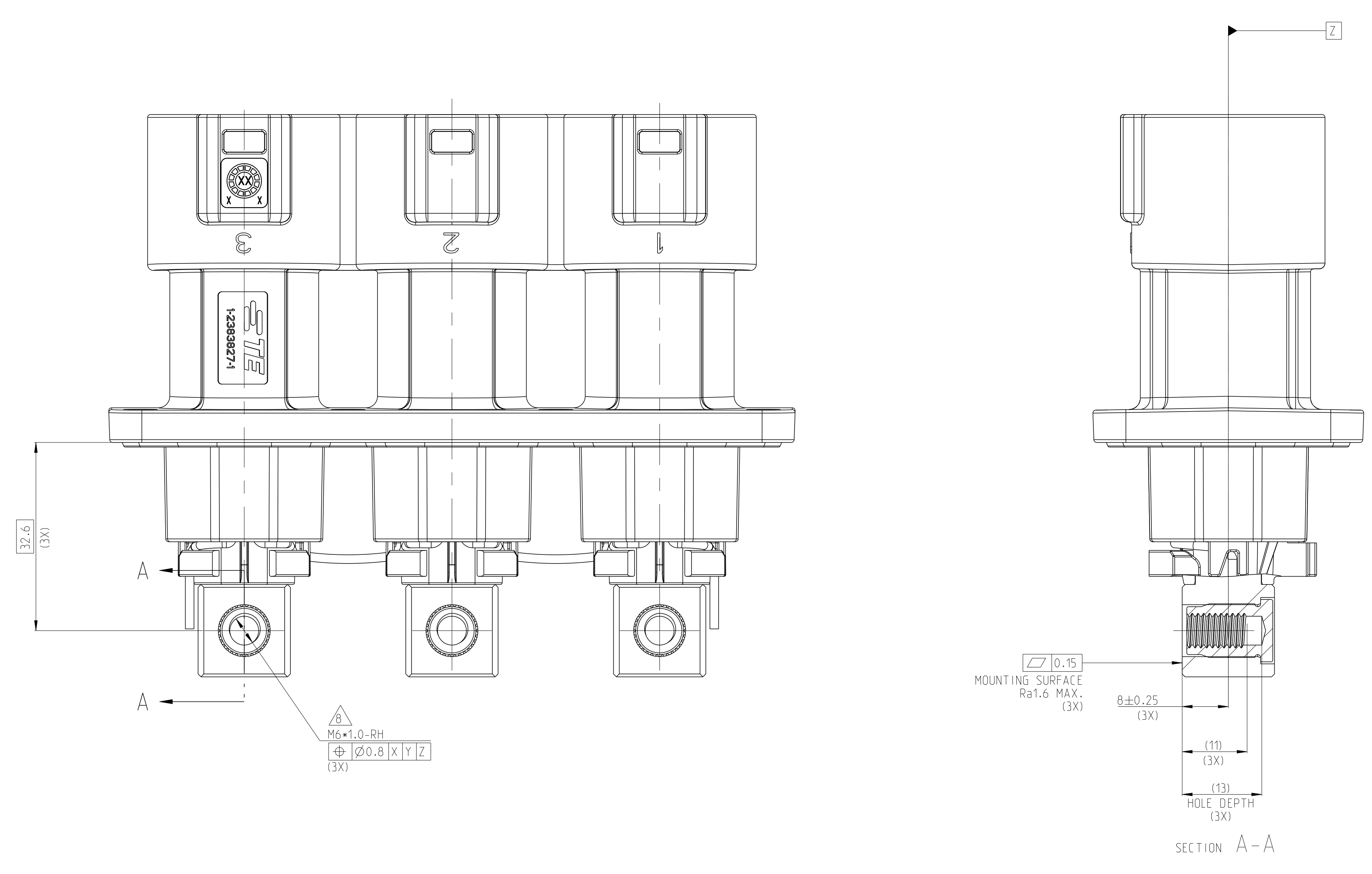


REVISIONS			
REV	DATE	BY	APPD
-	-	-	-
-	-	-	-



1. MISSING DIMENSIONS REFER TO 2-2394062-1



1. MISSING DIMENSIONS REFER TO 2-2394062-1

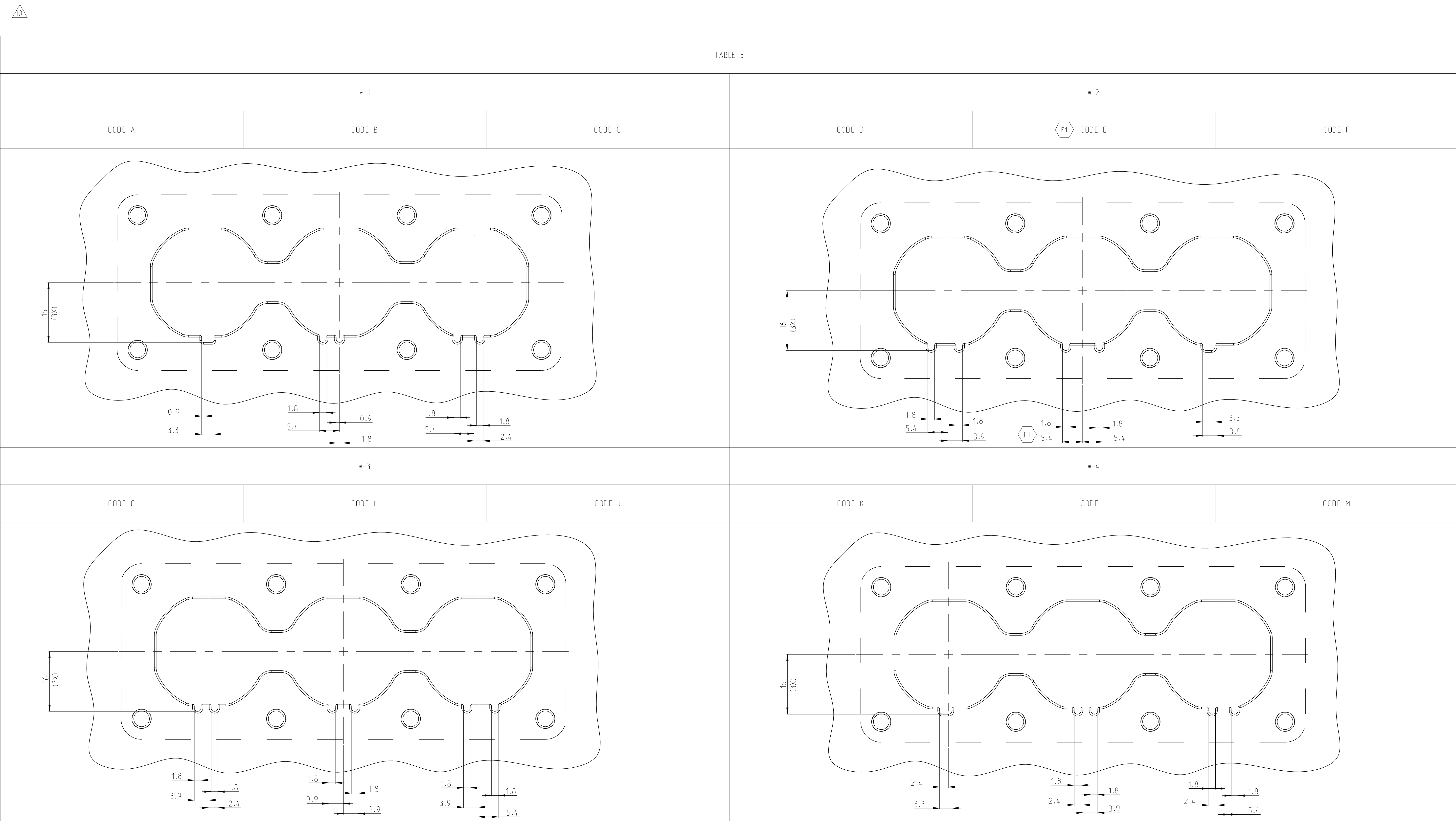
TE-ASSY-NO.	TE REV.	CODE	DESCRIPTION	DESCRIPTION	CODE	MATERIAL	SURFACE COLOR / TREATMENT	WEIGHT (g)	QTY	ITEM
2394062-4	E	K/L/M	3POS.PIN DIA 10.0 HDR ASSY.180DEG	CODE HOUSING	M	PA10T-GF	AQUA RED	(4.10)	1	10
				CODE HOUSING	L	PA10T-GF	AQUA BROWN		1	9
				CODE HOUSING	K	PA10T-GF	AQUA GREEN		1	8
				FOLLOW 2394062-1	-	-	-		-	1-7
2394062-3	E	G/H/J	3POS.PIN DIA 10.0 HDR ASSY.180DEG	CODE HOUSING	J	PA10T-GF	ORANGE	(4.10)	1	10
				CODE HOUSING	H	PA10T-GF	YELLOW		1	9
				CODE HOUSING	G	PA10T-GF	RED		1	8
				FOLLOW 2394062-1	-	-	-		-	1-7
2394062-2	E	D/E/F	3POS.PIN DIA 10.0 HDR ASSY.180DEG	CODE HOUSING	F	PA10T-GF	BROWN	(4.10)	1	10
				CODE HOUSING	E	PA10T-GF	GREEN		1	9
				CODE HOUSING	D	PA10T-GF	PURPLE		1	8
				FOLLOW 2394062-1	-	-	-		-	1-7
2394062-1	E	A/B/C	3POS.PIN DIA 10.0 HDR ASSY.180DEG	CODE HOUSING	C	PA10T-GF	BLUE	(4.10)	1	10
				CODE HOUSING	B	PA10T-GF	NATURE		1	9
				CODE HOUSING	A	PA10T-GF	BLACK		1	8
				HVIL WIRE 1 (LEONI MOCAR 180 E 0.5SQMM, WHITE ACCORDING TO LV112) WITH TERMINAL	-	-	-		2	7
				HVIL WIRE 2 (LEONI MOCAR 180 E 0.5SQMM, WHITE ACCORDING TO LV112) WITH TERMINAL	-	-	-		2	6
				FACE SEAL	-	SILICONE	RED		1	5
				BUSBAR,FRONT SIDE	-	COPPER	Ag PLATED		3	4
				HEADER TPA	-	PA66-GF	RED		3	3
				FINGER PROTECTION CAP	-	PA66	BLACK		3	2
				HEADER HOUSING 180DEG.3POS	-	AL-ALLOY	PASSIVATION		1	1

TE-ASSY-NO.	TE REV.	CODE	DESCRIPTION	DESCRIPTION	CODE	MATERIAL	SURFACE COLOR / TREATMENT	WEIGHT (g)	QTY	ITEM
1-2394062-4	E	K/L/M	3POS.PIN DIA 10.0 HDR ASSY.180DEG	CODE HOUSING	M	PA10T-GF	AQUA RED	(4.10)	1	10
				CODE HOUSING	L	PA10T-GF	AQUA BROWN		1	9
				CODE HOUSING	K	PA10T-GF	AQUA GREEN		1	8
				FOLLOW 1-2394062-1	-	-	-		-	1-7
1-2394062-3	E	G/H/J	3POS.PIN DIA 10.0 HDR ASSY.180DEG	CODE HOUSING	J	PA10T-GF	ORANGE	(4.10)	1	10
				CODE HOUSING	H	PA10T-GF	YELLOW		1	9
				CODE HOUSING	G	PA10T-GF	RED		1	8
				FOLLOW 1-2394062-1	-	-	-		-	1-7
1-2394062-2	E	D/E/F	3POS.PIN DIA 10.0 HDR ASSY.180DEG	CODE HOUSING	F	PA10T-GF	BROWN	(4.10)	1	10
				CODE HOUSING	E	PA10T-GF	GREEN		1	9
				CODE HOUSING	D	PA10T-GF	PURPLE		1	8
				FOLLOW 1-2394062-1	-	-	-		-	1-7
1-2394062-1	E	A/B/C	3POS.PIN DIA 10.0 HDR ASSY.180DEG	CODE HOUSING	C	PA10T-GF	BLUE	(4.10)	1	10
				CODE HOUSING	B	PA10T-GF	NATURE		1	9
				CODE HOUSING	A	PA10T-GF	BLACK		1	8
				HVIL WIRE 1 (LEONI MOCAR 180 E 0.5SQMM, WHITE ACCORDING TO LV112) WITH TERMINAL	-	-	-		2	7
				HVIL WIRE 2 (LEONI MOCAR 180 E 0.5SQMM, WHITE ACCORDING TO LV112) WITH TERMINAL	-	-	-		2	6
				FACE SEAL	-	SILICONE	RED		1	5
				BUSBAR,FRONT SIDE	-	COPPER	Ag PLATED		3	4
				HEADER TPA	-	PA66-GF	RED		3	3
				FINGER PROTECTION CAP	-	PA66	BLACK		3	2
				HEADER HOUSING 180DEG.3POS	-	AL-ALLOY	PASSIVATION		1	1

THIS DRAWING IS A CONTROLLED DOCUMENT. DATE: 30AUG2021. DIMENSIONS: SEE TABLE. MATERIAL: SEE TABLE. CUSTOMER DRAWING. SCALE: 2:1. SHEET: 2 OF 4. REV: F1.

TE Connectivity
 3POS.PIN DIA 10.0 HDR ASSY.180DEG
 HVP-HD1000
 00779 ©2394062

REVISIONS			
REV	DATE	BY	APPD
-	SEE SHEET 1	-	-



THIS DRAWING IS A CONTROLLED DOCUMENT.

DATE: 30AUG2021	BY: D.L.L.	CHK: L.L.	APPROV: 30AUG2021
DATE: 30AUG2021	BY: J.V.N.	CHK: J.V.N.	APPROV: 30AUG2021

DIMENSIONS: UNLESS OTHERWISE SPECIFIED, DIMENSIONS ARE IN MILLIMETERS.
 TOLERANCES: 1. P.C. ±0.25 2. P.C. ±0.15 3. P.C. ±0.10 4. P.C. ±0.050
 FINISH: UNLESS OTHERWISE SPECIFIED, SURFACE FINISH SHALL BE AS SHOWN.

NAME: 3POS. PIN DIA 10.0 HDR ASSY. 180DEG HVP-HD1000
 PRODUCT SPEC: 108-160341
 APPLICATION SPEC: 114-160181
 WEIGHT: SEE TABLE
 CUSTOMER DRAWING: A0 00779 ©=2394062

SCALE: 2:1 SHEET 6 OF 4 REV F 1