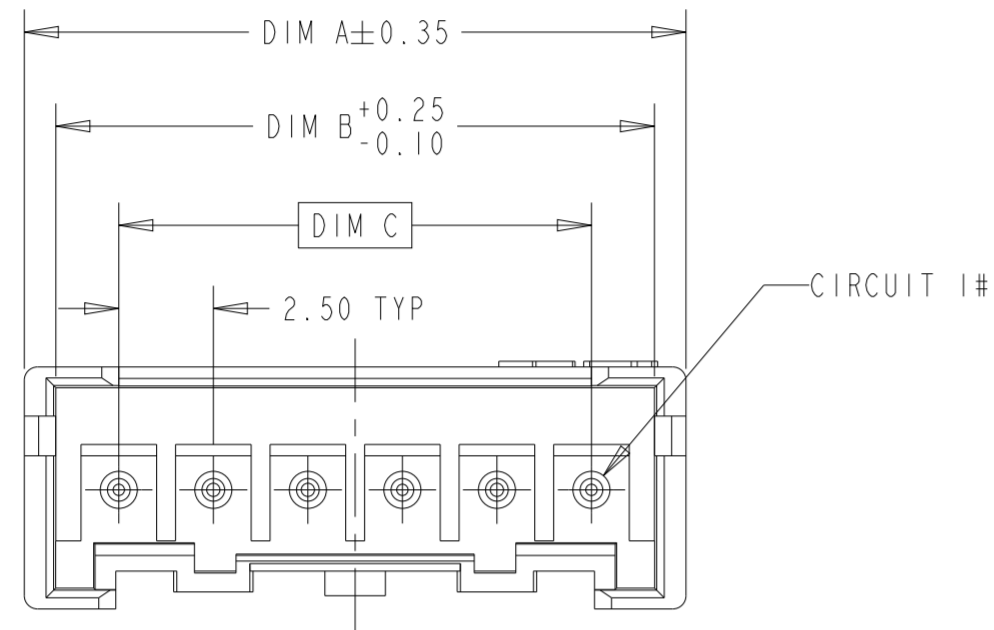
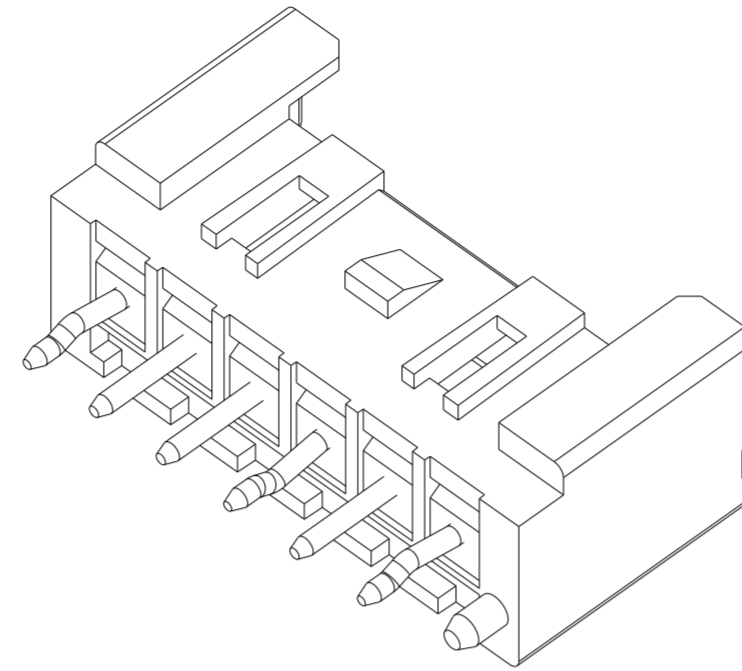
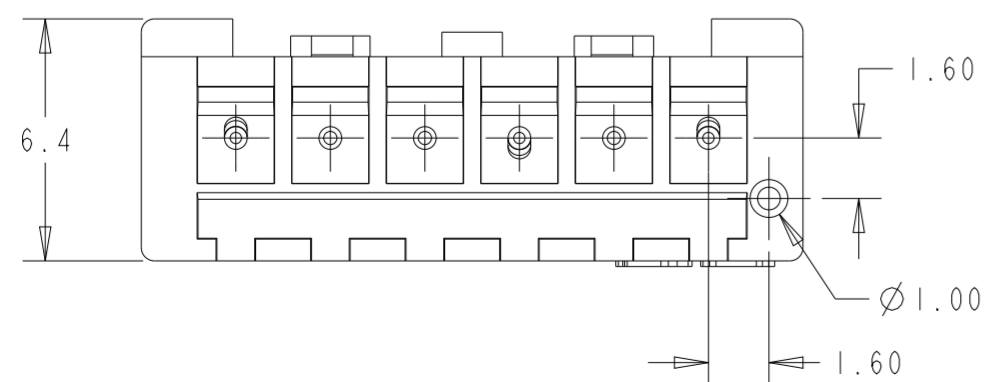
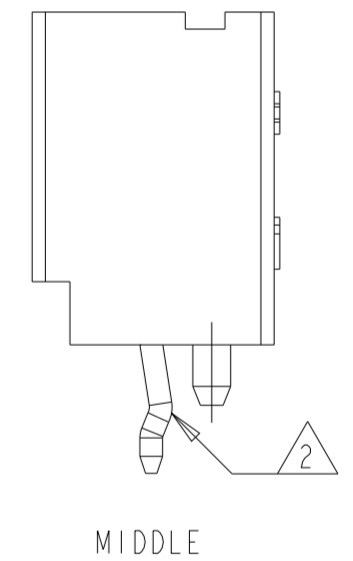
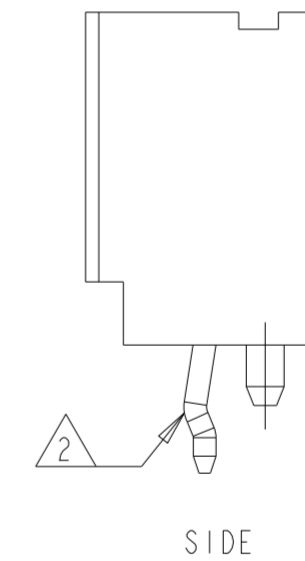
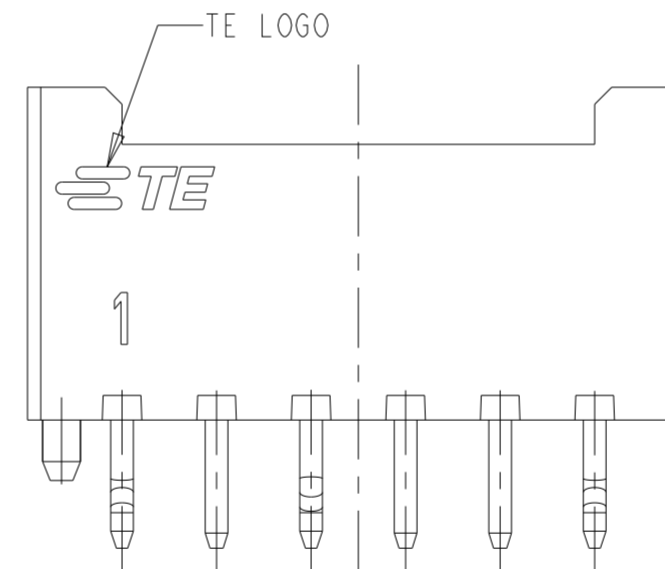
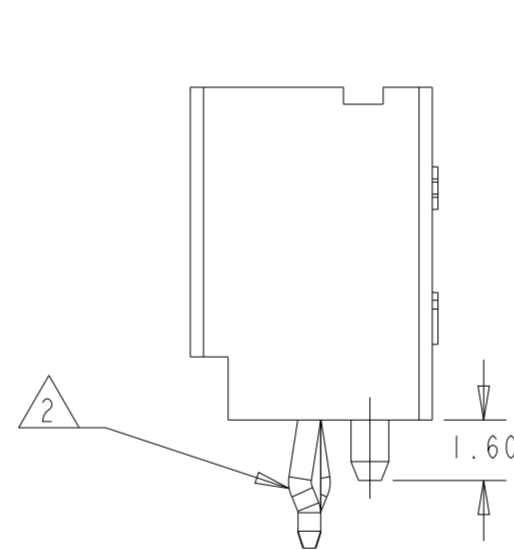
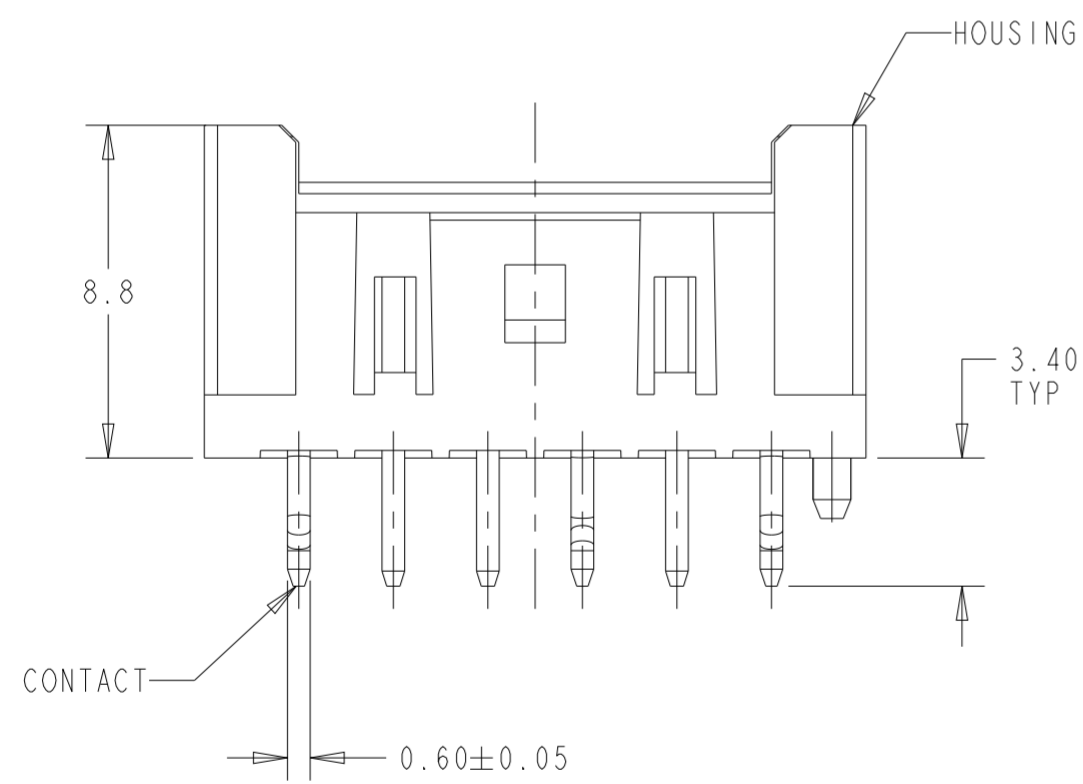


P	LTR	DESCRIPTION	DATE	DWN	APVD
A		REVISED PER ECN-23-216719	08JUN2023	WH	LC

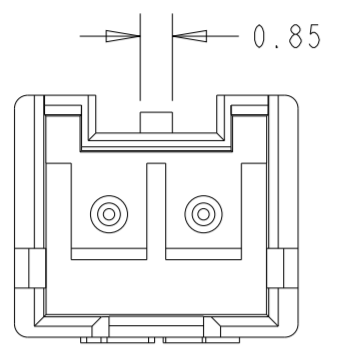


- 1 MATERIAL: HOUSING: PBT,UL94 V-0,COLOR:NATURAL.
TERMINAL: BRASS,2.0µm MIN TIN OVER 1.25µm MIN NICKEL OVERALL.
- 2 CONTACT SOLDER TAIL KINK DIRECTION(BOARLOCK) SEE BELOW TABLE.
- 3. RECOMMENDED MATING PART:2391828-[]
- 4. PACKAGING: LOOSE PIECE

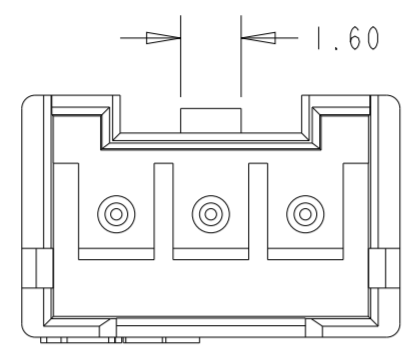


THIS DRAWING IS A CONTROLLED DOCUMENT.		DWN W. HUO	28 JUN 2022	TE Connectivity	
DIMENSIONS: mm		CHK L. CHEN	29 JUN 2022		
TOLERANCES UNLESS OTHERWISE SPECIFIED:		APVD D. ZHANG	30 JUN 2022	NAME HEADER ASSEMBLY, WITH BOSS VERTICAL, 2.5mm CENTERLINE ECONOMY POWER	
0 PLC ± 1 PLC ±0.4 2 PLC ±0.25 3 PLC ± 4 PLC ± ANGLES ±3° FINISH -		PRODUCT SPEC 108-2418	APPLICATION SPEC 114-13315	SIZE A2	CAGE CODE 00779
MATERIAL		WEIGHT -	CUSTOMER DRAWING	DRAWING NO C-2393678	RESTRICTED TO -
				SCALE N/A	SHEET 1 OF 2
				REV A	

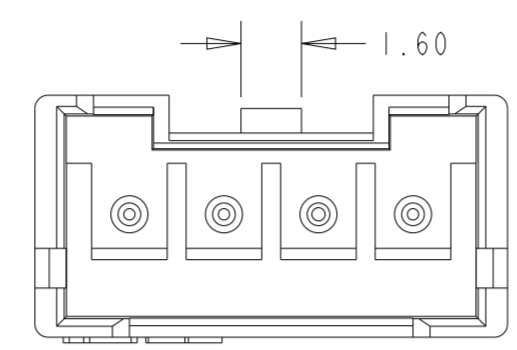
REVISIONS				
P	LTR	DESCRIPTION	DATE	APVD
-	-	SEE SHEET 1	-	-



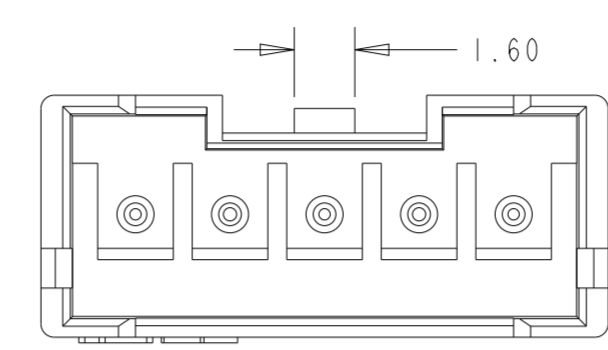
2 POSITION



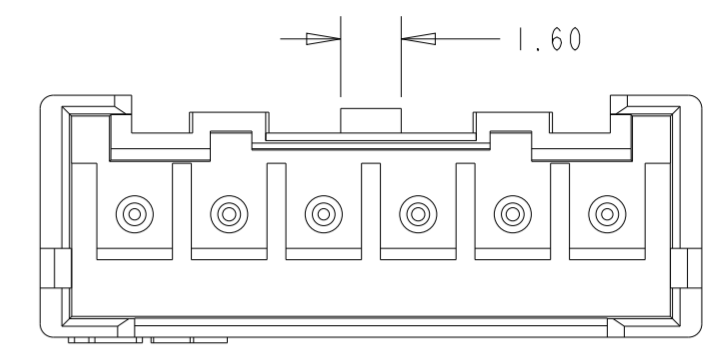
3 POSITION



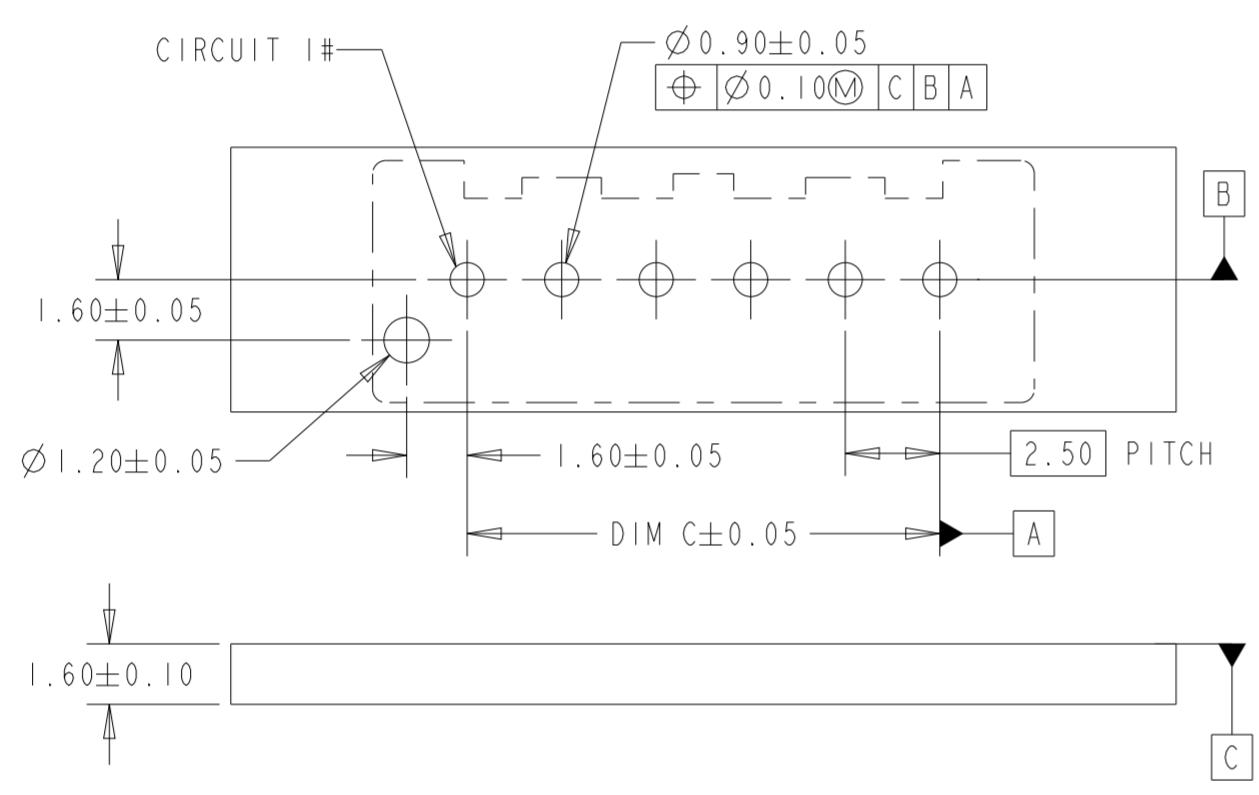
4 POSITION



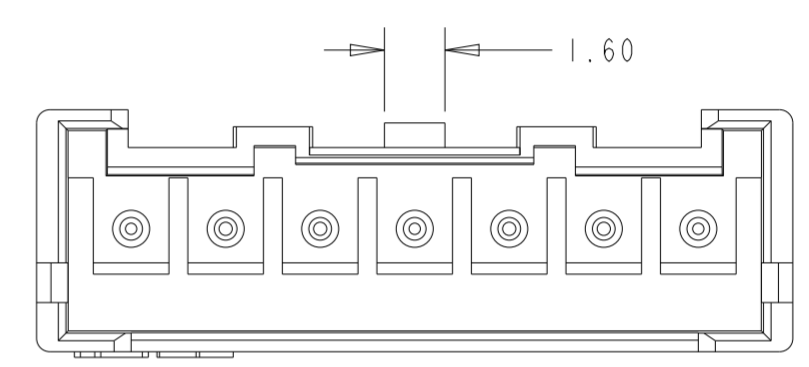
5 POSITION



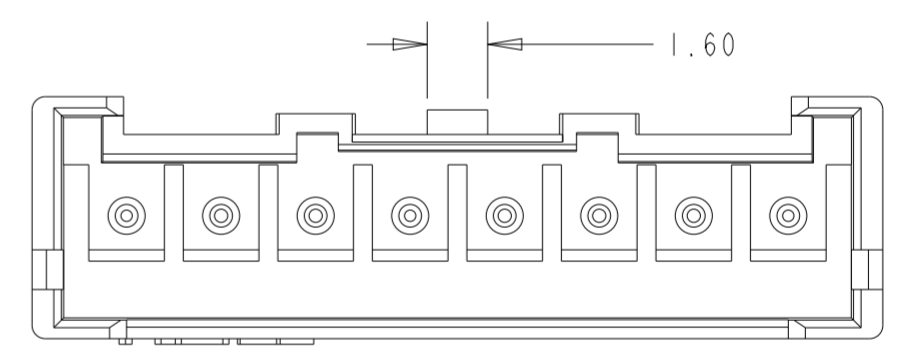
6 POSITION



RECOMMENDED PCB LAYOUT



7 POSITION



8 POSITION

<p>● KINK PIN</p> <p>○ NO KINK</p>	● ●	2P
	● ● ●	3P
	● ○ ● ●	4P
	● ○ ● ○ ●	5P
	● ○ ○ ● ○ ●	6P
	● ○ ○ ● ○ ○ ●	7P
	● ○ ○ ○ ● ○ ○ ●	8P
		8 7 6 5 4 3 2 1

17.5	20.83	22.5	8	2393678-8
15.0	18.33	20.0	7	2393678-7
12.5	15.83	17.5	6	2393678-6
10.0	13.33	15.0	5	2393678-5
7.5	10.83	12.5	4	2393678-4
5.0	8.33	10.0	3	2393678-3
2.5	5.83	7.5	2	2393678-2
DIM C	DIM B	DIM A	POS	PART NO

THIS DRAWING IS A CONTROLLED DOCUMENT.

DWN	W. HUO	28 JUN 2022
CHK	L. CHEN	29 JUN 2022
APVD	D. ZHANG	30 JUN 2022

PRODUCT SPEC: 108-2418
APPLICATION SPEC: 114-13315

STE TE Connectivity

NAME: HEADER ASSEMBLY, WITH BOSS VERTICAL, 2.5mm CENTERLINE ECONOMY POWER

SIZE	A2	CAGE CODE	00779	DRAWING NO	C-2393678	RESTRICTED TO	-
SCALE	N/A	SHEET	2 OF 2	REV	A		

CUSTOMER DRAWING