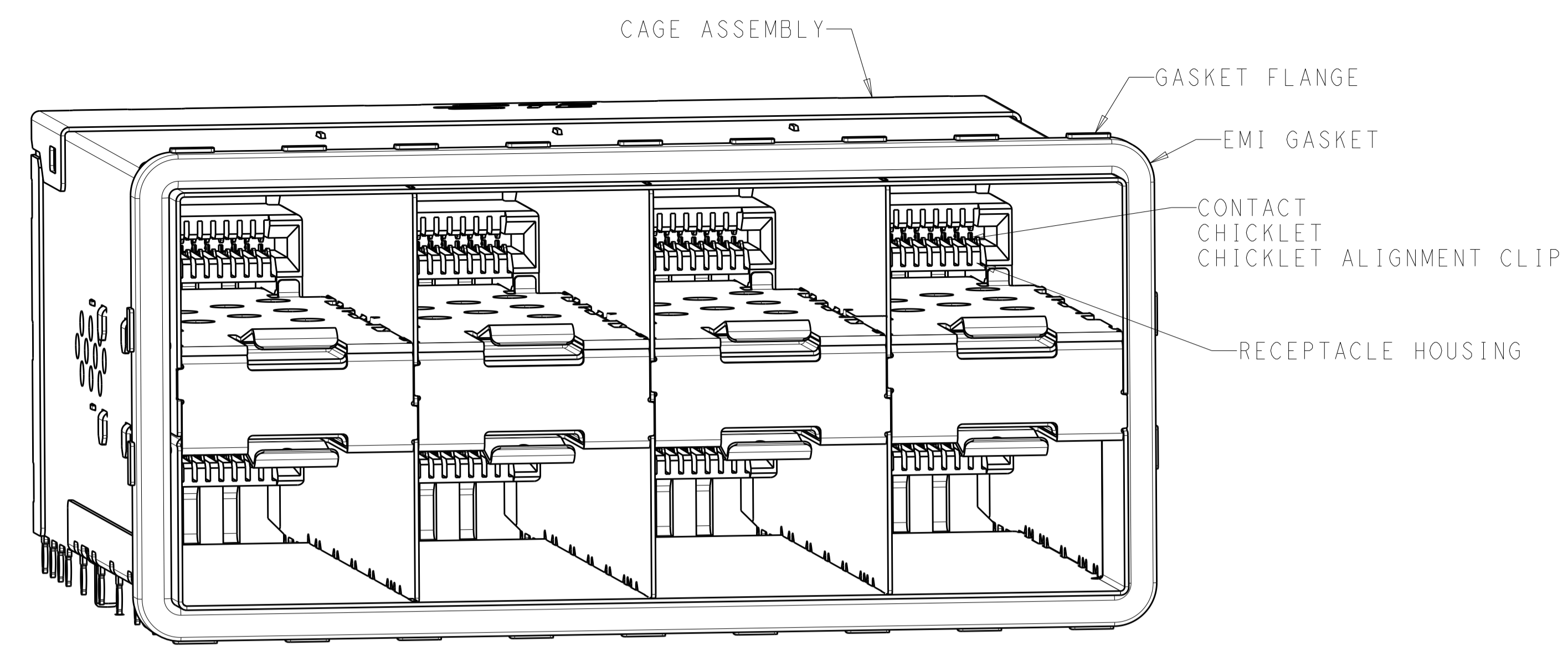
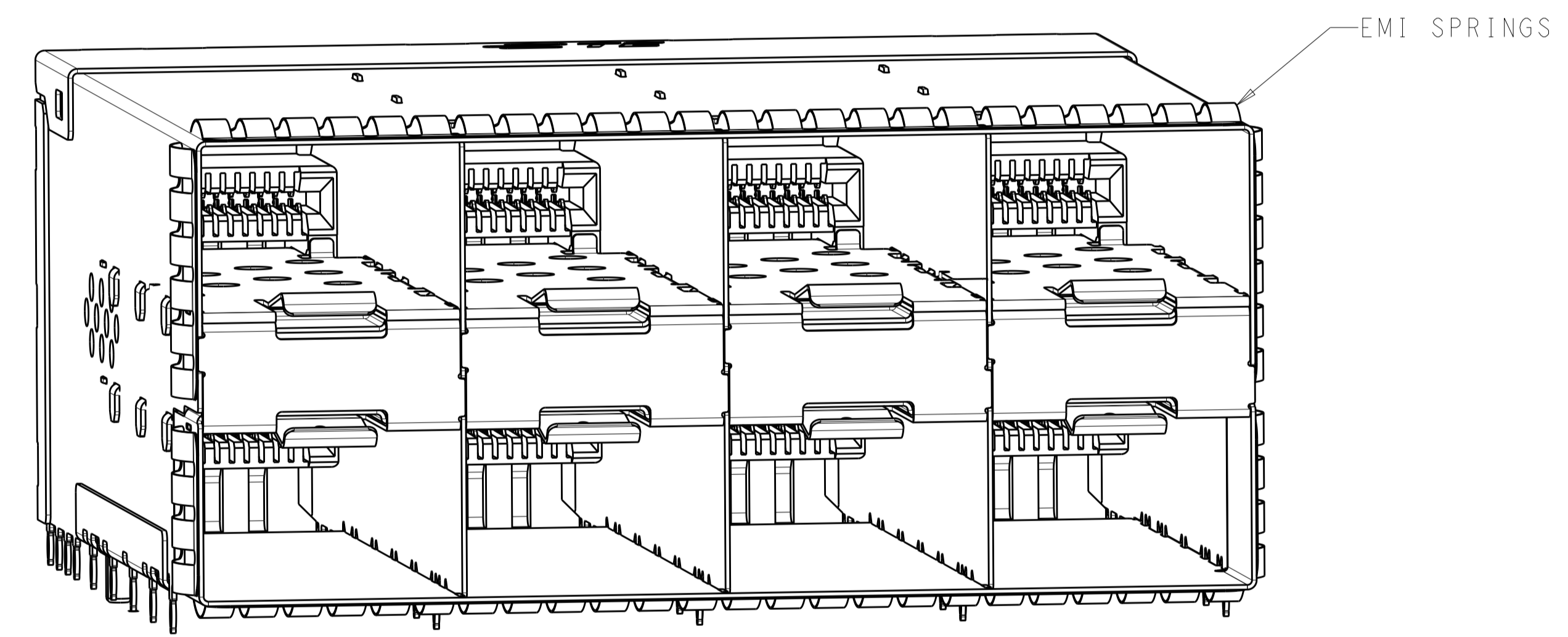


LOC		DIST		REVISIONS			
P	LTN	DESCRIPTION	DATE	DMN	APVD		
A		PRODUCTION RELEASE	05JUN2018	JW	SH		
B		REVISED PER ECO-19-014631	24SEP2019	JY	SH		

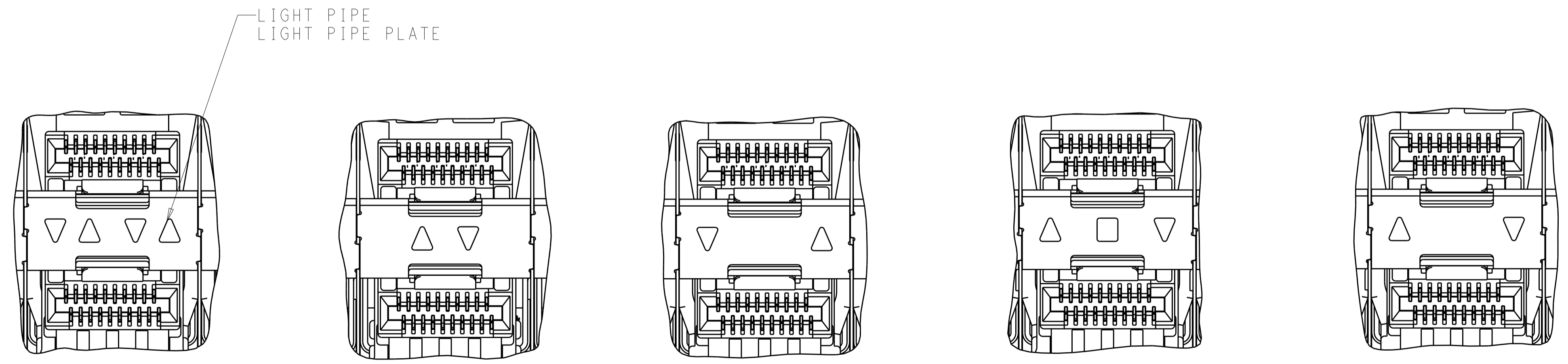


2339978-1
SCALE 4:1



2339978-5
SCALE 4:1

- MATERIALS:
 CAGE ASSEMBLY - NICKEL-SILVER ALLOY PER ASTM B 122
 CONNECTOR HOUSING - LCP, BLACK, UL 94V-O RATED
 CHICKLET - LCP, BLACK, UL 94V-O RATED
 CHICKLET ALIGNMENT CLIP - LCP, BLACK, UL 94V-O RATED
 CONTACT - COPPER ALLOY
 EMI GASKET - ELASTOMERIC
 GASKET FLANGE - STAINLESS STEEL
 EMI SPRINGS - PHOSPHOR BRONZE PER ASTM B 103,
 0.8µm MIN TIN PER ASTM B 545
 LIGHT PIPE - POLYCARBONATE
 INSULATOR TAPE: KAPTON
 LIGHT PIPE PLATE- STAINLESS STEEL
 - CONTACT FINISH:
 CONFORMS TO THE REQUIREMENTS OF PRODUCT SPECIFICATION 108-2481,
 BASED ON EIA/ECA-364-1000.01A, (CONTROLLED ENVIRONMENT
 APPLICATIONS) ON MATING INTERFACE, TIN ON NEEDLE EYE
 - PCB MINIMUM THICKNESS = 1.5mm
- ⚠ FOR HOLE SIZE AND PLATINGS,
 SEE APPLICATION SPECIFICATION 114-13319
- ⚠ LIGHT PIPE PAD LAYOUT IS FOR 0805 LOW PROFILE
 LED PACKAGE WITH A HEIGHT OF 0.8mm
- ⚠ DIMENSIONS APPLY FOR EMI SPRINGS ONLY
- ⚠ THE ENTIRE AREA OF THE CONNECTOR FOOTPRINT, INDICATED BY THE
 DASHED LINE, TO BE CONSIDERED THE KEEPOUT AREA FOR COMPONENTS
 AND SIGNAL TRACES, TOP SIDE ONLY, TOP SIDE TRACES ALLOWED
 WITHIN CONNECTOR HOLE PATTERN



INNER/OUTER LIGHT PIPES
2339978-2, 2339978-6
SCALE 4:1

INNER LIGHT PIPES
2339978-3, 2339978-7
SCALE 4:1

OUTER LIGHT PIPES
2339978-4, 2339978-8
SCALE 4:1

CENTER/REVERSED OUTER
1-2339978-7, 1-2339978-9
SCALE 4:1

REVERSED OUTER LIGHT PIPES
1-2339978-8, 2-2339978-0
SCALE 4:1

59.5	EMI SPRING INSULATOR TAPE AIRFLOW ENHANCE TYPE	NONE	3-2339978-4
59.5	EMI SPRING AIRFLOW ENHANCE TYPE	OUTER	3-2339978-3
59.5	EMI SPRING AIRFLOW ENHANCE TYPE	CENTER/REVERSED OUTER	3-2339978-2
59.5	EMI SPRING AIRFLOW ENHANCE TYPE	NONE	3-2339978-1
62.25	EMI GASKET AIRFLOW ENHANCE TYPE	NONE	3-2339978-0
59.5	EMI SPRINGS	REVERSED OUTER	2-2339978-0
		CENTER/REVERSED OUTER	1-2339978-9
62.25	EMI GASKET	REVERSED OUTER	1-2339978-8
		CENTER/REVERSED OUTER	1-2339978-7
59.5	EMI SPRINGS	OUTER	2339978-8
		INNER	2339978-7
		INNER/OUTER	2339978-6
62.25	EMI GASKET	NONE	2339978-5
		OUTER	2339978-4
		INNER	2339978-3
		INNER/OUTER	2339978-2
		NONE	2339978-1
(E)	CAGE TYPE	LIGHT PIPE CONFIGURATION	PART NUMBER

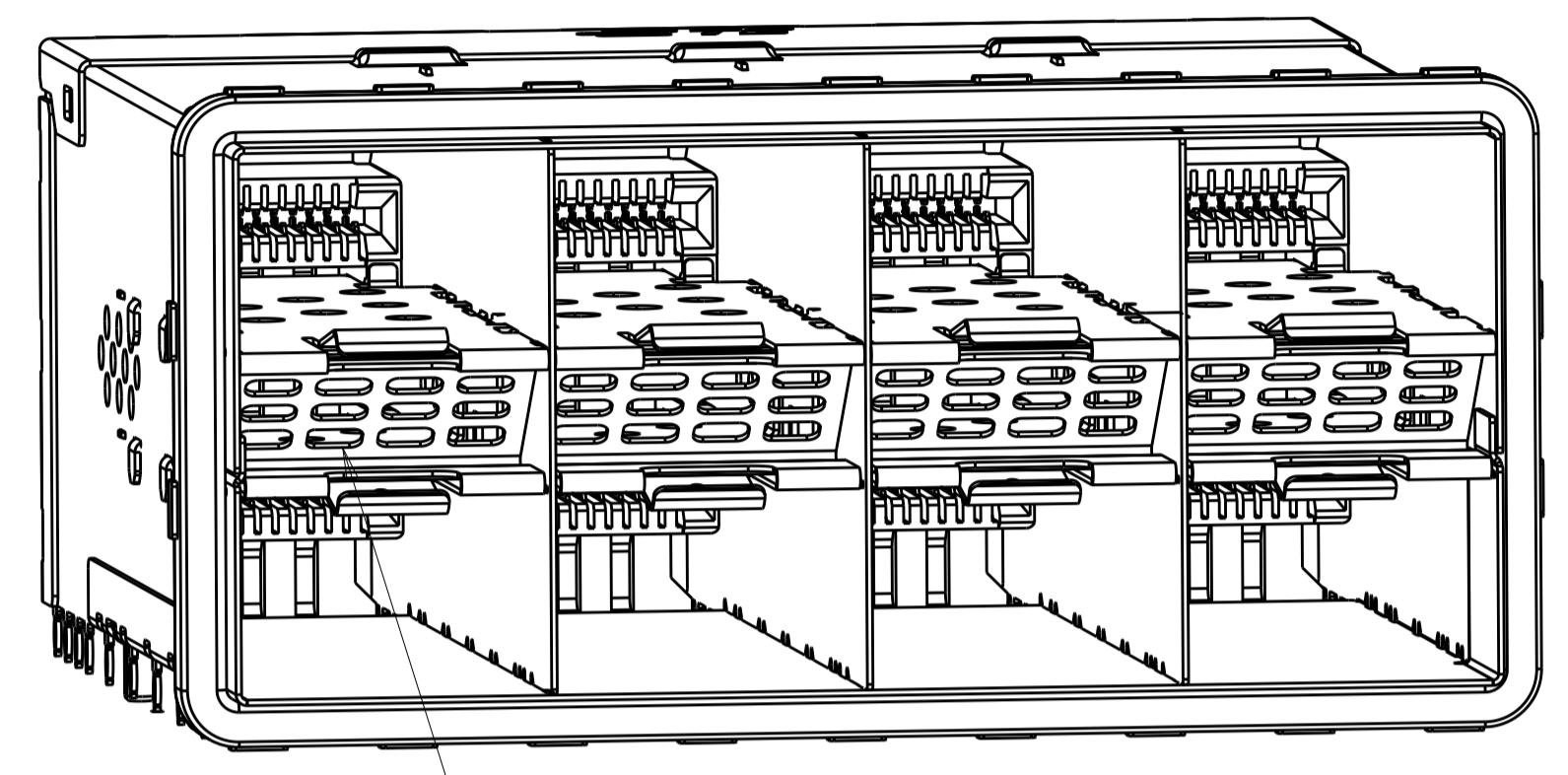
THIS DRAWING IS A CONTROLLED DOCUMENT.

DIMENSIONS:	TOLERANCES UNLESS OTHERWISE SPECIFIED:	DMN J. WANG 17JUL2018	TE Connectivity NAME RECEPTACLE ASSEMBLY, 2X4, STACKED, SFP56 PRODUCT SPEC 108-2481 APPLICATION SPEC 114-13319 SIZE CAGE CODE DRAWING NO A100779C=2339978 RESTRICTED TO SHEET 1 OF 7 REV B
mm	0 PLC ±0.25 1 PLC ±0.25 2 PLC ±0.25 3 PLC ±0.25 4 PLC ±0.25 ANGLES ±°	CHK S. HAN 17JUL2018	
		APVD S. HAN 17JUL2018	
		WEIGHT	

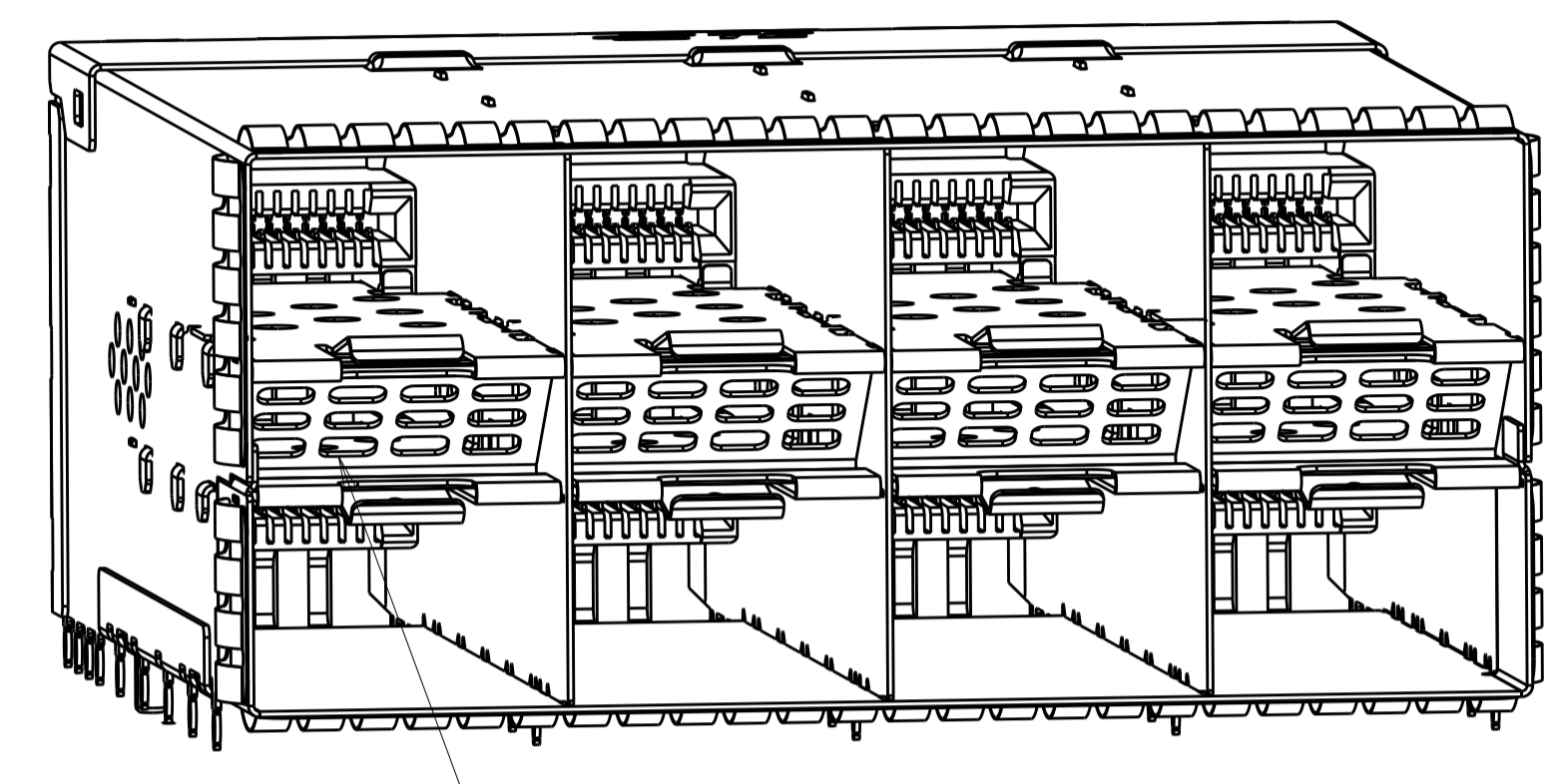
MATERIAL SEE NOTES FINISH SEE NOTES CUSTOMER DRAWING SCALE 4:1

LOC		DIST		REVISIONS			
GP	00	P	LTN	DESCRIPTION	DATE	OWN	APVD
-	-	-	-	SEE SHEET 1	-	-	-

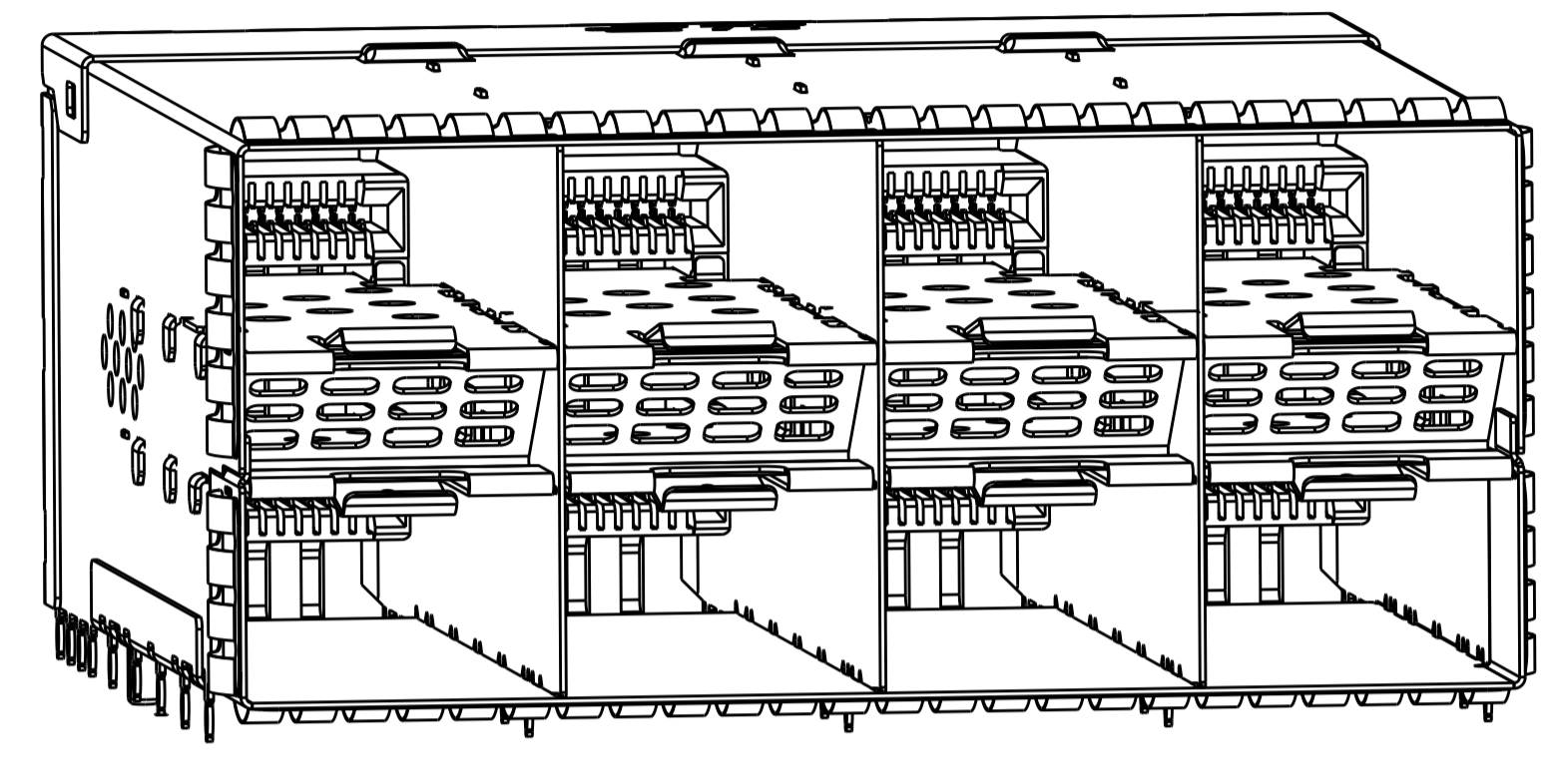
AIRFLOW ENHANCE W/O LP TYPE



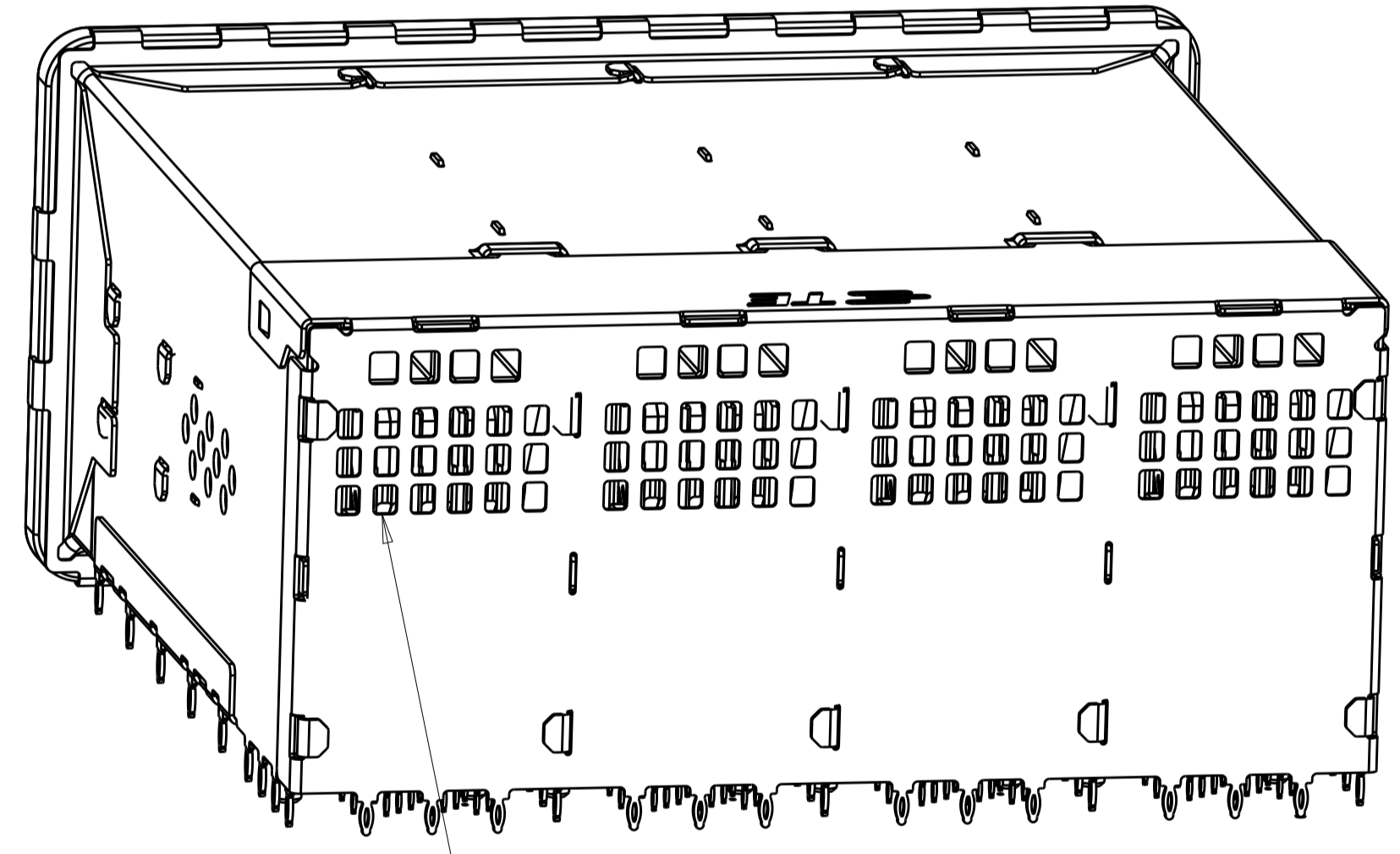
AIR VENTS



AIR VENTS

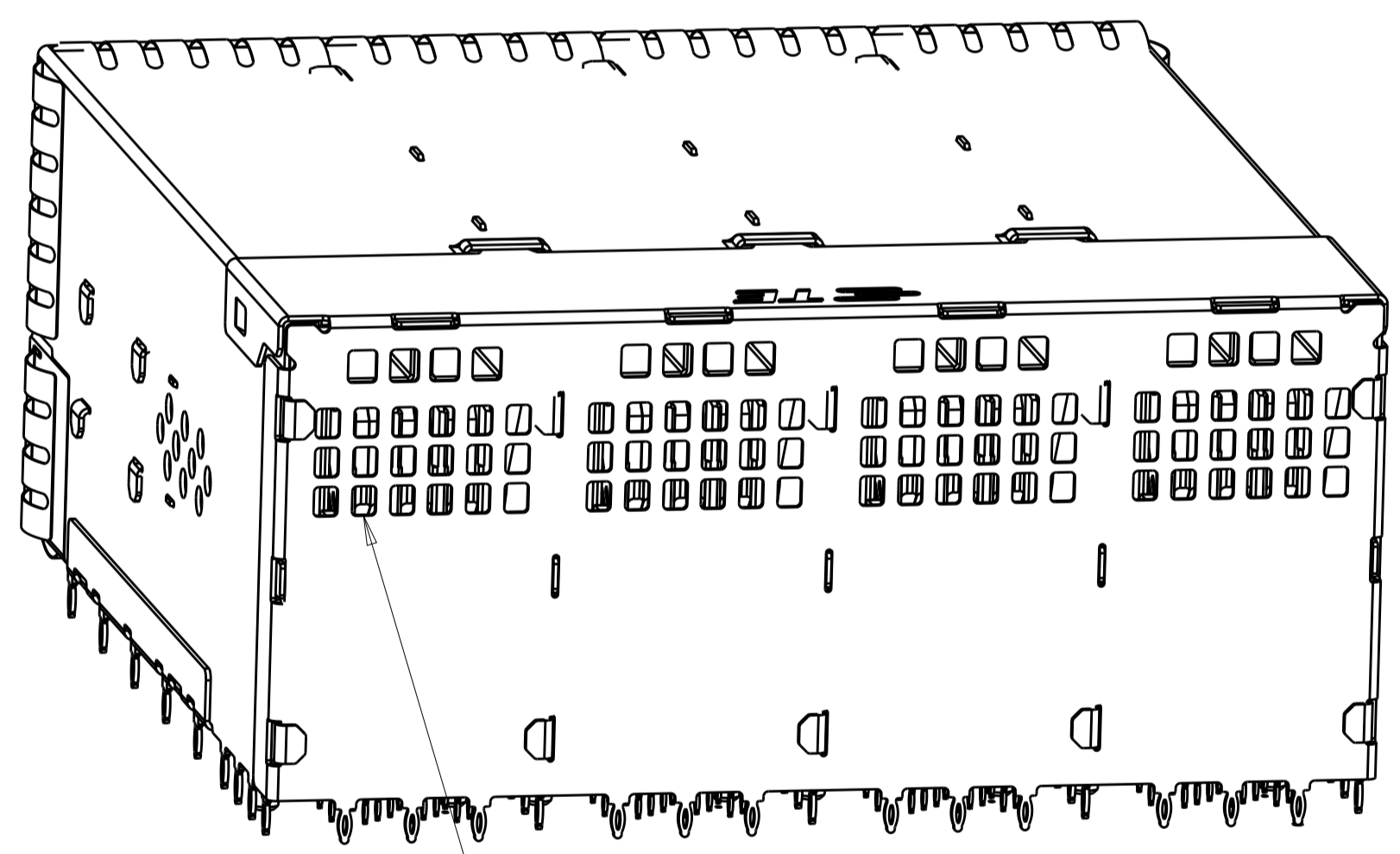


INSULATOR TAPE



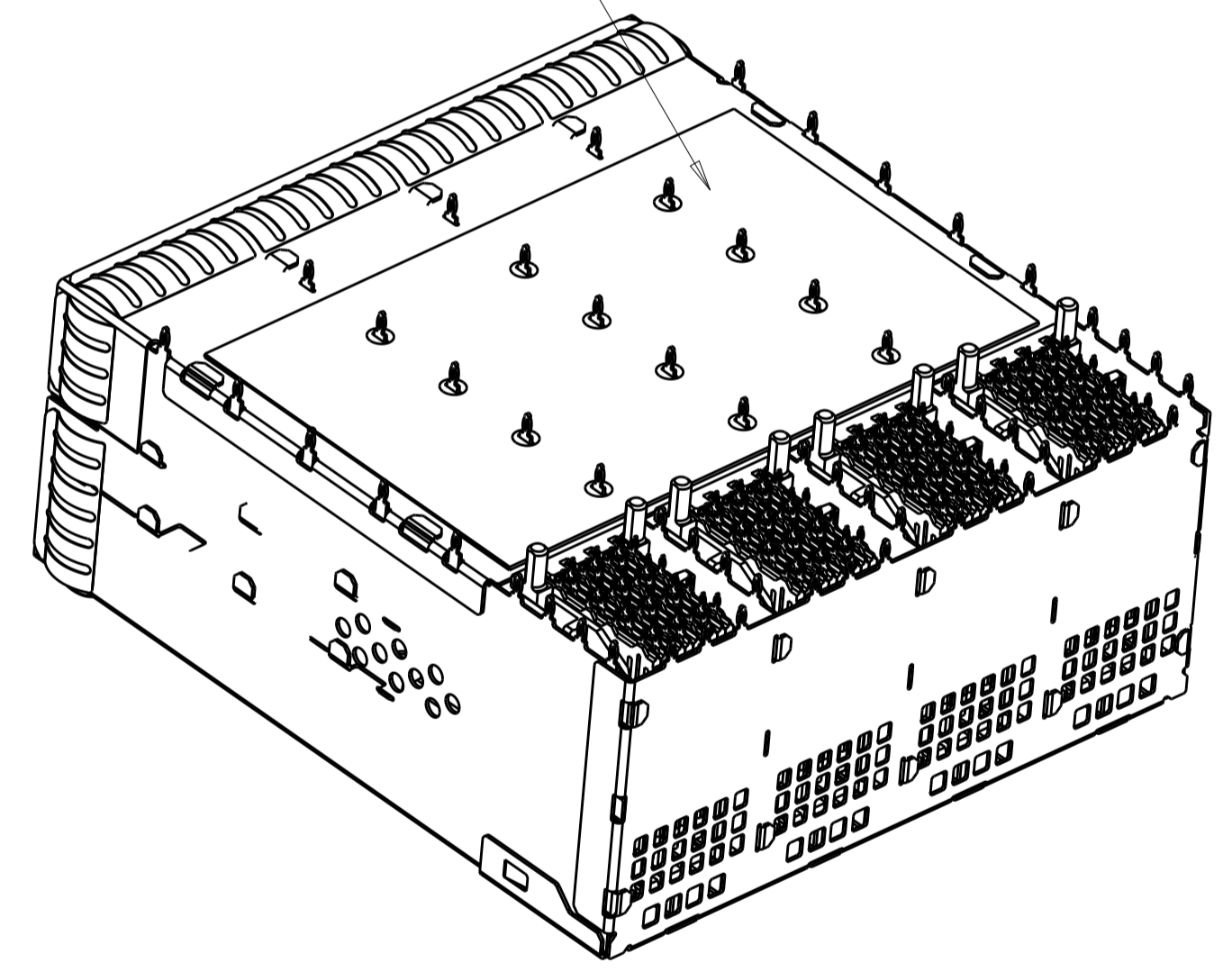
AIR VENTS

3-2339978-0
EMI GASKET TYPE



AIR VENTS

3-2339978-1
EMI SPRING TYPE



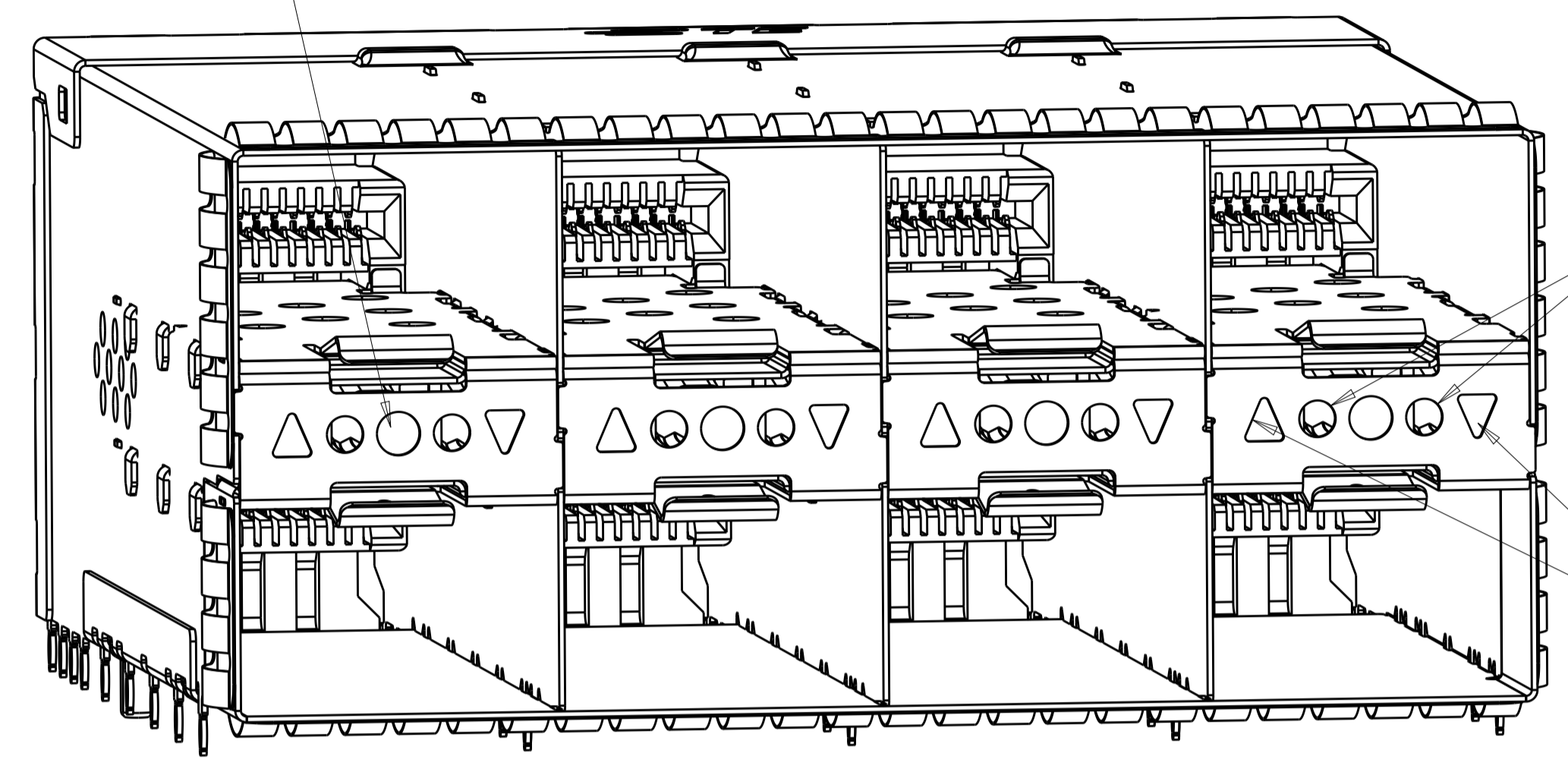
3-2339978-4
SCALE 3:1

THIS DRAWING IS A CONTROLLED DOCUMENT.		OWN J. WANG 17JUL2018	TE Connectivity
DIMENSIONS: mm		CHK S. HAN 17JUL2018	
		APVD S. HAN 17JUL2018	NAME RECEPTACLE ASSEMBLY, 2X4, STACKED, SFP56
TOLERANCES UNLESS OTHERWISE SPECIFIED:		PRODUCT SPEC	RESTRICTED TO
0 PLC ±0.25		108-2481	SIZE A100779C=2339978
1 PLC ±0.25		APPLICATION SPEC	SCALE 4:1 SHEET 2 OF 7 REV B
2 PLC ±0.25		114-13319	
3 PLC ±0.25		WEIGHT	
4 PLC ±		CUSTOMER DRAWING	
ANGLES ±°			
FINISH SEE NOTES			

LOC	DIST	REVISIONS					
GP	00	P	LYR	DESCRIPTION	DATE	OWN	APVD
		-		SEE SHEET 1			

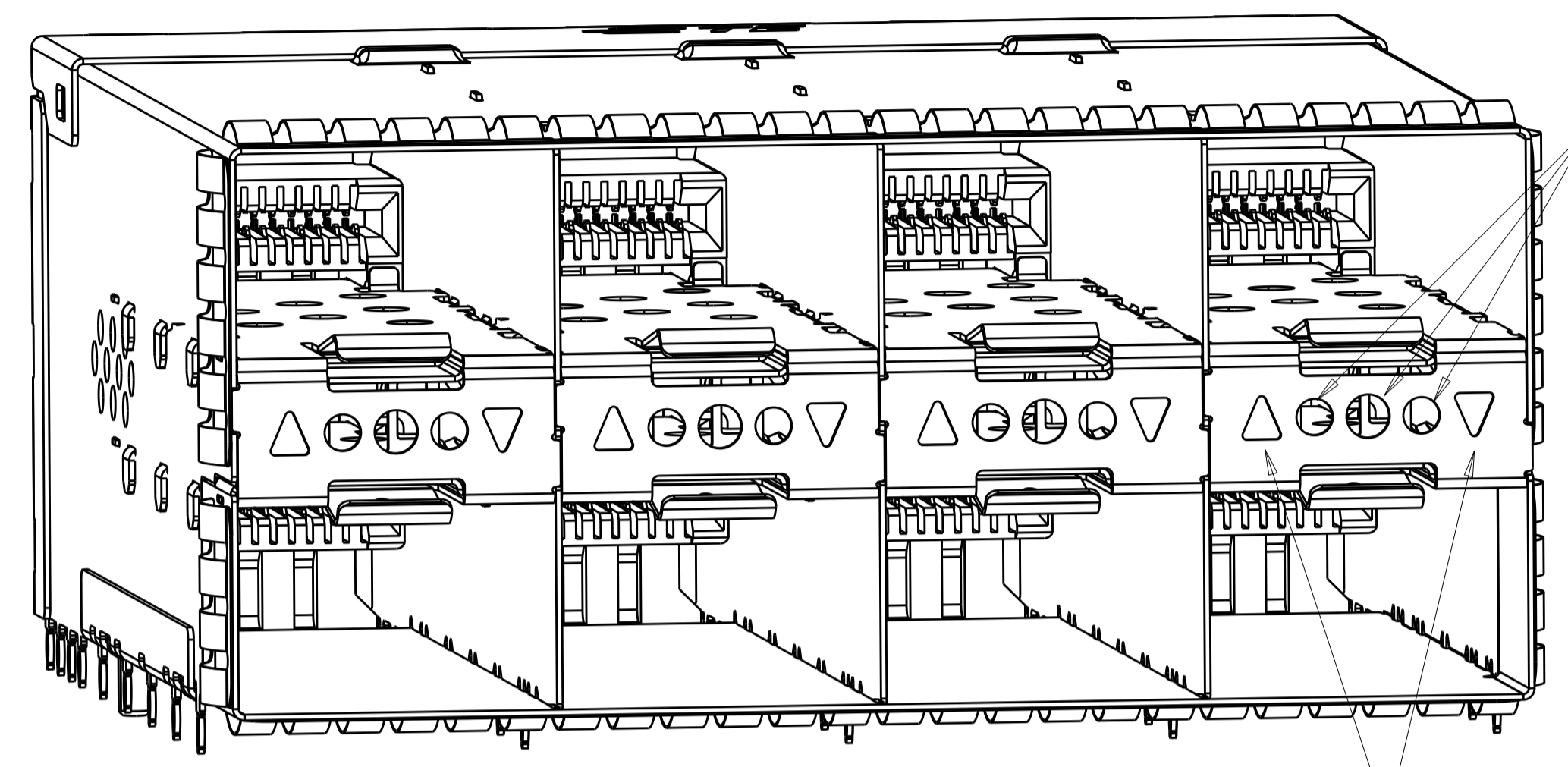
AIRFLOW ENHANCE W/ LP TYPE

INNER LIGHT PIPE



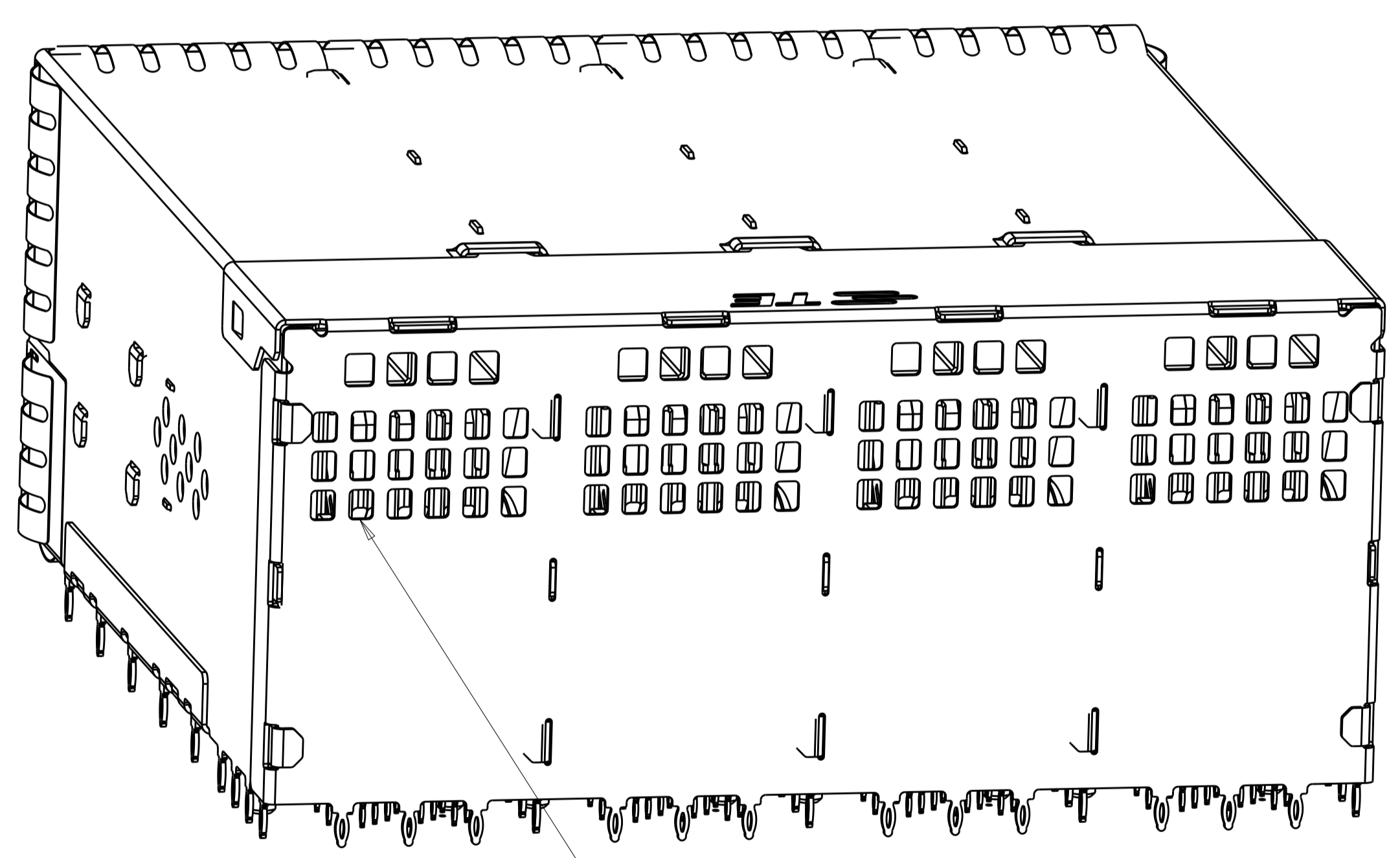
AIR VENTS

OUTER LIGHT PIPE



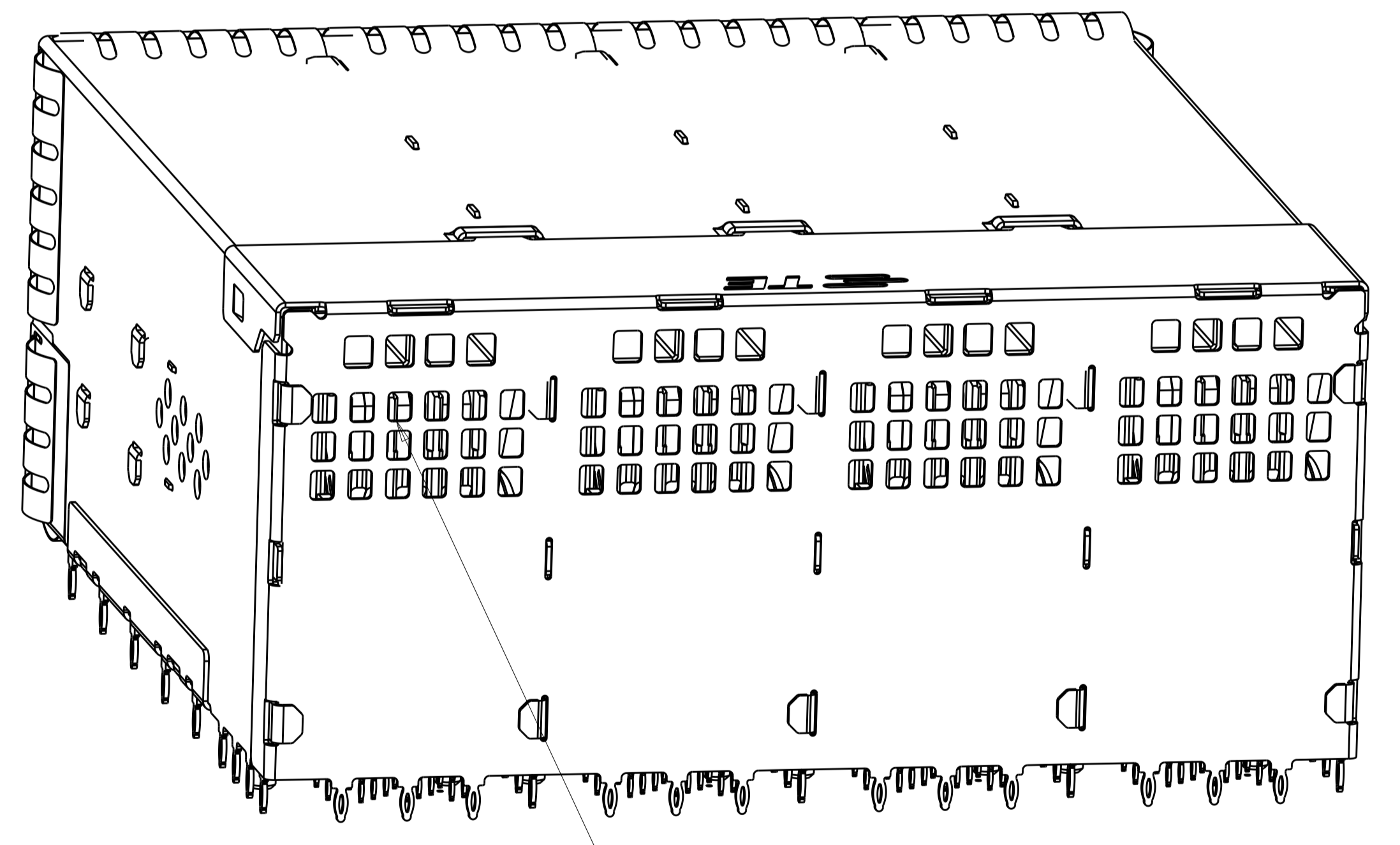
AIR VENTS

OUTER LIGHT PIPE



AIR VENTS

3-2339978-2
EMI SPRING W/ LP TYPE

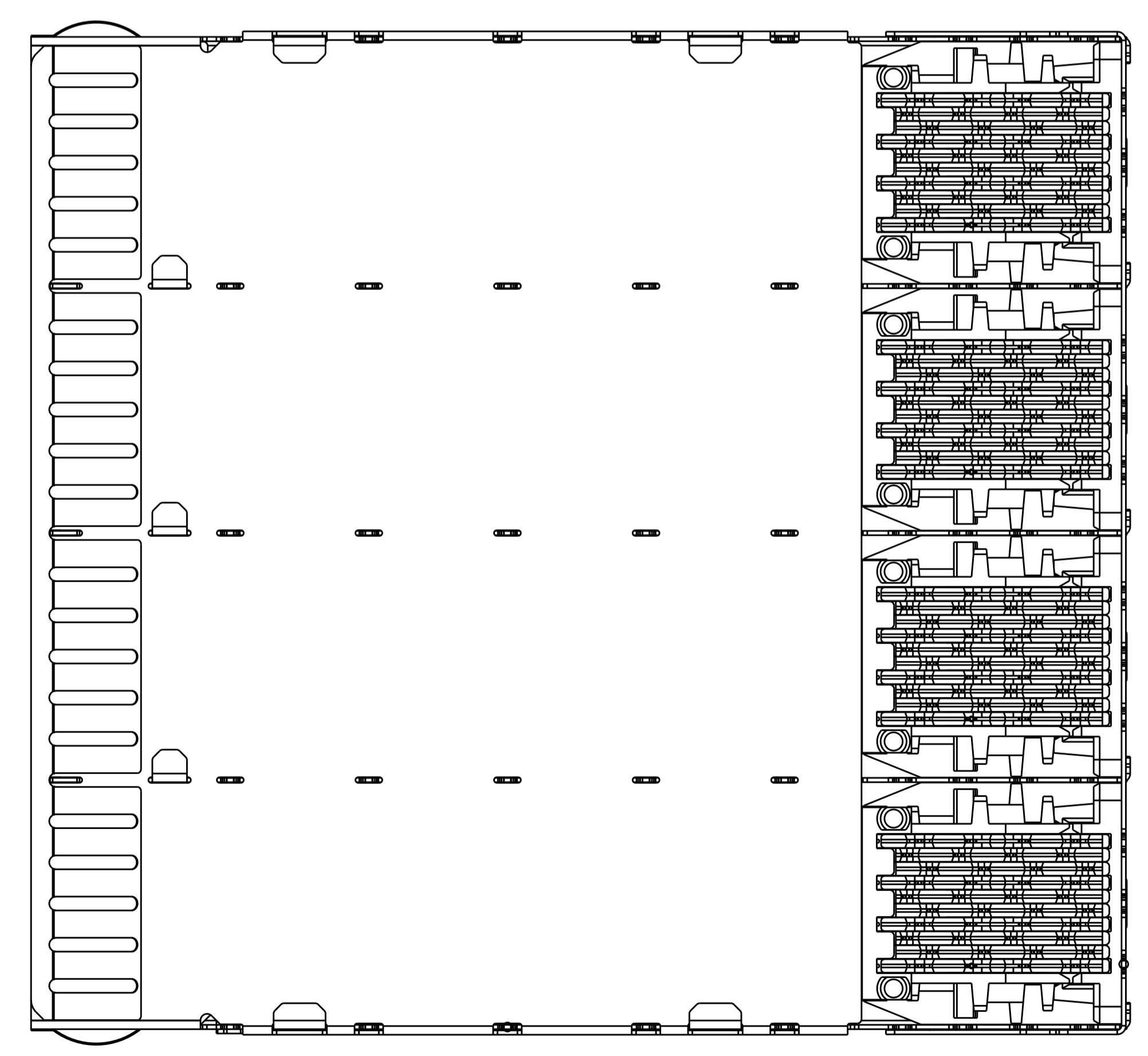
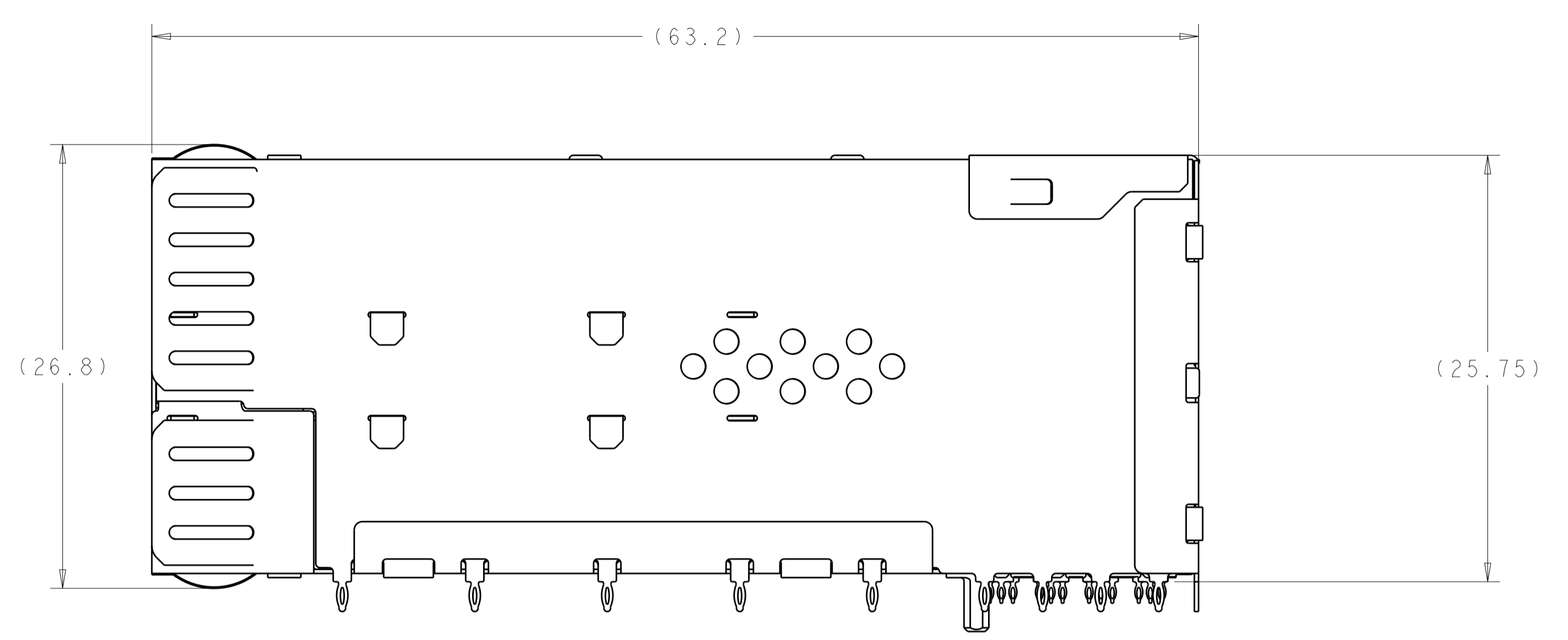
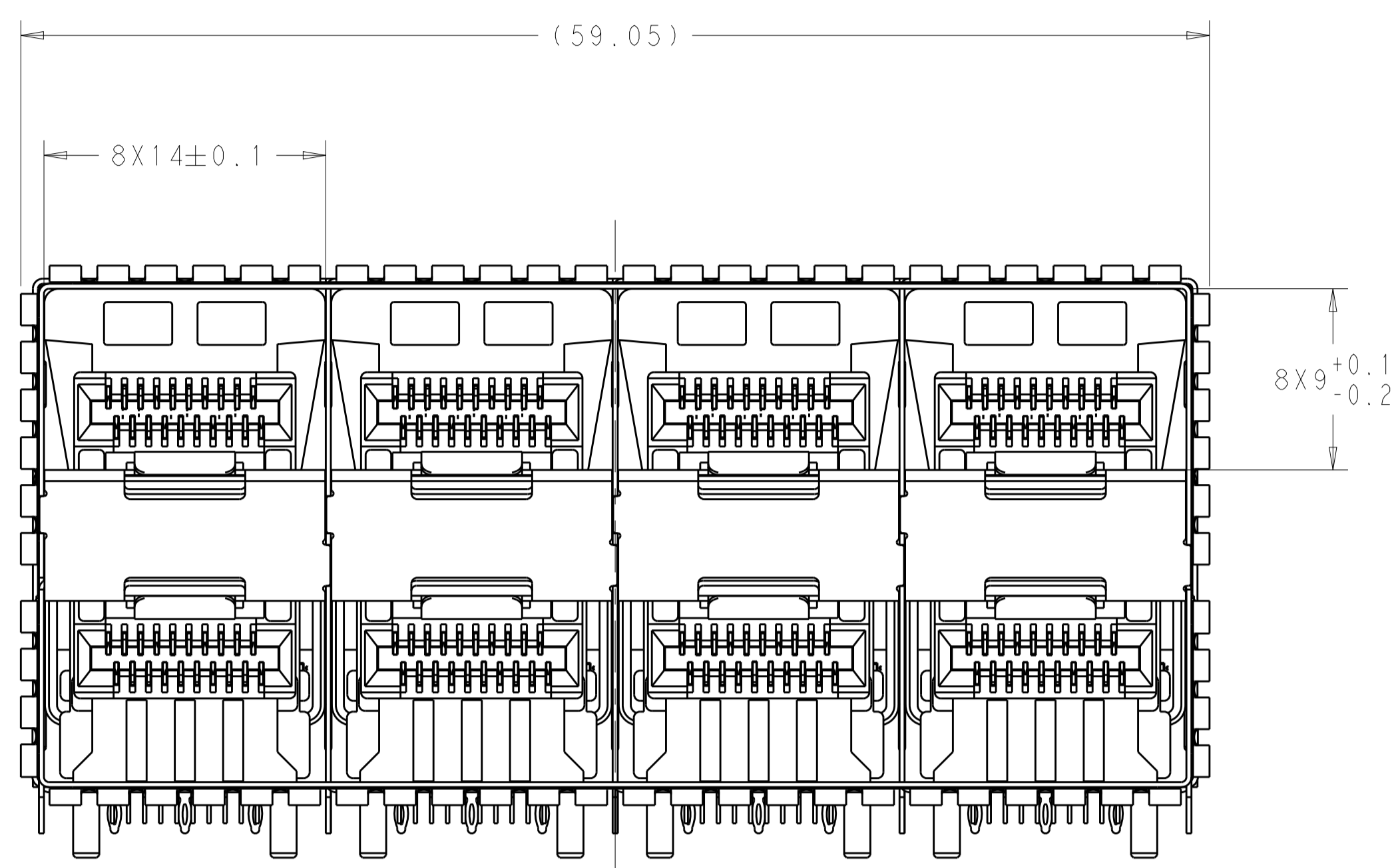


AIR VENTS

3-2339978-3
EMI SPRING W/ OUTER LP TYPE

THIS DRAWING IS A CONTROLLED DOCUMENT.		OWN	J. WANG	17JUL2018	TE Connectivity NAME RECEPTACLE ASSEMBLY, 2X4, STACKED, SFP56
DIMENSIONS:		CHK	S. HAN	17JUL2018	
mm		APVD	S. HAN	17JUL2018	
0 PLC ±0.25 1 PLC ±0.25 2 PLC ±0.25 3 PLC ±0.25 4 PLC ±0.25 ANGLES ±°		PRODUCT SPEC	108-2481	APPLICATION SPEC	
MATERIAL	SEE NOTES	FINISH	SEE NOTES	114-13319	RESTRICTED TO
CUSTOMER DRAWING		SCALE	4:1	SHEET 3 OF 7	REV B

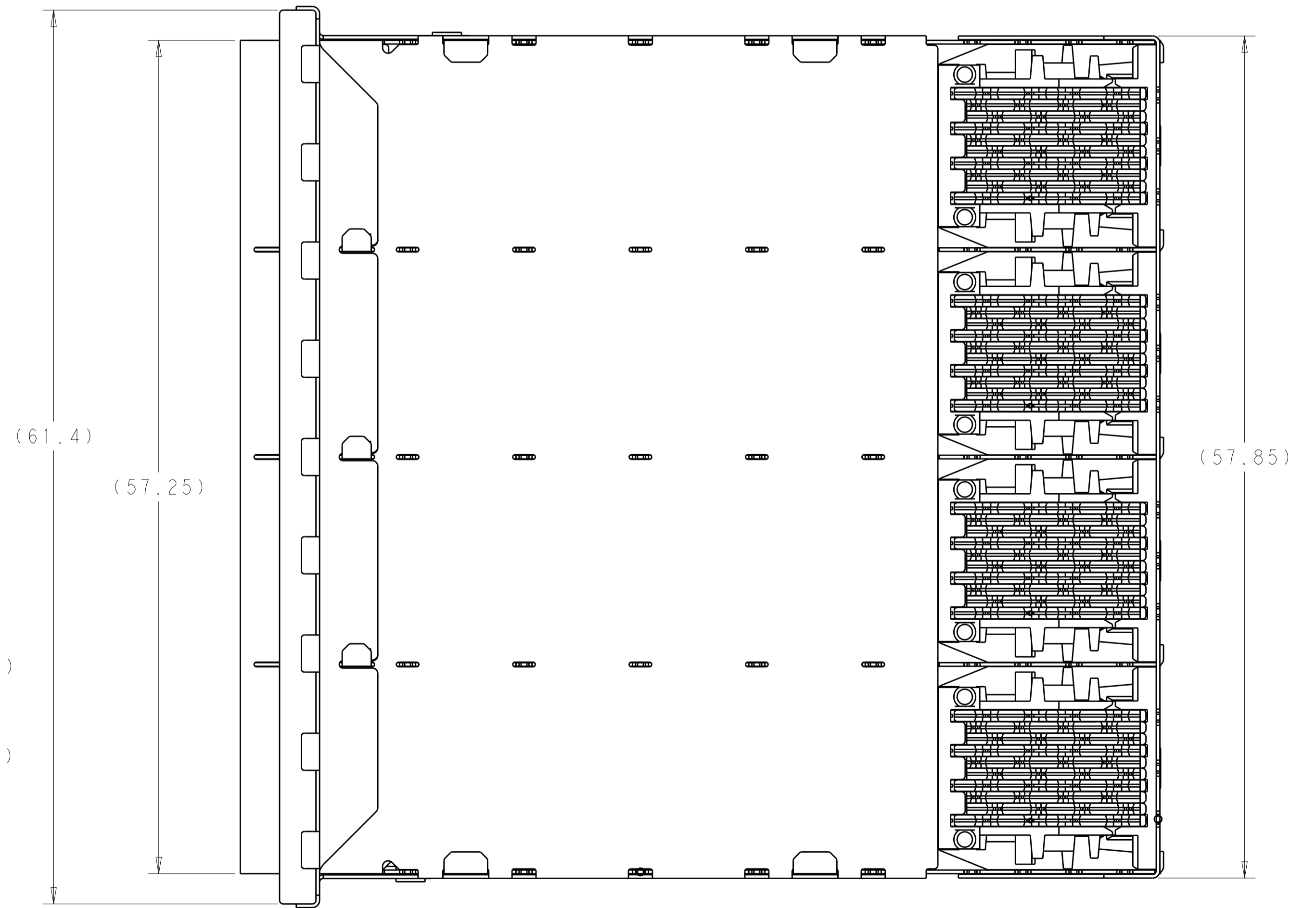
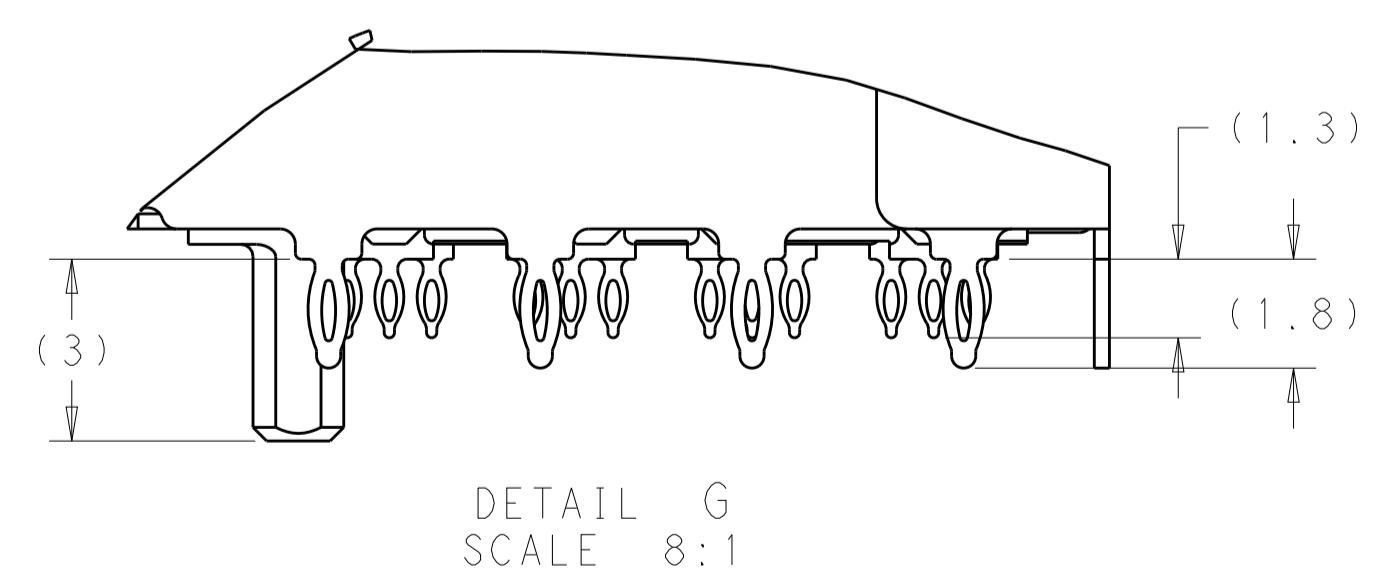
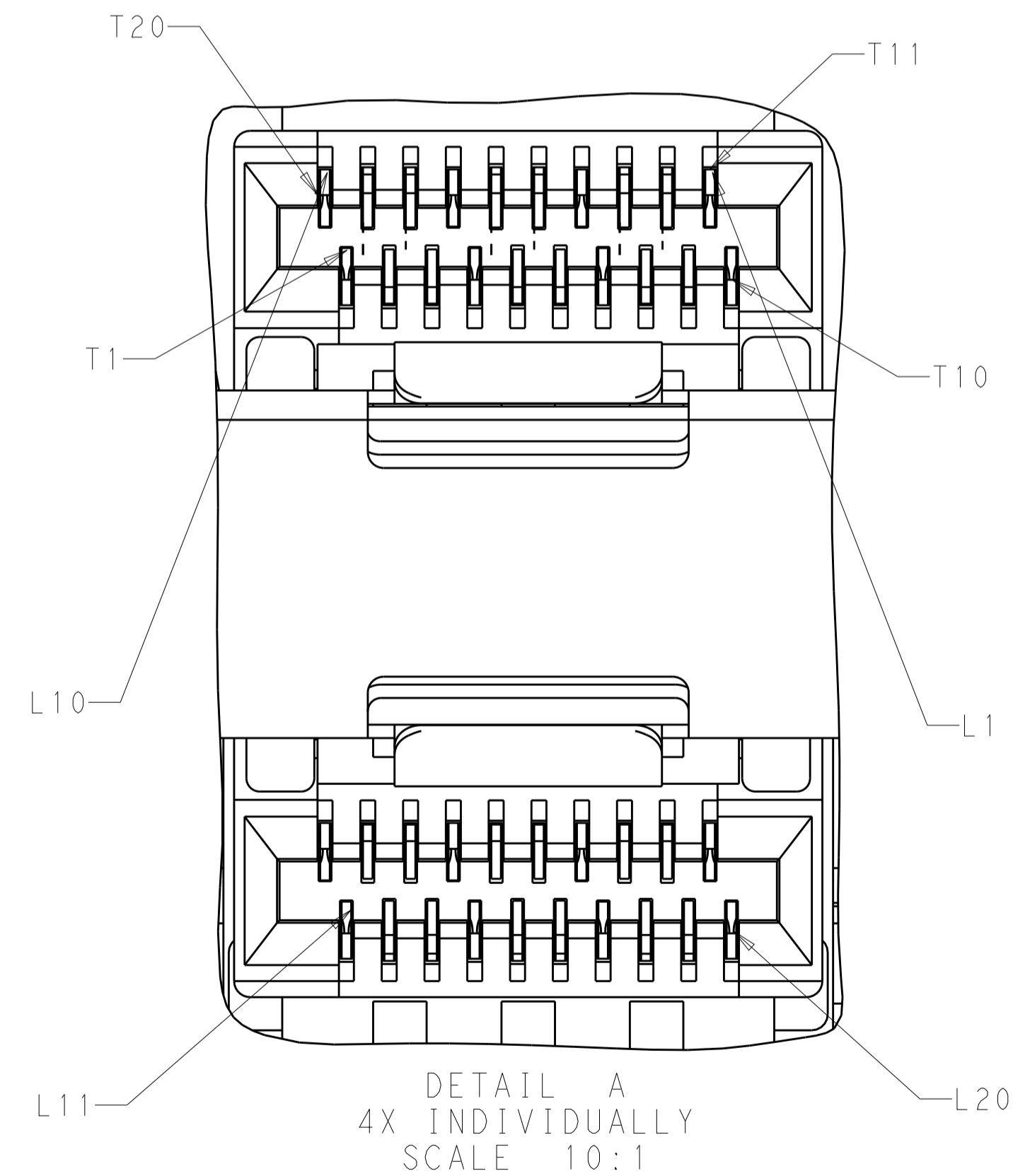
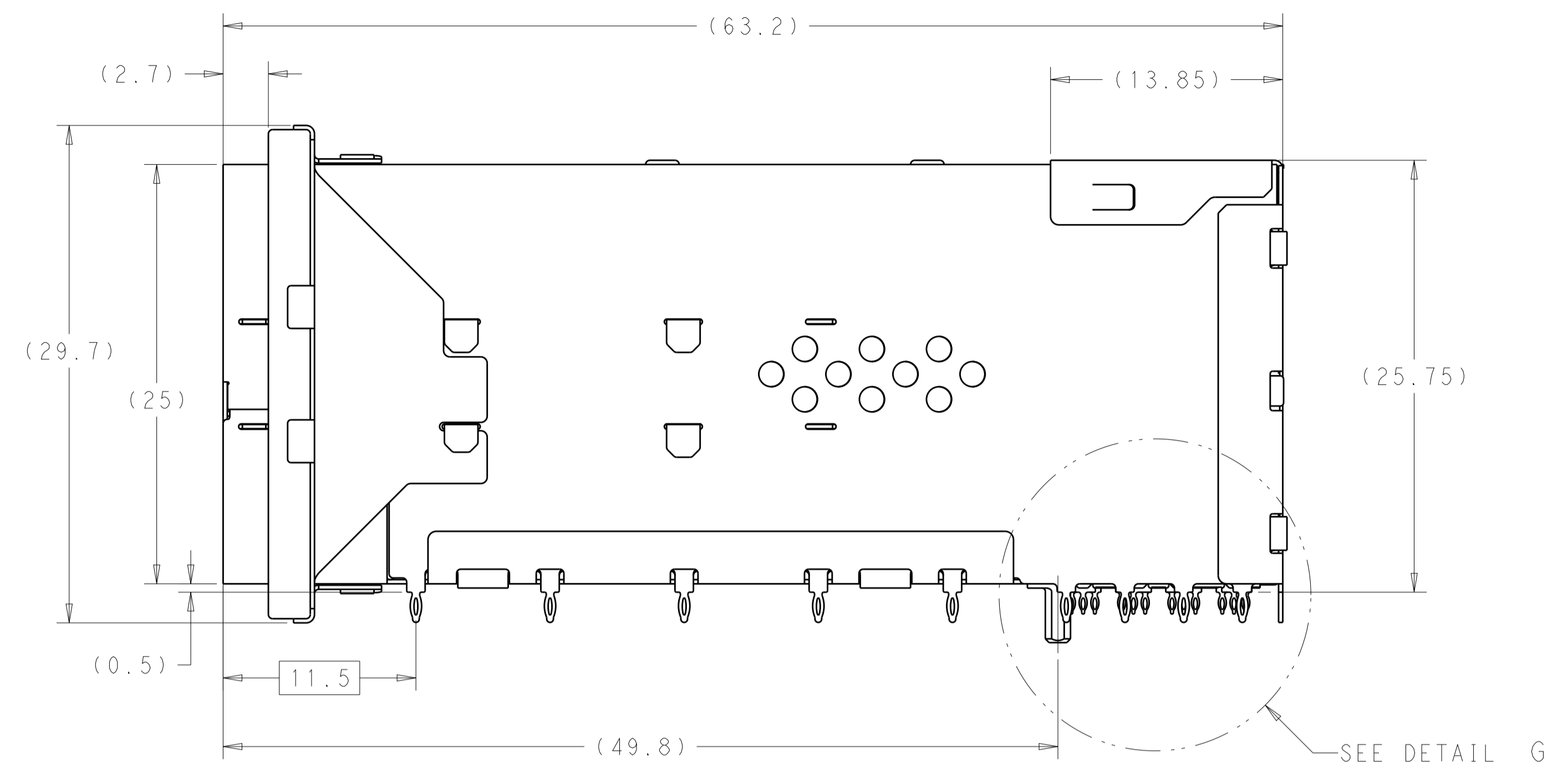
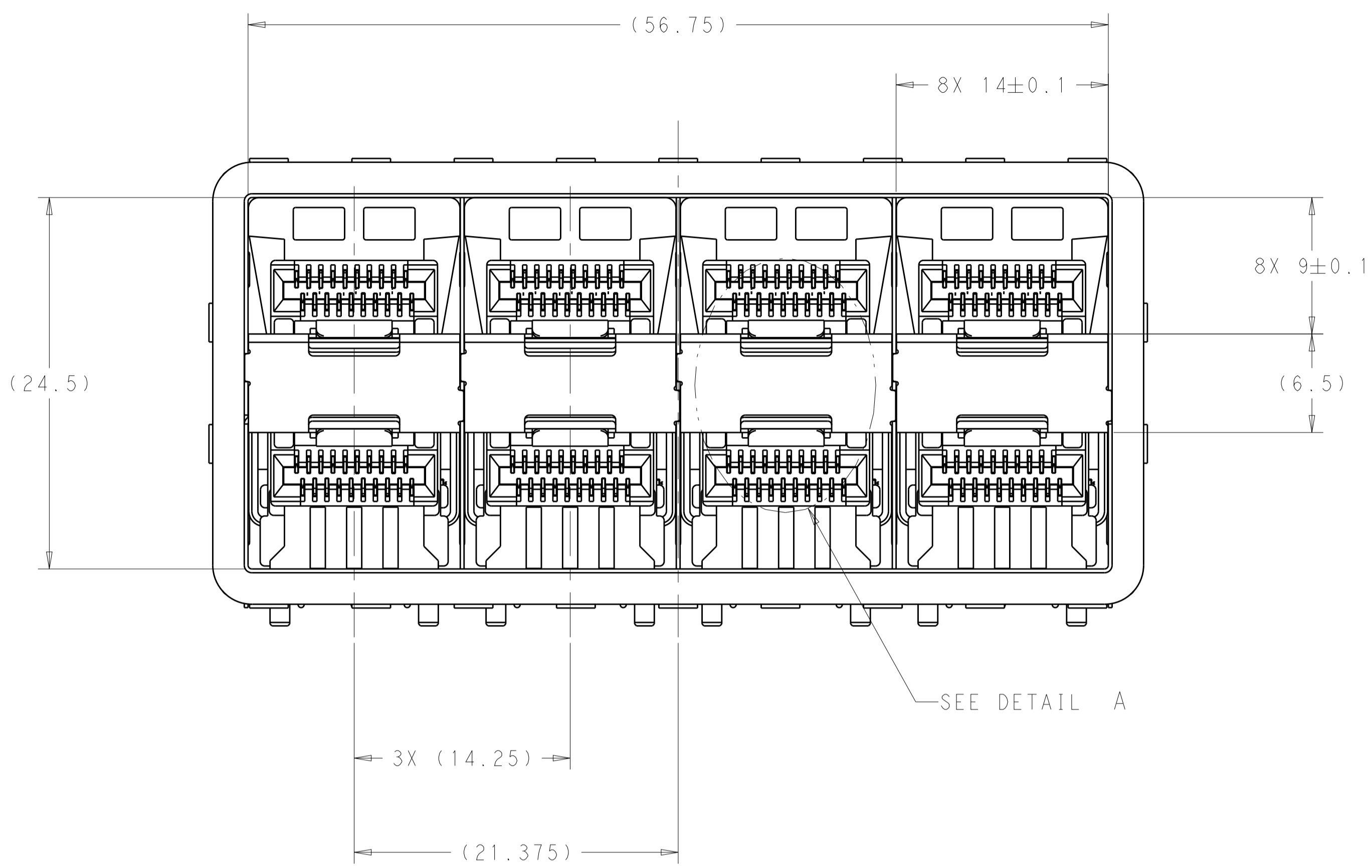
LOC		DIST		REVISIONS			
GP	00	REV	DATE	DESCRIPTION	DATE	OWN	APVD
-	-	-	-	SEE SHEET 1	-	-	-



EMI SPRINGS VERSIONS ONLY
 SCALE 4:1

THIS DRAWING IS A CONTROLLED DOCUMENT.		OWN: J. WANG 17JUL2018	TE Connectivity
DIMENSIONS: mm		CHK: S. HAN 17JUL2018	
TOLERANCES UNLESS OTHERWISE SPECIFIED:		APVD: S. HAN 17JUL2018	NAME: RECEPTACLE ASSEMBLY, 2X4, STACKED, SFP56
0 PLC ±0.25 1 PLC ±0.25 2 PLC ±0.25 3 PLC ±0.25 4 PLC ±0.25 ANGLES ±°		PRODUCT SPEC: 108-2481	SIZE: A1
MATERIAL: SEE NOTES		APPLICATION SPEC: 114-13319	CAGE CODE: C=2339978
FINISH: SEE NOTES		WEIGHT: -	RESTRICTED TO: -
		CUSTOMER DRAWING	SCALE: 4:1 SHEET 4 OF 7 REV B

LOC		DIST		REVISIONS			
GP	00	P	LTH	DESCRIPTION	DATE	DWN	APVD
				SEE SHEET 1			

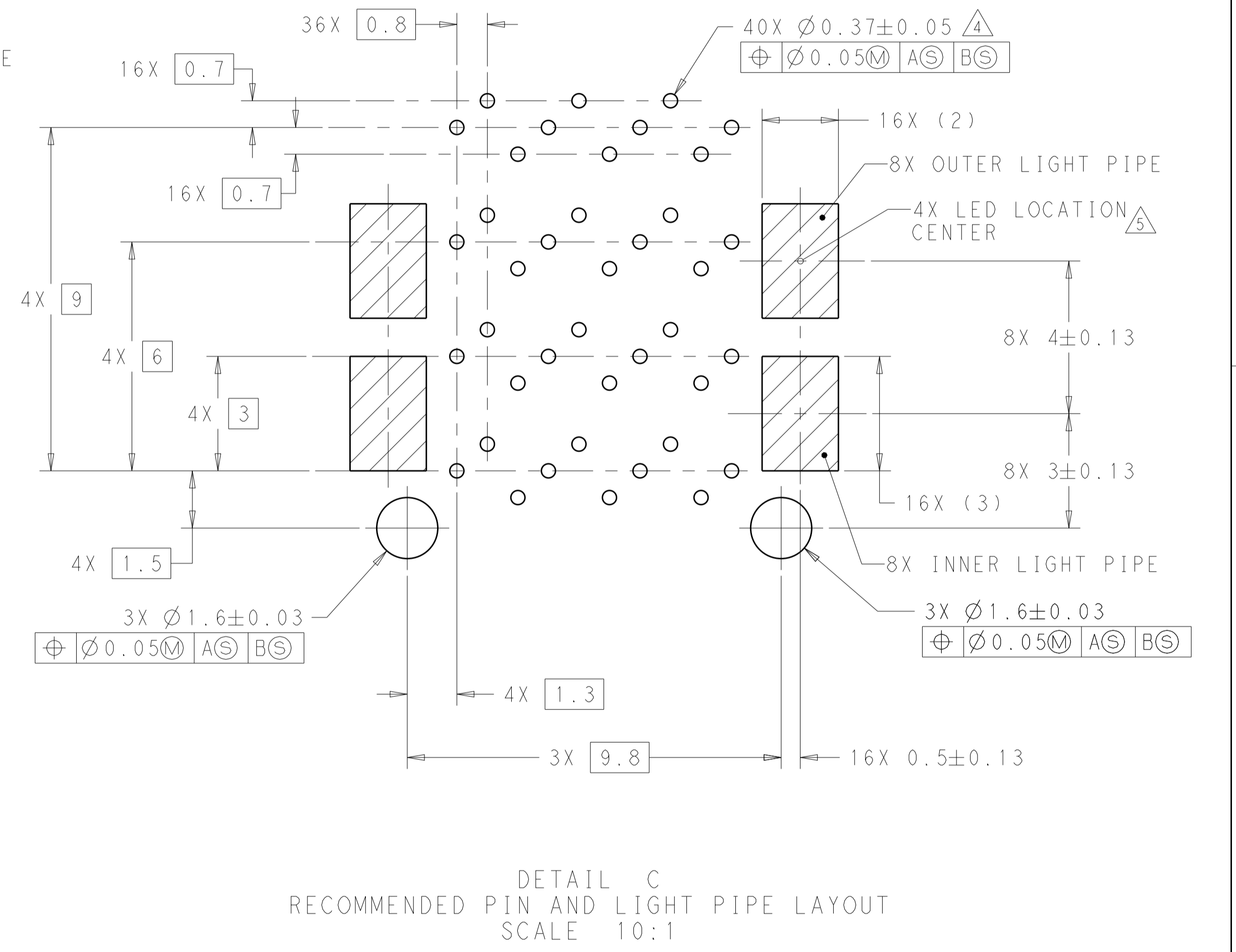
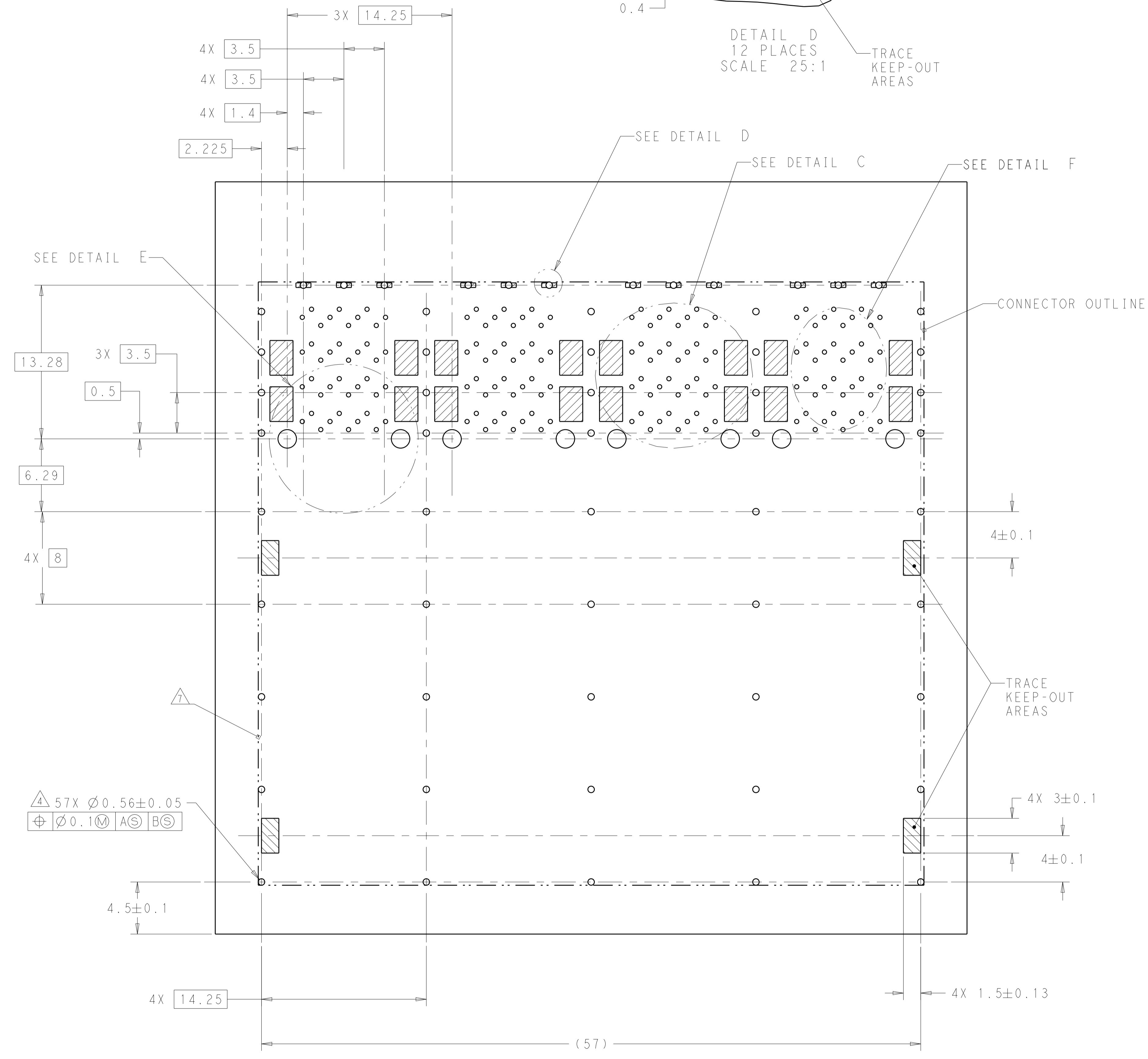
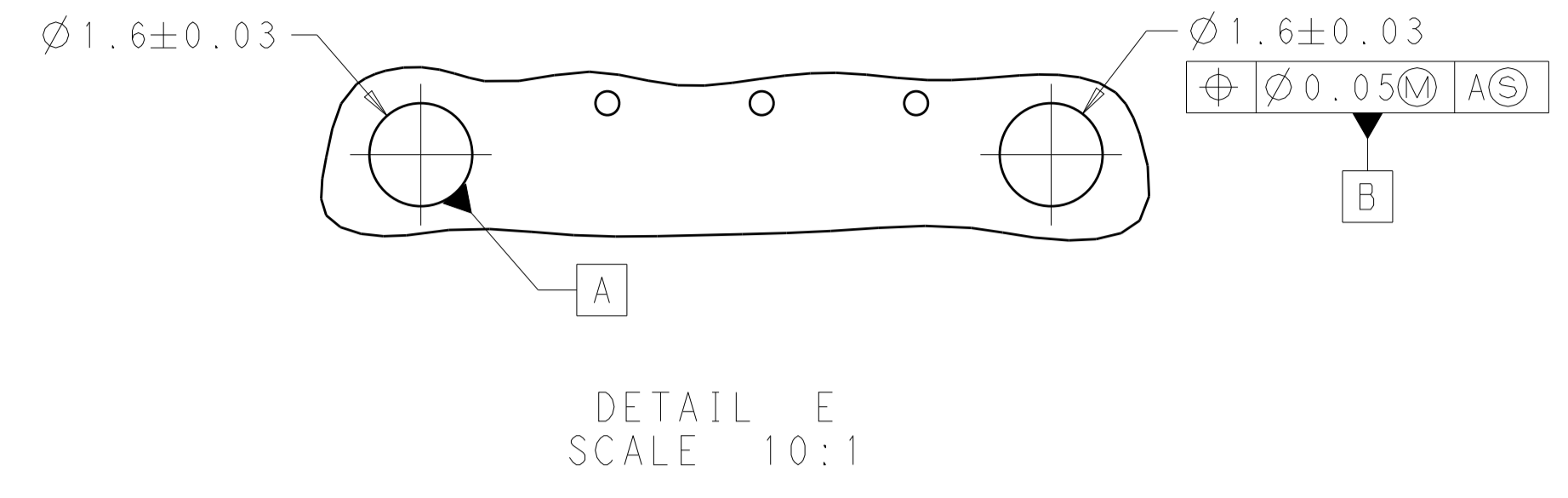
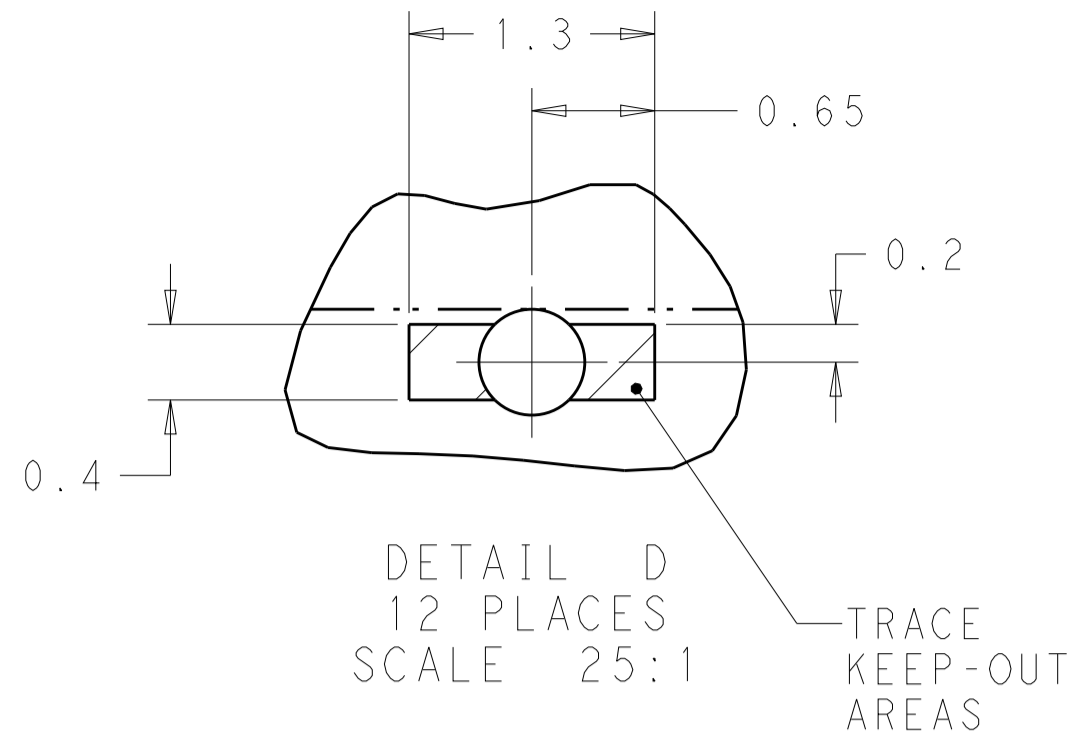


THIS DRAWING IS A CONTROLLED DOCUMENT.

DIMENSIONS:	TOLERANCES UNLESS OTHERWISE SPECIFIED:	DWN: J. WANG 17JUL2018	CHK: S. HAN 17JUL2018	APVD: S. HAN 17JUL2018
mm	0 PLC ±0.25 1 PLC ±0.25 2 PLC ±0.25 3 PLC ±0.25 4 PLC ±0.25	NAME: RECEPTACLE ASSEMBLY, 2X4, STACKED, SFP56	PRODUCT SPEC: 108-2481	APPLICATION SPEC: -
MATERIAL: SEE NOTES	FINISH: SEE NOTES	SIZE: A1	CAGE CODE: 100779	DRAWING NO: 2339978
		RESTRICTED TO: -	SCALE: 4:1	SHEET 5 OF 7

STE TE Connectivity

LOC	DIST	REV	DATE	BY	APPV
GP	00				
REVISIONS					
DESCRIPTION			DATE	BY	APPV
SEE SHEET 1					



THIS DRAWING IS A CONTROLLED DOCUMENT.		OWN J. WANG 17JUL2018	TE Connectivity
DIMENSIONS: mm		CHK S. HAN 17JUL2018	
TOLERANCES UNLESS OTHERWISE SPECIFIED:		APV S. HAN 17JUL2018	NAME RECEPTACLE ASSEMBLY, 2X4, STACKED, SFP56
0 PLC ±0.25		PRODUCT SPEC 108-2481	SIZE A100779C=2339978
1 PLC ±0.25		APPLICATION SPEC 114-13319	RESTRICTED TO
2 PLC ±0.25		WEIGHT	SCALE 4:1 SHEET 6 OF 7 REV B
3 PLC ±0.25		CUSTOMER DRAWING	
4 PLC ±0.25			
ANGLES ±4°			
MATERIAL SEE NOTES			
FINISH SEE NOTES			

LOC	DIST	REVISIONS					
GP	00	P	LTH	DESCRIPTION	DATE	DMN	APVD
		-	-	SEE SHEET 1	-	-	-

T19○ T16○ T13○
 T20○ T17○ T14○ T11○
 T18○ T15○ T12○

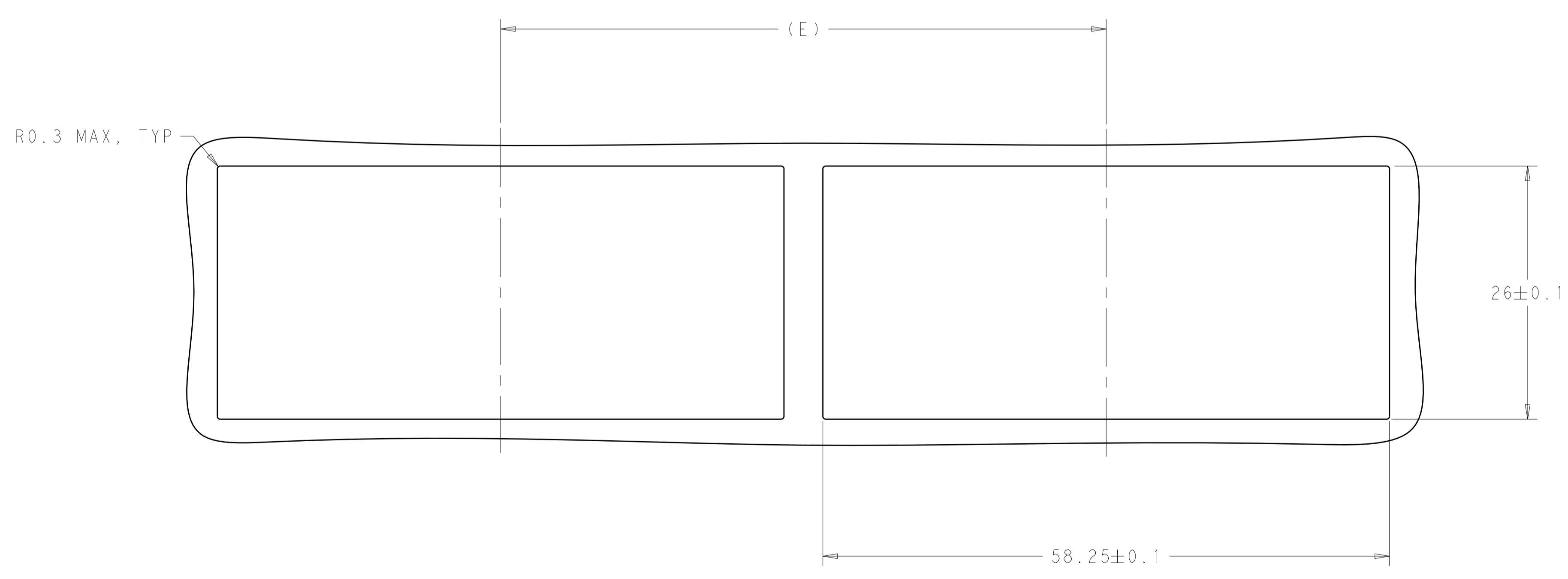
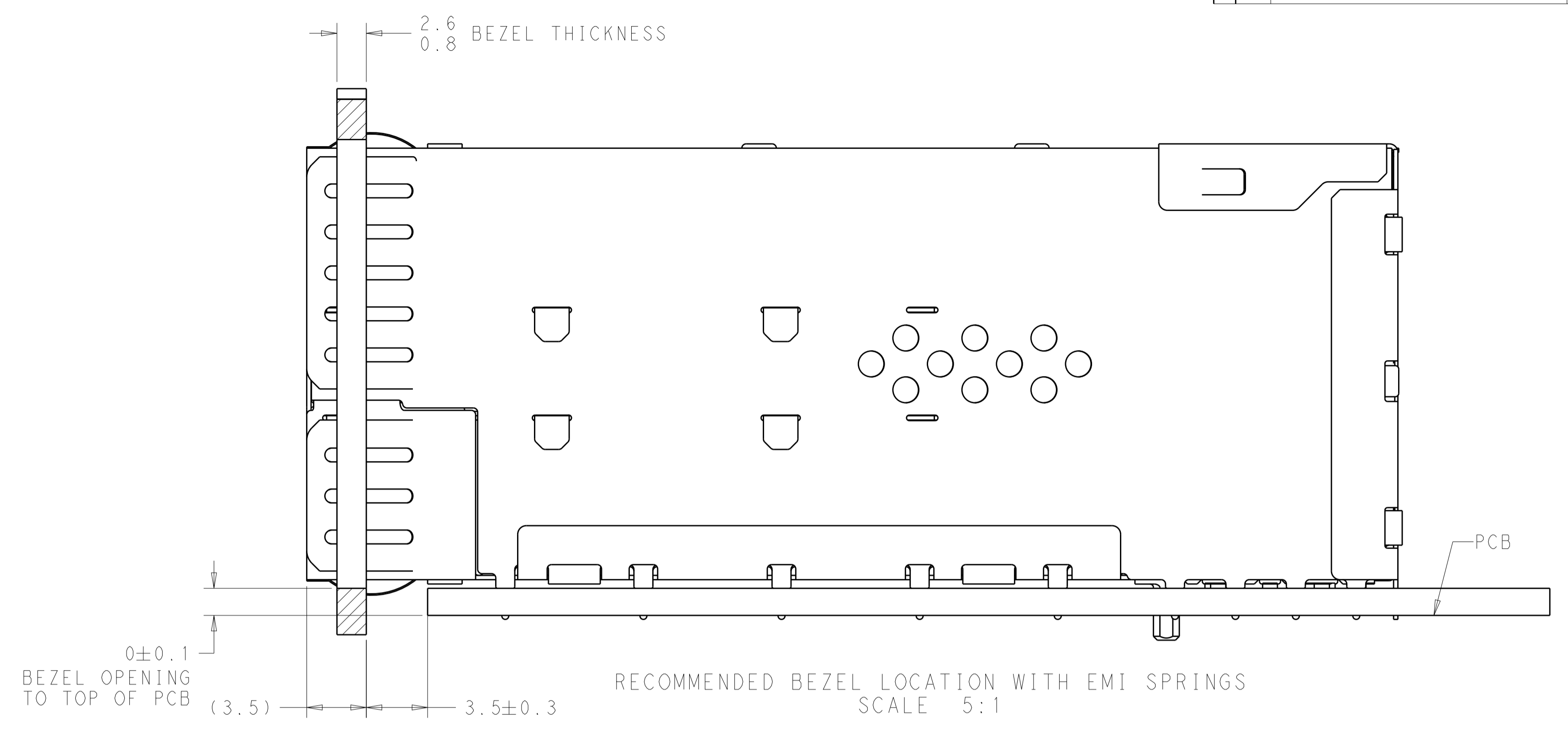
T2○ T5○ T8○
 T1○ T4○ T7○ T10○
 T3○ T6○ T9○

L9○ L6○ L3○
 L10○ L7○ L4○ L1○
 L8○ L5○ L2○

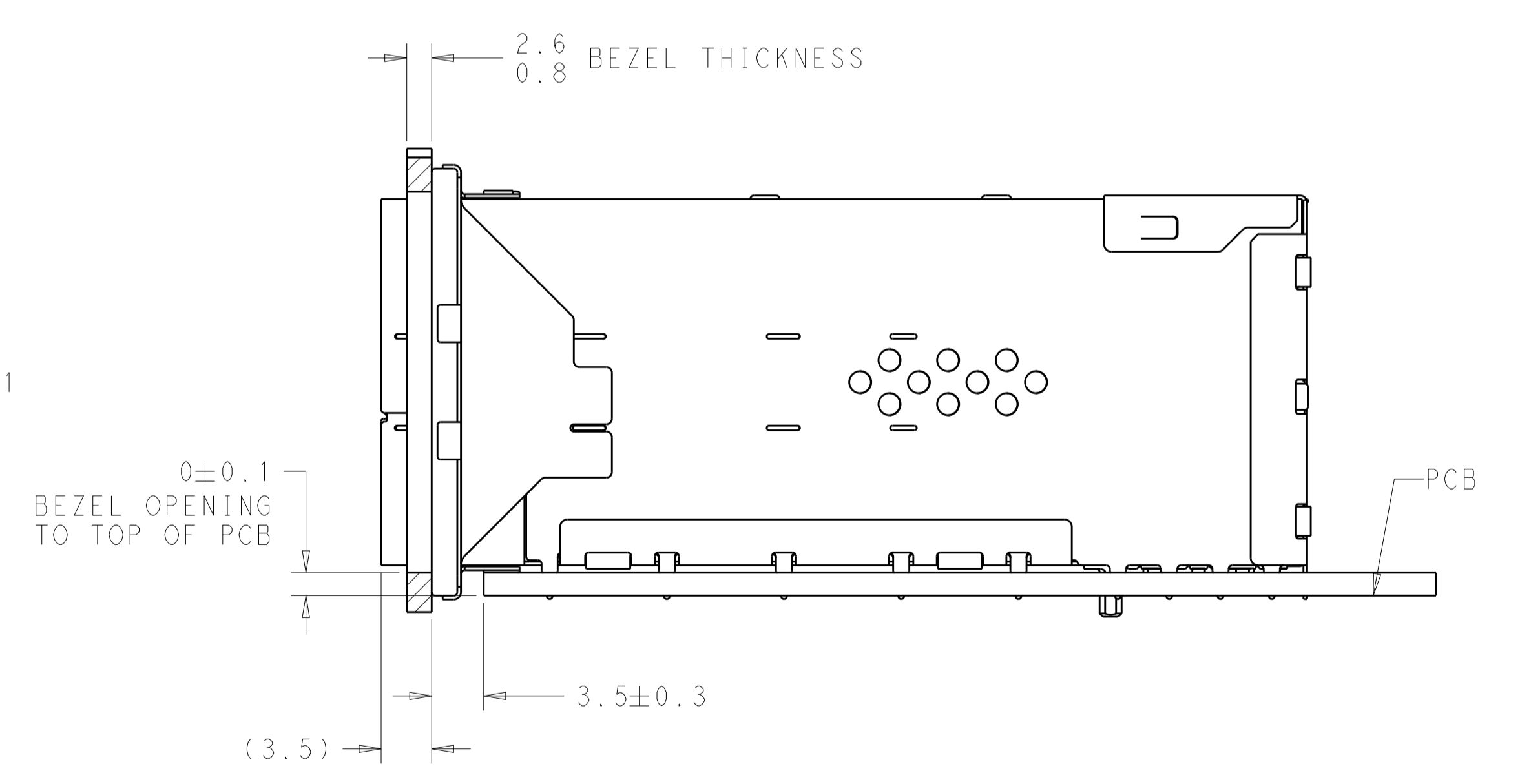
L12○ L15○ L18○
 L11○ L14○ L17○ L20○
 L13○ L16○ L19○

PIN MAP LEGEND	
PIN NUMBER	FUNCTION
L1/T1	VEET
L2/T2	TX-FAULT
L3/T3	TX-DISABLE
L4/T4	SDA
L5/T5	SCL
L6/T6	MOD_ABS
L7/T7	RSO
L8/T8	RX_LOS
L9/T9	RS1
L10/T10	VEER
L11/T11	VEER
L12/T12	RD-
L13/T13	RD+
L14/T14	VEER
L15/T15	VCCR
L16/T16	VCCT
L17/T17	VEET
L18/T18	TD+
L19/T19	TD-
L20/T20	VEET

DETAIL F
 PIN MAP
 4 PLACES
 SCALE 15:1



RECOMMENDED BEZEL CUT-OUT DETAIL
 SCALE 3:1



THIS DRAWING IS A CONTROLLED DOCUMENT.		DMN J. WANG 17JUL2018	TE Connectivity
DIMENSIONS: mm		CHK S. HAN 17JUL2018	
TOLERANCES UNLESS OTHERWISE SPECIFIED:		APVD S. HAN 17JUL2018	NAME RECEPTACLE ASSEMBLY, 2X4, STACKED, SFP56
0 PLC ±0.25	1 PLC ±0.25	PRODUCT SPEC 108-2481	SIZE A1
2 PLC ±0.25	3 PLC ±0.25	APPLICATION SPEC	CAGE CODE DRAWING NO 00779
4 PLC ±0.25	ANGLES ±°	114-13319	RESTRICTED TO
MATERIAL SEE NOTES	FINISH SEE NOTES	WEIGHT	SCALE 4:1
CUSTOMER DRAWING		SCALE 4:1	SHEET 7 OF 7 REV B