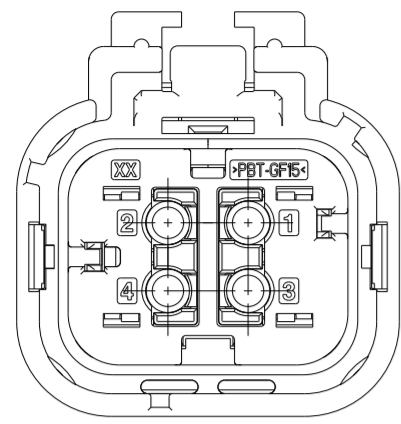
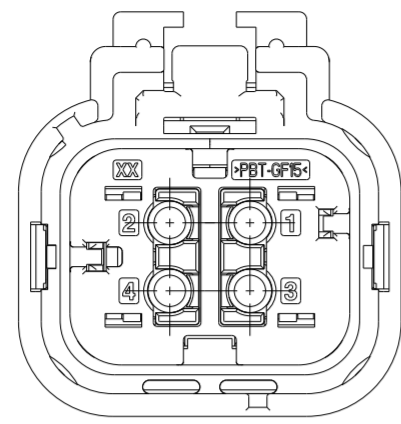


THIS DRAWING IS UNPUBLISHED. RELEASED FOR PUBLICATION
 © COPYRIGHT copyright.d8te- ALL RIGHTS RESERVED.

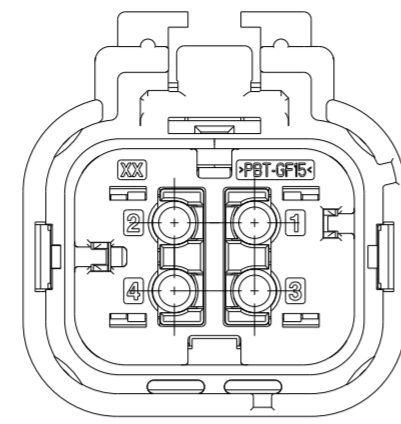
REVISIONS					
P	LTR	DESCRIPTION	DATE	DWN	APVD
A		RELEASE PER ECO-20-015410	09OCT2019	DFS	JB
A1		ADDED ADDITIONAL ASSEMBLY VIEW	05JAN2024	GB	CB
B		REVISED PER ECR-24-220138	09SEP2024	KB	WJR
B1		REVISED PER PCN-24-XXXXXX	03OCT2024	RK	CB



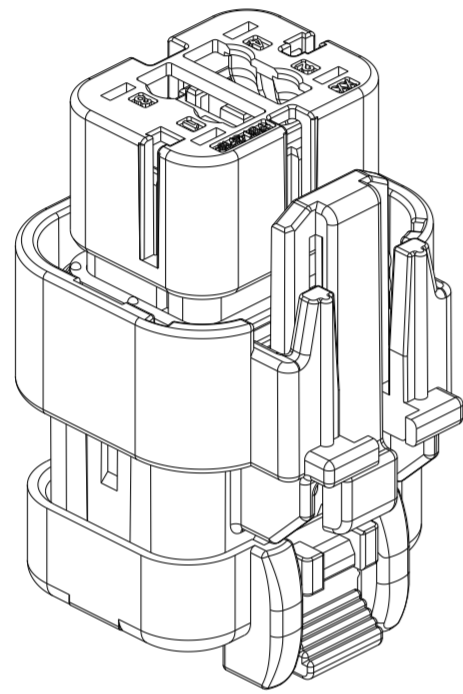
2338212-2
SCALE 2:1



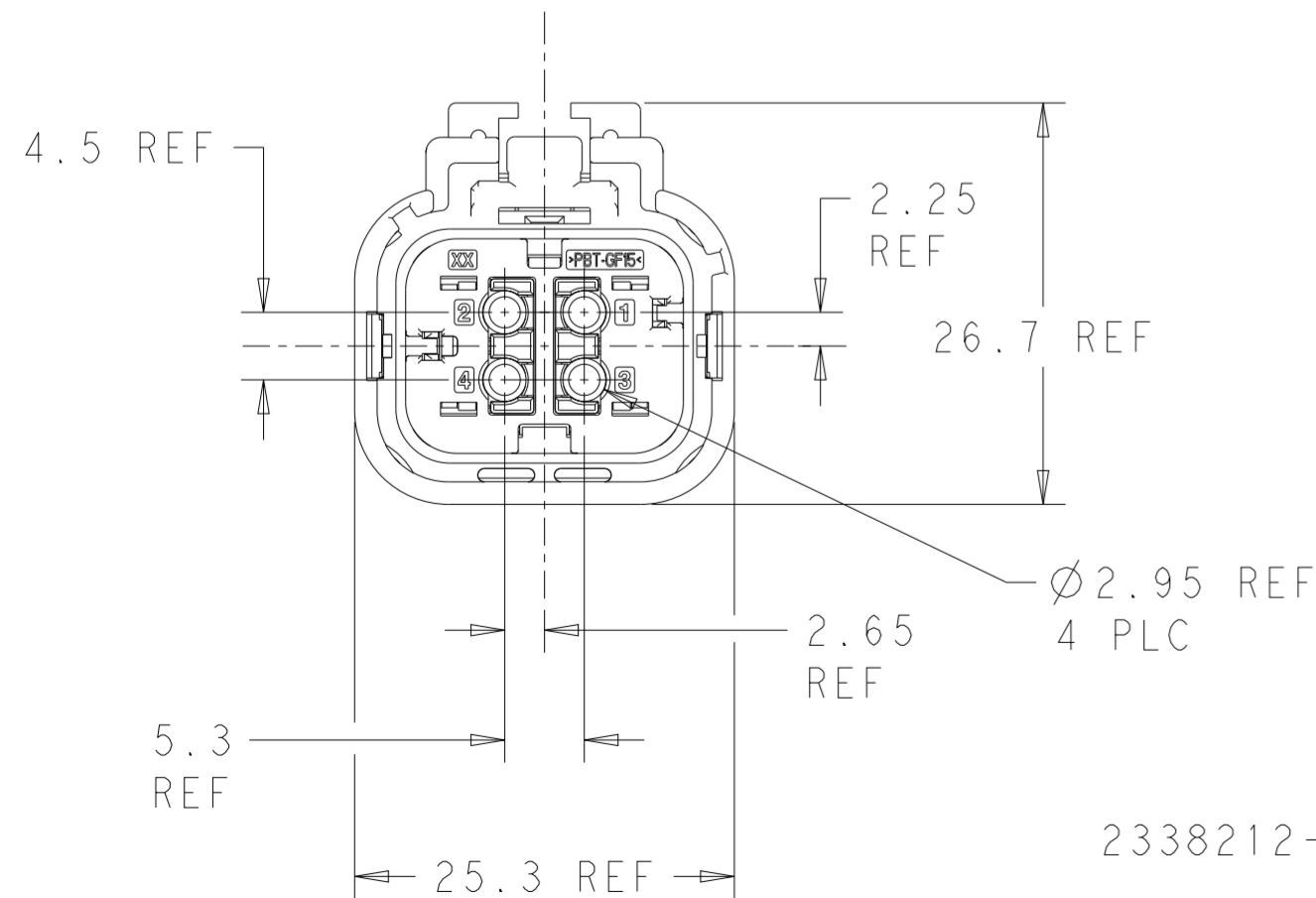
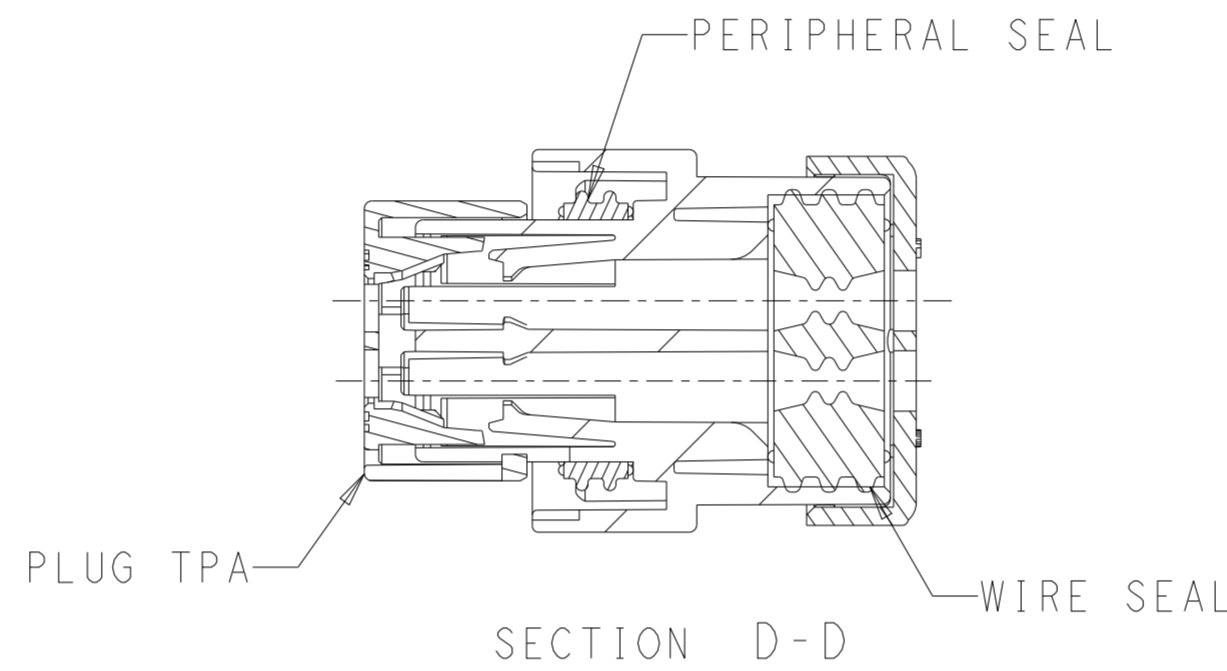
2338212-3
SCALE 2:1



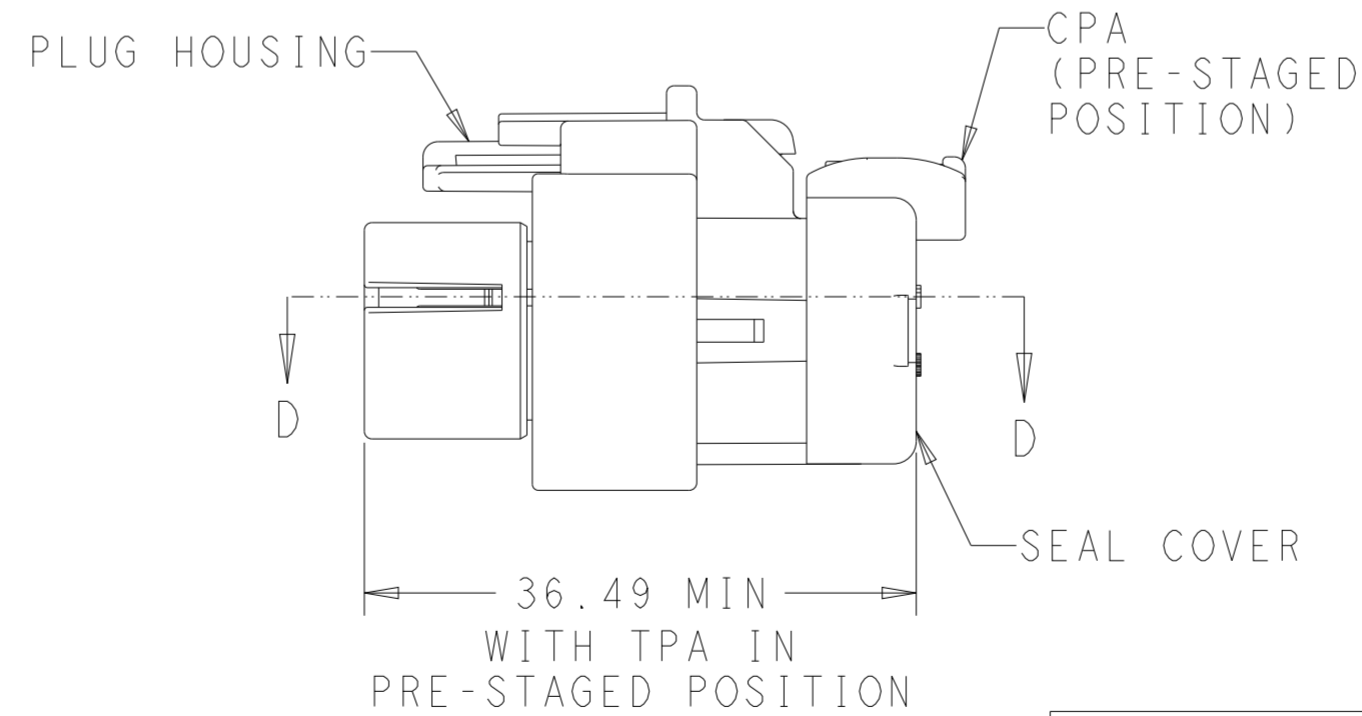
2338212-4
SCALE 2:1



ISOMETRIC VIEW SHOWN FOR REFERENCE ONLY



2338212-1 AS SHOWN



NOTES:

- 1. MATERIALS:
 PLUG HOUSING:
 GENERIC TYPE = 15% GF PBT
 COLOR = SEE TABLE
 PERIPHERAL SEAL:
 GENERIC TYPE = SILICONE RUBBER
 COLOR = TAN
 WIRE SEAL:
 GENERIC TYPE: SILICONE RUBBER
 COLOR = GREEN
 SEAL COVER:
 GENERIC TYPE = 15% GF PBT
 COLOR = BLACK
 PLUG TPA:
 GENERIC TYPE = 15% GF PBT
 COLOR = BLACK
 PLUG CPA:
 GENERIC TYPE = 15% GF PBT
 COLOR = RED
- 2. NOT TOOLED FOR PRODUCTION
- 3. APPLICABLE INTERFACE DRAWING: 208-160010
- 4. TPA SHOWN IN THE PRE-STAGED (AS SHIPPED) POSITION.
- 5. MATTE SEAL TO ACCOMODATE WIRE INSULATION O.D. RANGE OF 2.18mm TO 3.81mm.
- 6. REFER TO AS16 COAX PRODUCT GROUP DRAWING: 2381263 FOR INFORMATION REGARDING MATING COMPONENTS, ACCESSORIES, AND APPLICATION TOOLING.

BEIGE	2338212-4
SIGNAL BLUE	2338212-3
CLARET VIOLET	2338212-2
WATER BLUE	2338212-1
HOUSING COLOR	PART NUMBER

DIMENSIONS:		TOLERANCES UNLESS OTHERWISE SPECIFIED:		APVD		NAME	
mm	0 PLC ±	1 PLC ±	2 PLC ±	J. LOCONDRO	7AUG2020	J. BARTH	9AUG2020
	3 PLC ±	4 PLC ±	ANGLES ±	D. F. STACK	8AUG2020		
	FINISH -						
MATERIAL				PRODUCT SPEC	108-94799	PLUG SOCKET ASSY, 4P, W2W, SEALED AS16 COAX	
				APPLICATION SPEC	114-94667	SIZE	A2
				WEIGHT	11.91 g	CAGE CODE	-
				CUSTOMER DRAWING		DRAWING NO	C-2338212-C
						RESTRICTED TO	-
						SCALE	2:1
						SHEET	1 OF 2
						REV	B1

THIS DRAWING IS UNPUBLISHED. RELEASED FOR PUBLICATION
 © COPYRIGHT copyright dbte ALL RIGHTS RESERVED.

REVISIONS				
P	LTR	DESCRIPTION	DATE	APVD
-	-	SEE SHEET 1	-	-

NOTES:

1. MATERIALS:

PLUG HOUSING:
 GENERIC TYPE = 15% GF PBT
 COLOR = SEE TABLE

PERIPHERAL SEAL:
 GENERIC TYPE = SILICONE RUBBER
 COLOR = TAN

WIRE SEAL:
 GENERIC TYPE: SILICONE RUBBER
 COLOR = GREEN

SEAL COVER:
 GENERIC TYPE = 15% GF PBT
 COLOR = BLACK

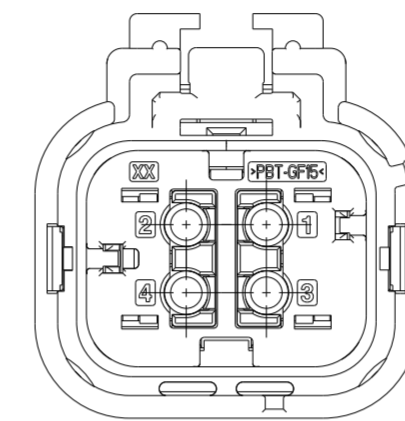
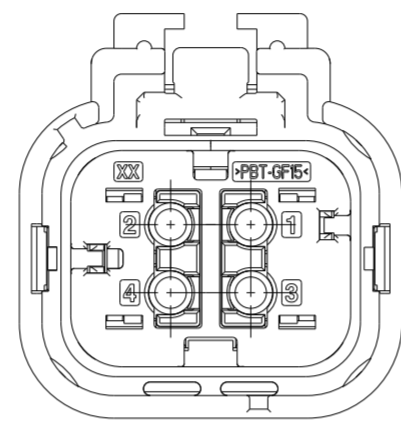
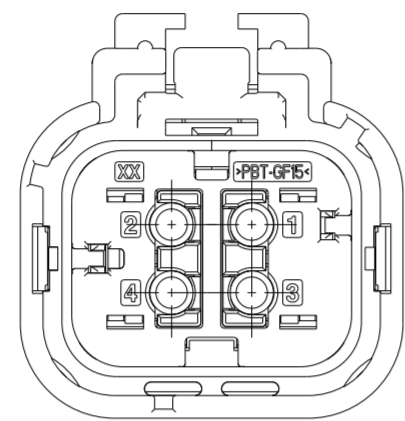
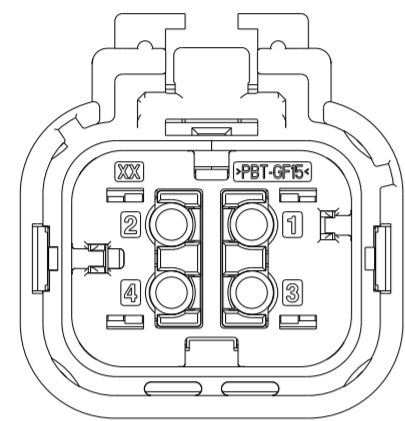
PLUG TPA:
 GENERIC TYPE = 15% GF PBT
 COLOR = BLACK

PLUG CPA:
 GENERIC TYPE = 15% GF PBT
 COLOR = RED

SEALING PLUG:
 GENERIC TYPE = 15% GF PBT
 COLOR = YELLOW

2. NOT TOOLED FOR PRODUCTION.

- 3. APPLICABLE INTERFACE DRAWING: 208-160010.
- 4. TPA (AS SHIPPED) IN CLOSED POSITION.
- 5. SEALING PLUG SHOWN IS INSTALLED INTO WIRE SEAL (AS SHIPPED).
- 6. REFER TO AS16 COAX PRODUCT GROUP DRAWING: 2381263 FOR INFORMATION REGARDING MATING COMPONENTS, ACCESSORIES, AND APPLICATION TOOLING.

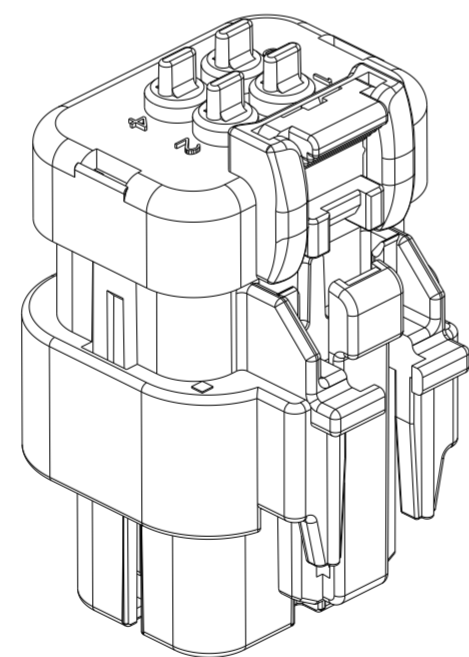


2-2338212-1 SHOWN
 WATER BLUE HOUSING
 KEY A WITH SEALING PLUG

2-2338212-2 SHOWN
 CLARET VIOLET HOUSING
 KEY B WITH SEALING PLUG

2-2338212-3 SHOWN
 SIGNAL BLUE HOUSING
 KEY C WITH SEALING PLUG

2-2338212-4 SHOWN
 BEIGE HOUSING
 KEY D WITH SEALING PLUG



BEIGE	2-2338212-4
SIGNAL BLUE	2-2338212-3
CLARET VIOLET	2-2338212-2
WATER BLUE	2-2338212-1
HOUSING COLOR	PART NUMBER

THIS DRAWING IS A CONTROLLED DOCUMENT.		DWN	J. LOCONDRO	7AUG2020	 TE Connectivity	NAME PLUG SOCKET ASSY, 4P, W2W, SEALED AS16 COAX
DIMENSIONS:		CHK	D. F. STACK	8AUG2020		
TOLERANCES UNLESS OTHERWISE SPECIFIED:		APVD	J. BARTH	9AUG2020		
mm		PRODUCT SPEC	108-94799			
0 PLC ±		APPLICATION SPEC	114-94667		SIZE	A2
1 PLC ±		WEIGHT	11.91 g		CAGE CODE	-
2 PLC ±		CUSTOMER DRAWING	SCALE 2:1		DRAWING NO	G-2338212-C
3 PLC ±		RESTRICTED TO	SHEET 2 OF 2		REV	B1
4 PLC ±						
ANGLES ±						
FINISH						