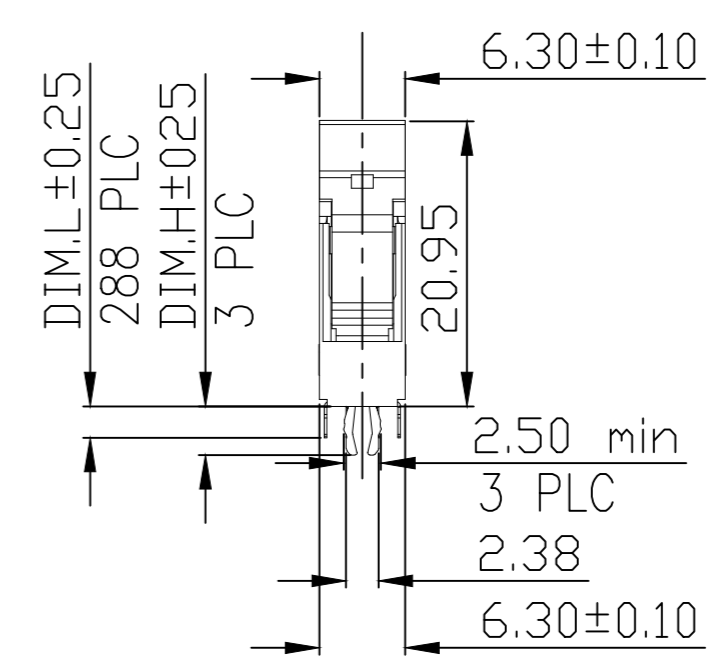
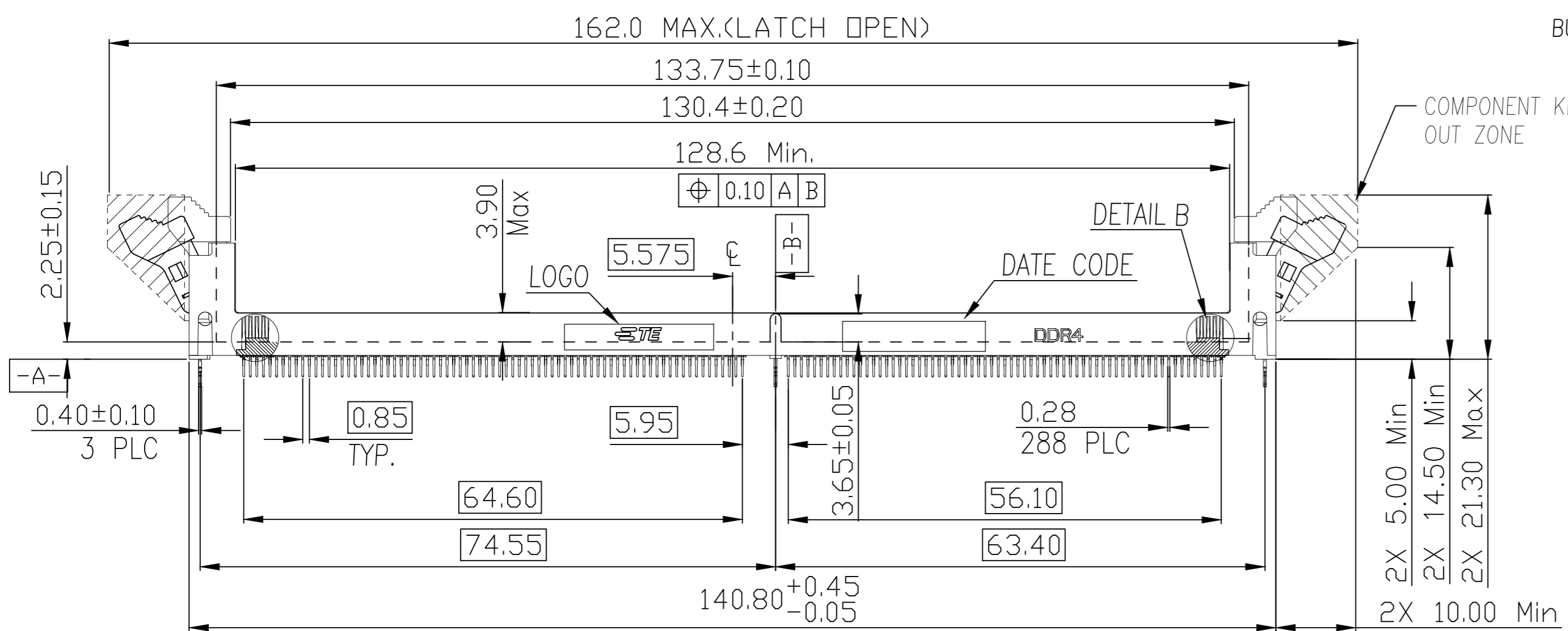
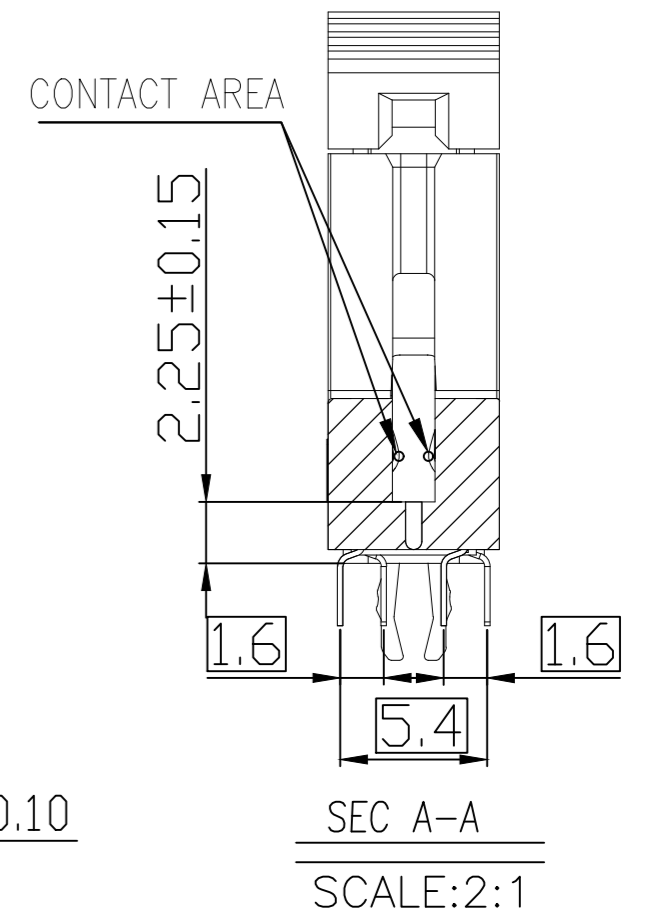
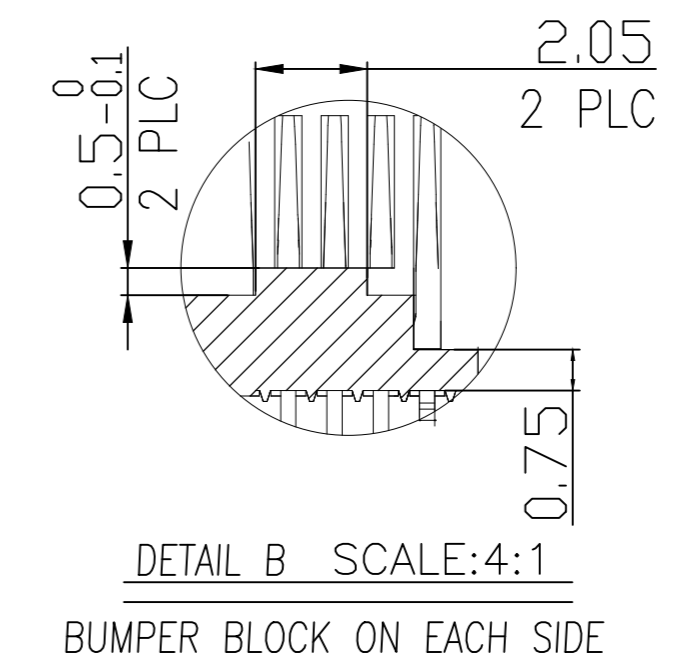
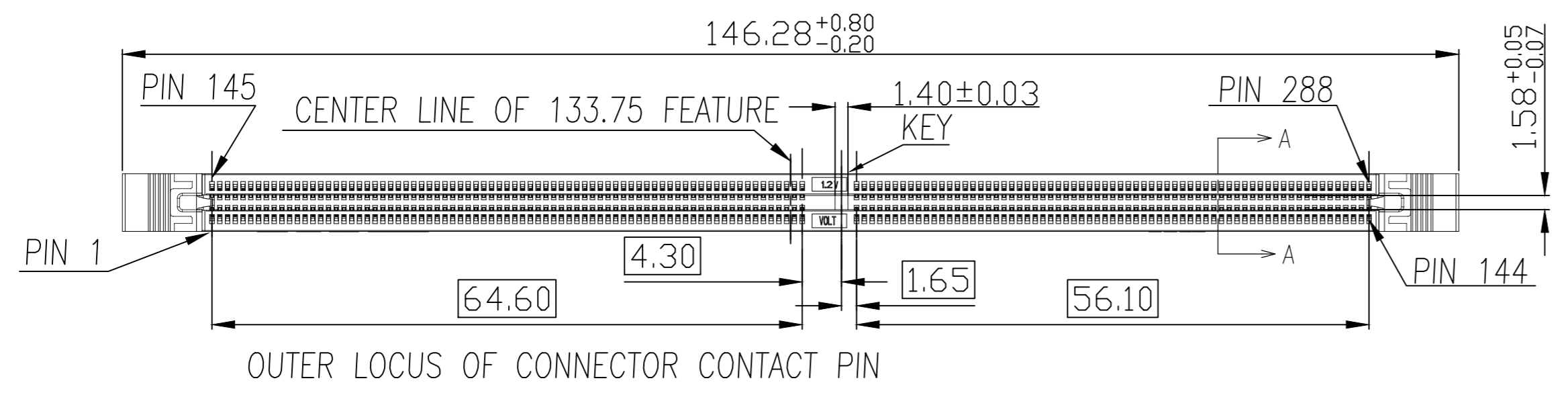


| REVISIONS | | | | |
|-----------|-----|---------------------------|-----------|---------|
| P | LTR | DESCRIPTION | DATE | APVD |
| 29 | | REVISED PER ECR-19-011318 | 14OCT2019 | D.Z S.L |

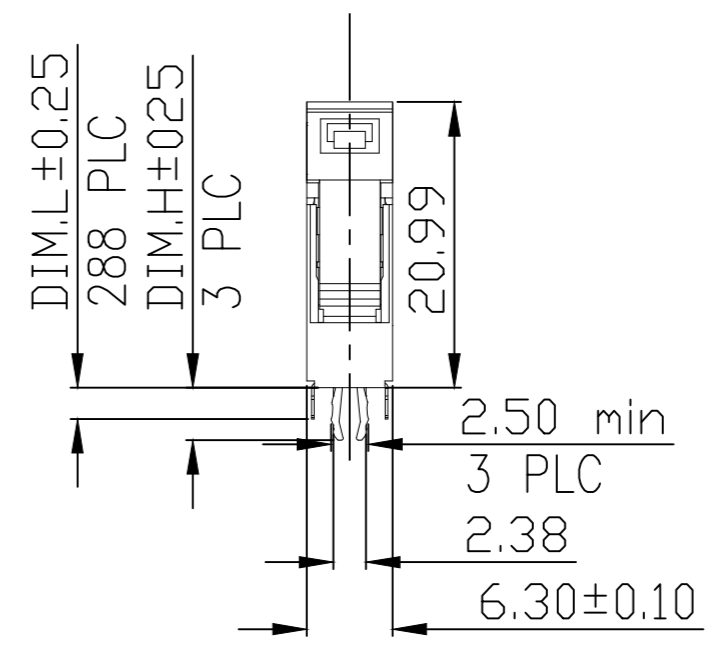
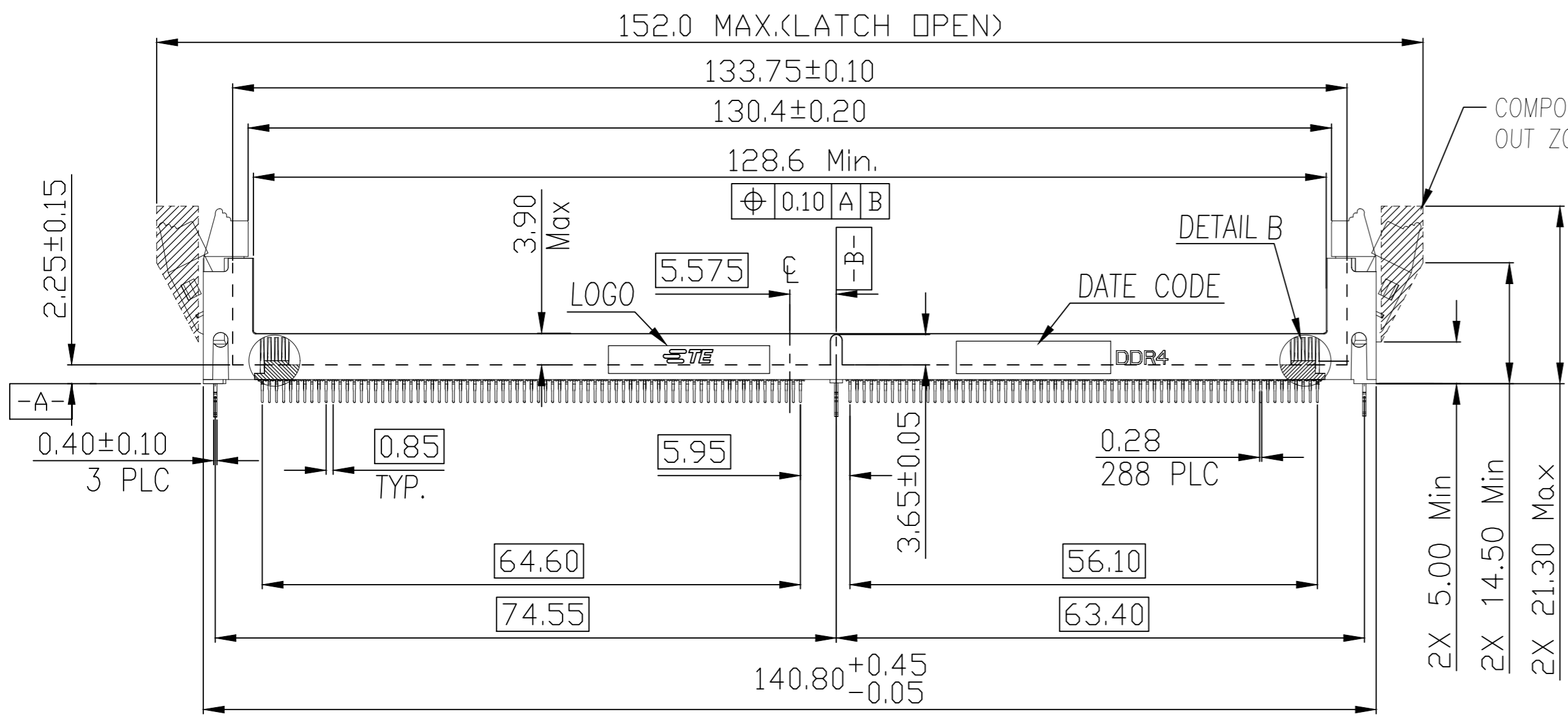
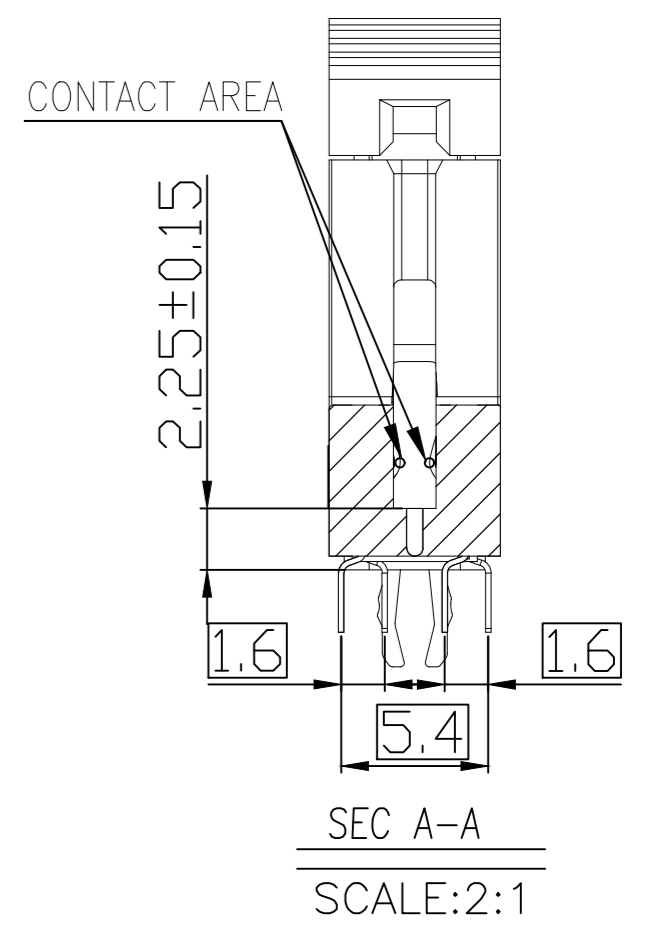
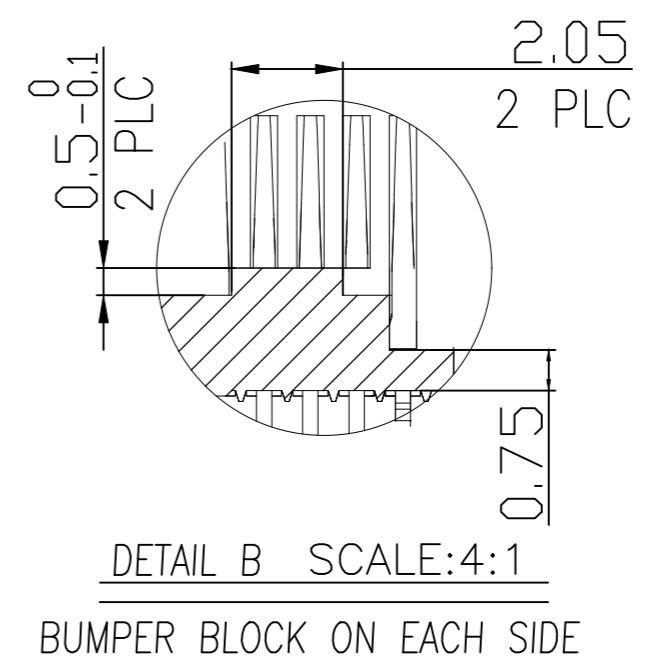
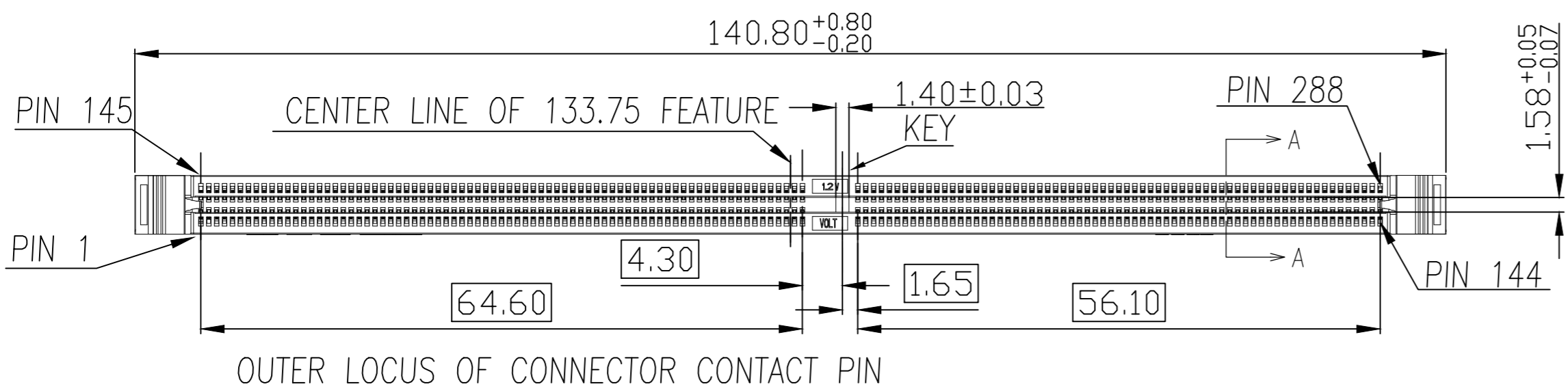


- NOTES:
- PRODUCT MEET CONTROLLED SUBSTANCES SPEC. ROHS 2.0
 - MATERIAL:
 - HOUSING: HIGH TEMPERATURE THERMOPLASTIC, UL94 V-0
 - LATCH: HIGH TEMPERATURE THERMOPLASTIC, UL94 V-0
 - CONTACT: COPPER ALLOY
 - BOARD LOCK: STAINLESS STEEL
 - INTERFACE FINISH:
 - 0.00038 MIN THK GOLD OVER 0.00127 MIN THK NICKEL.
 - GOLD FLASH OVER 0.00127 MIN THK NICKEL.
 - 0.00076 MIN THK GOLD OVER 0.00127 MIN THK NICKEL
 - SOLDER AREA: 2.54um[100u"] MIN. MATTE TIN PLATING.
 - WAVE SOLDER CAPABLE TO 270°C 10S.
 - KEEP OUT AREA RESERVED FOR SOCKET EXTRACTORS, BOTH ENDS.
 - SLOT LENGTH SHOULD BE INSPECTED AFTER SOLDERING.

DUAL LONG LATCH

| | | | | |
|---|--|---------------------------|---|-----------------|
| THIS DRAWING IS A CONTROLLED DOCUMENT. | | DWN DAVID ZHAO 15AUG2016 | TE Connectivity | |
| DIMENSIONS: mm | | CHK SIMON LI 15AUG2016 | | |
| TOLERANCES UNLESS OTHERWISE SPECIFIED: | | APVD COREL WANG 15AUG2016 | NAME | |
| 0 PLC ± - 1 PLC ± 0.25 2 PLC ± 0.15 3 PLC ± -0.10 4 PLC ± - ANGLES ± - FINISH - | | PRODUCT SPEC 108-115124 | SOCKET ASSEMBLY DDR4 DIMM,T/H TYPE 288 POSITION | |
| MATERIAL - | | APPLICATION SPEC - | SIZE A2 | CAGE CODE 00779 |
| | | WEIGHT 7.3g | DRAWING NO C=2308107 | RESTRICTED TO - |
| | | CUSTOMER DRAWING | SCALE 1:1 | SHEET 1 of 8 |
| | | | | REV 29 |

| REVISIONS | | | | | |
|-----------|-----|-------------|------|-----|------|
| P | LTR | DESCRIPTION | DATE | DWN | APVD |
| - | - | SEE SHEET 1 | - | - | - |




DUAL SHORT LATCH


| | | | | | | |
|--|--|---------------------------|--------------------|-----------------|----------------------|-----------|
| THIS DRAWING IS A CONTROLLED DOCUMENT. | | DWN DAVID ZHAO 15AUG2016 | | | NAME | |
| DIMENSIONS: mm | | CHK SIMON LI 15AUG2016 | | | SOCKET ASSEMBLY | |
| TOLERANCES UNLESS OTHERWISE SPECIFIED: | | APVD COREL WANG 15AUG2016 | DDR4 DIMM,T/H TYPE | | RESTRICTED TO | |
| 0 PLC ± - | | PRODUCT SPEC | 288 POSITION | | - | |
| 1 PLC ± 0.25 | | 108-115124 | SIZE A2 | CAGE CODE 00779 | DRAWING NO C=2308107 | SCALE 1:1 |
| 2 PLC ± 0.15 | | APPLICATION SPEC | SHEET 2 of 8 | | REV 29 | |
| 3 PLC ± -0.10 | | WEIGHT 7.0g | CUSTOMER DRAWING | | | |
| 4 PLC ± - | | FINISH - | | | | |
| ANGLES ± - | | | | | | |
| MATERIAL - | | | | | | |

THIS DRAWING IS UNPUBLISHED. RELEASED FOR PUBLICATION
 © COPYRIGHT - By - ALL RIGHTS RESERVED.


| REVISIONS | | | | | |
|-----------|-----|-------------|------|-----|------|
| P | LTR | DESCRIPTION | DATE | DWN | APVD |
| - | - | SEE SHEET 1 | - | - | - |

| HARD TRAY | NATURAL | BLACK | 30u" | 3.85 | 3.18 | 7-2308107-2 |
|--------------|-------------|---------------|---|-------|-------|-------------|
| SOFT TRAY I | BLUE<2935U> | BLUE<2935U> | 15u" | 3.57 | 2.67 | 7-2308107-1 |
| SOFT TRAY I | NATURAL | BLUE<2935U> | 30u" | 3.85 | 3.18 | 7-2308107-0 |
| SOFT TRAY I | BLACK_260°C | BLACK_260°C | 15u" | 3.57 | 2.67 | 6-2308107-8 |
| SOFT TRAY I | NATURAL | NATURAL | 15u" | 3.85 | 3.18 | 6-2308107-7 |
| SOFT TRAY I | NATURAL | BLACK | 15u" | 3.57 | 2.40 | 6-2308107-6 |
| SOFT TRAY I | NATURAL | BLUE<2935U> | 15u" | 3.85 | 3.18 | 6-2308107-5 |
| SOFT TRAY I | NATURAL | BLACK | 15u" | 3.85 | 3.18 | 6-2308107-4 |
| SOFT TRAY I | NATURAL | BLACK | 30u" | 3.57 | 2.67 | 6-2308107-3 |
| SOFT TRAY I | NATURAL | NATURAL | 30u" | 3.85 | 3.18 | 6-2308107-2 |
| SOFT TRAY I | GREEN<375C> | BLACK | 30u" | 3.85 | 3.18 | 6-2308107-1 |
| SOFT TRAY I | NATURAL | BLACK | 30u" | 3.85 | 3.18 | 6-2308107-0 |
| SOFT TRAY II | BLACK | BLACK | 30u" | 3.85 | 3.18 | 5-2308107-9 |
| SOFT TRAY I | NATURAL | NATURAL | 30u" | 3.57 | 2.10 | 5-2308107-8 |
| SOFT TRAY I | BLACK | BLACK | 30u" | 3.57 | 2.10 | 5-2308107-7 |
| SOFT TRAY I | BLACK | BLACK | 30u" | 3.57 | 2.67 | 5-2308107-6 |
| SOFT TRAY I | NATURAL | NATURAL | 30u" | 3.57 | 2.67 | 5-2308107-5 |
| SOFT TRAY I | BLACK | BLACK | 15u" | 3.57 | 2.67 | 5-2308107-4 |
| SOFT TRAY I | NATURAL | NATURAL | 15u" | 3.57 | 2.67 | 5-2308107-3 |
| SOFT TRAY I | NATURAL | BLUE<2935U> | 15u" | 3.57 | 2.67 | 5-2308107-2 |
| SOFT TRAY I | NATURAL | BLACK | 15u" | 3.57 | 2.67 | 5-2308107-1 |
| PACKING | LATCH COLOR | HOUSING COLOR | CONTACT GOLD INTERFACE  | DIM H | DIM L | PART NUMBER |

SHORT LATCH TYPE

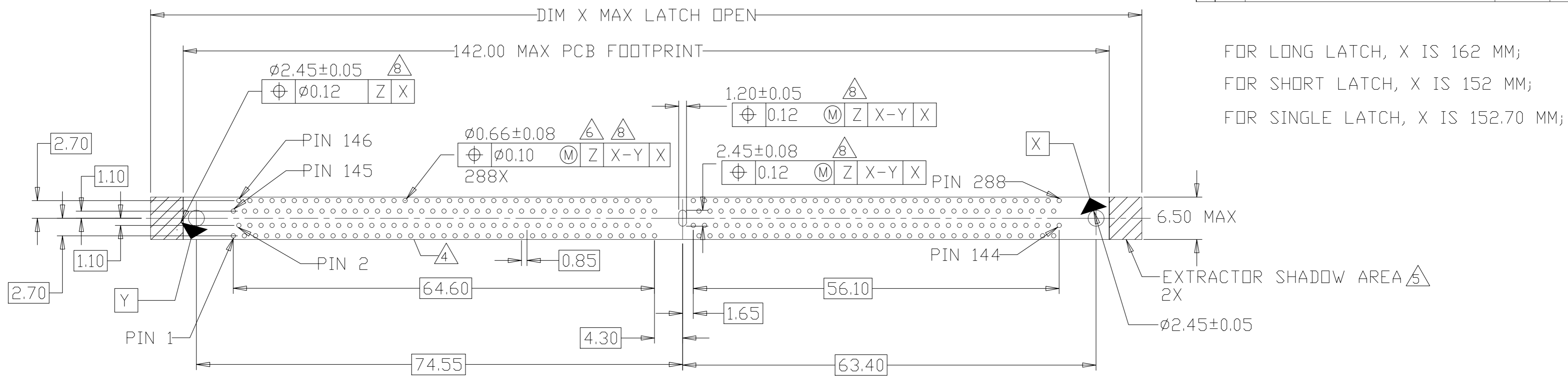
| | | | | | | |
|-------------|-------------------|-------------------|--|-------|-------|-------------|
| SOFT TRAY I | NATURAL_260°C | BLUE<2935U>_260°C | 30u" | 3.00 | 2.40 | 4-2308107-9 |
| SOFT TRAY I | NATURAL_260°C | BLACK_260°C | 30u" | 3.00 | 2.40 | 4-2308107-8 |
| HARD TRAY | NATURAL_260°C | BLACK_260°C | 15u" | 3.57 | 2.67 | 4-2308107-7 |
| SOFT TRAY I | BLUE<2935U> | BLUE<2935U> | 30u" | 3.57 | 2.67 | 4-2308107-6 |
| SOFT TRAY I | NATURAL | BLUE<2935U> | 30u" | 3.85 | 3.18 | 4-2308107-5 |
| SOFT TRAY I | NATURAL | YELLOW<107C> | 15u" | 3.57 | 2.67 | 4-2308107-4 |
| SOFT TRAY I | BLACK | BLACK | 15u" | 3.57 | 2.67 | 4-2308107-3 |
| SOFT TRAY I | BLUE<2935U> | BLUE<2935U> | 30u" | 3.85 | 3.18 | 4-2308107-2 |
| HARD TRAY | BLUE<2935U>_260°C | BLUE<2935U>_260°C | 15u" | 3.85 | 3.18 | 4-2308107-1 |
| HARD TRAY | BLACK_260°C | BLACK_260°C | 15u" | 3.85 | 3.18 | 4-2308107-0 |
| SOFT TRAY I | NATURAL | YELLOW<107C> | 30u" | 3.57 | 2.67 | 3-2308107-5 |
| SOFT TRAY I | NATURAL | YELLOW<107C> | 30u" | 3.57 | 2.40 | 3-2308107-1 |
| SOFT TRAY I | NATURAL | BLACK | 30u" | 3.57 | 2.40 | 3-2308107-0 |
| SOFT TRAY I | NATURAL | BLACK | 15u" | 3.57 | 2.67 | 2-2308107-7 |
| SOFT TRAY I | NATURAL | BLUE<2935U> | 15u" | 3.57 | 2.67 | 2-2308107-4 |
| SOFT TRAY I | NATURAL | BLACK | 30u" | 3.57 | 2.40 | 2-2308107-3 |
| SOFT TRAY I | NATURAL | BLACK | 30u" | 3.85 | 3.18 | 2-2308107-2 |
| SOFT TRAY I | NATURAL | BLACK | 15u" | 3.57 | 2.40 | 2-2308107-1 |
| SOFT TRAY I | BLUE<2935U> | BLUE<2935U> | 15u" | 3.85 | 3.18 | 2-2308107-0 |
| SOFT TRAY I | GREEN<375C> | GREEN<375C> | 15u" | 3.85 | 3.18 | 1-2308107-9 |
| SOFT TRAY I | NATURAL | NATURAL | 15u" | 3.85 | 3.18 | 1-2308107-8 |
| SOFT TRAY I | BLACK | BLACK | 15u" | 3.85 | 3.18 | 1-2308107-7 |
| SOFT TRAY I | BLACK | BLACK | 30u" | 3.57 | 2.10 | 1-2308107-6 |
| SOFT TRAY I | NATURAL | BLACK | 30u" | 3.57 | 2.10 | 1-2308107-5 |
| SOFT TRAY I | GREEN<375C> | BLACK | 30u" | 3.57 | 2.10 | 1-2308107-4 |
| SOFT TRAY I | BLACK | BLACK | 30u" | 3.57 | 2.67 | 1-2308107-3 |
| SOFT TRAY I | NATURAL | BLACK | 30u" | 3.57 | 2.67 | 1-2308107-2 |
| SOFT TRAY I | GREEN<375C> | BLACK | 30u" | 3.57 | 2.67 | 1-2308107-1 |
| SOFT TRAY I | NATURAL | BLACK | 15u" | 3.57 | 2.10 | 1-2308107-0 |
| SOFT TRAY I | NATURAL | BLUE<2935U> | 15u" | 3.57 | 2.10 | 2308107-9 |
| SOFT TRAY I | NATURAL | GREEN<375C> | 15u" | 3.57 | 2.10 | 2308107-8 |
| SOFT TRAY I | NATURAL | BLACK | 15u" | 3.85 | 3.18 | 2308107-7 |
| SOFT TRAY I | NATURAL | BLUE<2935U> | 15u" | 3.85 | 3.18 | 2308107-6 |
| SOFT TRAY I | NATURAL | NATURAL | 30u" | 3.57 | 2.40 | 2308107-5 |
| SOFT TRAY I | BLACK | BLACK | 30u" | 3.57 | 2.40 | 2308107-4 |
| SOFT TRAY I | NATURAL | GREEN<375C> | 15u" | 3.57 | 2.40 | 2308107-3 |
| SOFT TRAY I | NATURAL | BLUE<2935U> | 15u" | 3.57 | 2.40 | 2308107-2 |
| SOFT TRAY I | BLACK | BLACK | 15u" | 3.57 | 2.40 | 2308107-1 |
| PACKING | LATCH COLOR | HOUSING COLOR | CONTACT GOLD INTERFACE  | DIM H | DIM L | PART NUMBER |

LONG LATCH TYPE

| | | | | | |
|--|--|---------------------------|---|--|--|
| THIS DRAWING IS A CONTROLLED DOCUMENT. | | DWN DAVID ZHAO 15AUG2016 |  TE Connectivity | | |
| DIMENSIONS: mm | | CHK SIMON LI 15AUG2016 | | | |
| TOLERANCES UNLESS OTHERWISE SPECIFIED: | | APVD COREL WANG 15AUG2016 | NAME | | |
| 0 PLC ± - | | PRODUCT SPEC | SOCKET ASSEMBLY | | |
| 1 PLC ± 0.25 | | APPLICATION SPEC | DDR4 DIMM,T/H TYPE | | |
| 2 PLC ± 0.15 | | WEIGHT - | 288 POSITION | | |
| 3 PLC ± -0.10 | | SCALE 1:1 | RESTRICTED TO | | |
| 4 PLC ± - | | SHEET 3 of 8 | REV 29 | | |
| ANGLES ± - | | CUSTOMER DRAWING | A2 00779 C=2308107 | | |
| FINISH - | | | | | |

THIS DRAWING IS UNPUBLISHED. RELEASED FOR PUBLICATION
 © COPYRIGHT - By - ALL RIGHTS RESERVED.

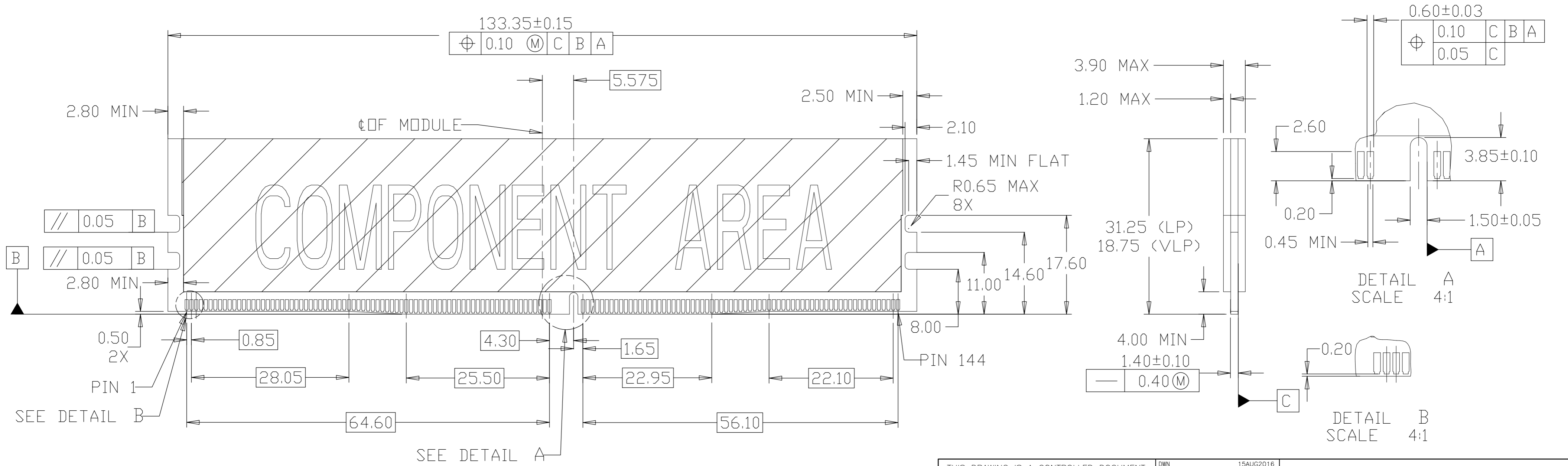
| REVISIONS | | | | | |
|-----------|-----|-------------|------|-----|------|
| P | LTR | DESCRIPTION | DATE | DWN | APVD |
| - | - | SEE SHEET 1 | - | - | - |



FOR LONG LATCH, X IS 162 MM;
 FOR SHORT LATCH, X IS 152 MM;
 FOR SINGLE LATCH, X IS 152.70 MM;

RECOMMENDED PCB LAYOUT

VIEWED FROM CONNECTOR SIDE

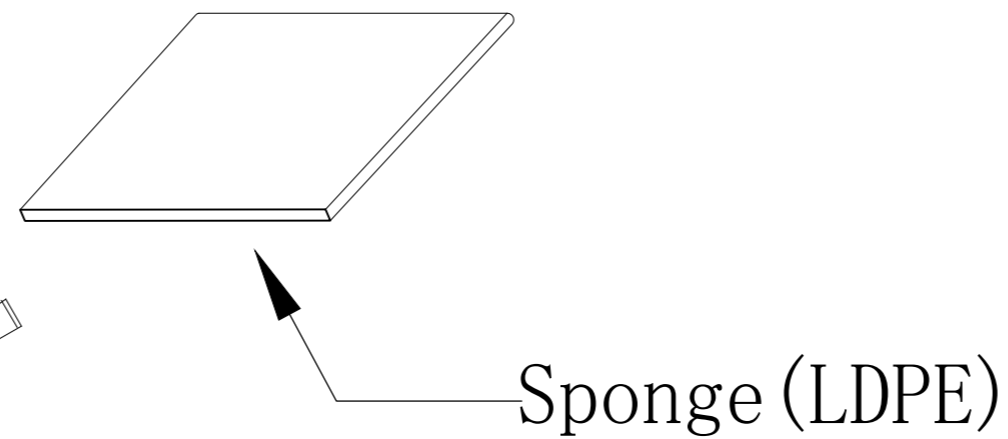
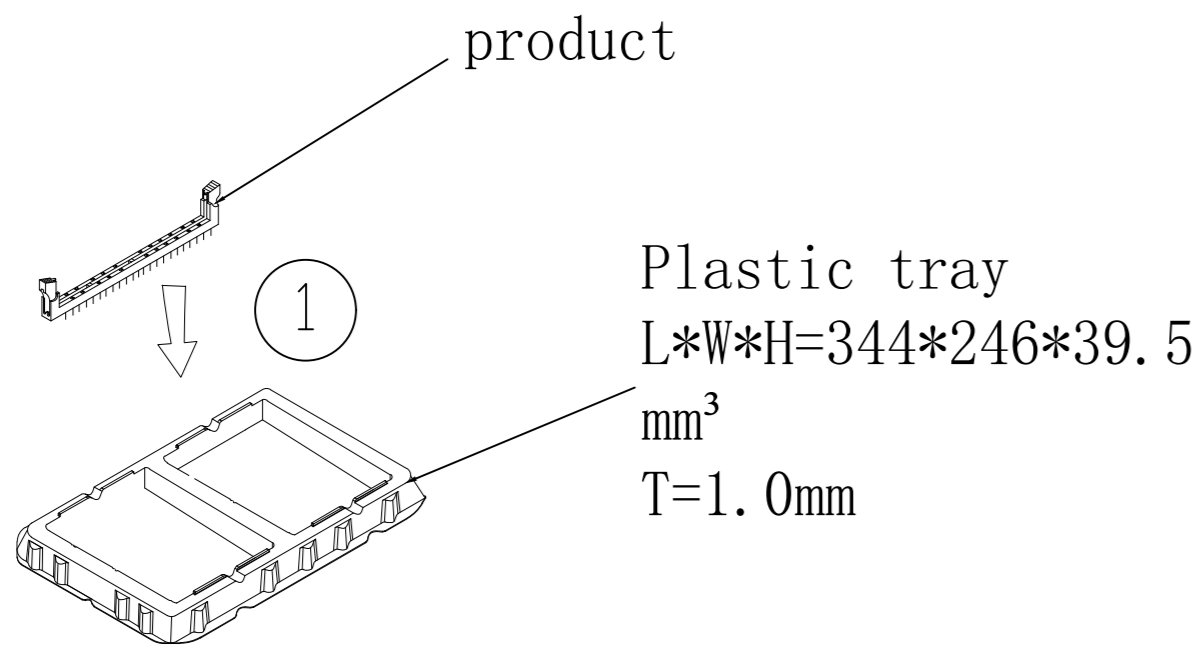


RECOMMENDED MODULE LAYOUT

| | | | | |
|--|--|---------------------------|--------------------|----------------------|
| THIS DRAWING IS A CONTROLLED DOCUMENT. | | DWN DAVID ZHAO 15AUG2016 | TE Connectivity | |
| DIMENSIONS: mm | | CHK SIMON LI 15AUG2016 | | |
| TOLERANCES UNLESS OTHERWISE SPECIFIED: | | APVD COREL WANG 15AUG2016 | NAME | |
| 0 PLC ± - | | PRODUCT SPEC | SOCKET ASSEMBLY | |
| 1 PLC ± 0.25 | | APPLICATION SPEC | DDR4 DIMM,T/H TYPE | |
| 2 PLC ± 0.15 | | WEIGHT - | 288 POSITION | |
| 3 PLC ± -0.10 | | CUSTOMER DRAWING | SIZE A2 | RESTRICTED TO - |
| 4 PLC ± - | | SCALE 1:1 | CAGE CODE 00779 | DRAWING NO C=2308107 |
| ANGLES ± - | | SHEET 5 of 8 | REV 29 | |
| FINISH - | | | | |

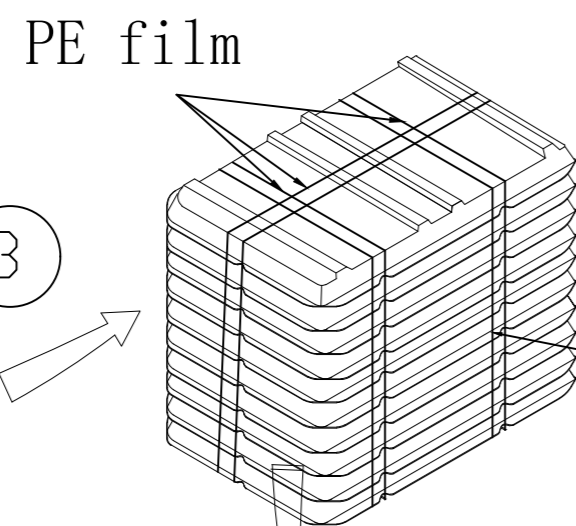
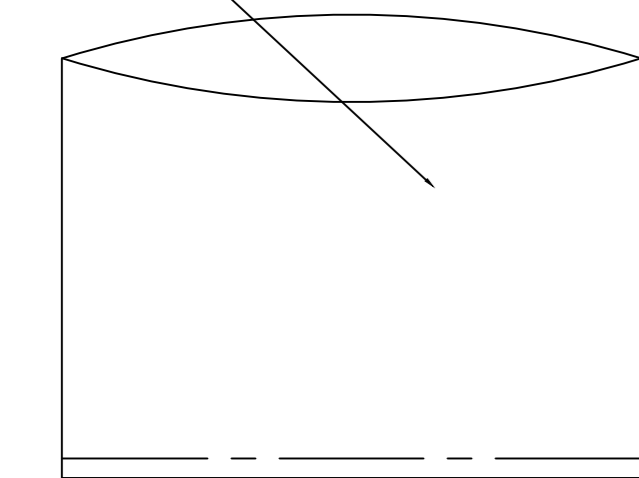
THIS DRAWING IS UNPUBLISHED. RELEASED FOR PUBLICATION
 © COPYRIGHT - By - ALL RIGHTS RESERVED.

| REVISIONS | | | | | |
|-----------|-----|-------------|------|-----|------|
| P | LTR | DESCRIPTION | DATE | DWN | APVD |
| - | - | SEE SHEET 1 | - | - | - |

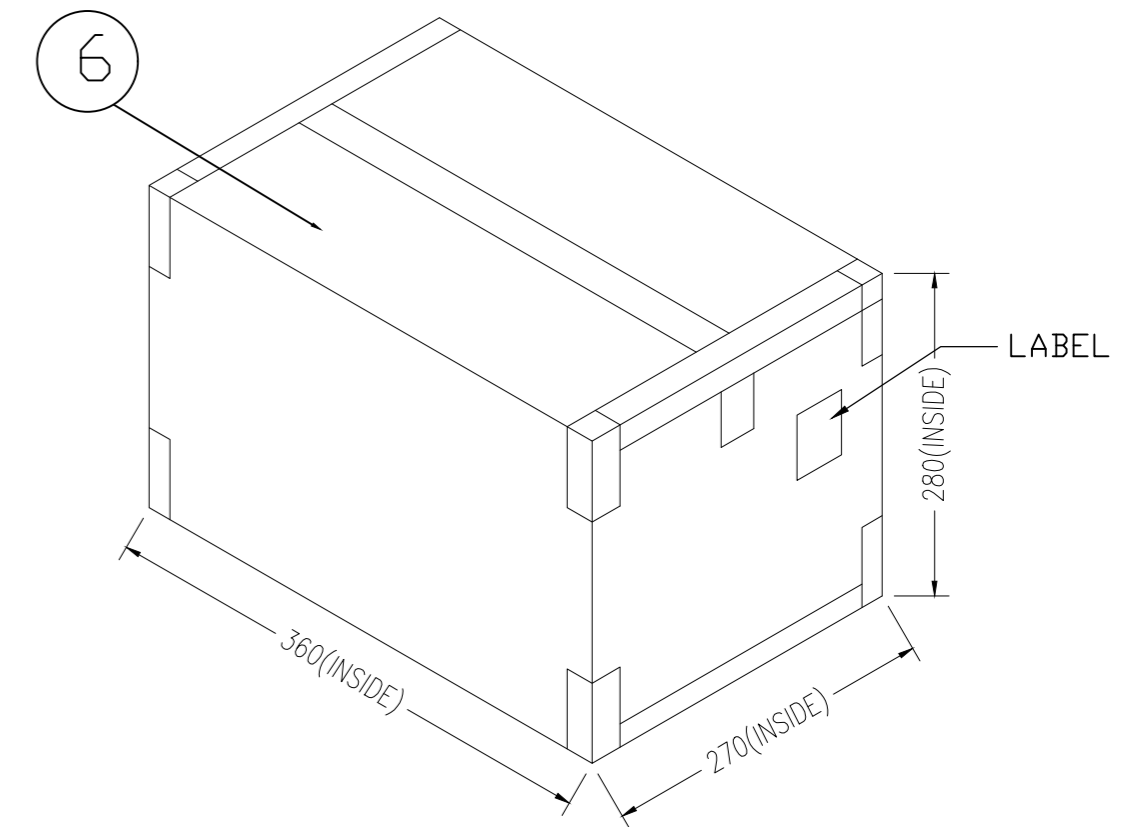
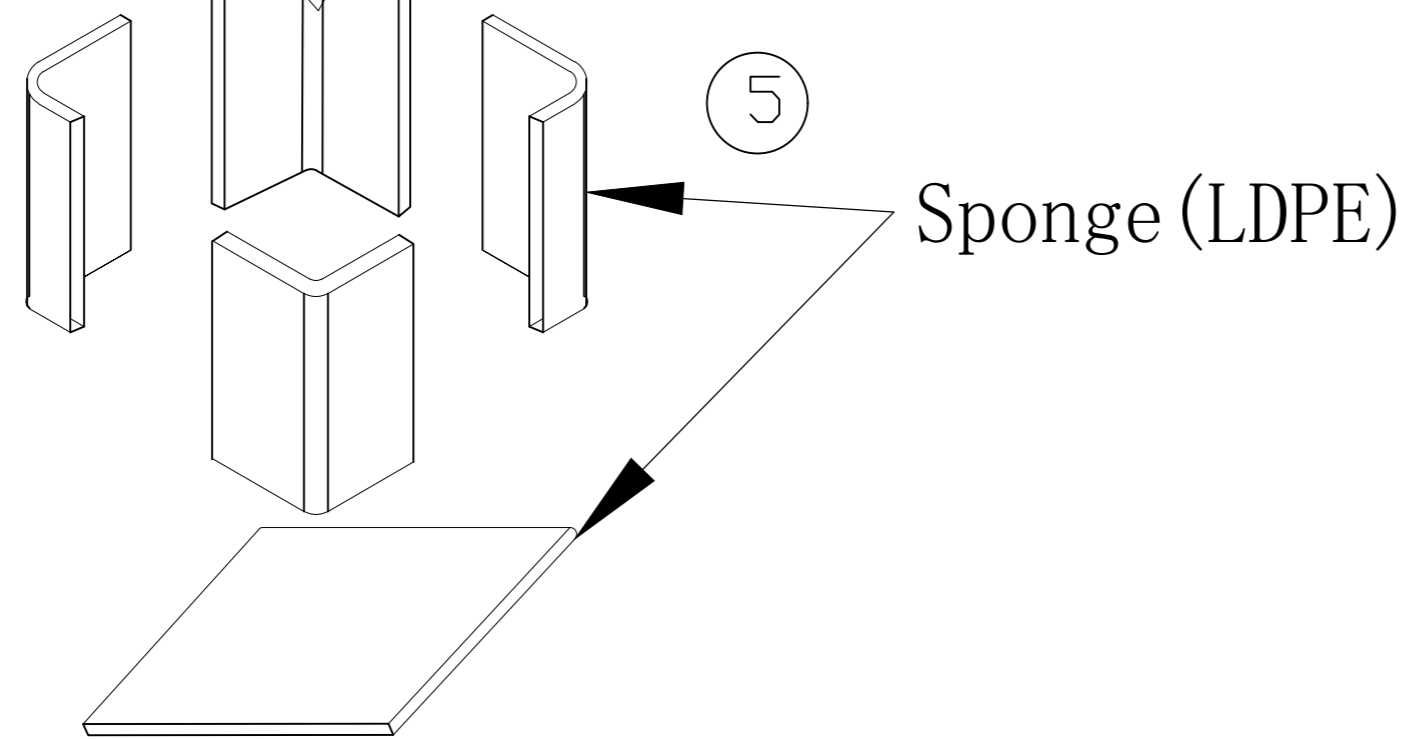


| | | | | | |
|--------------|------------|-----------|-----------|----------|-------------|
| 5.4kg | 3.5kg | 50 | 10 | 500 | SEE PAGE 3 |
| GROSS WEIGHT | NET WEIGHT | PCS/ TRAY | TRAY/ BOX | PCS/ BOX | PART NUMBER |

Waterproof bag



Each box has 10 plastic trays and 1 plastic lid. Each plastic tray has 50 products.
 500 products in a box in total, and then with PE film to fix around it.

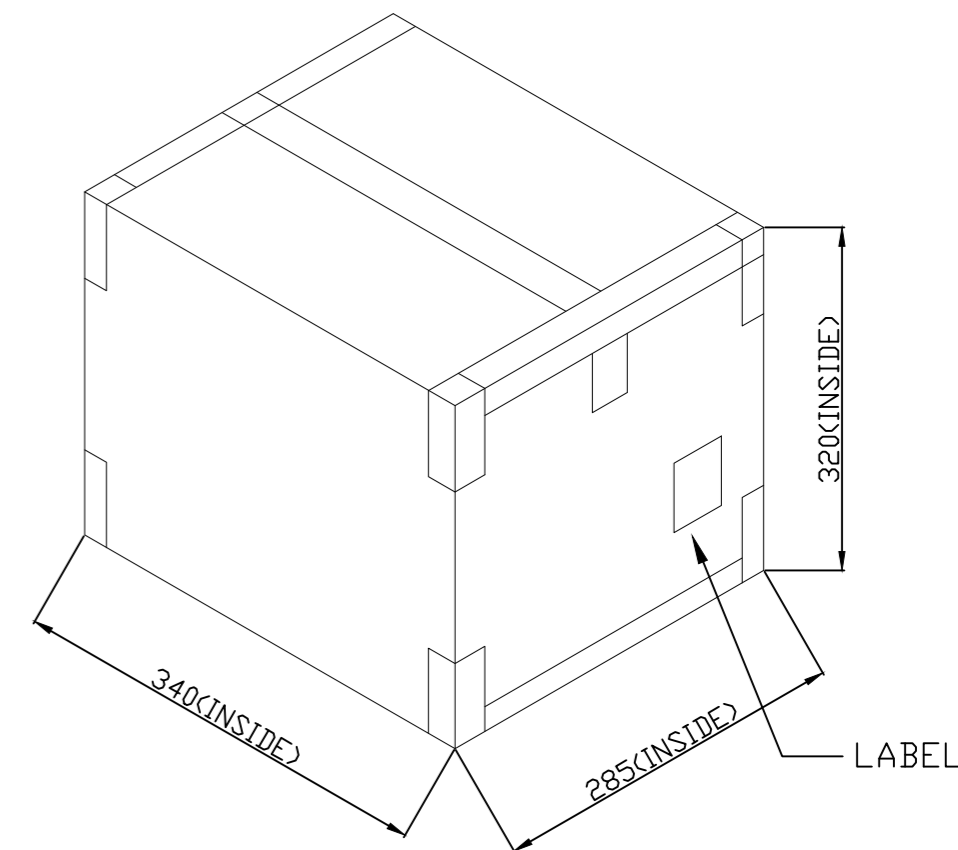
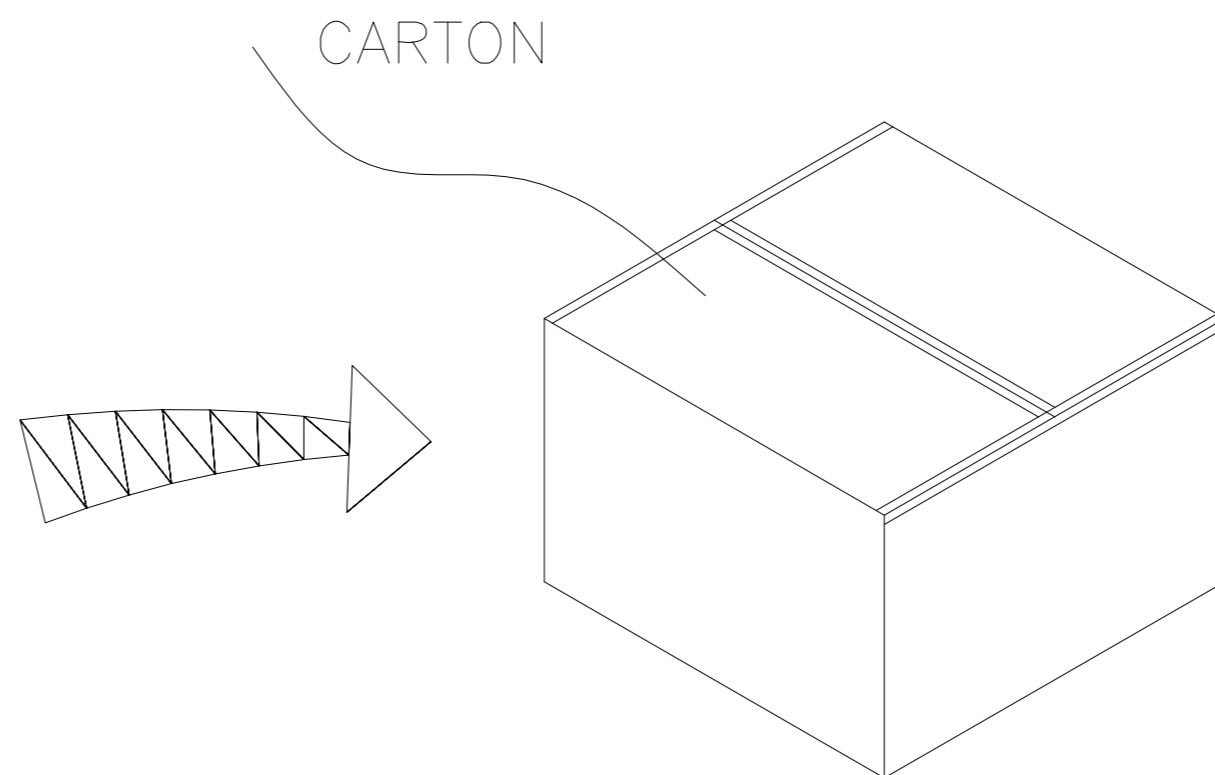
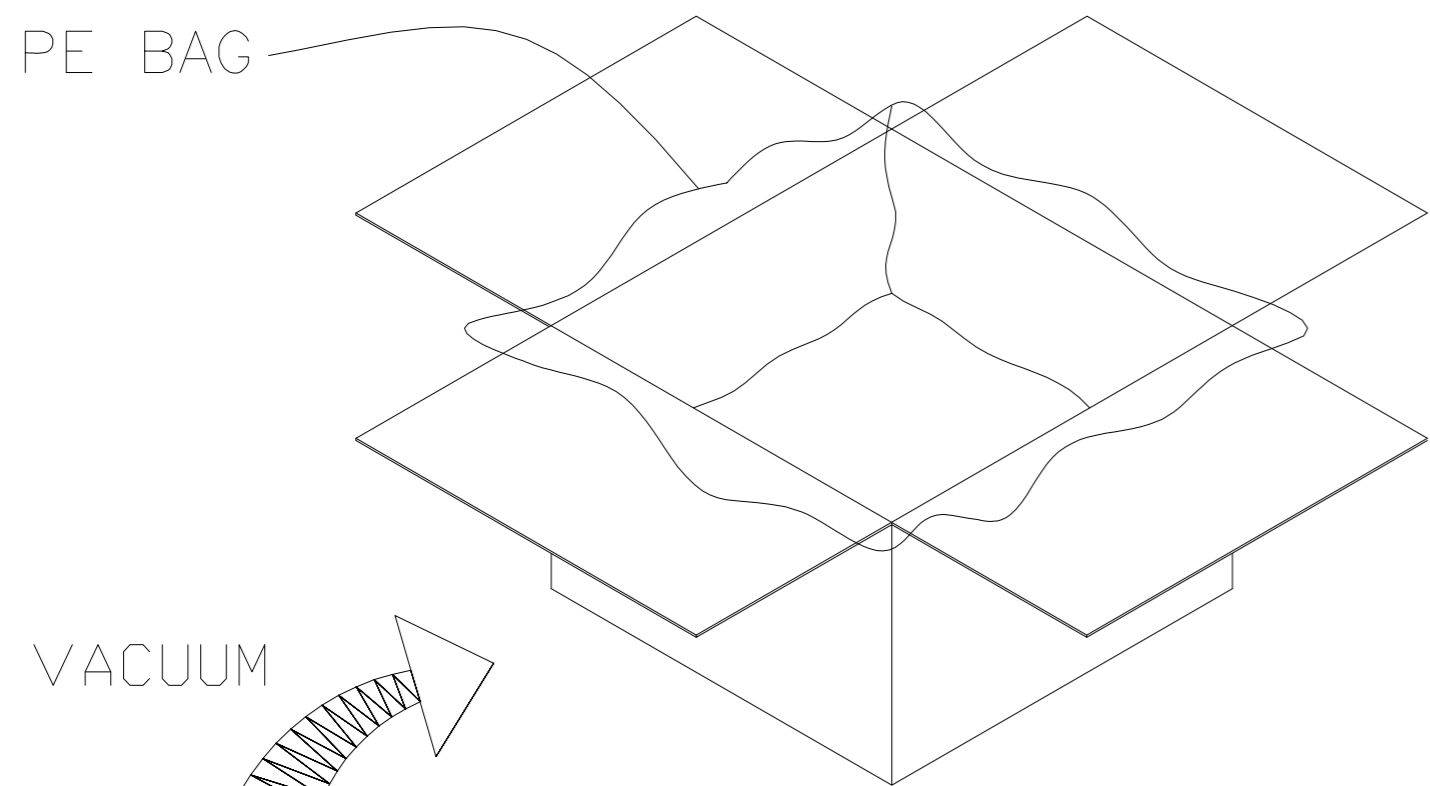
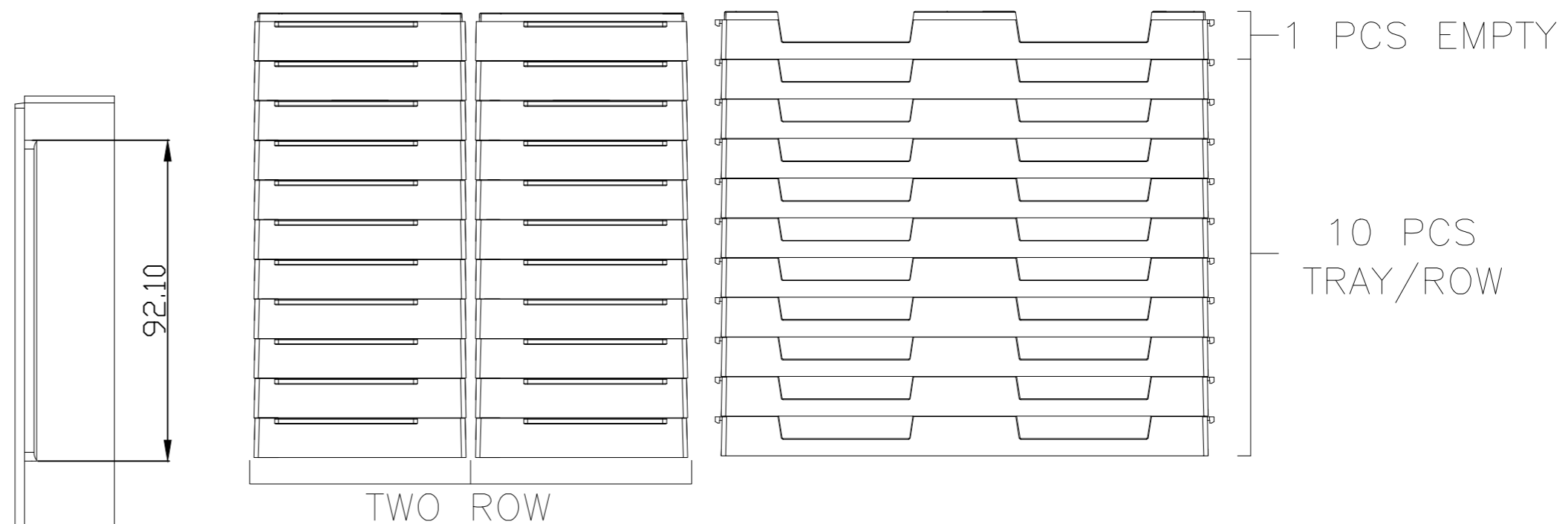
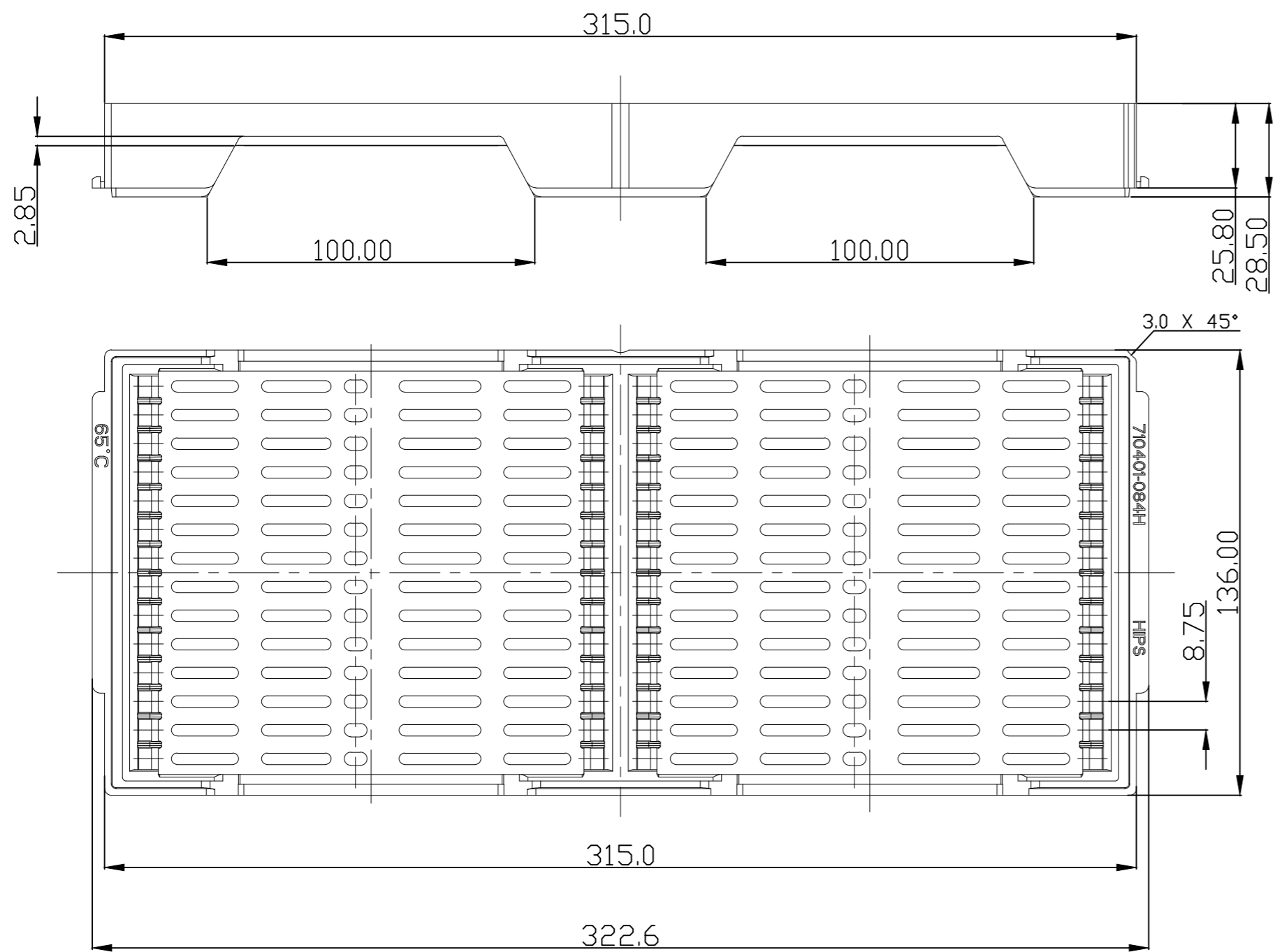


SOFT TRAY I

| | | | | |
|--|--|---------------------------|----------------------------|-----------------|
| THIS DRAWING IS A CONTROLLED DOCUMENT. | | DWN DAVID ZHAO 15AUG2016 | STE TE Connectivity | |
| | | CHK SIMON LI 15AUG2016 | | |
| DIMENSIONS: mm | | APVD COREL WANG 15AUG2016 | NAME | |
| TOLERANCES UNLESS OTHERWISE SPECIFIED: | | PRODUCT SPEC | SOCKET ASSEMBLY | |
| 0 PLC ± - | | APPLICATION SPEC | DDR4 DIMM,T/H TYPE | |
| 1 PLC ± 0.25 | | WEIGHT - | SIZE A2 | CAGE CODE 00779 |
| 2 PLC ± 0.15 | | FINISH - | DRAWING NO C=2308107 | RESTRICTED TO - |
| 3 PLC ± -0.10 | | CUSTOMER DRAWING | | |
| 4 PLC ± - | | SCALE 1:1 | SHEET 6 of 8 | REV 29 |
| ANGLES ± - | | | | |

THIS DRAWING IS UNPUBLISHED. RELEASED FOR PUBLICATION
 © COPYRIGHT - By - ALL RIGHTS RESERVED.

| REVISIONS | | | | | |
|-----------|-----|-------------|------|-----|------|
| P | LTR | DESCRIPTION | DATE | DWN | APVD |
| - | - | SEE SHEET 1 | - | - | - |



THE 22 PCS HARD TRAY INTO CARTON

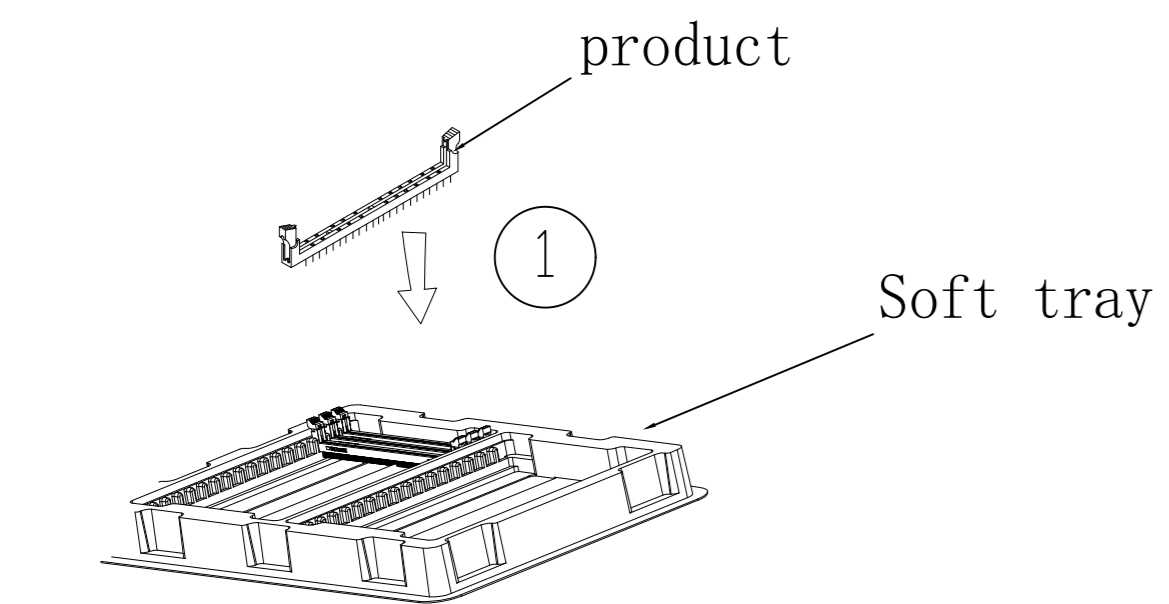
| 4.8kg | 3.92kg | 28 | 20 | 560 | SEE PAGE 3 |
|--------------|------------|-----------|-----------|----------|-------------|
| GROSS WEIGHT | NET WEIGHT | PCS/ TRAY | TRAY/ BOX | PCS/ BOX | PART NUMBER |

HARD TRAY

| | | | | | |
|--|--|---------------------------|--------------------|-----------------|----------------------|
| THIS DRAWING IS A CONTROLLED DOCUMENT. | | DWN DAVID ZHAO 15AUG2016 | TE Connectivity | | |
| DIMENSIONS: mm | | CHK SIMON LI 15AUG2016 | | | |
| TOLERANCES UNLESS OTHERWISE SPECIFIED: | | APVD COREL WANG 15AUG2016 | NAME | | |
| 0 PLC ± - | | PRODUCT SPEC 108 | SOCKET ASSEMBLY | | |
| 1 PLC ± 0.25 | | APPLICATION SPEC - | DDR4 DIMM,T/H TYPE | | |
| 2 PLC ± 0.15 | | WEIGHT - | SIZE A2 | CAGE CODE 00779 | DRAWING NO C=2308107 |
| 3 PLC ± -0.10 | | FINISH - | RESTRICTED TO - | | SCALE 1:1 |
| 4 PLC ± - | | | SHEET 7 of 8 | | REV 29 |
| ANGLES ± - | | | CUSTOMER DRAWING | | |

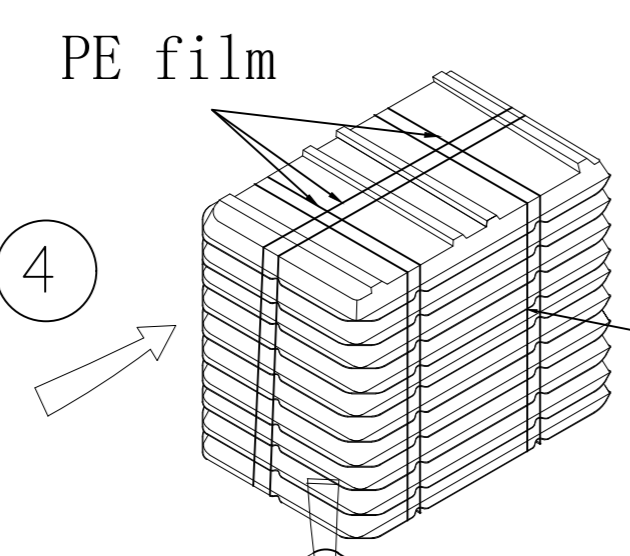
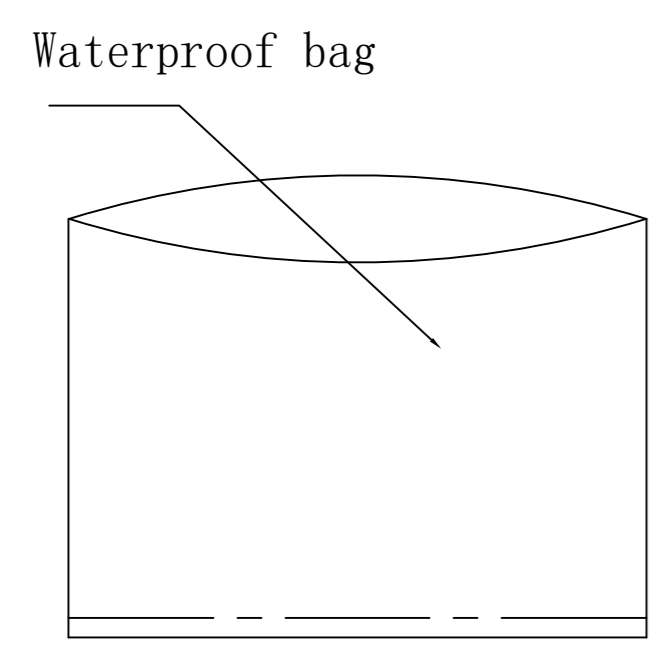
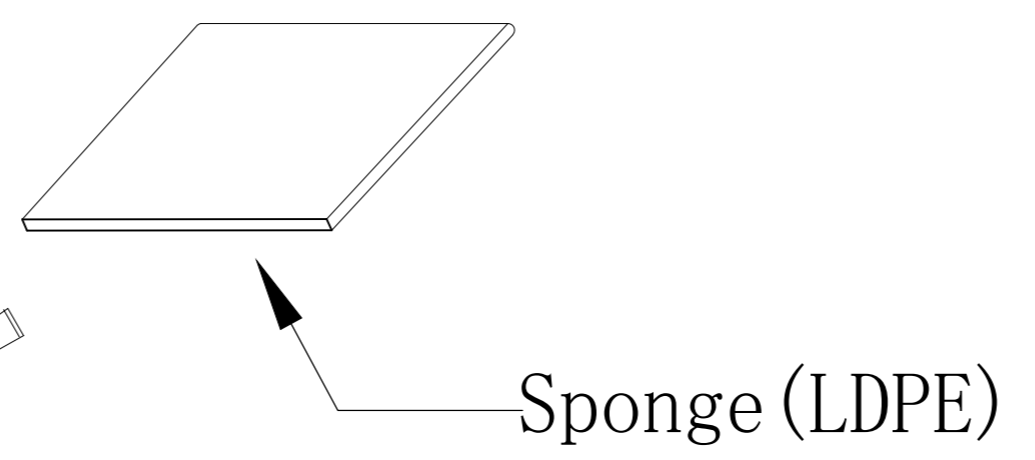
THIS DRAWING IS UNPUBLISHED. RELEASED FOR PUBLICATION
 © COPYRIGHT - By - ALL RIGHTS RESERVED.

| REVISIONS | | | | | |
|-----------|-----|-------------|------|-----|------|
| P | LTR | DESCRIPTION | DATE | DWN | APVD |
| - | - | SEE SHEET 1 | - | - | - |

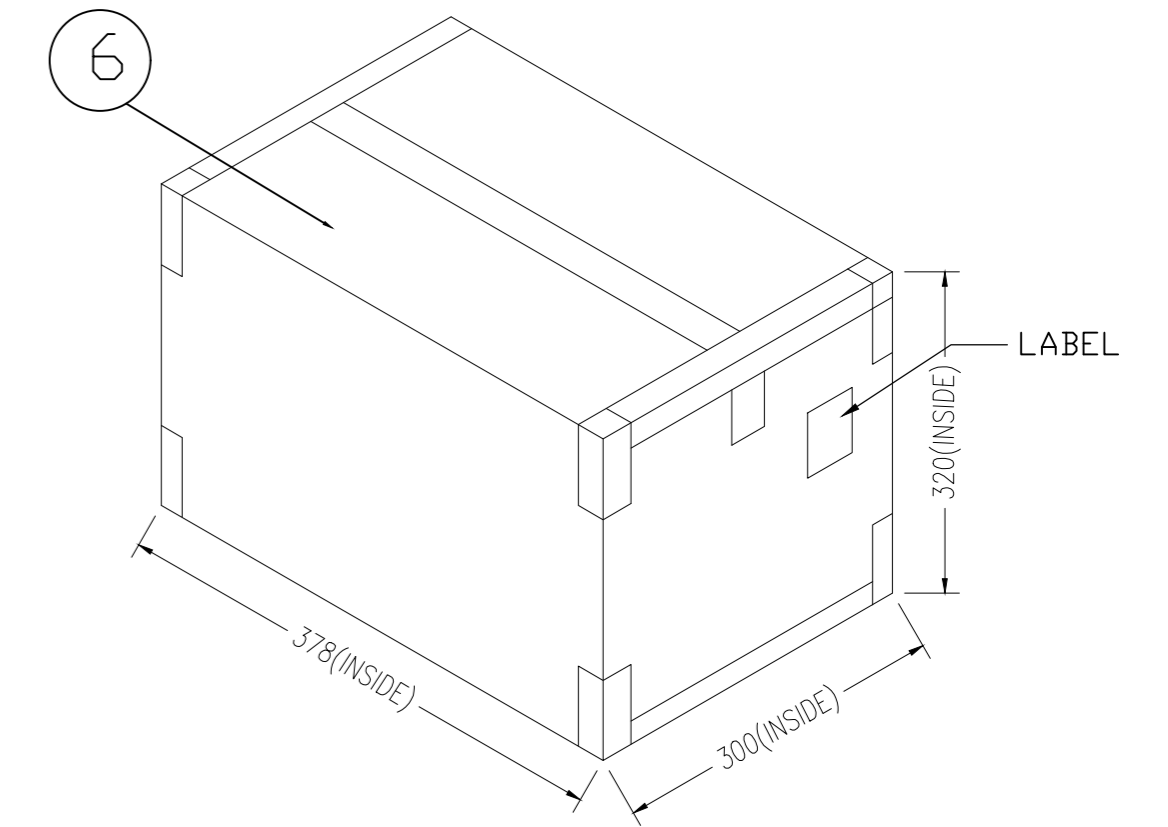
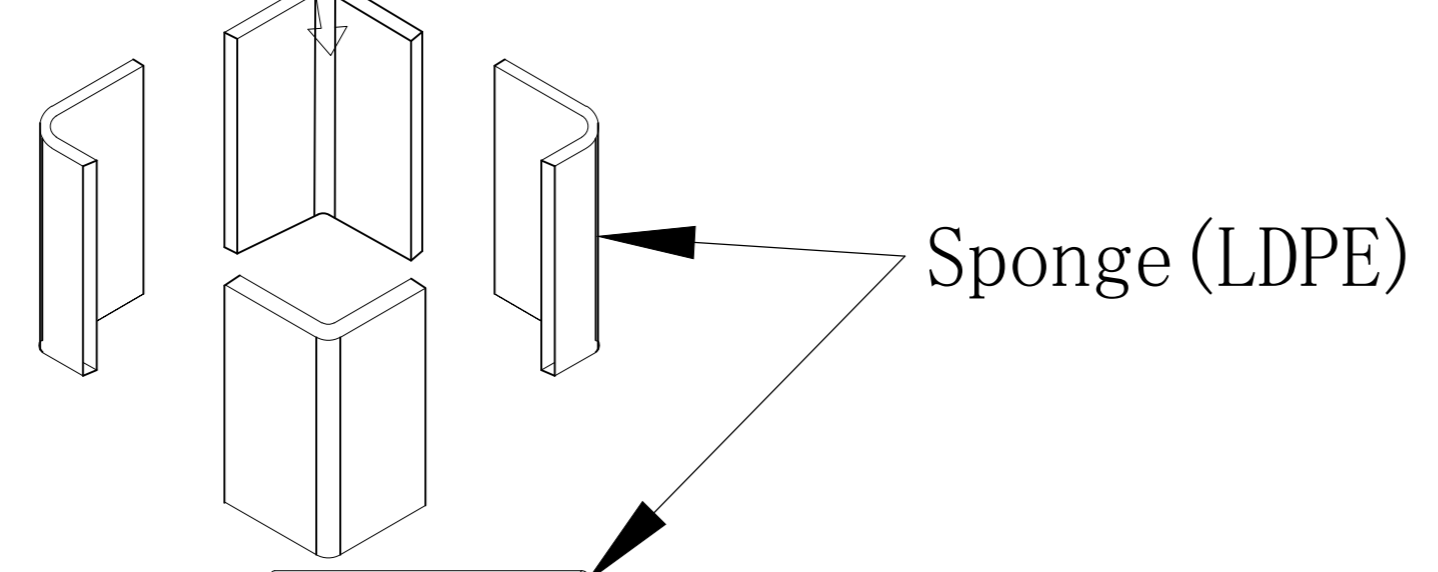


Only suitable for 5-2308107-9

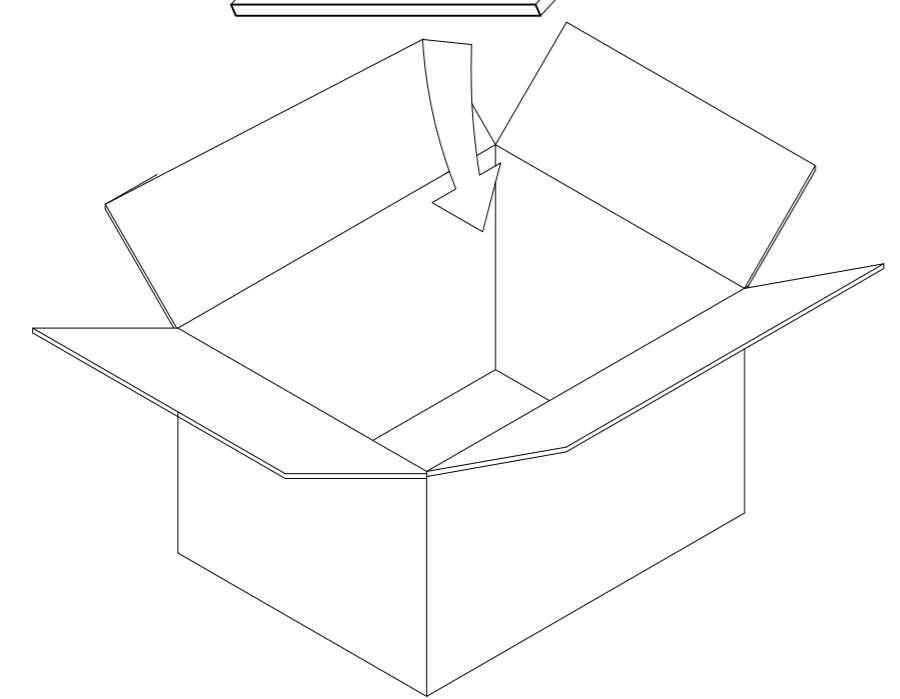
| | | | | | |
|--------------|------------|-----------|-----------|----------|-------------|
| 4.3kg | 2.4kg | 40 | 10 | 400 | 5-2308107-9 |
| GROSS WEIGHT | NET WEIGHT | PCS/ TRAY | TRAY/ BOX | PCS/ BOX | PART NUMBER |



Each box has 10 soft trays and 1 soft lid. Each soft tray has 40 products. 400 products in a box in total, and then with PE film to fix around it.



SOFT TRAY II



| | | | | |
|--|--|---------------------------|--------------------|----------------------|
| THIS DRAWING IS A CONTROLLED DOCUMENT. | | DWN DAVID ZHAO 15AUG2016 | TE Connectivity | |
| DIMENSIONS: mm | | CHK SIMON LI 15AUG2016 | | |
| TOLERANCES UNLESS OTHERWISE SPECIFIED: | | APVD COREL WANG 15AUG2016 | NAME | |
| 0 PLC ± - | | PRODUCT SPEC | SOCKET ASSEMBLY | |
| 1 PLC ± 0.25 | | APPLICATION SPEC | DDR4 DIMM,T/H TYPE | |
| 2 PLC ± 0.15 | | WEIGHT - | SIZE A2 | RESTRICTED TO - |
| 3 PLC ± -0.10 | | CUSTOMER DRAWING | CAGE CODE 00779 | DRAWING NO C=2308107 |
| 4 PLC ± - | | FINISH - | SCALE 1:1 | SHEET 8 of 8 |
| ANGLES ± - | | | | REV 29 |