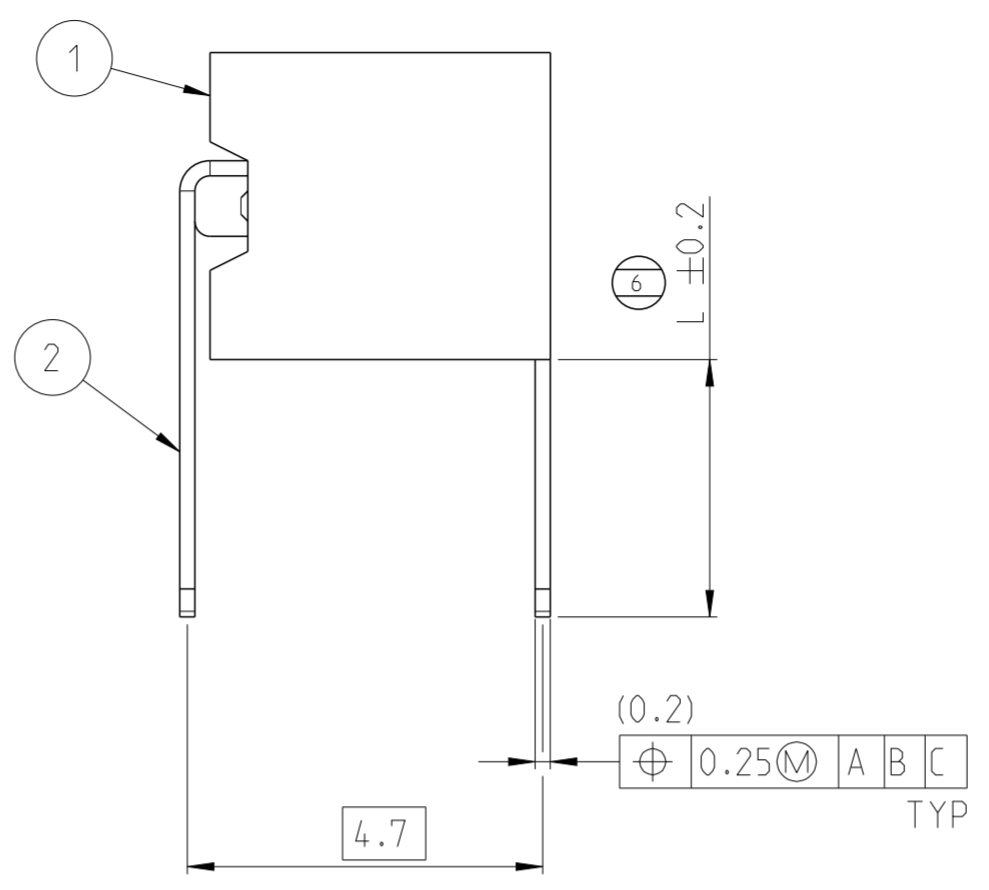
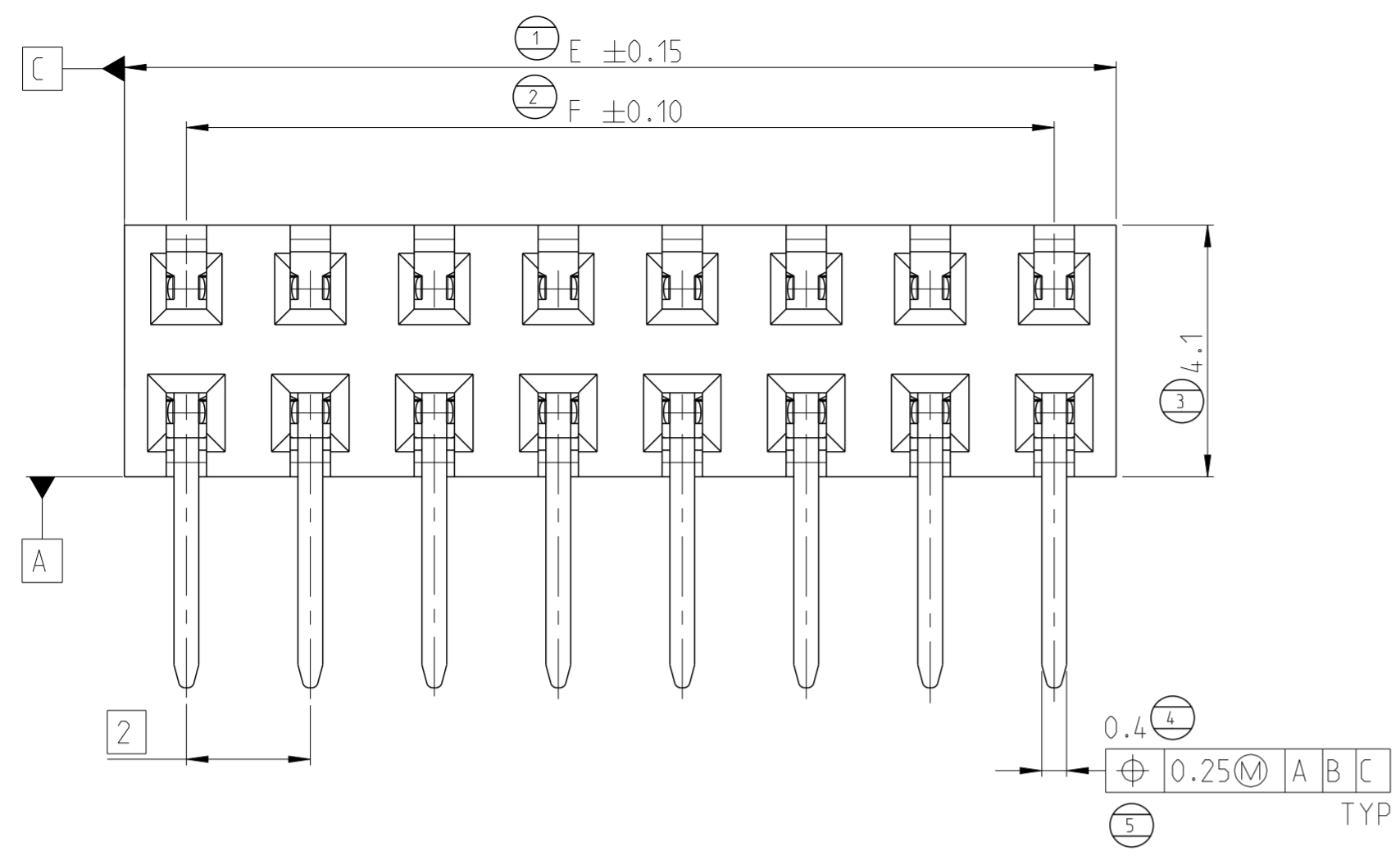
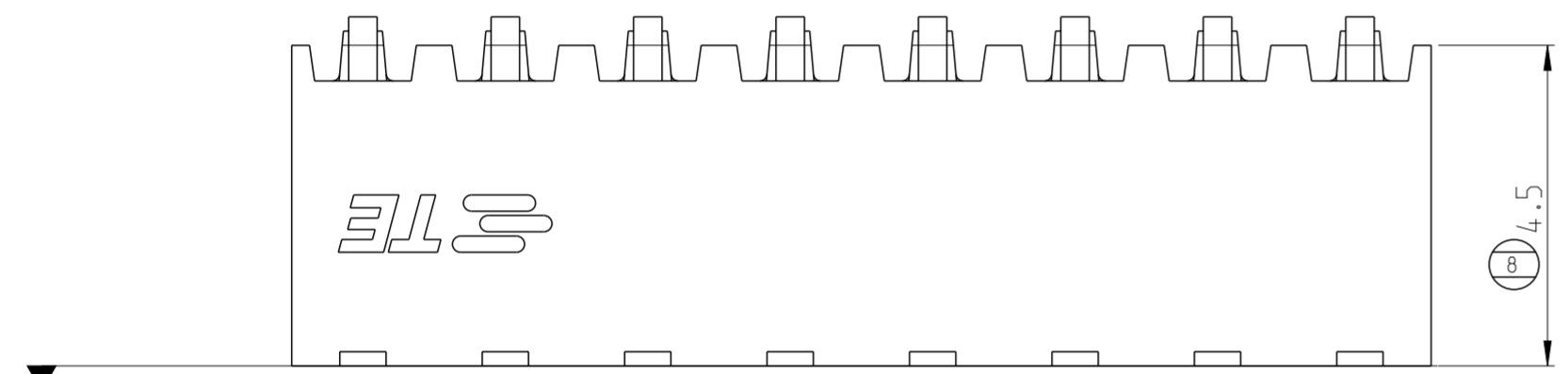


© 2021 TE Connectivity. All Rights Reserved.

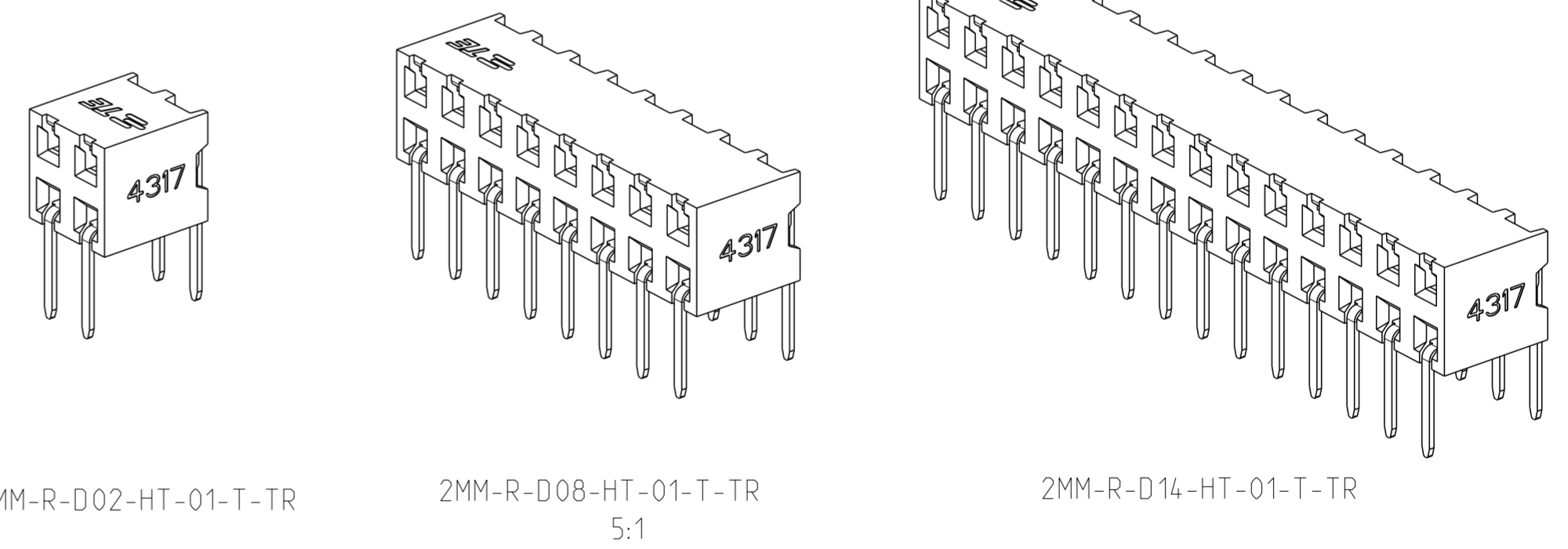
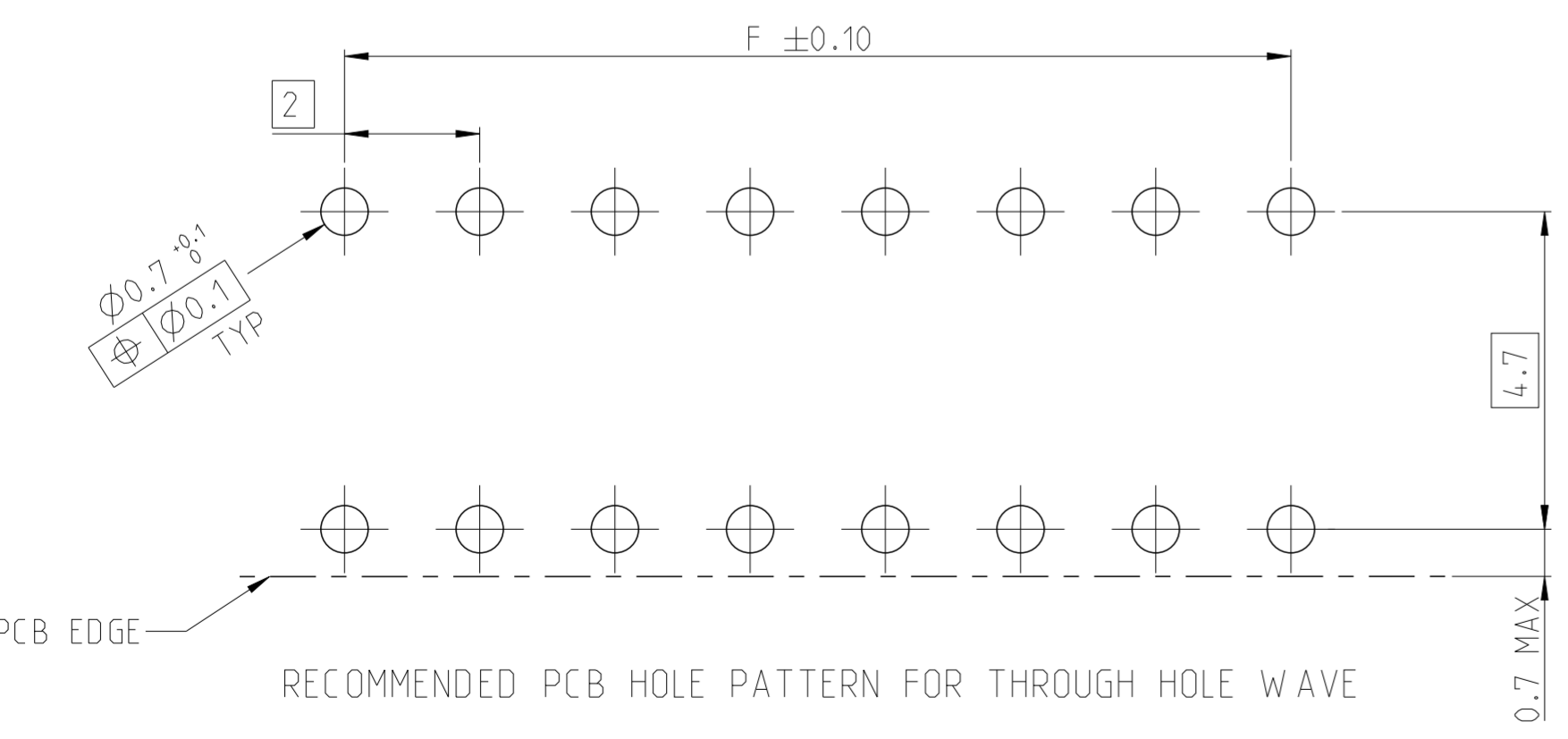
REVISIONS				
P	LTR	DESCRIPTION	DATE	APVD
A2		ECR-21-115824	05OCT2021	SCB AY
A3		SMART PN DETAILS ADDED	19APR2022	SCB PS
A4		PACKAGING DETAILS ADDED	04AUG2025	KS SR



- NOTES:
- 1 MATERIAL:
HOUSING: LCP, UL94 V0, BLACK
CONTACT: PHOSPHOR BRONZE, 0.20mm THICK.
 - 2 ALL OVER 3-5 μm TIN OVER MIN 1.27 μm NICKEL UNDERPLATE
 - 3 CONTACT AREA: MIN 0.1 μm GOLD
SOLDER TAIL: 3-5 μm TIN
UNDERPLATING: MIN 1.27 μm NICKEL ALL OVER
 - 4 CONTACT AREA: MIN 0.38 μm GOLD
SOLDER TAIL: 3-5 μm TIN
UNDERPLATING: MIN 1.27 μm NICKEL ALL OVER
 - 5 CONTACT AREA: MIN 0.76 μm GOLD
SOLDER TAIL: 3-5 μm TIN
UNDERPLATING: MIN 1.27 μm NICKEL ALL OVER
 - 6 N = NO. OF POSITIONS PER CONNECTOR.



CONTACT	2
HOUSING	1
DESCRIPTION	ITEM



THIS DRAWING IS A CONTROLLED DOCUMENT.		DWN 28NOV2017 SOURAV DAS	TE Connectivity	
DIMENSIONS: mm		CHK 22NOV2018 SHARATH S		
TOLERANCES UNLESS OTHERWISE SPECIFIED:		APVD 22NOV2018 PRASHANTH S	NAME AMPMODU 2mm, BtB RECEPTACLE, DUAL ROW HORIZONTAL, TH/THR	
0 PLC ±		PRODUCT SPEC 108-64040	SIZE A2	
1 PLC ±0.2		APPLICATION SPEC 114-32186	CAGE CODE 00779	DRAWING NO C-2307712
2 PLC ±0.1		WEIGHT -	SCALE 5:1	SHEET 1 OF 3
3 PLC ±		CUSTOMER DRAWING	RESTRICTED TO -	REV A4
4 PLC ±				
ANGLES ±2°				
FINISH SEE NOTES				

REVISIONS

P	LTR	DESCRIPTION	DATE	DWN	APVD
-	-	SEE SHEET 1	-	-	-

MATING SIDE PLATING (FINISH)	"L" SOLDER TAIL LENGTH	BTB RECEPTACLE BASE NUMBERS	
		TAPE & REEL PKG W/O CAP	TUBE PKG W/O CAP
TIN 2	2.1	2MM-R-D__-HT-01-T-TR	2MM-R-D__-HT-01-T-TB
	2.8	2MM-R-D__-HT-02-T-TR	2MM-R-D__-HT-02-T-TB
	3.4	A/R	2MM-R-D__-HT-03-T-TB
GOLD FLASH 0.1µm 3	2.1	2MM-R-D__-HT-01-F-TR	2MM-R-D__-HT-01-F-TB
	2.8	2MM-R-D__-HT-02-F-TR	2MM-R-D__-HT-02-F-TB
	3.4	A/R	2MM-R-D__-HT-03-F-TB
GOLD 0.38µm 4	2.1	2MM-R-D__-HT-01-M-TR	2MM-R-D__-HT-01-M-TB
	2.8	2MM-R-D__-HT-02-M-TR	2MM-R-D__-HT-02-M-TB
	3.4	A/R	2MM-R-D__-HT-03-M-TB
GOLD 0.76µm 5	2.1	2MM-R-D__-HT-01-H-TR	2MM-R-D__-HT-01-H-TB
	2.8	2MM-R-D__-HT-02-H-TR	2MM-R-D__-HT-02-H-TB
	3.4	A/R	2MM-R-D__-HT-03-H-TB

* A/R- AVAILABLE ON REQUEST



PRODUCT SERIES

2MM AMPMODU 2mm SERIES

PACKAGING

TR	TAPE AND REELING WITHOUT CAP
TB	TUBE WITHOUT CAP

GENDER / TYPE

R RECEPTACLE

PLATING

T	TIN
F	GOLD FLASH
M	15µm GOLD
H	30µm GOLD

NUMBER OF ROWS

D DOUBLE ROW

TAIL LENGTH

01	2.1 mm
02	2.8 mm
03	3.4 mm

NUMBER OF PINS PER ROW

XX 02 THROUGH 25 (ENTER TWO DIGITS)

ORIENTATION & TERMINATION

HT HORIZONTAL (RIGHT ANGLE) THROUGH HOLE

48	50	50	2MM-R-D25-HT-01-T-TR
46	48	48	2MM-R-D24-HT-01-T-TR
44	46	46	2MM-R-D23-HT-01-T-TR
42	44	44	2MM-R-D22-HT-01-T-TR
40	42	42	2MM-R-D21-HT-01-T-TR
38	40	40	2MM-R-D20-HT-01-T-TR
36	38	38	2MM-R-D19-HT-01-T-TR
34	36	36	2MM-R-D18-HT-01-T-TR
32	34	34	2MM-R-D17-HT-01-T-TR
30	32	32	2MM-R-D16-HT-01-T-TR
28	30	30	2MM-R-D15-HT-01-T-TR
26	28	28	2MM-R-D14-HT-01-T-TR
24	26	26	2MM-R-D13-HT-01-T-TR
22	24	24	2MM-R-D12-HT-01-T-TR
20	22	22	2MM-R-D11-HT-01-T-TR
18	20	20	2MM-R-D10-HT-01-T-TR
16	18	18	2MM-R-D09-HT-01-T-TR
14	16	16	2MM-R-D08-HT-01-T-TR
12	14	14	2MM-R-D07-HT-01-T-TR
10	12	12	2MM-R-D06-HT-01-T-TR
8	10	10	2MM-R-D05-HT-01-T-TR
6	8	8	2MM-R-D04-HT-01-T-TR
4	6	6	2MM-R-D03-HT-01-T-TR
2	4	4	2MM-R-D02-HT-01-T-TR

DIM "F" DIM "E" N/6 SMART PN

SMART PN EXAMPLES:

- 2MM-R-D02-HT-01-T-TR : AMPMODU 2mm, RECEPTACLE, DOUBLE ROW, 02 POSITION PER ROW, HORIZONTAL (RIGHT ANGLE) THROUGH HOLE, 2.1 mm TAIL LENGTH, TIN PLATED, TAPE AND REEL PACKAGING WITHOUT CAP
- 2MM-R-D25-HT-03-H-TB : AMPMODU 2mm, RECEPTACLE, DOUBLE ROW, 25 POSITION PER ROW, HORIZONTAL (RIGHT ANGLE) THROUGH HOLE, 3.4 mm TAIL LENGTH, 30µm GOLD PLATED, TUBE PACKAGING WITHOUT CAP

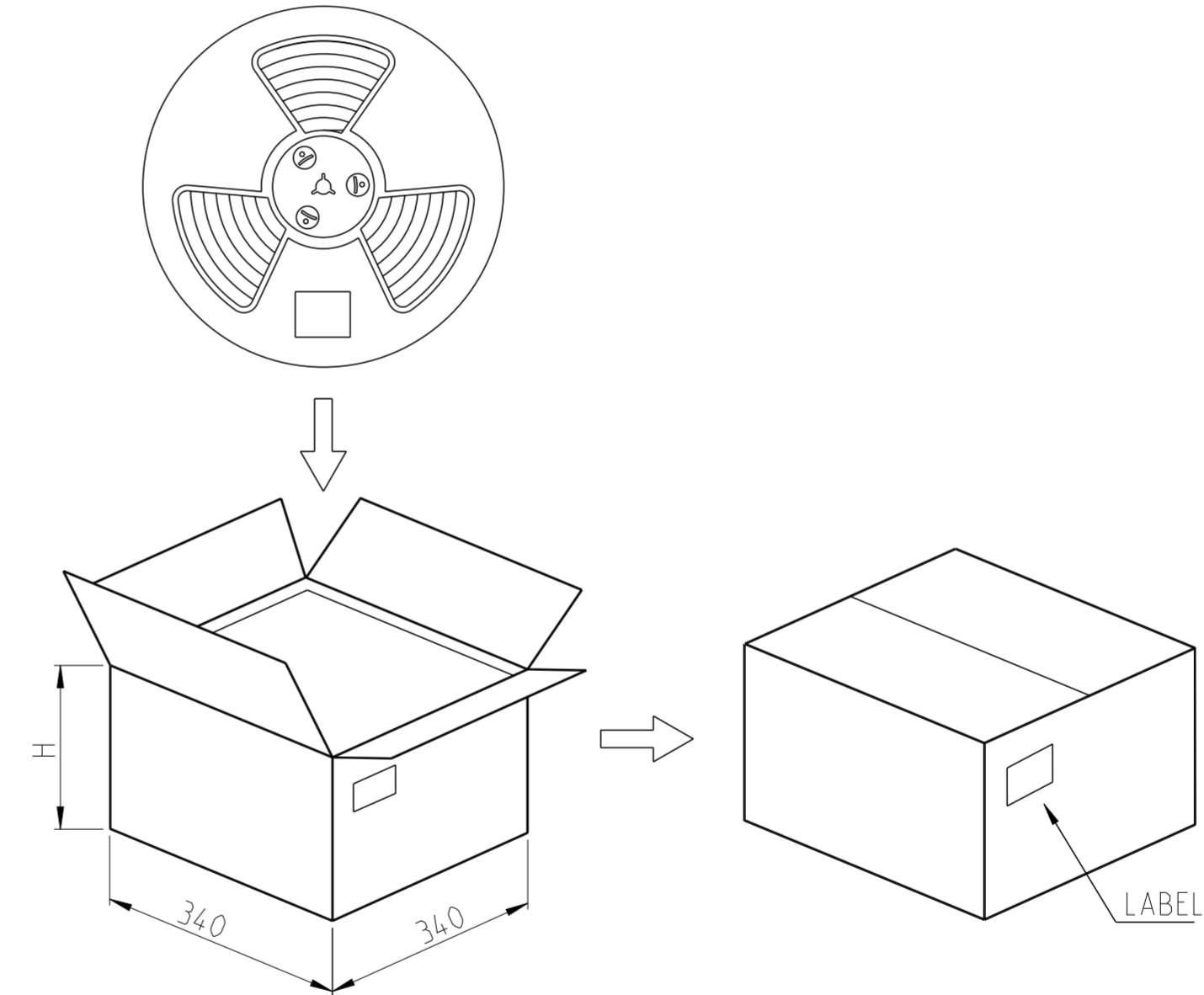
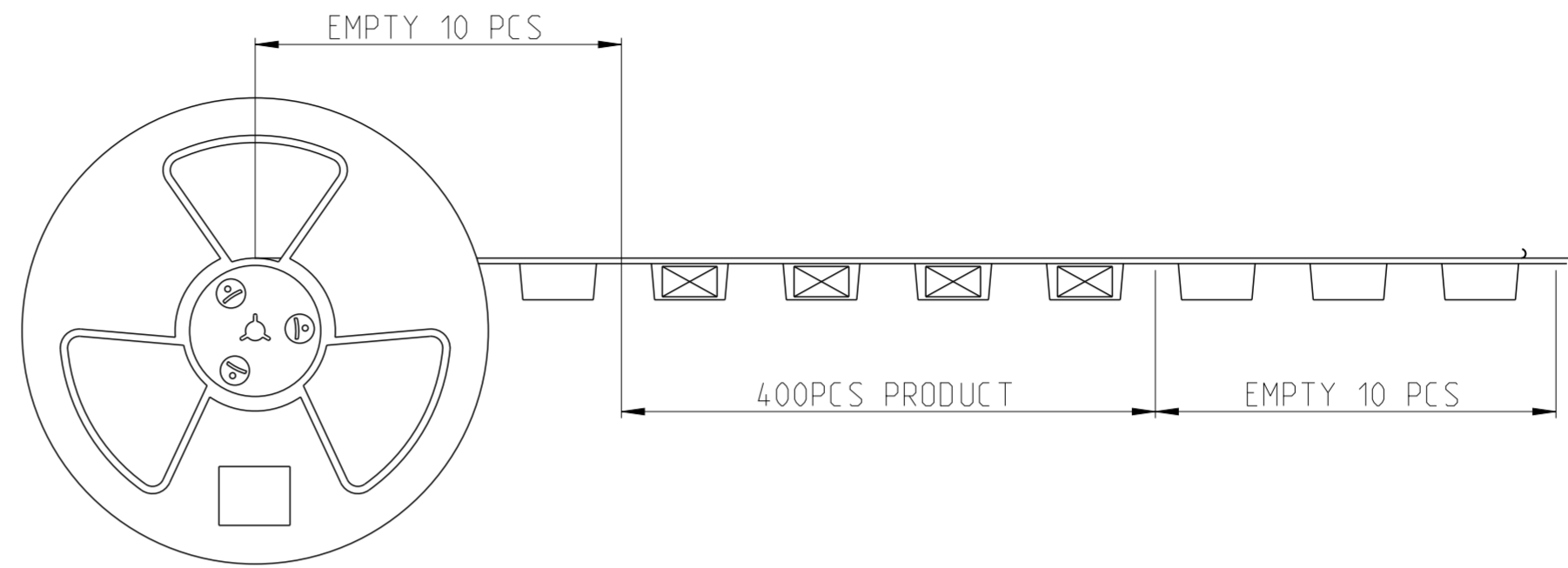
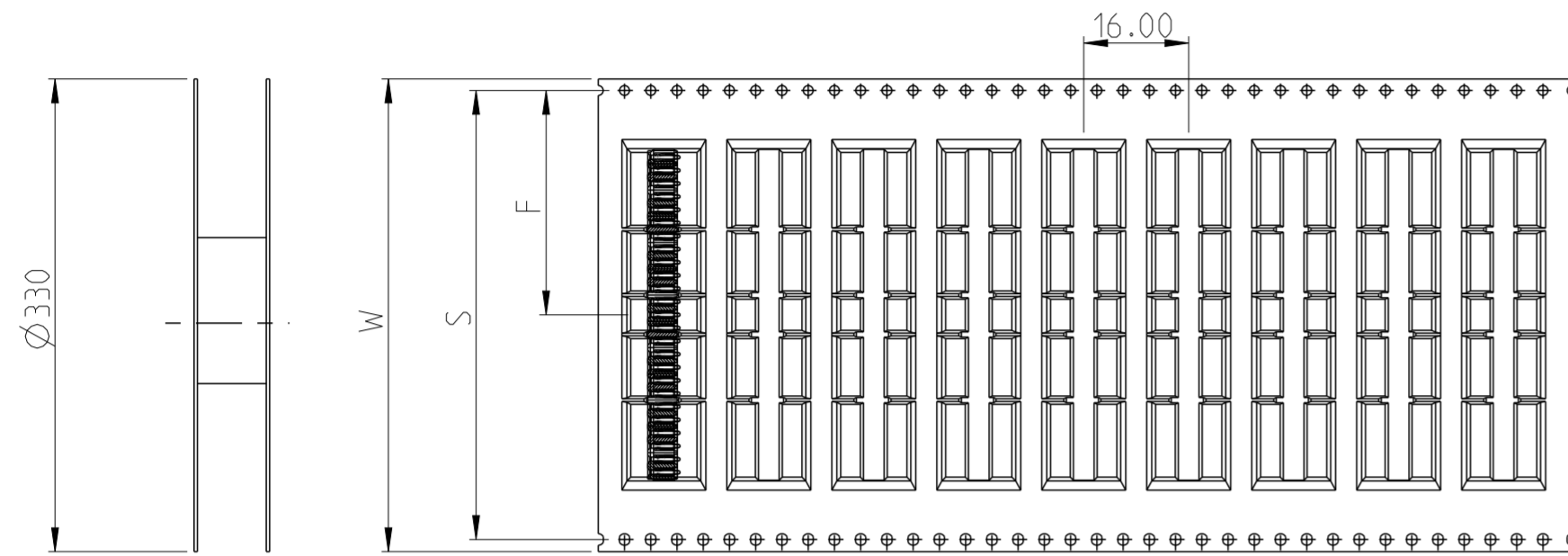
THIS DRAWING IS A CONTROLLED DOCUMENT.

DIMENSIONS: mm	TOLERANCES UNLESS OTHERWISE SPECIFIED:
	0 PLC ± 1 PLC ±0.2 2 PLC ±0.1 3 PLC ± 4 PLC ± ANGLES ±2° FINISH
MATERIAL	SEE NOTES

DWN	28NOV2017
CHK	SOURAV DAS 22NOV2018
APVD	SHARATH S 22NOV2018
APVD	PRASHANTH S 22NOV2018
PRODUCT SPEC	108-64040
APPLICATION SPEC	114-32186
WEIGHT	-
CUSTOMER DRAWING	

		TE Connectivity	
NAME		AMPMODU 2mm, BiB RECEPTACLE, DUAL ROW HORIZONTAL, TH/THR	
SIZE	CAGE CODE	DRAWING NO	RESTRICTED TO
A2	00779	C-2307712	-
SCALE		SHEET	REV
5:1		2 OF 3	A4

P	LTR	DESCRIPTION	DATE	DWN	APVD
-	-	SEE SHEET 1	-	-	-



PIN	PCS/REEL	PCS/CARTON	W	S	F	H
4	400	1200	24		11.5	120
6						
10		1200	32	28.4	14.2	145
14						
18						
8						
12		1200	44	40.4	20.2	180
16						
20						
22						
26		1200	56	52.4	26.2	200
30						
34						
24						
28		1200	56	52.4	26.2	200
32						
36						
38						
42		1200	72	68.4	34.2	265
46						
50						
40						
44		1200	72	68.4	34.2	265
48						

THIS DRAWING IS A CONTROLLED DOCUMENT.

DWN SOURAV DAS 28NOV2017	TE Connectivity	NAME	AMPMODU 2mm, BtB RECEPTACLE, DUAL ROW HORIZONTAL, TH/THR
CHK SHARATH S 22NOV2018		SIZE	A2
APVD PRASHANTH S 22NOV2018		CAGE CODE	108-64040
PRODUCT SPEC		DRAWING NO	114-32186
MATERIAL	WEIGHT	RESTRICTED TO	-
SEE NOTES		SCALE	NTS
CUSTOMER DRAWING		SHEET	3 OF 3
		REV	A4