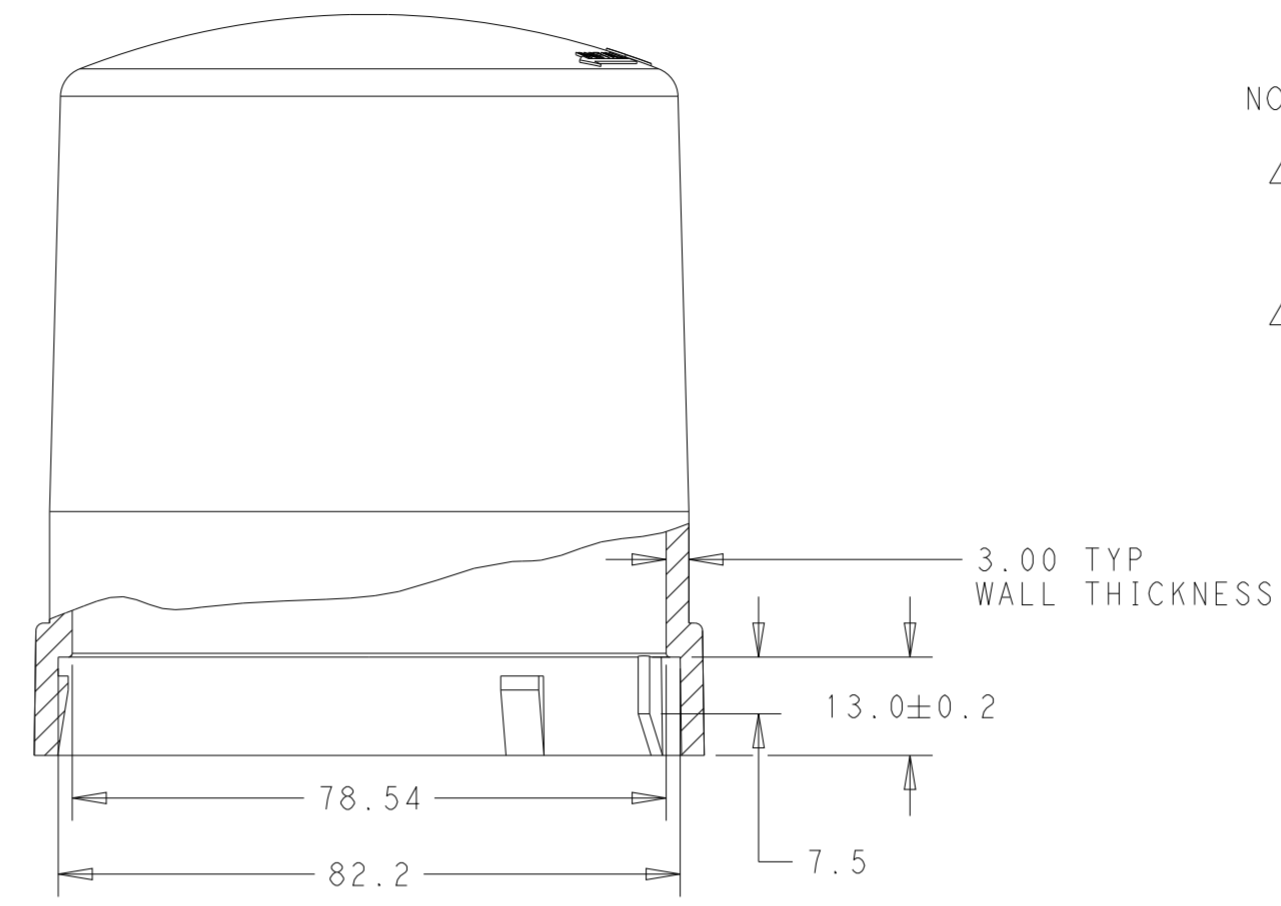
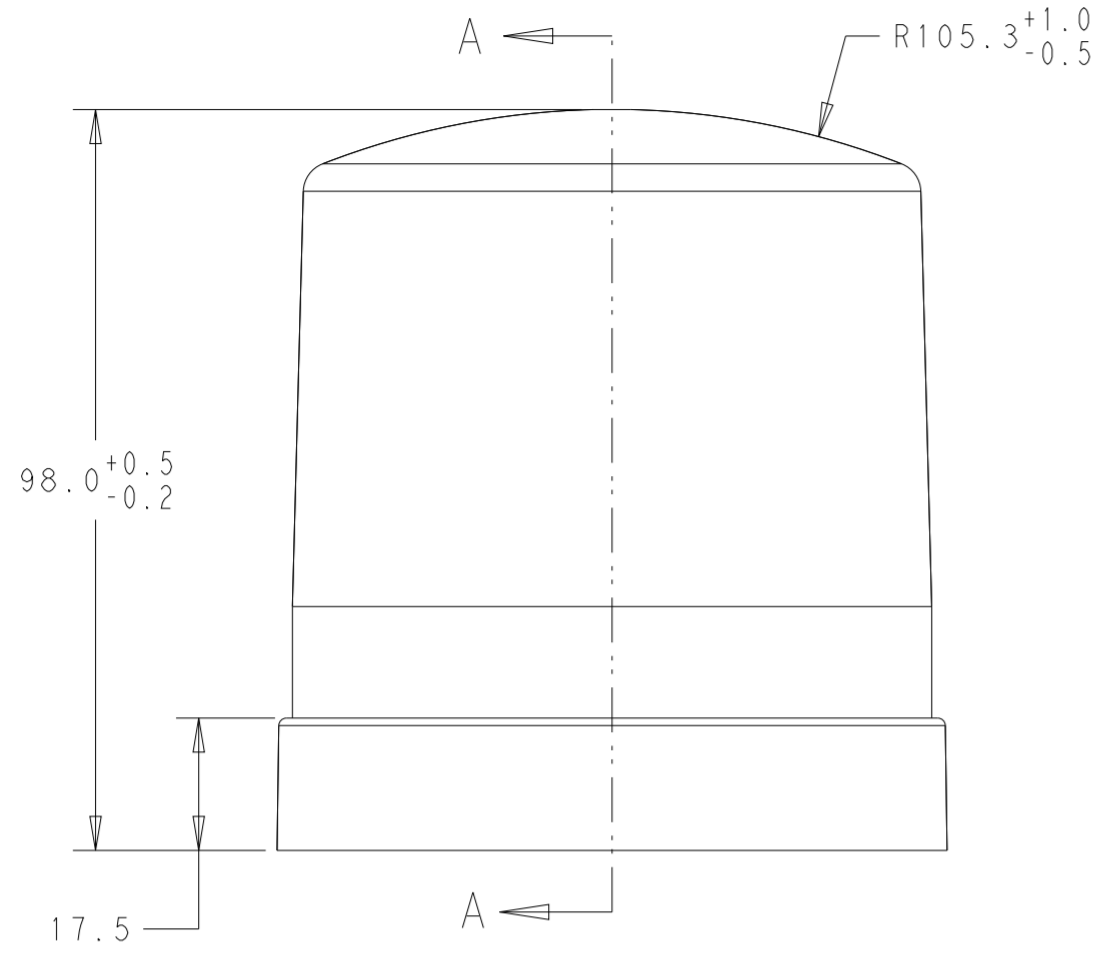
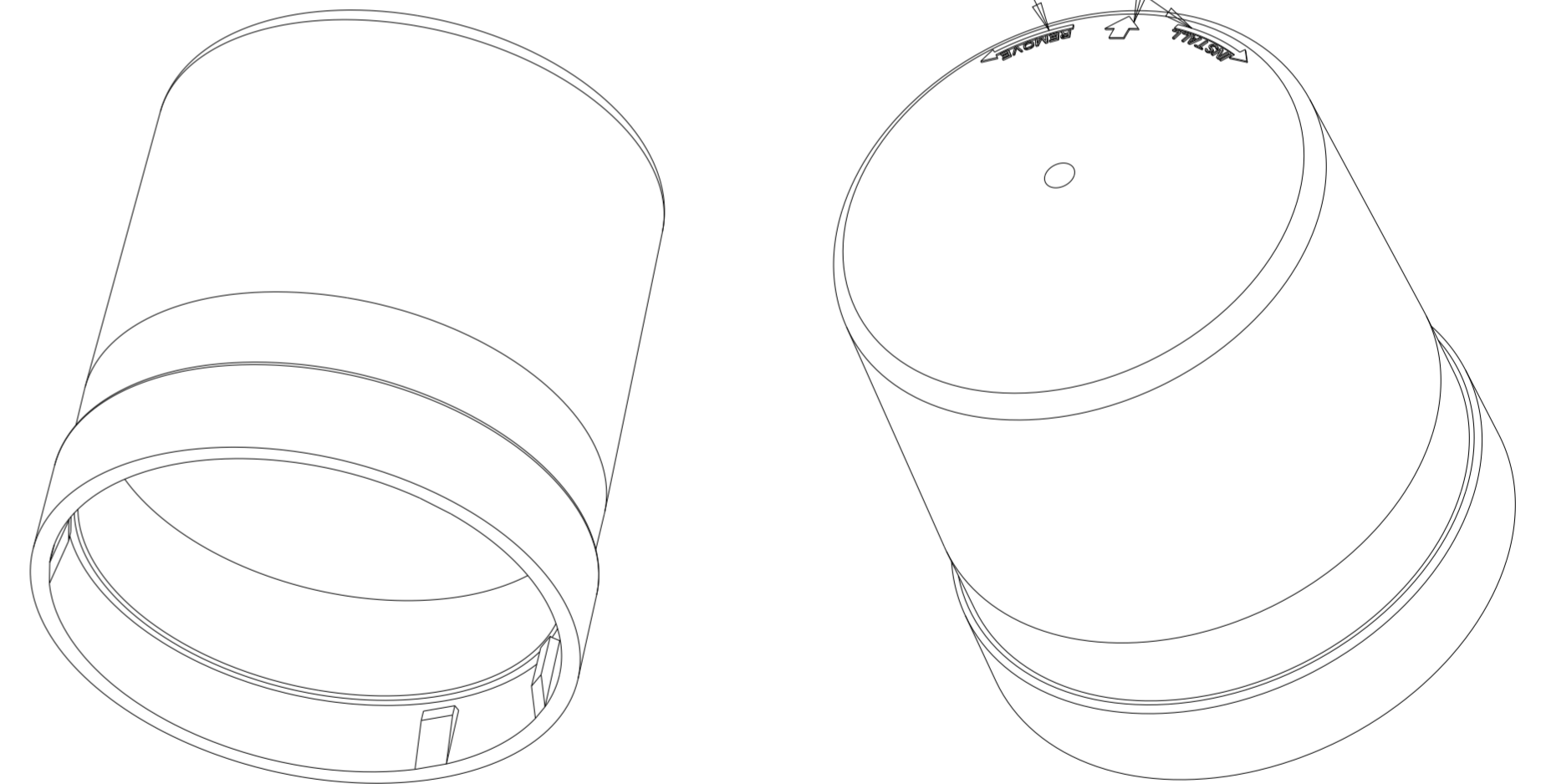
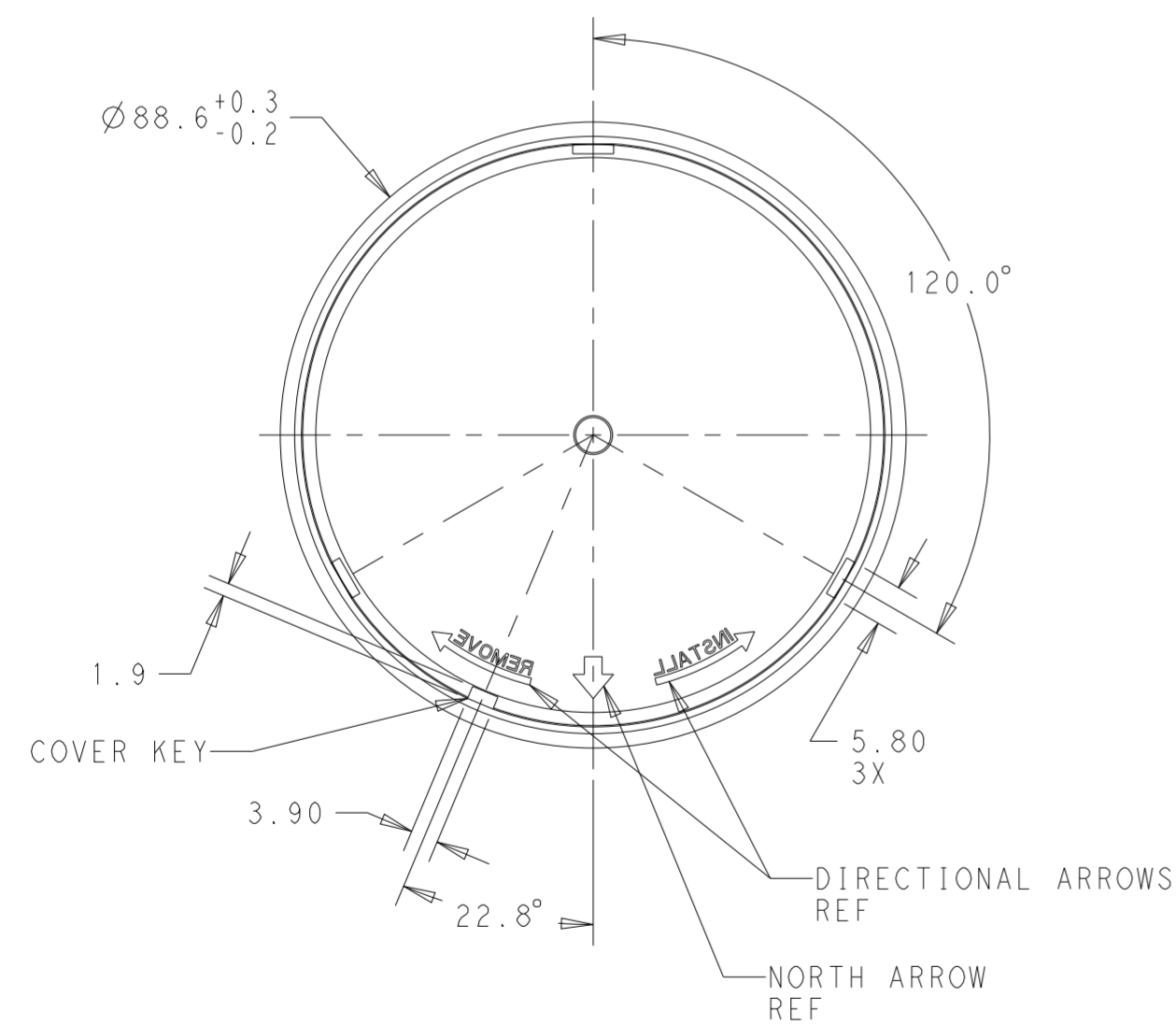


THIS DRAWING IS UNPUBLISHED. RELEASED FOR PUBLICATION 20  
 © COPYRIGHT 20 BY - ALL RIGHTS RESERVED.

REVISIONS					
P	LTR	DESCRIPTION	DATE	DWN	APVD
A1		REVISED PER ECR-18-010034	27JUN2018	JS	JL
A2		REVISED PER ECR-19-005743	11APR2019	SS	DD
B		REVISED PER ECR-19-006995	03MAY2019	JS	DD
B1		REVISED PER ECR-25-264392	20MAR2026	GIC	MM



NOTES:  
 ⚠ MATERIALS:  
 HOUSING: POLYCARBONATE, UV 5VA RATED  
 COLOR: SEE TABLE  
 ⚠ MATING BASE TE P/N: 2213871-2, 2213871-3, 1-2213871-2.



OBsolete	70%	TRANSPARENT YELLOW	1-2306130-2
OBsolete	78%	TRANSPARENT CLEAR	1-2306130-1
	26%	TRANSLUCENT GRAY	2306130-2
	24%	TRANSPARENT SMOKE GRAY	2306130-1
APROXIMATE LIGHT TRANSMISSION		COLOR	PART NO.

THIS DRAWING IS A CONTROLLED DOCUMENT.

DWN	J. SHAFFER	07 JUL 2016
CHK	E. HOWARD	07 JUL 2016
APVD	-	-
PRODUCT SPEC	108-32125	
APPLICATION SPEC	11432159	
WEIGHT	-	
CUSTOMER DRAWING	SCALE 1:1	SHEET 1 OF 1

**STE** TE Connectivity

NAME: COVER, LIGHT CONTROLLER, 81mm DIA, MEDIUM

SIZE: A2 CAGE CODE: - DRAWING NO: C-2306130 RESTRICTED TO: -

REV B1