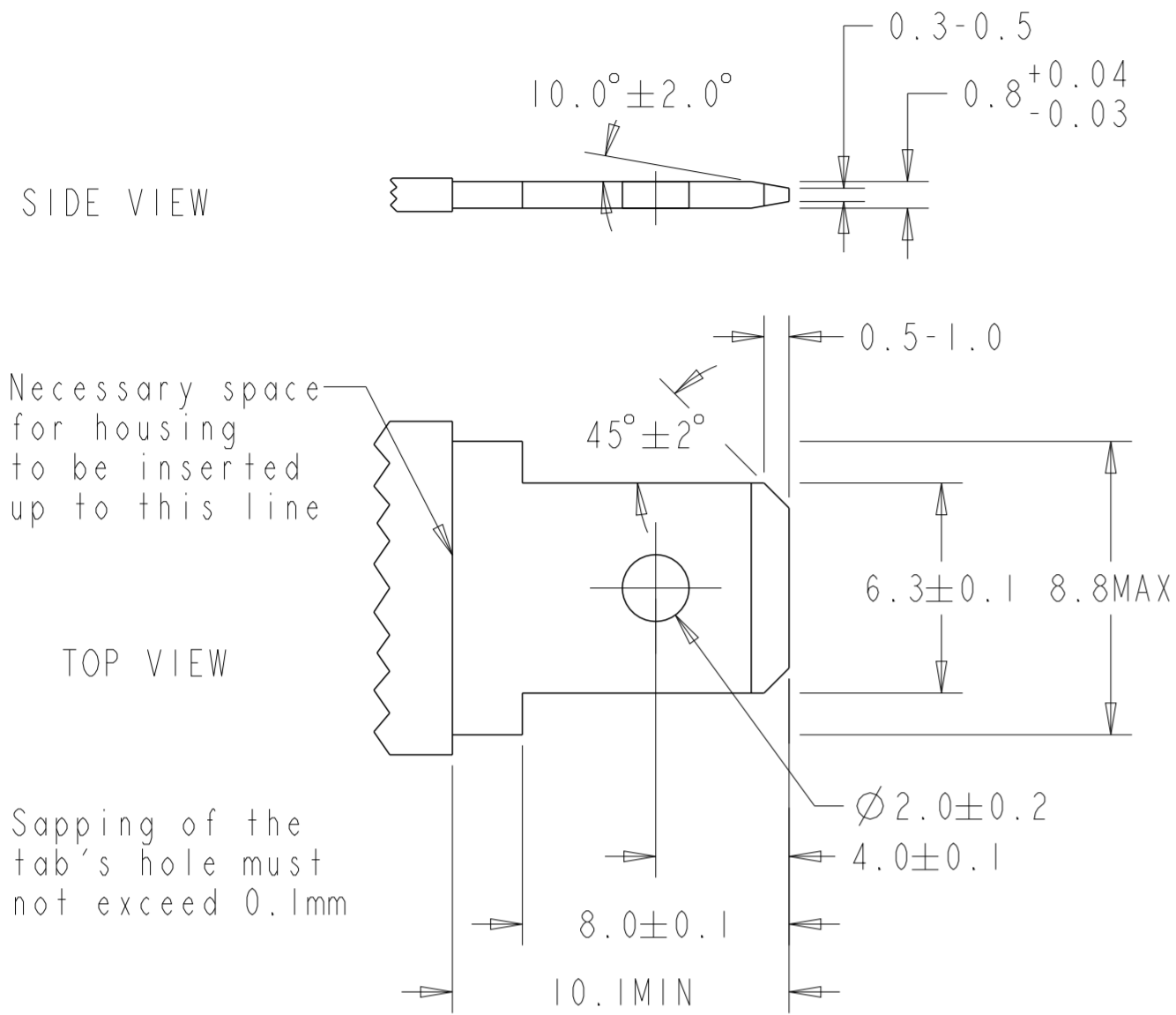
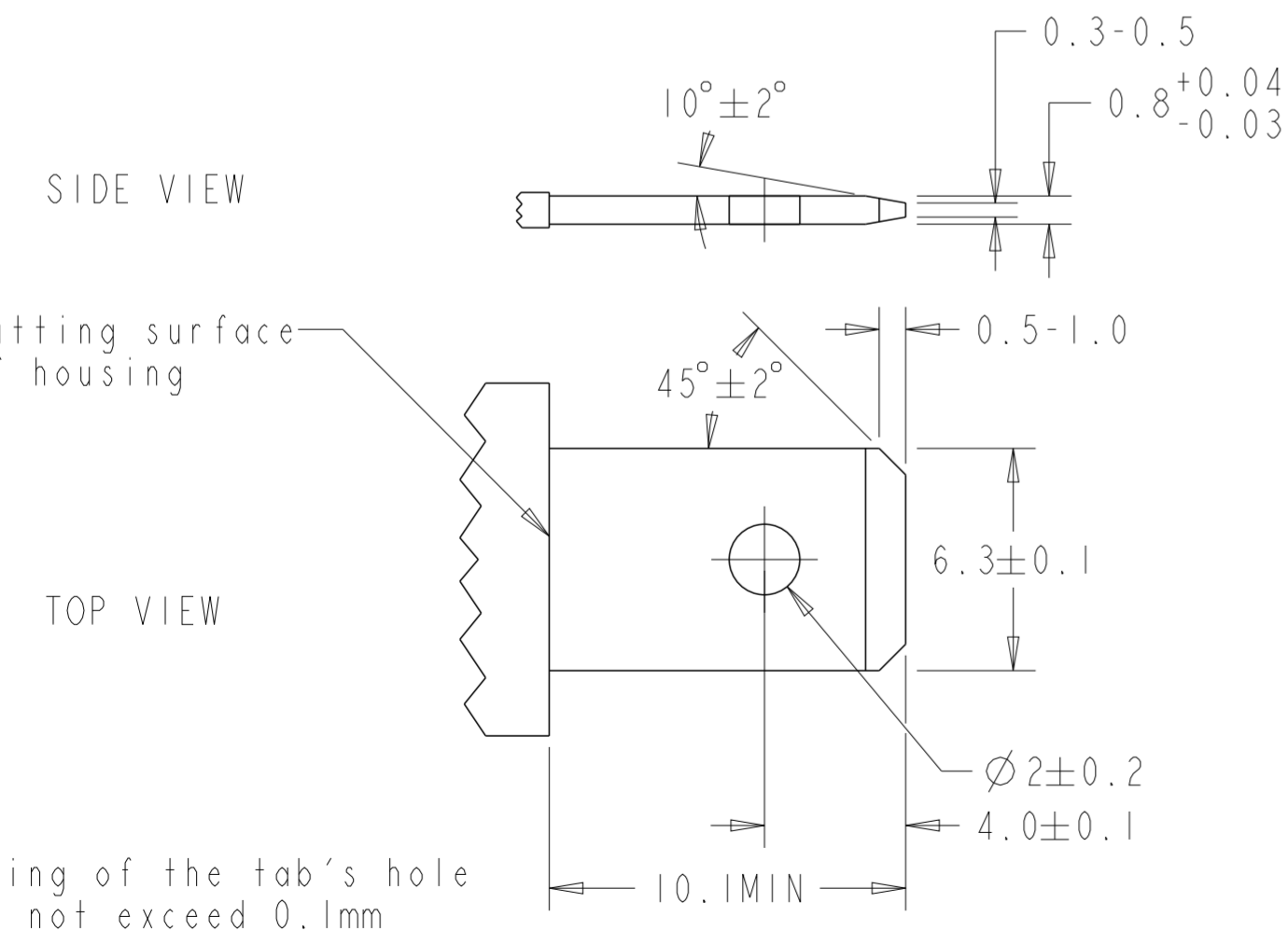


SUGGESTED MATING TAB



TYPE A (When using tab shoulder for butting)

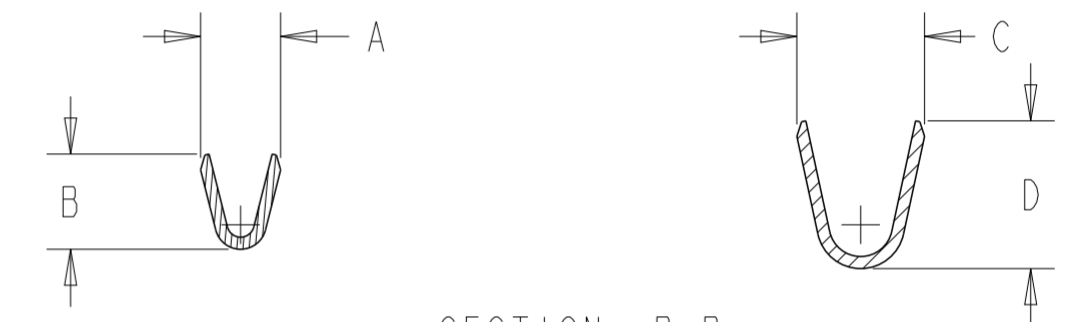
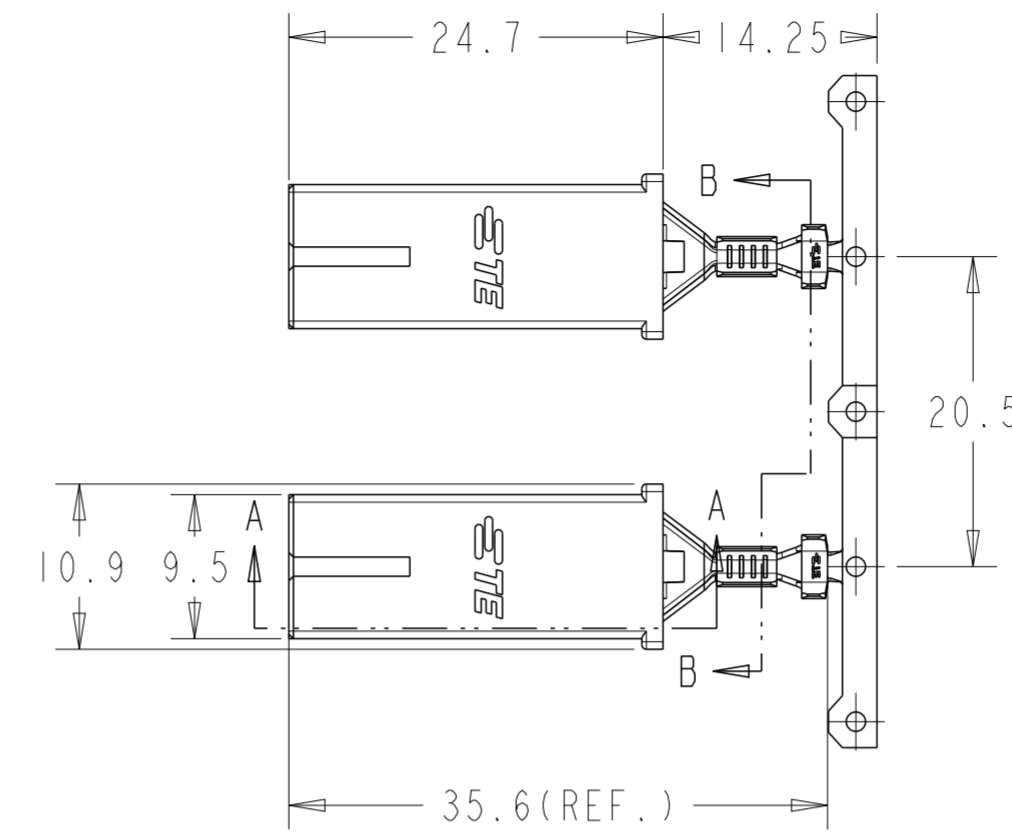


TYPE B (When using resin, etc. for butting)

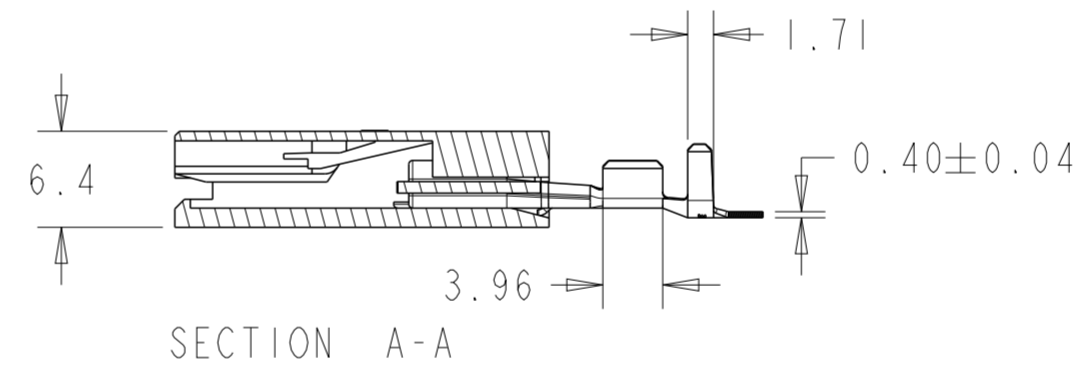
REVISIONS				
P	LTR	DESCRIPTION	DATE	APVD
A9		REVISED PER ECR-25-254212	24NOV25	BN SJ

NOTE:

- HOUSING MATERIAL, NYLON 6/66, GLASS-FIBRE. UL94V-0.
- GWT 750°C VERSION, ACCORDING TO IEC 60335-1.
- CONTACT MATERIAL, TIN PLATED BRASS.
- NEW PN WITH DIFFERENT PACKAGING QTY. AND SMALLER REELING SIZE(24in).



SECTION B-B SCALE 4:1



4	5.8REF.	6.2	4.5REF.	4.5	3.40-5.08	14-12	3-2299282-3
4	4.9REF.	5.3	3.9REF.	3.5	3.0-4.0	18-14	3-2299282-2
4	4.9REF.	4.2	3.1REF.	2.6	2.2-3.0	22-18	3-2299282-1
	5.8REF.	6.2	4.5REF.	4.5	3.40-5.08	14-12	2299282-3
	4.9REF.	5.3	3.9REF.	3.5	3.0-4.0	18-14	2299282-2
OBSOLETE	4.9REF.	4.2	3.1REF.	2.6	2.2-3.0	22-18	2299282-1
	DIM D	DIM C	DIM B	DIM A	INSULATION(mm)	WIRE SIZE(AWG)	P/N

THIS DRAWING IS A CONTROLLED DOCUMENT.

DWN	LEI.PAN	14NOV2016
CHK	TIM.DING	14NOV2016
APVD	TIM.DING	14NOV2016
PRODUCT SPEC	108-106262	
APPLICATION SPEC	114-106262	
WEIGHT	-	
CUSTOMER DRAWING		

STE TE Connectivity

NAME: POD-LOK 250 STR.ASSY.

SIZE	CAGE CODE	DRAWING NO	RESTRICTED TO
A2	-	G-2299282	-
SCALE	5:1	SHEET	OF
		1	1
REV	A9		