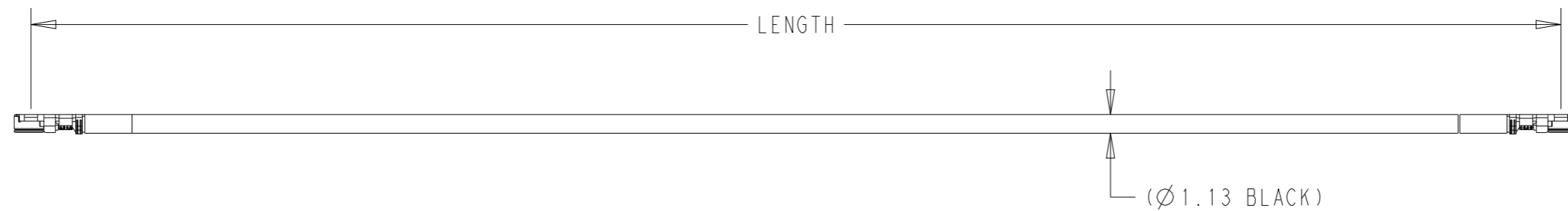
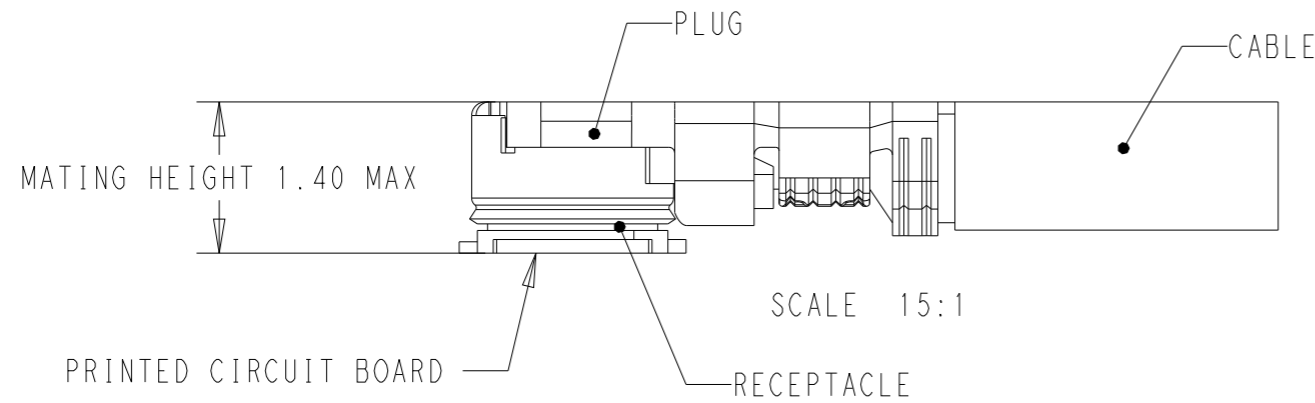


P	LTR	DESCRIPTION	DATE	DWN	APVD
A1		ECR-22-132690	16MAR2022	JZ	WKH
A2		ecn-24-286554; ADD 1-2016698-7	27SEP2024	TP	WH



NOTES:

- MATERIAL AND PROCESSING MUST MEET REQUIREMENTS OF TEC-138-702
- UMCC GEN4 MATING HEIGHT AS SHOW, NO MORE THAN 1.40MM
- PRODUCT RATING:
 TEMPERATURE: -45°C TO +85°C
 VOLTAGE: 30V (RMS)
 CHARACTERISTIC IMPEDANCE: 50 OHMS Normal
 FREQUENCY RANGE: DC TO 9GHz
 BEND RADIUS: 5MM MIN
- CABLE ASSEMBLY TO BE 100% OPEN & SHORT TESTED
- UMCC GEN4 CAN MATE WITH I-PEX MHF4L AND HIROSE W.FL SERIES

1-2016698-7	70±3
1-2016698-6	200±3
1-2016698-5	460±3
1-2016698-4	250±3
1-2016698-3	150±3
1-2016698-2	100±3
1-2016698-1	55±3
1-2016698-0	45±3
2016698-9	1020±5
2016698-8	920±5
2016698-7	720±5
2016698-6	620±3
2016698-5	520±3
2016698-4	420±3
2016698-3	320±3
2016698-2	220±3
2016698-1	120±3
PART NUMBER	LENGTH

THIS DRAWING IS A CONTROLLED DOCUMENT.		DWN 06MAY2021 Julia ZHU		
		CHK 12MAY2021 Wenke He		
DIMENSIONS: mm		TOLERANCES UNLESS OTHERWISE SPECIFIED: 0 PLC ±- 1 PLC ±- 2 PLC ±- 3 PLC ±- 4 PLC ±- ANGLES ±-		NAME RF CA, UMCC GEN4-GEN4, 1.13MM CABLE
		MATERIAL -		FINISH -
		APVD -		PRODUCT SPEC -
		APPLICATION SPEC -		SIZE A3
		WEIGHT -		CAGE CODE 00779
		CUSTOMER DRAWING		DRAWING NO C-2016698
		SCALE 1:1		RESTRICTED TO -
		SHEET 1 OF 1		REV A2