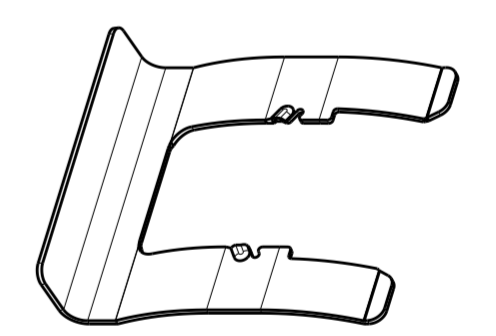
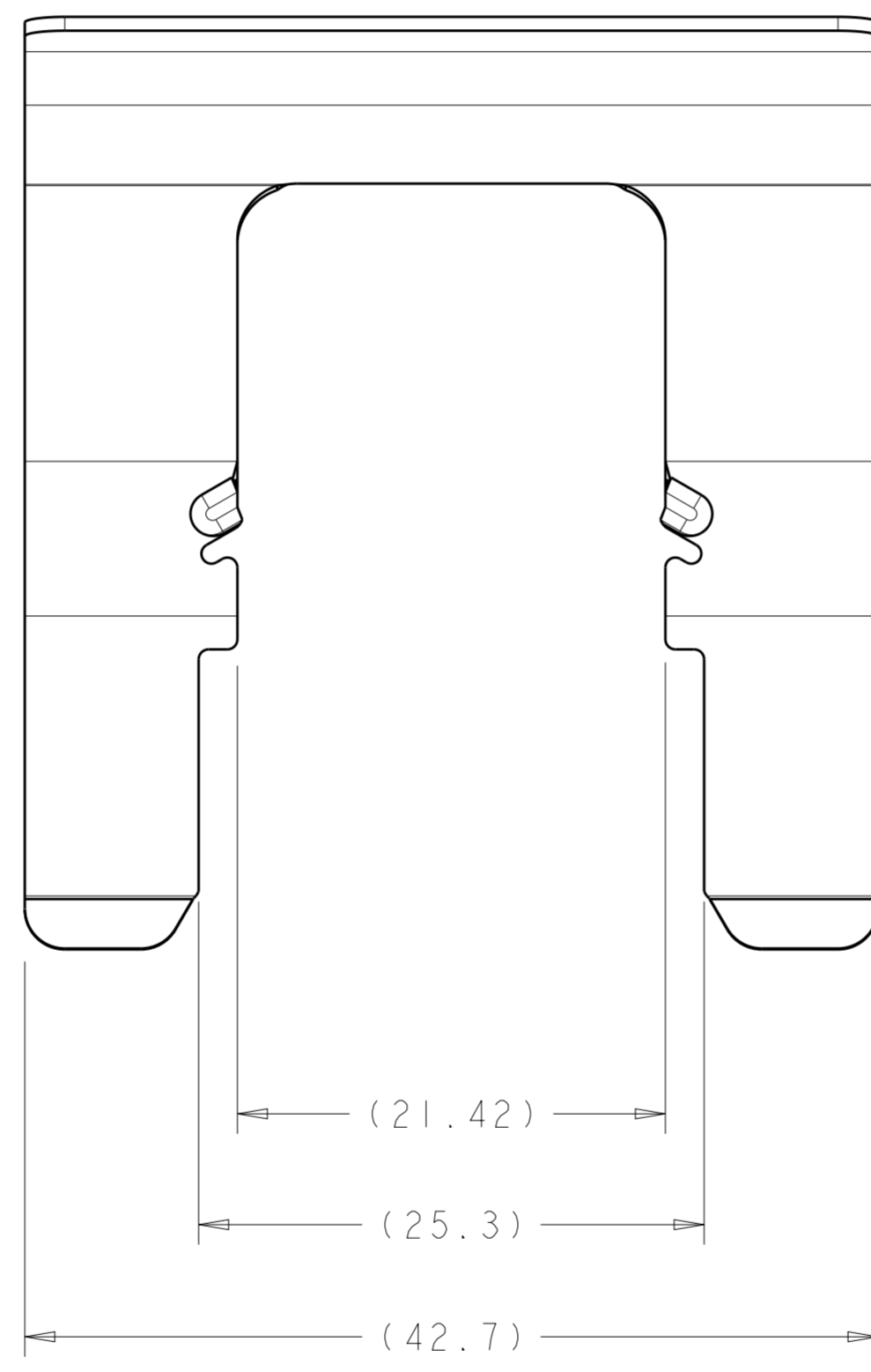
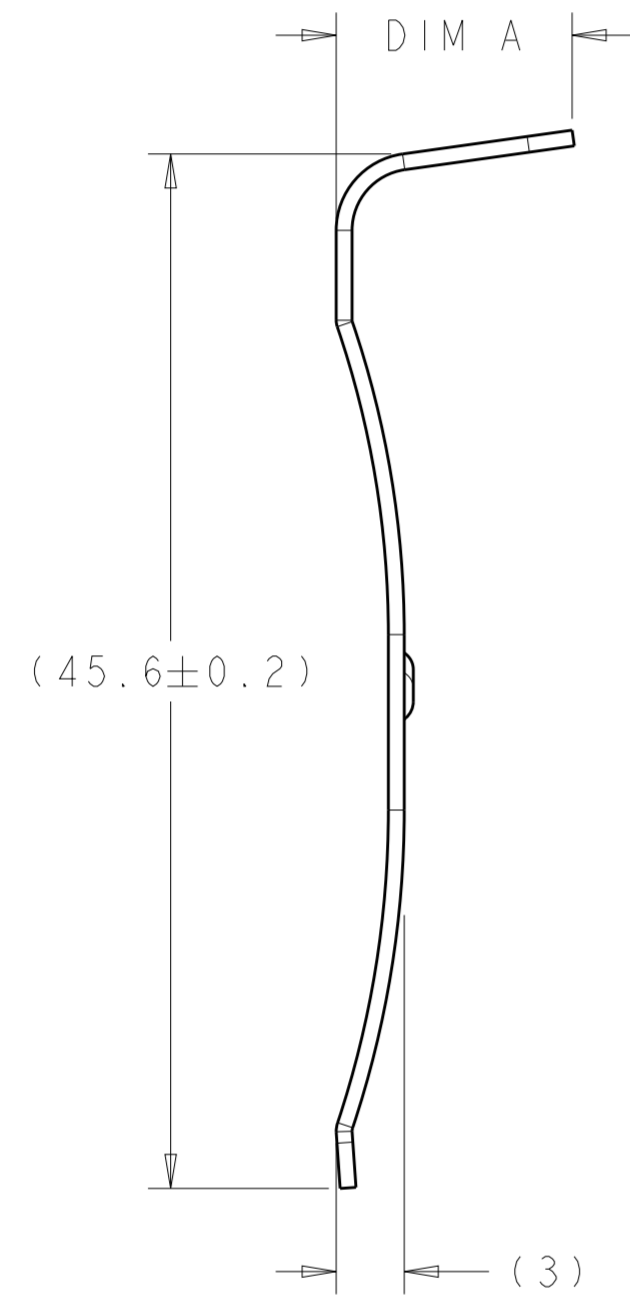


THIS DRAWING IS UNPUBLISHED. RELEASED FOR PUBLICATION 20  
 © COPYRIGHT 20 BY - ALL RIGHTS RESERVED.

REVISIONS				
P	LTR	DESCRIPTION	DATE	APVD
A		REL PER ECO-17-006839	12MAY2017	JM DS
AI		ECO-17-010144	14JULY2017	DS DS

△ MATERIAL: STAINLESS SPRING STEEL, 0.77 THICK  
 2. BULK PACKAGED IN CARD BOARD BOX.



1924887-1  
 SCALE 1:1

8.4	1924887-2
10.4	1924887-1
DIM A	PART NUMBER

THIS DRAWING IS A CONTROLLED DOCUMENT.		DWN D. STRAUSSER 21 JULY 2008	TE Connectivity	
DIMENSIONS: mm		CHK D. STRAUSSER 08MAY2017		
TOLERANCES UNLESS OTHERWISE SPECIFIED:		APVD D. STRAUSSER 08MAY2017	NAME MOUNTING CLIP UNDER VALVE COVER CONNECTER	
0 PLC ±	1 PLC ±	PRODUCT SPEC	SIZE CAGE CODE DRAWING NO RESTRICTED TO	
2 PLC ±	3 PLC ±	APPLICATION SPEC	A200779 C-1924887	
4 PLC ±	ANGLES ±	WEIGHT	SCALE 3:1 SHEET OF REV AI	
FINISH -		CUSTOMER DRAWING		