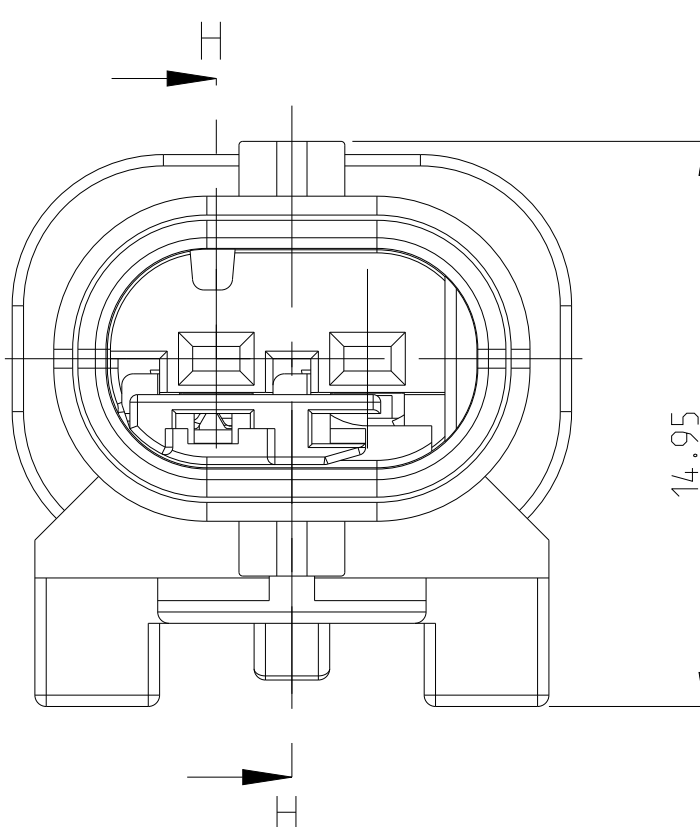
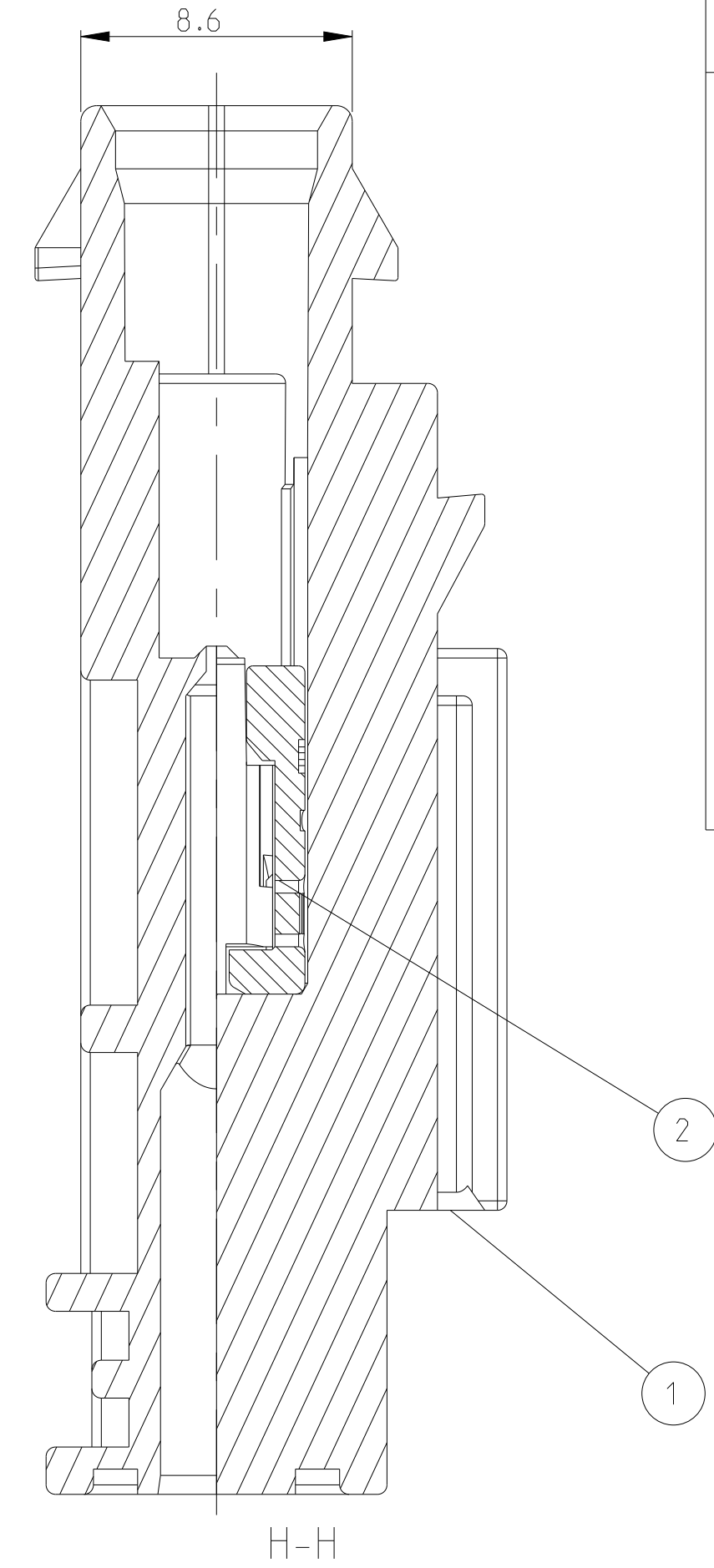
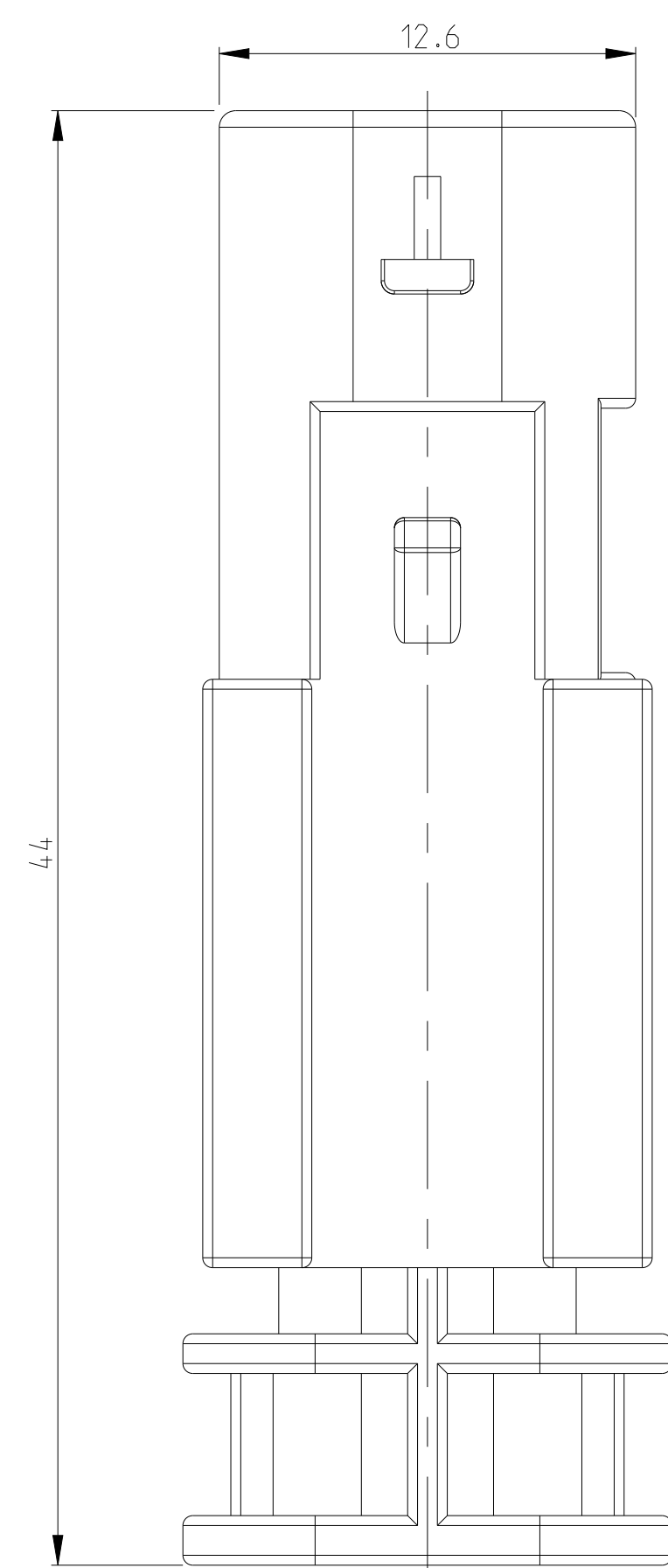
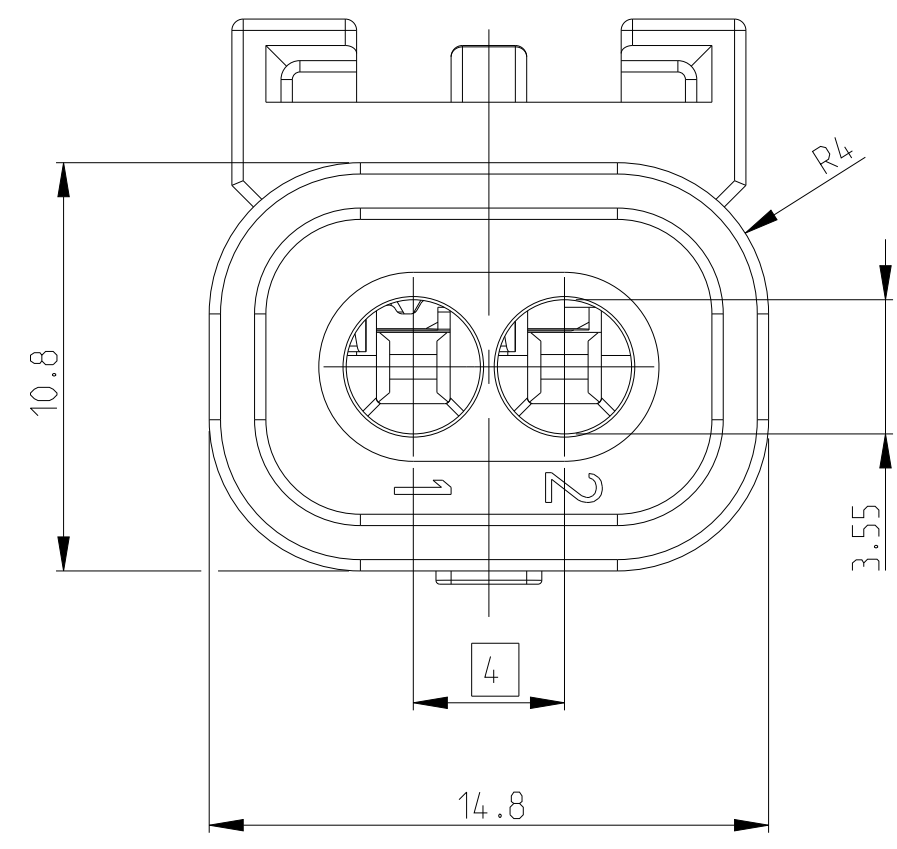
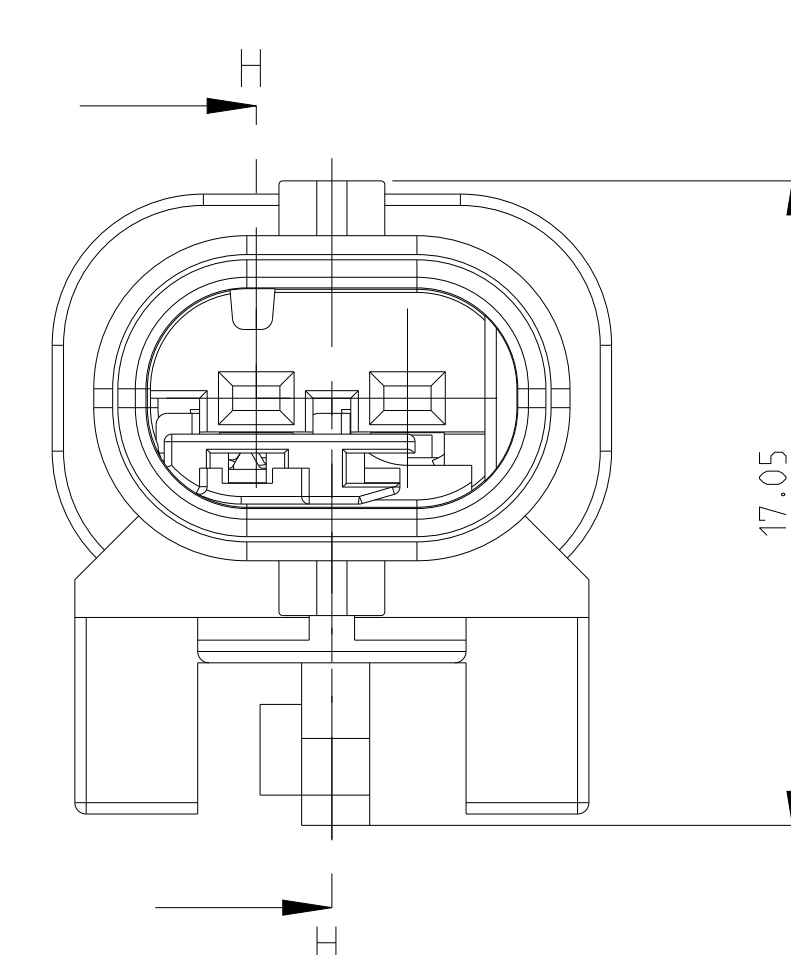
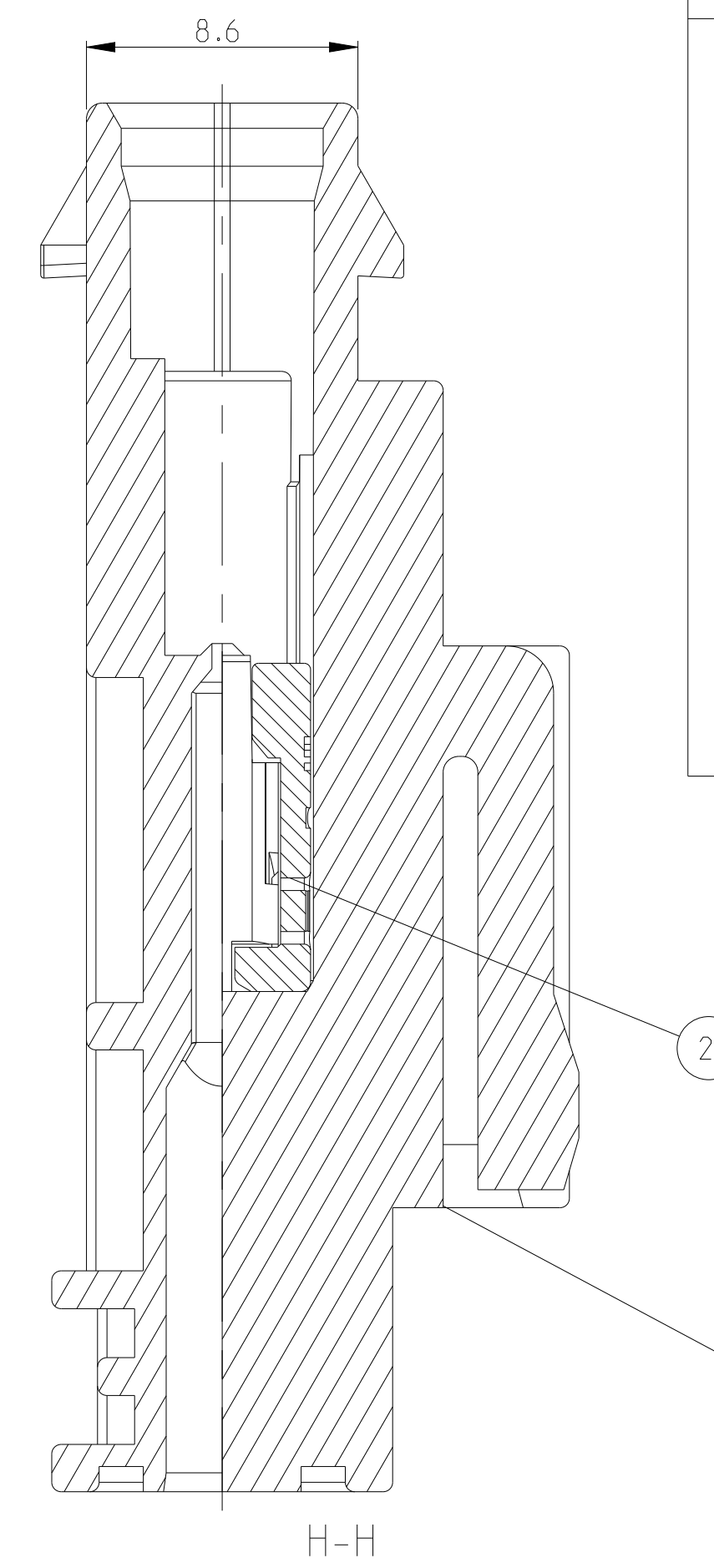
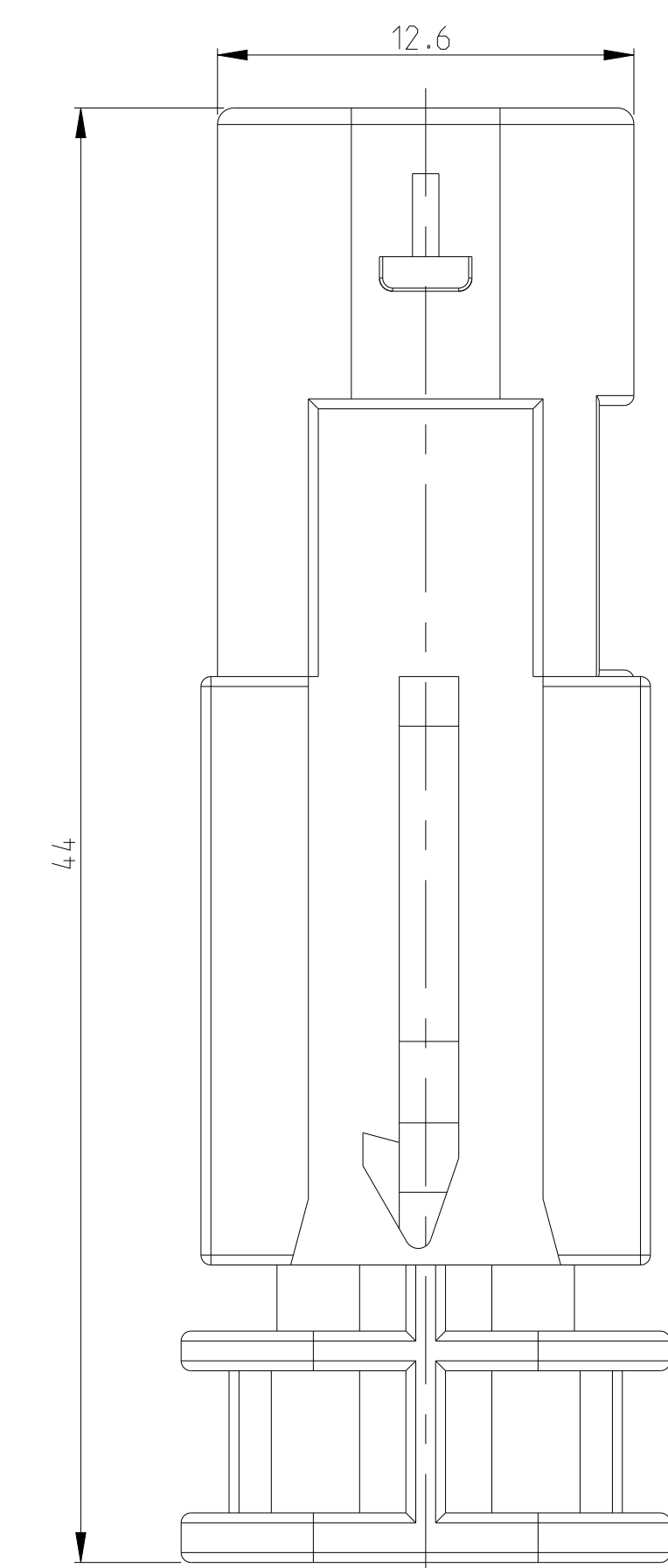
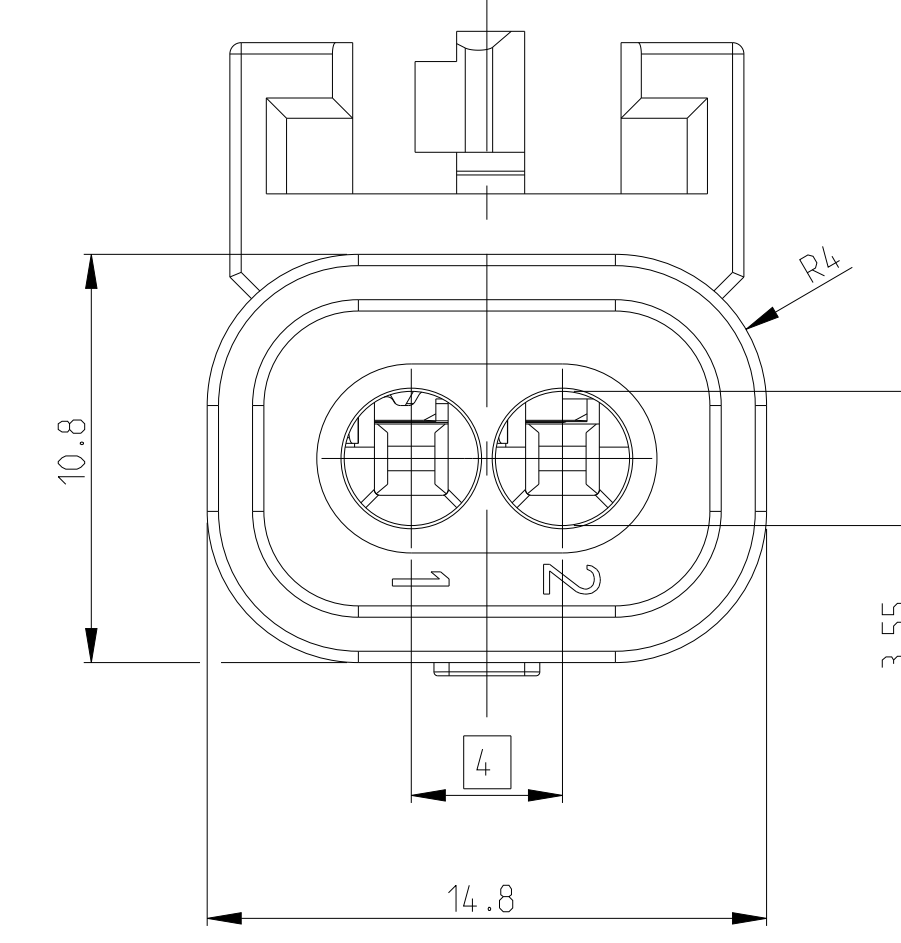


SHOWN 1-1703498-1



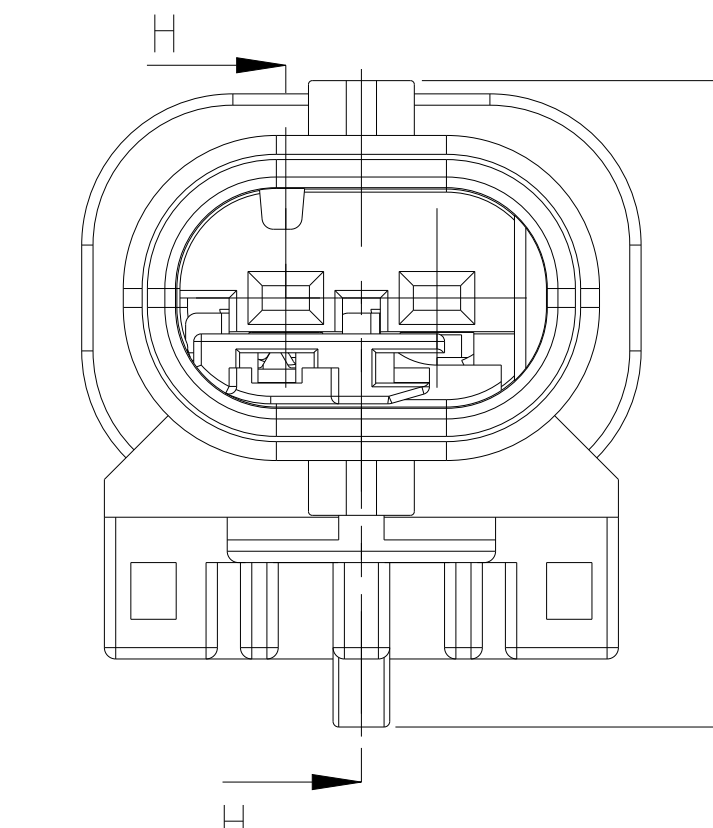
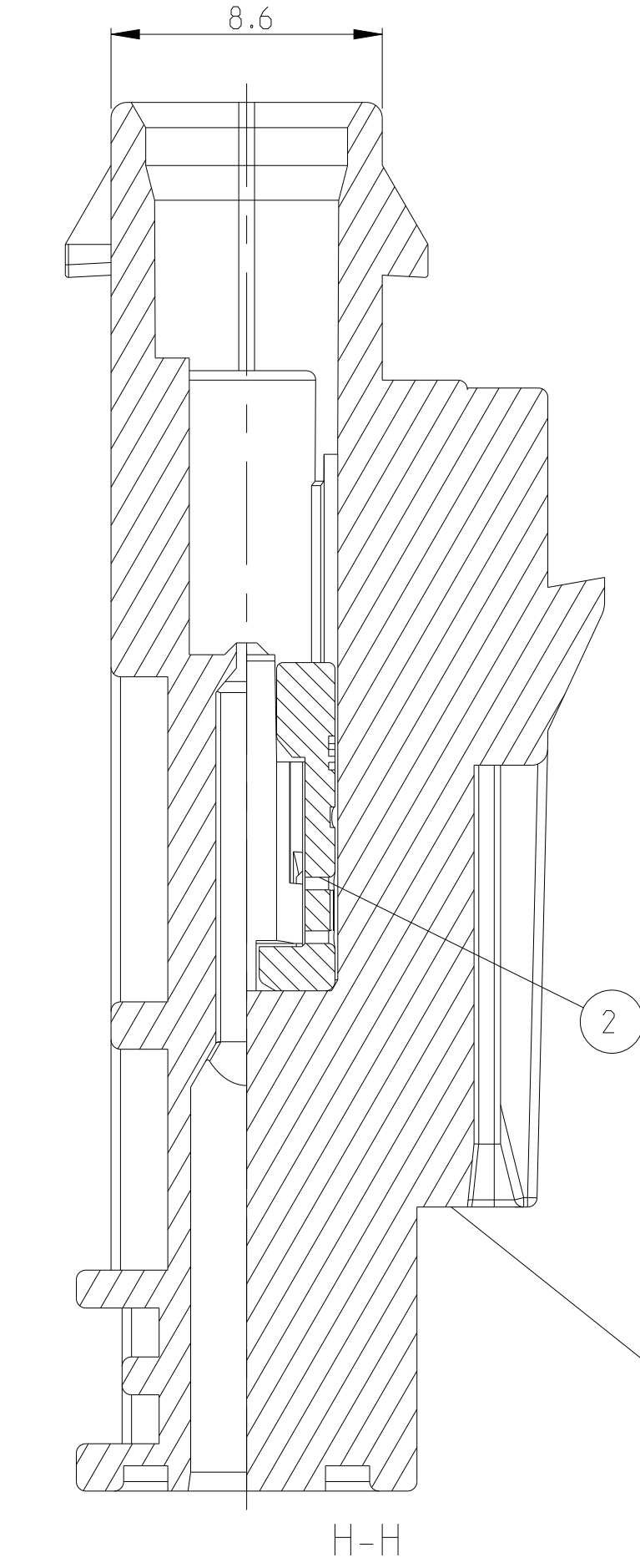
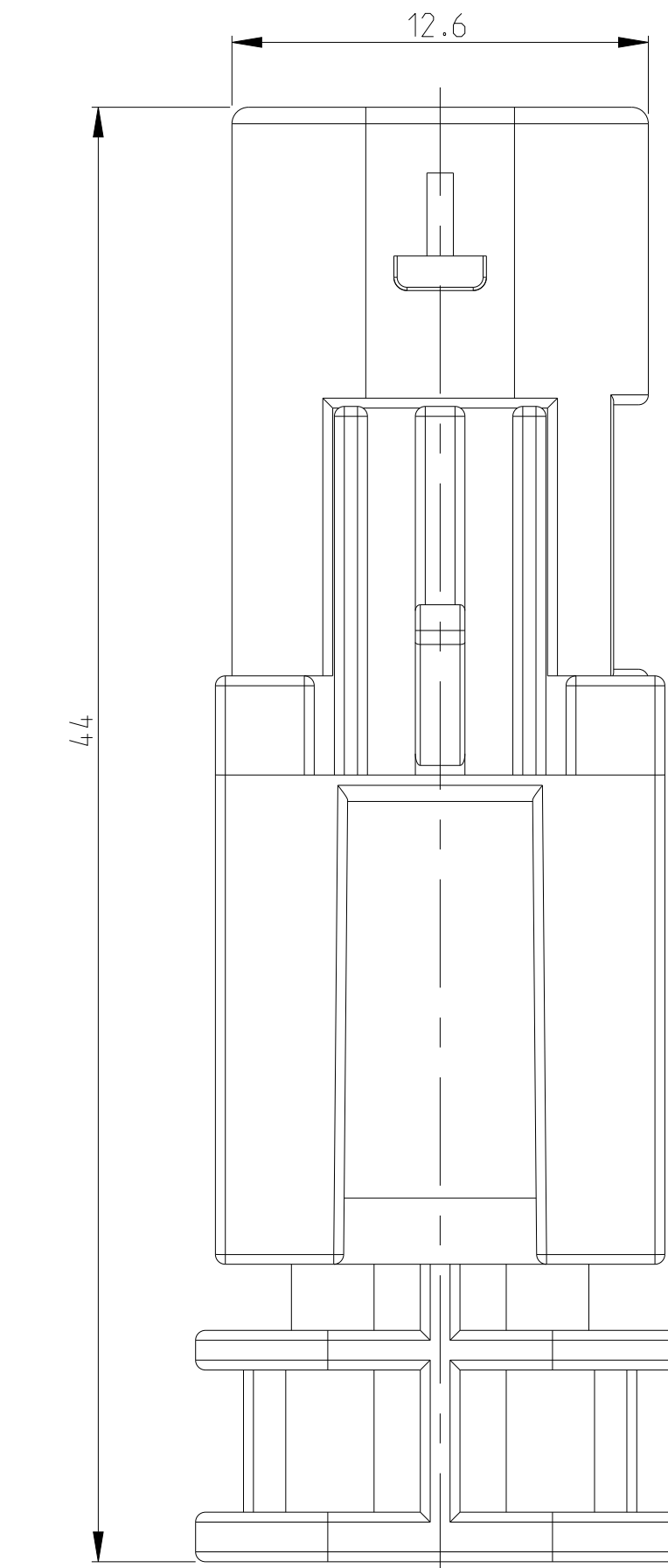
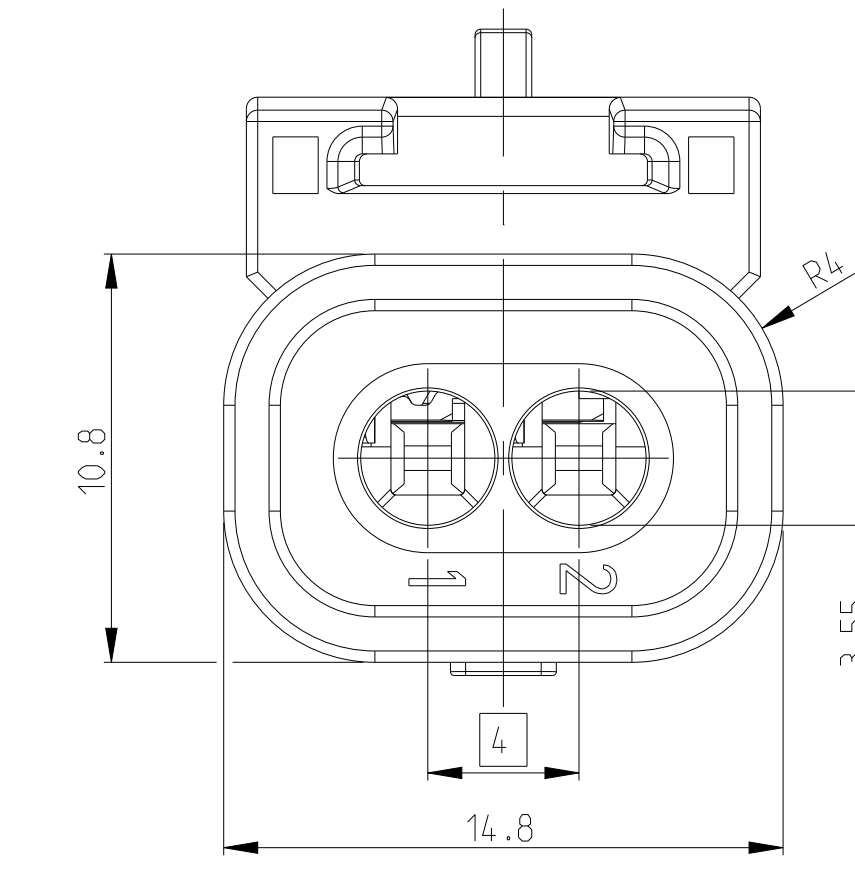
Coding	2:1
A	 1-1703498-1 - BLACK 5-1703498-1 - BLUE
B	 2-1703498-1 - GREY
C	 3-1703498-1 - BLACK
Z	 4-1703498-1 - BLACK
I	 MOUNTING CLIP VERSION I EW CAP-005-11

SHOWN 1-1703498-2



Coding	2:1
A	 1-1703498-2 - BLACK
B	 2-1703498-2 - GREY
C	 3-1703498-2 - BLACK
Z	 4-1703498-2 - BLACK
II	 MOUNTING CLIP VERSION II

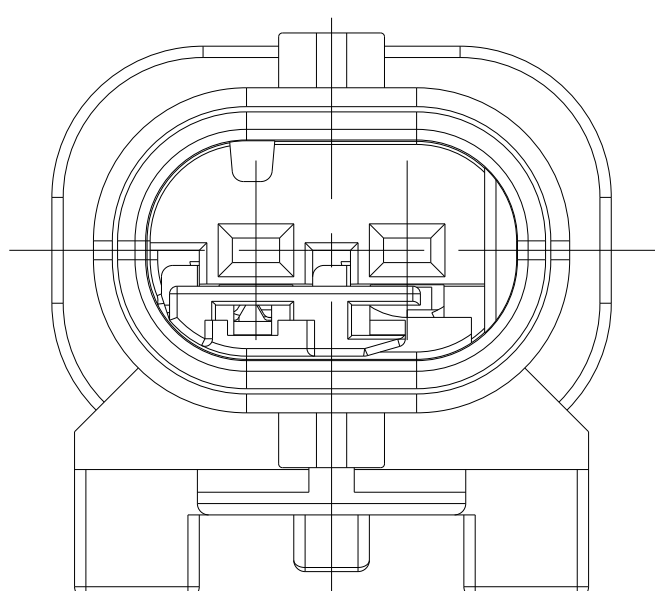
SHOWN 1-1703498-3



REVISIONS				
REV.	DATE	DESCRIPTION	BY	APPD.
C 6	06APR2017	COLOR CORRECTION	LSZ	RT
C 7	02AUG2023	REVISE PER ECN: ECN-23-224821	LSZ	SZN
C 8	08DEC2024	REVISE PER ECN: ECN-24-227508	GB	SZN
C 9	17FEB2026	Drawing correction: Material, Gen.tolerance	GB	SZN

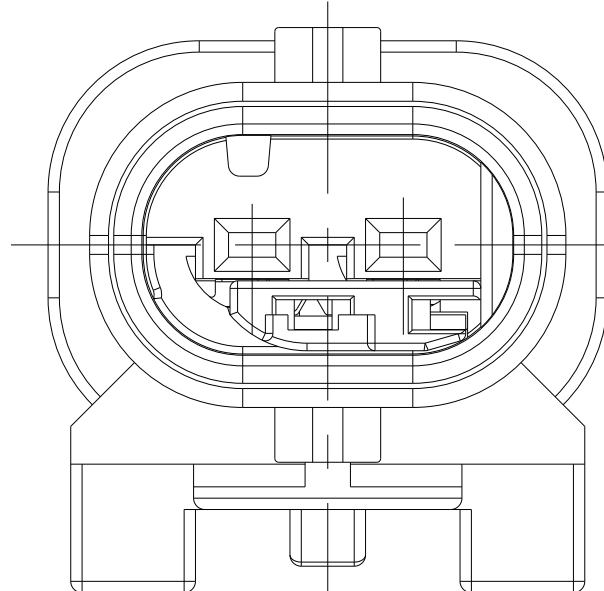
Coding	2:1
A	 1-1703498-3 - BLACK 1-1703498-4 - YELLOW
B	 2-1703498-3 - GREY 2-1703498-4 - YELLOW
C	 3-1703498-3 - BLACK
Z	 4-1703498-3 - BLACK
III	 MOUNTING CLIP VERSION III EW CAP-005-7

RETAINER IN PRE LOCKED POSITION
2. Kontaktsicherung in Vorraststellung



RETAINER MOVING DIRECTION
2. Kontaktsicherung Verschiebeweg

RETAINER IN FINAL LOCKED POSITION
2. Kontaktsicherung in Endraststellung



USED MCON 1.2mm LL MALE TERMINALS AND SEALS			
TE-PN, TERMINALS	WIRE RANGE	TE-PN, SINGLE WIRE SEAL	TE-PN, BLIND PLUG
2141868	0.08 - 0.22mm ²	967067-2	967056-1
1718758	0.25 - 0.35mm ²	967067-2	
1718760	0.5 - 0.75mm ²	967067-1	
1718762	1mm ²	967067-1	

TERMINAL TE-APPLICATION SPEC.: 114-18464

TE	TE	TE	ASSY	REV.	CODE	M.CLIP	Benennung	QTY	Benennung Einzelteil	Werkstoff	Oberflaeche/Farbe	Pos.
SUITABLE FEMALE HSG.	Bestell-Nr.	TE IDs				VERS.	TITLE		TITLE	MATERIAL	SURFACE/COLOR	ITEM
PASSENGE BUCHSENGEH.	ORDER-NO.	ON THE										
		M.HOUSING										
2-1670916-1	2-1703498-4	1703498 (2-1703499-4)	C	B	III	I	Stiftgehaeuse 2pol. MALE HOUSING 2POS.	1	Kontaktsicherung RETAINER	PA66-GF35	violett/VIOLET	2
1-1670916-1	1-1703498-4	1703498 (1-1703499-4)	C	A	III	1	Stiftgehaeuse 2pol. MALE HOUSING 2POS.	1	Kontaktsicherung RETAINER	PA66-GF35	gelb/YELLOW	1b
-	4-1703498-3		C	Z	III	1	Stiftgehaeuse 2pol. MALE HOUSING 2POS.	1	Kontaktsicherung RETAINER	PA66-GF35	violett/VIOLET	2
-	3-1703498-3		C	C	III	1	Stiftgehaeuse 2pol. MALE HOUSING 2POS.	1	Kontaktsicherung RETAINER	PA66-GF35	schwarz/BLACK	1z
2-1670916-1	2-1703498-3	1703498 (2-1703499-3)	C	B	III	1	Stiftgehaeuse 2pol. MALE HOUSING 2POS.	1	Kontaktsicherung RETAINER	PA66-GF35	violett/VIOLET	2
1-1670916-1	1-1703498-3	1703498 (1-1703499-3)	C	A	III	1	Stiftgehaeuse 2pol. MALE HOUSING 2POS.	1	Kontaktsicherung RETAINER	PA66-GF35	gelb/YELLOW	1a
-	4-1703498-2		C	Z	II	1	Stiftgehaeuse 2pol. MALE HOUSING 2POS.	1	Kontaktsicherung RETAINER	PBT-GF30	schwarz/BLACK	1z
-	3-1703498-2		C	C	II	1	Stiftgehaeuse 2pol. MALE HOUSING 2POS.	1	Kontaktsicherung RETAINER	PBT-GF30	schwarz/BLACK	1c
2-1670916-1	2-1703498-2	1703498 (2-1703499-2)	C	B	II	1	Stiftgehaeuse 2pol. MALE HOUSING 2POS.	1	Kontaktsicherung RETAINER	PA66-GF35	violett/VIOLET	2
1-1670916-1	1-1703498-2	1703498 (1-1703499-2)	C	A	II	1	Stiftgehaeuse 2pol. MALE HOUSING 2POS.	1	Kontaktsicherung RETAINER	PA66-GF35	gelb/YELLOW	1a
1-1670916-1	5-1703498-1	1703498 (5-1703499-1)	C	A	I	1	Stiftgehaeuse 2pol. MALE HOUSING 2POS.	1	Kontaktsicherung RETAINER	PA66-GF35	violett/VIOLET	2
-	4-1703498-1		C	Z	I	1	Stiftgehaeuse 2pol. MALE HOUSING 2POS.	1	Kontaktsicherung RETAINER	PA66-GF35	blau/BLUE	1a
-	3-1703498-1		C	C	I	1	Stiftgehaeuse 2pol. MALE HOUSING 2POS.	1	Kontaktsicherung RETAINER	PA66-GF35	schwarz/BLACK	1z
2-1670916-1	2-1703498-1	1703498 (2-1703499-1)	C	B	I	1	Stiftgehaeuse 2pol. MALE HOUSING 2POS.	1	Kontaktsicherung RETAINER	PBT-GF30	schwarz/BLACK	1c
1-1670916-1	1-1703498-1	1703498 (1-1703499-1)	C	A	I	1	Stiftgehaeuse 2pol. MALE HOUSING 2POS.	1	Kontaktsicherung RETAINER	PA66-GF35	violett/VIOLET	2

THIS DRAWING IS A CONTROLLED DOCUMENT. DATE: 19JUN2007. DRAWN BY: LOESSER. CHECKED BY: RIBBER. DIMENSIONS: DIMS. MATERIAL: REGRIND MAX. 25%. FINISH: ANGLE. WEIGHT: 4.48g. CUSTOMER DRAWING. SCALE: 5:1. SHEET: 1 OF 1. REV: 0.

STE TE Connectivity

MALE HOUSING, 2 POS. MCON 1.2 mm LL SEALED ASSY

00779 ©=1703498