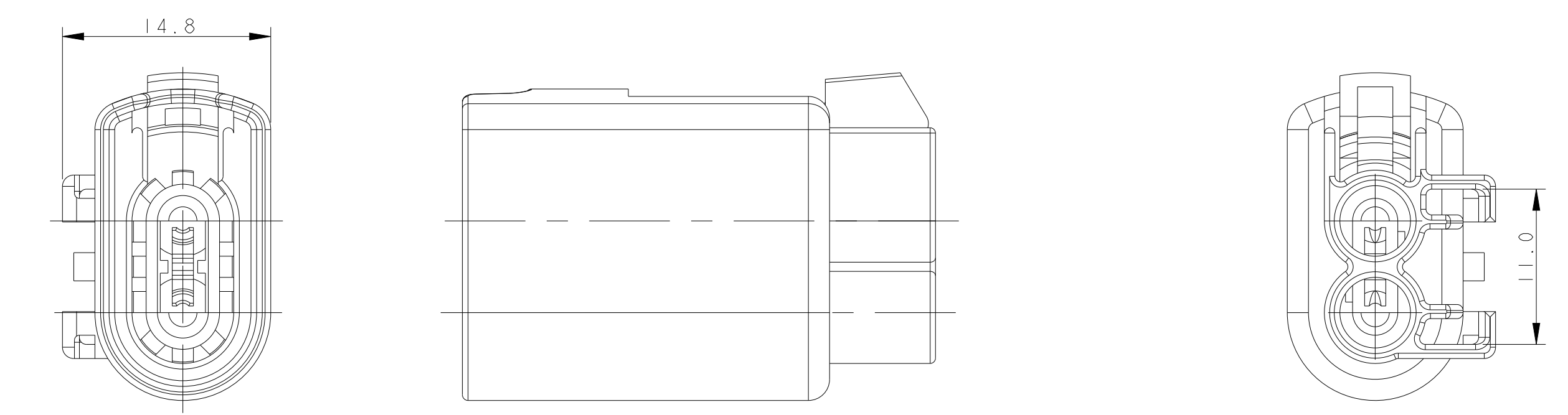


| REVISIONS |           |    |       |
|-----------|-----------|----|-------|
| REV       | DATE      | BY | APP'D |
| A3        | 03JAN2008 | DS | RM    |
| A4        | 14JAN2015 | GN | GB    |
| A5        | 22JUL2016 | GB | SZG   |
| A6        | PROCT024  | EM | IB    |

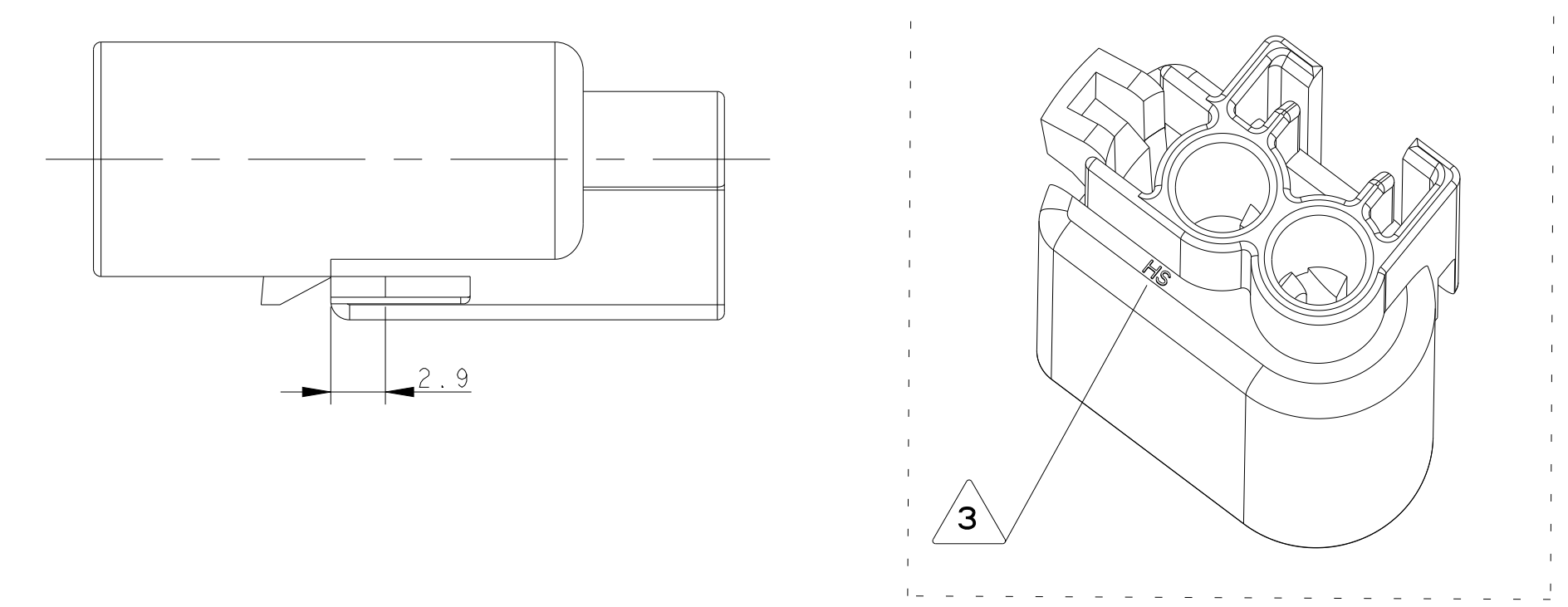
| PART AS SUPPLIED |                                    |            |          | COMPONENTS |          |        | COLOURS     |             |                    | MATERIALS   |   |                    | SUITABLE FOR  |   |             | MATING PARTS    |                                   |            |             |             |
|------------------|------------------------------------|------------|----------|------------|----------|--------|-------------|-------------|--------------------|---|---|--------------------|---|---|-------------|-----------------|-----------------------------------|------------|-------------|-------------|
| TE PART No.      | DESCRIPTION                        | WATERPROOF | WEIGHT   | 1 HOUSING  | 2 SPACER | 3 SEAL | 1 HOUSING   | 2 SPACER    | 3 SEAL             | 1 HOUSING   | 2 SPACER  | 3 SEAL             | 1 HOUSING   | 2 SPACER  | 3 SEAL      | TERMINAL FEMALE | WIRE SEAL                         | BLIND PLUG | TE PART No. | DESCRIPTION |
| 5-1437710-5      | 2 WAY MALE CONNECTOR               | YES        | 4.66 gr. | 1          | 1        | 1      | BLACK       | LIGHT BLUE  | REDDISH BROWN      | HS - PBTP 30% GF  | PBTP 33% GF   | SILICONE ELASTOMER | 0-1437709-9 (0.22-0.35mm <sup>2</sup> ) GOLD PLATED<br>1-1437709-0 (0.50-1.00mm <sup>2</sup> ) GOLD PLATED<br>1-1437709-7 (1.50mm <sup>2</sup> ) GOLD PLATED<br>1-1437709-4 (0.22-0.35mm <sup>2</sup> ) TIN PLATED<br>1-1437709-5 (0.50-1.00mm <sup>2</sup> ) TIN PLATED<br>1-1437709-6 (1.50mm <sup>2</sup> ) TIN PLATED | 1-1437713-1 (0.22-0.35) BLACK<br>1-1437713-2 (0.50-1.00) RED<br>1-1437713-3 (1.50) BLUE | 1-1437713-4 | 2-1437712-5     | 2 WAY FEMALE CONNECTOR WATERPROOF |            |             |             |
| 5-1437710-6      | 2 WAY MALE CONNECTOR WITH RETAINER |            | 5.06 gr. |            |          |        |             |             |                    |   |   |                    |   |   |             |                 |                                   |            |             |             |
| 5-1437710-7      | 2 WAY MALE CONNECTOR               | NO         | 4.64 gr. | 1          | 1        | RED    | PBTP 33% GF | PBTP 33% GF | SILICONE ELASTOMER | 0-1437709-9 (0.22-0.35mm <sup>2</sup> ) GOLD PLATED<br>1-1437709-0 (0.50-1.00mm <sup>2</sup> ) GOLD PLATED<br>1-1437709-7 (1.50mm <sup>2</sup> ) GOLD PLATED<br>1-1437709-4 (0.22-0.35mm <sup>2</sup> ) TIN PLATED<br>1-1437709-5 (0.50-1.00mm <sup>2</sup> ) TIN PLATED<br>1-1437709-6 (1.50mm <sup>2</sup> ) TIN PLATED | 1-1437713-1 (0.22-0.35) BLACK<br>1-1437713-2 (0.50-1.00) RED<br>1-1437713-3 (1.50) BLUE | 1-1437713-4        | 2-1437712-6   | 2 WAY FEMALE CONNECTOR NON WATERPROOF   |             |                 |                                   |            |             |             |
| 5-1437710-8      | 2 WAY MALE CONNECTOR WITH RETAINER |            | 4.84 gr. |            |          |        |             |             |                    |   |   |                    |   |   |             |                 |                                   |            |             |             |

**1 HOUSING WITH RETAINER**  
 WATERPROOF / NOT WATERPROOF



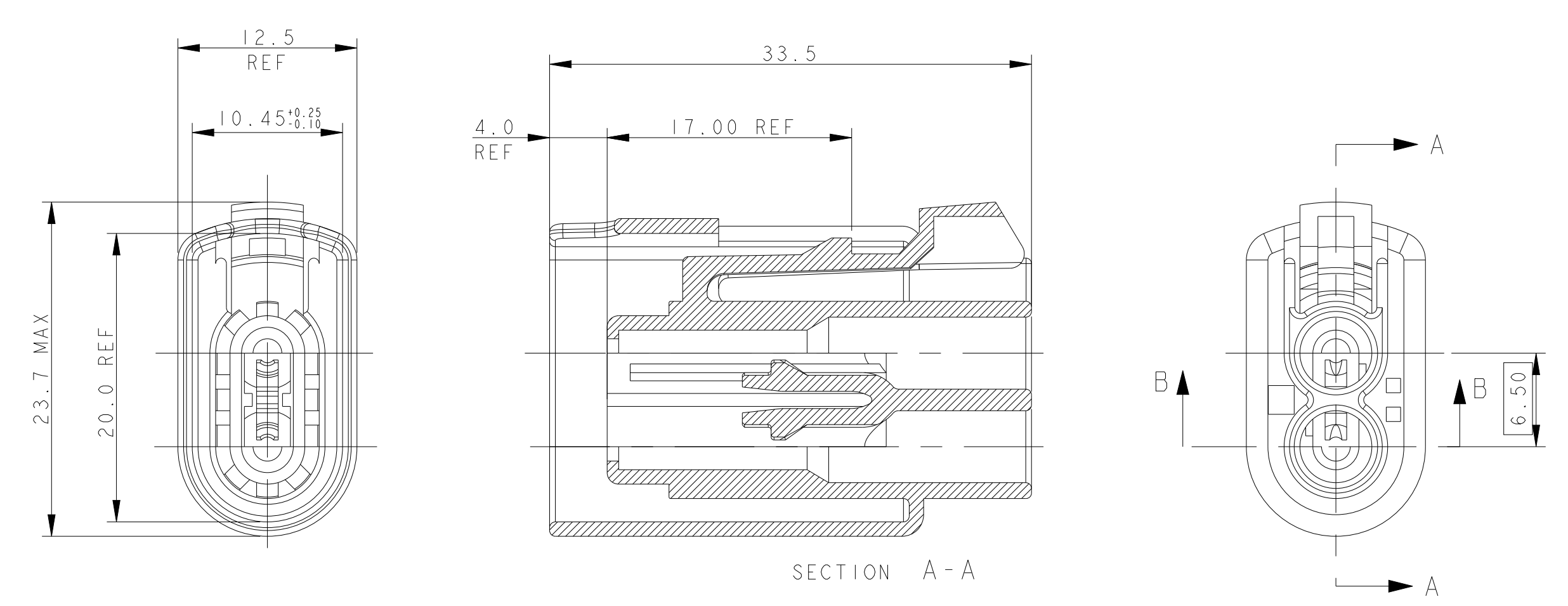
| PART AS SUPPLIED |                                    |            |          | COMPONENTS |          |        | COLOURS     |             |                    | MATERIALS   |   |                    | SUITABLE FOR  |   |             | MATING PARTS    |                                   |            |             |             |
|------------------|------------------------------------|------------|----------|------------|----------|--------|-------------|-------------|--------------------|---|---|--------------------|---|---|-------------|-----------------|-----------------------------------|------------|-------------|-------------|
| TE PART No.      | DESCRIPTION                        | WATERPROOF | WEIGHT   | 1 HOUSING  | 2 SPACER | 3 SEAL | 1 HOUSING   | 2 SPACER    | 3 SEAL             | 1 HOUSING   | 2 SPACER  | 3 SEAL             | 1 HOUSING   | 2 SPACER  | 3 SEAL      | TERMINAL FEMALE | WIRE SEAL                         | BLIND PLUG | TE PART No. | DESCRIPTION |
| 6-1437710-6      | 2 WAY MALE CONNECTOR               | YES        | 4.66 gr. | 1          | 1        | 1      | NATURAL     | LIGHT BLUE  | REDDISH BROWN      | PBTP 33% GF   | PBTP 33% GF   | SILICONE ELASTOMER | 0-1437709-9 (0.22-0.35mm <sup>2</sup> ) GOLD PLATED<br>1-1437709-0 (0.50-1.00mm <sup>2</sup> ) GOLD PLATED<br>1-1437709-7 (1.50mm <sup>2</sup> ) GOLD PLATED<br>1-1437709-4 (0.22-0.35mm <sup>2</sup> ) TIN PLATED<br>1-1437709-5 (0.50-1.00mm <sup>2</sup> ) TIN PLATED<br>1-1437709-6 (1.50mm <sup>2</sup> ) TIN PLATED | 1-1437713-1 (0.22-0.35) BLACK<br>1-1437713-2 (0.50-1.00) RED<br>1-1437713-3 (1.50) BLUE | 1-1437713-4 | 2-1437712-8     | 2 WAY FEMALE CONNECTOR WATERPROOF |            |             |             |
| 6-1437710-7      | 2 WAY MALE CONNECTOR WITH RETAINER |            | 5.06 gr. |            |          |        |             |             |                    |   |   |                    |   |   |             |                 |                                   |            |             |             |
| 6-1437710-8      | 2 WAY MALE CONNECTOR               | NO         | 4.64 gr. | 1          | 1        | RED    | PBTP 33% GF | PBTP 33% GF | SILICONE ELASTOMER | 0-1437709-9 (0.22-0.35mm <sup>2</sup> ) GOLD PLATED<br>1-1437709-0 (0.50-1.00mm <sup>2</sup> ) GOLD PLATED<br>1-1437709-7 (1.50mm <sup>2</sup> ) GOLD PLATED<br>1-1437709-4 (0.22-0.35mm <sup>2</sup> ) TIN PLATED<br>1-1437709-5 (0.50-1.00mm <sup>2</sup> ) TIN PLATED<br>1-1437709-6 (1.50mm <sup>2</sup> ) TIN PLATED | 1-1437713-1 (0.22-0.35) BLACK<br>1-1437713-2 (0.50-1.00) RED<br>1-1437713-3 (1.50) BLUE | 1-1437713-4        | 2-1437712-9   | 2 WAY FEMALE CONNECTOR NON WATERPROOF   |             |                 |                                   |            |             |             |
| 6-1437710-9      | 2 WAY MALE CONNECTOR WITH RETAINER |            | 4.84 gr. |            |          |        |             |             |                    |   |   |                    |   |   |             |                 |                                   |            |             |             |

A4 HS MARKING - AT BLACK VERSION HOUSINGS WITH / WITHOUT RETAINER

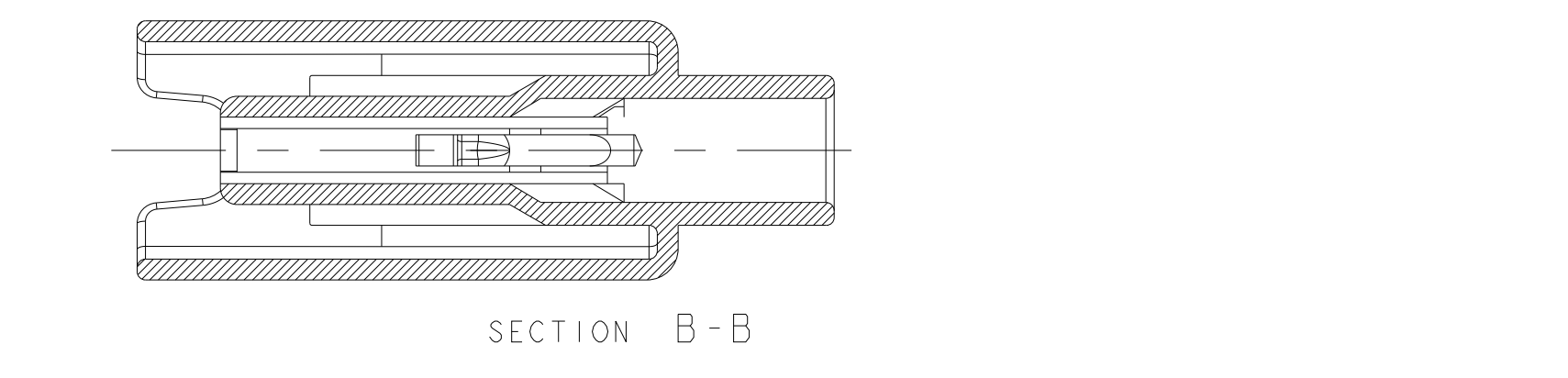


**1 HOUSING WITHOUT RETAINER**  
 WATERPROOF / NOT WATERPROOF

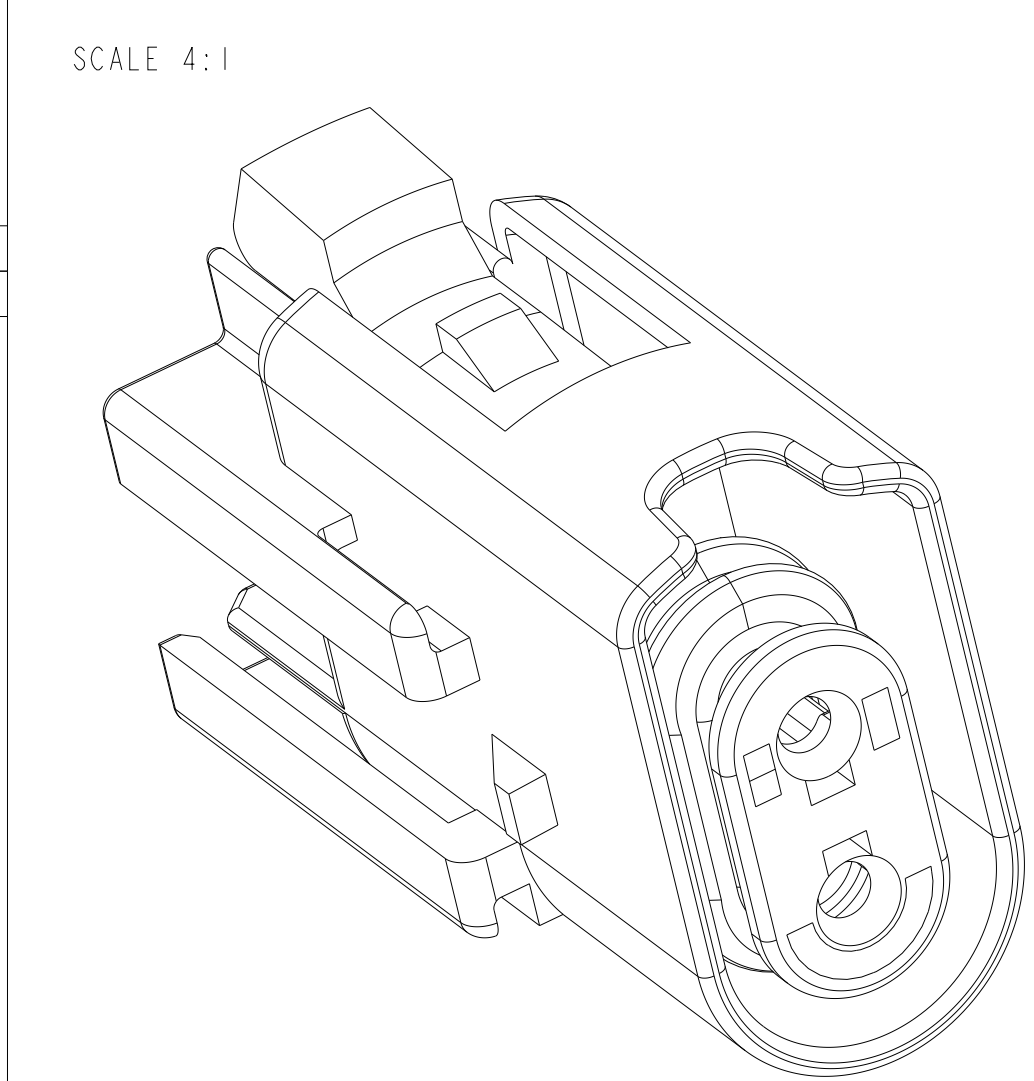
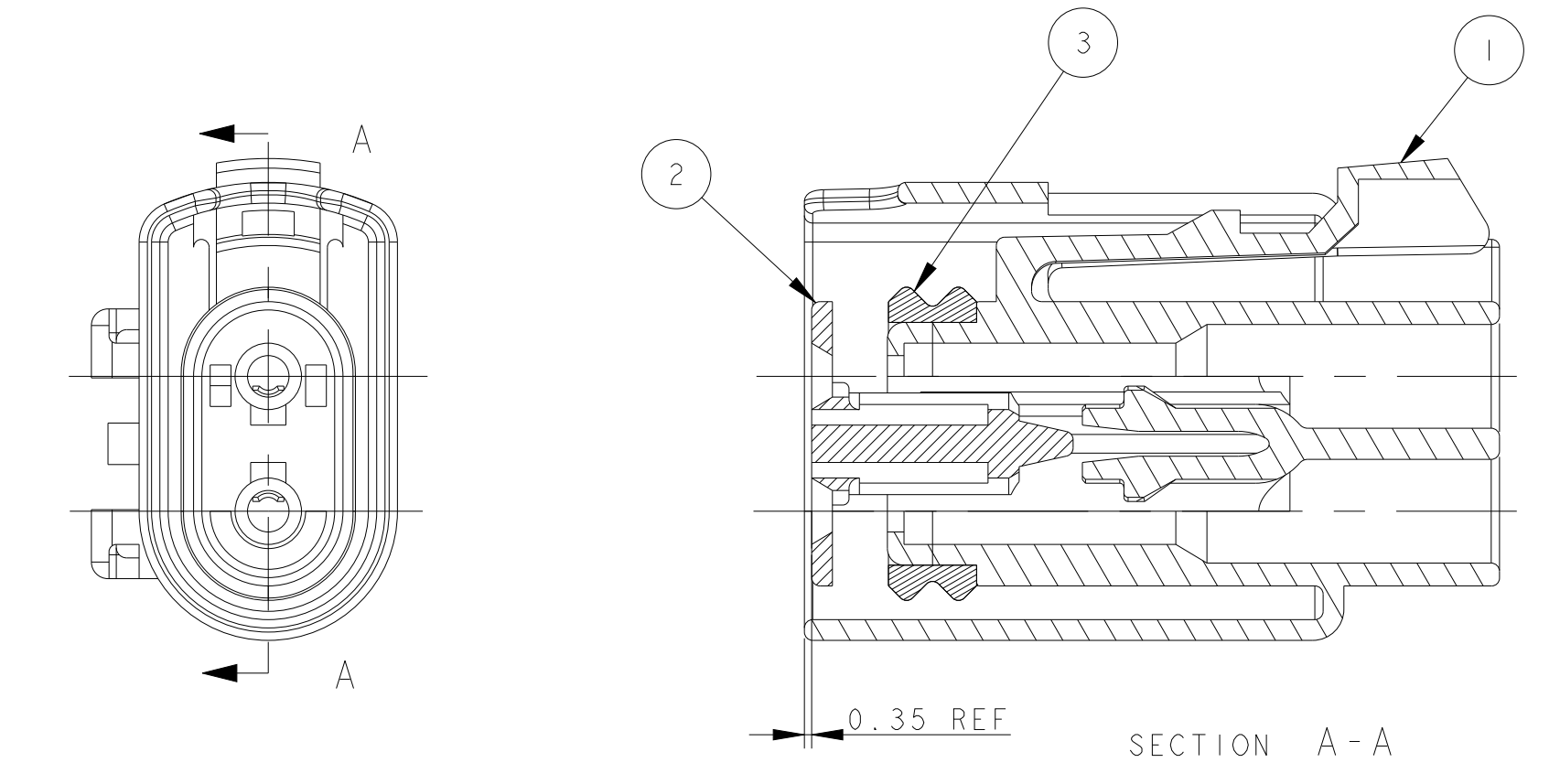
| PART AS SUPPLIED |                                    |            |          | COMPONENTS |          |        | COLOURS   |            |               | MATERIALS   |             |                    | SUITABLE FOR  |   |             | MATING PARTS    |                                   |            |             |             |
|------------------|------------------------------------|------------|----------|------------|----------|--------|-----------|------------|---------------|-------------|-------------|--------------------|---|---|-------------|-----------------|-----------------------------------|------------|-------------|-------------|
| TE PART No.      | DESCRIPTION                        | WATERPROOF | WEIGHT   | 1 HOUSING  | 2 SPACER | 3 SEAL | 1 HOUSING | 2 SPACER   | 3 SEAL        | 1 HOUSING   | 2 SPACER    | 3 SEAL             | 1 HOUSING   | 2 SPACER  | 3 SEAL      | TERMINAL FEMALE | WIRE SEAL                         | BLIND PLUG | TE PART No. | DESCRIPTION |
| 7-1437710-0      | 2 WAY MALE CONNECTOR WITH RETAINER | YES        | 5.06 gr. | 1          | 1        | 1      | RED       | LIGHT BLUE | REDDISH BROWN | PBTP 33% GF | PBTP 33% GF | SILICONE ELASTOMER | 0-1437709-9 (0.22-0.35mm <sup>2</sup> ) GOLD PLATED<br>1-1437709-0 (0.50-1.00mm <sup>2</sup> ) GOLD PLATED<br>1-1437709-7 (1.50mm <sup>2</sup> ) GOLD PLATED<br>1-1437709-4 (0.22-0.35mm <sup>2</sup> ) TIN PLATED<br>1-1437709-5 (0.50-1.00mm <sup>2</sup> ) TIN PLATED<br>1-1437709-6 (1.50mm <sup>2</sup> ) TIN PLATED | 1-1437713-1 (0.22-0.35) BLACK<br>1-1437713-2 (0.50-1.00) RED<br>1-1437713-3 (1.50) BLUE | 1-1437713-4 | 2-1437712-9     | 2 WAY FEMALE CONNECTOR WATERPROOF |            |             |             |
| 7-1437710-1      | 2 WAY MALE CONNECTOR WITH RETAINER |            | 4.84 gr. |            |          |        |           |            |               |             |             |                    |   |   |             |                 |                                   |            |             |             |



| PART AS SUPPLIED |                                    |            |          | COMPONENTS |          |        | COLOURS     |             |                    | MATERIALS   |   |                    | SUITABLE FOR  |   |             | MATING PARTS    |                                   |            |             |             |
|------------------|------------------------------------|------------|----------|------------|----------|--------|-------------|-------------|--------------------|---|---|--------------------|---|---|-------------|-----------------|-----------------------------------|------------|-------------|-------------|
| TE PART No.      | DESCRIPTION                        | WATERPROOF | WEIGHT   | 1 HOUSING  | 2 SPACER | 3 SEAL | 1 HOUSING   | 2 SPACER    | 3 SEAL             | 1 HOUSING   | 2 SPACER  | 3 SEAL             | 1 HOUSING   | 2 SPACER  | 3 SEAL      | TERMINAL FEMALE | WIRE SEAL                         | BLIND PLUG | TE PART No. | DESCRIPTION |
| 5-1437710-9      | 2 WAY MALE CONNECTOR               | YES        | 4.66 gr. | 1          | 1        | 1      | BLUE        | LIGHT BLUE  | REDDISH BROWN      | PBTP 33% GF   | PBTP 33% GF   | SILICONE ELASTOMER | 0-1437709-9 (0.22-0.35mm <sup>2</sup> ) GOLD PLATED<br>1-1437709-0 (0.50-1.00mm <sup>2</sup> ) GOLD PLATED<br>1-1437709-7 (1.50mm <sup>2</sup> ) GOLD PLATED<br>1-1437709-4 (0.22-0.35mm <sup>2</sup> ) TIN PLATED<br>1-1437709-5 (0.50-1.00mm <sup>2</sup> ) TIN PLATED<br>1-1437709-6 (1.50mm <sup>2</sup> ) TIN PLATED | 1-1437713-1 (0.22-0.35) BLACK<br>1-1437713-2 (0.50-1.00) RED<br>1-1437713-3 (1.50) BLUE | 1-1437713-4 | 2-1437712-6     | 2 WAY FEMALE CONNECTOR WATERPROOF |            |             |             |
| 6-1437710-0      | 2 WAY MALE CONNECTOR WITH RETAINER |            | 5.06 gr. |            |          |        |             |             |                    |   |   |                    |   |   |             |                 |                                   |            |             |             |
| 6-1437710-1      | 2 WAY MALE CONNECTOR               | NO         | 4.64 gr. | 1          | 1        | RED    | PBTP 33% GF | PBTP 33% GF | SILICONE ELASTOMER | 0-1437709-9 (0.22-0.35mm <sup>2</sup> ) GOLD PLATED<br>1-1437709-0 (0.50-1.00mm <sup>2</sup> ) GOLD PLATED<br>1-1437709-7 (1.50mm <sup>2</sup> ) GOLD PLATED<br>1-1437709-4 (0.22-0.35mm <sup>2</sup> ) TIN PLATED<br>1-1437709-5 (0.50-1.00mm <sup>2</sup> ) TIN PLATED<br>1-1437709-6 (1.50mm <sup>2</sup> ) TIN PLATED | 1-1437713-1 (0.22-0.35) BLACK<br>1-1437713-2 (0.50-1.00) RED<br>1-1437713-3 (1.50) BLUE | 1-1437713-4        | 2-1437712-6   | 2 WAY FEMALE CONNECTOR NON WATERPROOF   |             |                 |                                   |            |             |             |
| 6-1437710-2      | 2 WAY MALE CONNECTOR WITH RETAINER |            | 4.84 gr. |            |          |        |             |             |                    |   |   |                    |   |   |             |                 |                                   |            |             |             |



| PART AS SUPPLIED |                                    |            |          | COMPONENTS |          |        | COLOURS     |             |                    | MATERIALS   |   |                    | SUITABLE FOR  |   |             | MATING PARTS    |                                   |            |             |             |
|------------------|------------------------------------|------------|----------|------------|----------|--------|-------------|-------------|--------------------|---|---|--------------------|---|---|-------------|-----------------|-----------------------------------|------------|-------------|-------------|
| TE PART No.      | DESCRIPTION                        | WATERPROOF | WEIGHT   | 1 HOUSING  | 2 SPACER | 3 SEAL | 1 HOUSING   | 2 SPACER    | 3 SEAL             | 1 HOUSING   | 2 SPACER  | 3 SEAL             | 1 HOUSING   | 2 SPACER  | 3 SEAL      | TERMINAL FEMALE | WIRE SEAL                         | BLIND PLUG | TE PART No. | DESCRIPTION |
| 6-1437710-3      | 2 WAY MALE CONNECTOR               | YES        | 4.66 gr. | 1          | 1        | 1      | GRAY        | LIGHT BLUE  | REDDISH BROWN      | PBTP 33% GF   | PBTP 33% GF   | SILICONE ELASTOMER | 0-1437709-9 (0.22-0.35mm <sup>2</sup> ) GOLD PLATED<br>1-1437709-0 (0.50-1.00mm <sup>2</sup> ) GOLD PLATED<br>1-1437709-7 (1.50mm <sup>2</sup> ) GOLD PLATED<br>1-1437709-4 (0.22-0.35mm <sup>2</sup> ) TIN PLATED<br>1-1437709-5 (0.50-1.00mm <sup>2</sup> ) TIN PLATED<br>1-1437709-6 (1.50mm <sup>2</sup> ) TIN PLATED | 1-1437713-1 (0.22-0.35) BLACK<br>1-1437713-2 (0.50-1.00) RED<br>1-1437713-3 (1.50) BLUE | 1-1437713-4 | 2-1437712-7     | 2 WAY FEMALE CONNECTOR WATERPROOF |            |             |             |
| 6-1437710-4      | 2 WAY MALE CONNECTOR WITH RETAINER |            | 5.06 gr. |            |          |        |             |             |                    |   |   |                    |   |   |             |                 |                                   |            |             |             |
| 6-1437710-5      | 2 WAY MALE CONNECTOR               | NO         | 4.64 gr. | 1          | 1        | RED    | PBTP 33% GF | PBTP 33% GF | SILICONE ELASTOMER | 0-1437709-9 (0.22-0.35mm <sup>2</sup> ) GOLD PLATED<br>1-1437709-0 (0.50-1.00mm <sup>2</sup> ) GOLD PLATED<br>1-1437709-7 (1.50mm <sup>2</sup> ) GOLD PLATED<br>1-1437709-4 (0.22-0.35mm <sup>2</sup> ) TIN PLATED<br>1-1437709-5 (0.50-1.00mm <sup>2</sup> ) TIN PLATED<br>1-1437709-6 (1.50mm <sup>2</sup> ) TIN PLATED | 1-1437713-1 (0.22-0.35) BLACK<br>1-1437713-2 (0.50-1.00) RED<br>1-1437713-3 (1.50) BLUE | 1-1437713-4        | 2-1437712-7   | 2 WAY FEMALE CONNECTOR NON WATERPROOF   |             |                 |                                   |            |             |             |
| 6-1437710-6      | 2 WAY MALE CONNECTOR WITH RETAINER |            | 4.84 gr. |            |          |        |             |             |                    |   |   |                    |   |   |             |                 |                                   |            |             |             |



NOTES UNLESS OTHERWISE SPECIFIED:  
 1) SEE CHART FOR MATING PART NUMBERS.  
 2) THE CONNECTOR WITH AND WITHOUT RETAINER MOUNTING FEATURE IS DESIGNED TO PASS THROUGH A Ø 24.00mm MIN. HOLE  
 A4 HS MARKING - HIGH SPEED MATERIAL PBT GF 30 IN CASE BLACK HOUSING WITH / WITHOUT RETAINER VERSION ONLY

| PART AS SUPPLIED |                                    |            |          | COMPONENTS |          |        | COLOURS     |             |                    | MATERIALS   |   |                    | SUITABLE FOR  |   |             | MATING PARTS    |                                   |            |             |             |
|------------------|------------------------------------|------------|----------|------------|----------|--------|-------------|-------------|--------------------|---|---|--------------------|---|---|-------------|-----------------|-----------------------------------|------------|-------------|-------------|
| TE PART No.      | DESCRIPTION                        | WATERPROOF | WEIGHT   | 1 HOUSING  | 2 SPACER | 3 SEAL | 1 HOUSING   | 2 SPACER    | 3 SEAL             | 1 HOUSING   | 2 SPACER  | 3 SEAL             | 1 HOUSING   | 2 SPACER  | 3 SEAL      | TERMINAL FEMALE | WIRE SEAL                         | BLIND PLUG | TE PART No. | DESCRIPTION |
| 7-1437710-2      | 2 WAY MALE CONNECTOR               | YES        | 4.66 gr. | 1          | 1        | 1      | YELLOW      | LIGHT BLUE  | REDDISH BROWN      | PBTP 33% GF   | PBTP 33% GF   | SILICONE ELASTOMER | 0-1437709-9 (0.22-0.35mm <sup>2</sup> ) GOLD PLATED<br>1-1437709-0 (0.50-1.00mm <sup>2</sup> ) GOLD PLATED<br>1-1437709-7 (1.50mm <sup>2</sup> ) GOLD PLATED<br>1-1437709-4 (0.22-0.35mm <sup>2</sup> ) TIN PLATED<br>1-1437709-5 (0.50-1.00mm <sup>2</sup> ) TIN PLATED<br>1-1437709-6 (1.50mm <sup>2</sup> ) TIN PLATED | 1-1437713-1 (0.22-0.35) BLACK<br>1-1437713-2 (0.50-1.00) RED<br>1-1437713-3 (1.50) BLUE | 1-1437713-4 | 2-1437712-0     | 2 WAY FEMALE CONNECTOR WATERPROOF |            |             |             |
| 7-1437710-3      | 2 WAY MALE CONNECTOR WITH RETAINER |            | 5.06 gr. |            |          |        |             |             |                    |   |   |                    |   |   |             |                 |                                   |            |             |             |
| 7-1437710-4      | 2 WAY MALE CONNECTOR               | NO         | 4.64 gr. | 1          | 1        | RED    | PBTP 33% GF | PBTP 33% GF | SILICONE ELASTOMER | 0-1437709-9 (0.22-0.35mm <sup>2</sup> ) GOLD PLATED<br>1-1437709-0 (0.50-1.00mm <sup>2</sup> ) GOLD PLATED<br>1-1437709-7 (1.50mm <sup>2</sup> ) GOLD PLATED<br>1-1437709-4 (0.22-0.35mm <sup>2</sup> ) TIN PLATED<br>1-1437709-5 (0.50-1.00mm <sup>2</sup> ) TIN PLATED<br>1-1437709-6 (1.50mm <sup>2</sup> ) TIN PLATED | 1-1437713-1 (0.22-0.35) BLACK<br>1-1437713-2 (0.50-1.00) RED<br>1-1437713-3 (1.50) BLUE | 1-1437713-4        | 2-1437712-0   | 2 WAY FEMALE CONNECTOR NON WATERPROOF   |             |                 |                                   |            |             |             |
| 7-1437710-5      | 2 WAY MALE CONNECTOR WITH RETAINER |            | 4.84 gr. |            |          |        |             |             |                    |   |   |                    |   |   |             |                 |                                   |            |             |             |

|  |                |   |                 |   |   |                  |               |
|--|----------------|---|-----------------|---|---|------------------|---------------|
| THIS DRAWING IS A CONTROLLED DOCUMENT. |                | DATE: 26MAY2008                                 | REV: 0          | DESCRIPTION: 1.6mm SYSTEM 2-WAYS CONNECTOR MALE | SCALE: 3:1                                      | SHEET: 1 OF 2    | REV: A6       |
| DRAWN: 0 PFC                           | CHECKED: 0 PFC | APPROVED: 0 PFC                                 | DATE: 26MAY2008 | REV: 0  | DESCRIPTION: 1.6mm SYSTEM 2-WAYS CONNECTOR MALE | SCALE: 3:1       | SHEET: 1 OF 2 |
| DATE: 26MAY2008                        | REV: 0         | DESCRIPTION: 1.6mm SYSTEM 2-WAYS CONNECTOR MALE | SCALE: 3:1      | SHEET: 1 OF 2                                   | REV: A6   | Customer Drawing |               |

**2 WAY MALE, BLACK WATERPROOF VERSION WITH RETAINER**

|                       |                 |
|-----------------------|-----------------|
| <b>ASSEMBLY</b>       |                 |
| T&B UNIVERSAL PART No | 106049          |
| TE PART No.           | 0-1437710-8     |
| T&B FORD PART No      | NPITA-00R2XX    |
| FORD PART No          | 91AG-14A464-BBC |
| TE PART No.           | 5-1437710-6     |

1 OBSOLETE, SUPERSEDED BY 5-1437710-6

**2 WAY MALE, NATURAL WATERPROOF VERSION WITH RETAINER**

|                       |                 |
|-----------------------|-----------------|
| <b>ASSEMBLY</b>       |                 |
| T&B UNIVERSAL PART No | 106049-N        |
| TE PART No.           | 1-1437710-0     |
| T&B FORD PART No      | NPITA-N0R2XX    |
| FORD PART No          | 91AG-14A464-BBC |
| TE PART No.           | 6-1437710-7     |

2 OBSOLETE, SUPERSEDED BY 6-1437710-7

**2 WAY MALE, RED WATERPROOF VERSION WITH RETAINER**

|                       |                 |
|-----------------------|-----------------|
| <b>ASSEMBLY</b>       |                 |
| T&B UNIVERSAL PART No | 106049-R        |
| TE PART No.           | 1-1437710-1     |
| T&B FORD PART No      | NPITA-R0R2XX    |
| FORD PART No          | 91AG-14A464-BBC |
| TE PART No.           | 7-1437710-0     |

3 OBSOLETE, SUPERSEDED BY 7-1437710-0

**2 WAY MALE, GREY WATERPROOF VERSION WITH RETAINER**

|                       |                 |
|-----------------------|-----------------|
| <b>ASSEMBLY</b>       |                 |
| T&B UNIVERSAL PART No | 106049-G        |
| TE PART No.           | 6-1437710-4     |
| T&B FORD PART No      | NPITA-G0R2XX    |
| FORD PART No          | 91AG-14A464-BBC |
| TE PART No.           | 6-1437710-4     |

**2 WAY MALE, YELLOW WATERPROOF VERSION WITH RETAINER**

|                       |                 |
|-----------------------|-----------------|
| <b>ASSEMBLY</b>       |                 |
| T&B UNIVERSAL PART No | 106049-Y        |
| TE PART No.           | 7-1437710-3     |
| T&B FORD PART No      | NPITA-Y0R2XX    |
| FORD PART No          | 91AG-14A464-BBC |
| TE PART No.           | 7-1437710-3     |

**2 WAY MALE, BLUE WATERPROOF VERSION WITH RETAINER**

|                       |                 |
|-----------------------|-----------------|
| <b>ASSEMBLY</b>       |                 |
| T&B UNIVERSAL PART No | 106049-D        |
| TE PART No.           | 0-1437710-9     |
| T&B FORD PART No      | NPITA-D0R2XX    |
| FORD PART No          | 91AG-14A464-BBC |
| TE PART No.           | 6-1437710-0     |

4 OBSOLETE, SUPERSEDED BY 6-1437710-0

**2 WAY MALE, BLACK WATERPROOF VERSION WITHOUT RETAINER**

|                       |                 |
|-----------------------|-----------------|
| <b>ASSEMBLY</b>       |                 |
| T&B UNIVERSAL PART No | 106047          |
| TE PART No.           | 5-1437710-5     |
| T&B FORD PART No      | NPITA-0002XX    |
| FORD PART No          | 89FG-14A464-ABB |
| TE PART No.           | 5-1437710-5     |

**2 WAY MALE, NATURAL WATERPROOF VERSION WITHOUT RETAINER**

|                       |                 |
|-----------------------|-----------------|
| <b>ASSEMBLY</b>       |                 |
| T&B UNIVERSAL PART No | 106047-N        |
| TE PART No.           | 6-1437710-6     |
| T&B FORD PART No      | NPITA-N002XX    |
| FORD PART No          | 89FG-14A464-ABB |
| TE PART No.           | 6-1437710-6     |

**2 WAY MALE, RED WATERPROOF VERSION WITHOUT RETAINER**

|                       |                 |
|-----------------------|-----------------|
| <b>ASSEMBLY</b>       |                 |
| T&B UNIVERSAL PART No | 106047-R        |
| TE PART No.           | -               |
| T&B FORD PART No      | NPITA-R002XX    |
| FORD PART No          | 89FG-14A464-ABB |
| TE PART No.           | -               |

**2 WAY MALE, GREY WATERPROOF VERSION WITHOUT RETAINER**

|                       |                 |
|-----------------------|-----------------|
| <b>ASSEMBLY</b>       |                 |
| T&B UNIVERSAL PART No | 106047-G        |
| TE PART No.           | 6-1437710-3     |
| T&B FORD PART No      | NPITA-G002XX    |
| FORD PART No          | 89FG-14A464-ABB |
| TE PART No.           | 6-1437710-3     |

**2 WAY MALE, YELLOW WATERPROOF VERSION WITHOUT RETAINER**

|                       |                 |
|-----------------------|-----------------|
| <b>ASSEMBLY</b>       |                 |
| T&B UNIVERSAL PART No | 106047-Y        |
| TE PART No.           | 7-1437710-2     |
| T&B FORD PART No      | NPITA-Y002XX    |
| FORD PART No          | 89FG-14A464-ABB |
| TE PART No.           | 7-1437710-2     |

**2 WAY MALE, BLUE WATERPROOF VERSION WITHOUT RETAINER**

|                       |                 |
|-----------------------|-----------------|
| <b>ASSEMBLY</b>       |                 |
| T&B UNIVERSAL PART No | 106047-D        |
| TE PART No.           | 5-1437710-9     |
| T&B FORD PART No      | NPITA-D002XX    |
| FORD PART No          | 89FG-14A464-ABB |
| TE PART No.           | 5-1437710-9     |

**2 WAY MALE, BLACK NON WATERPROOF VERSION WITH RETAINER**

|                       |                |
|-----------------------|----------------|
| <b>ASSEMBLY</b>       |                |
| T&B UNIVERSAL PART No | 106050         |
| TE PART No.           | 1-1437710-2    |
| T&B FORD PART No      | NPITA-0AR2XX   |
| FORD PART No          | 91AG-14489-BBC |
| TE PART No.           | 5-1437710-8    |

5 OBSOLETE, SUPERSEDED BY 5-1437710-8

**2 WAY MALE, NATURAL NON WATERPROOF VERSION WITH RETAINER**

|                       |                |
|-----------------------|----------------|
| <b>ASSEMBLY</b>       |                |
| T&B UNIVERSAL PART No | 106050-N       |
| TE PART No.           | 6-1437710-9    |
| T&B FORD PART No      | NPITA-NAR2XX   |
| FORD PART No          | 91AG-14489-BBC |
| TE PART No.           | 6-1437710-9    |

**2 WAY MALE, RED NON WATERPROOF VERSION WITH RETAINER**

|                       |                |
|-----------------------|----------------|
| <b>ASSEMBLY</b>       |                |
| T&B UNIVERSAL PART No | 106050-R       |
| TE PART No.           | 7-1437710-1    |
| T&B FORD PART No      | NPITA-RAR2XX   |
| FORD PART No          | 91AG-14489-BBC |
| TE PART No.           | 7-1437710-1    |

**2 WAY MALE, GREY NON WATERPROOF VERSION WITH RETAINER**

|                       |                |
|-----------------------|----------------|
| <b>ASSEMBLY</b>       |                |
| T&B UNIVERSAL PART No | 106050-G       |
| TE PART No.           | -              |
| T&B FORD PART No      | NPITA-GAR2XX   |
| FORD PART No          | 91AG-14489-BBC |
| TE PART No.           | -              |

**2 WAY MALE, YELLOW NON WATERPROOF VERSION WITH RETAINER**

|                       |                |
|-----------------------|----------------|
| <b>ASSEMBLY</b>       |                |
| T&B UNIVERSAL PART No | 106050-Y       |
| TE PART No.           | 7-1437710-5    |
| T&B FORD PART No      | NPITA-YAR2XX   |
| FORD PART No          | 91AG-14489-BBC |
| TE PART No.           | 7-1437710-5    |

**2 WAY MALE, BLUE NON WATERPROOF VERSION WITH RETAINER**

|                       |                |
|-----------------------|----------------|
| <b>ASSEMBLY</b>       |                |
| T&B UNIVERSAL PART No | 106050-D       |
| TE PART No.           | 6-1437710-2    |
| T&B FORD PART No      | NPITA-DAR2XX   |
| FORD PART No          | 91AG-14489-BBC |
| TE PART No.           | 6-1437710-2    |

**2 WAY MALE, BLACK NON WATERPROOF VERSION WITHOUT RETAINER**

|                       |                |
|-----------------------|----------------|
| <b>ASSEMBLY</b>       |                |
| T&B UNIVERSAL PART No | 106048         |
| TE PART No.           | 0-1437710-7    |
| T&B FORD PART No      | NPITA-0A02XX   |
| FORD PART No          | 89FG-14489-ABB |
| TE PART No.           | 5-1437710-7    |

6 OBSOLETE, SUPERSEDED BY 5-1437710-7

**2 WAY MALE, NATURAL NON WATERPROOF VERSION WITHOUT RETAINER**

|                       |                |
|-----------------------|----------------|
| <b>ASSEMBLY</b>       |                |
| T&B UNIVERSAL PART No | 106048-N       |
| TE PART No.           | 6-1437710-8    |
| T&B FORD PART No      | NPITA-NA02XX   |
| FORD PART No          | 89FG-14489-ABB |
| TE PART No.           | 6-1437710-8    |

**2 WAY MALE, RED NON WATERPROOF VERSION WITHOUT RETAINER**

|                       |                |
|-----------------------|----------------|
| <b>ASSEMBLY</b>       |                |
| T&B UNIVERSAL PART No | 106048-R       |
| TE PART No.           | -              |
| T&B FORD PART No      | NPITA-RA02XX   |
| FORD PART No          | 89FG-14489-ABB |
| TE PART No.           | -              |

**2 WAY MALE, GREY NON WATERPROOF VERSION WITHOUT RETAINER**

|                       |                |
|-----------------------|----------------|
| <b>ASSEMBLY</b>       |                |
| T&B UNIVERSAL PART No | 106048-G       |
| TE PART No.           | 6-1437710-5    |
| T&B FORD PART No      | NPITA-GA02XX   |
| FORD PART No          | 89FG-14489-ABB |
| TE PART No.           | 6-1437710-5    |

**2 WAY MALE, YELLOW NON WATERPROOF VERSION WITHOUT RETAINER**

|                       |                |
|-----------------------|----------------|
| <b>ASSEMBLY</b>       |                |
| T&B UNIVERSAL PART No | 106048-Y       |
| TE PART No.           | 7-1437710-4    |
| T&B FORD PART No      | NPITA-YA02XX   |
| FORD PART No          | 89FG-14489-ABB |
| TE PART No.           | 7-1437710-4    |

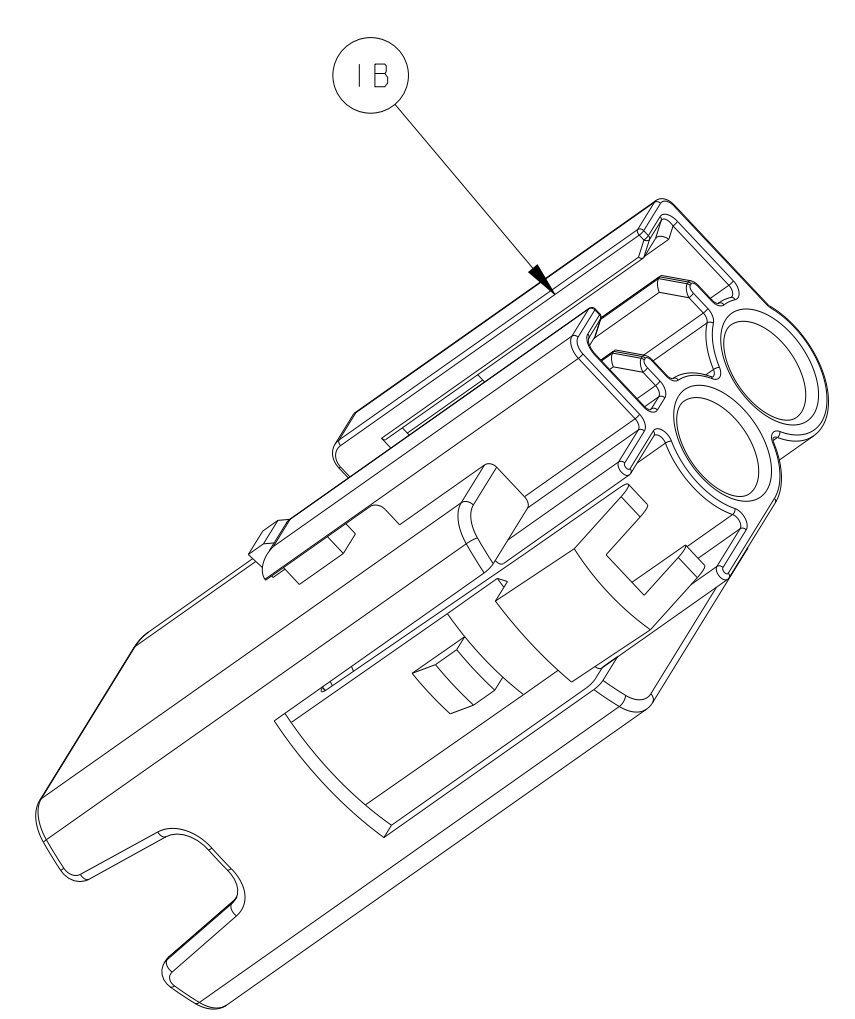
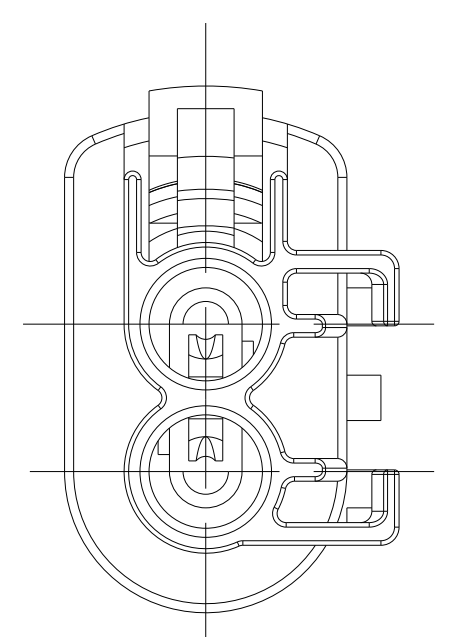
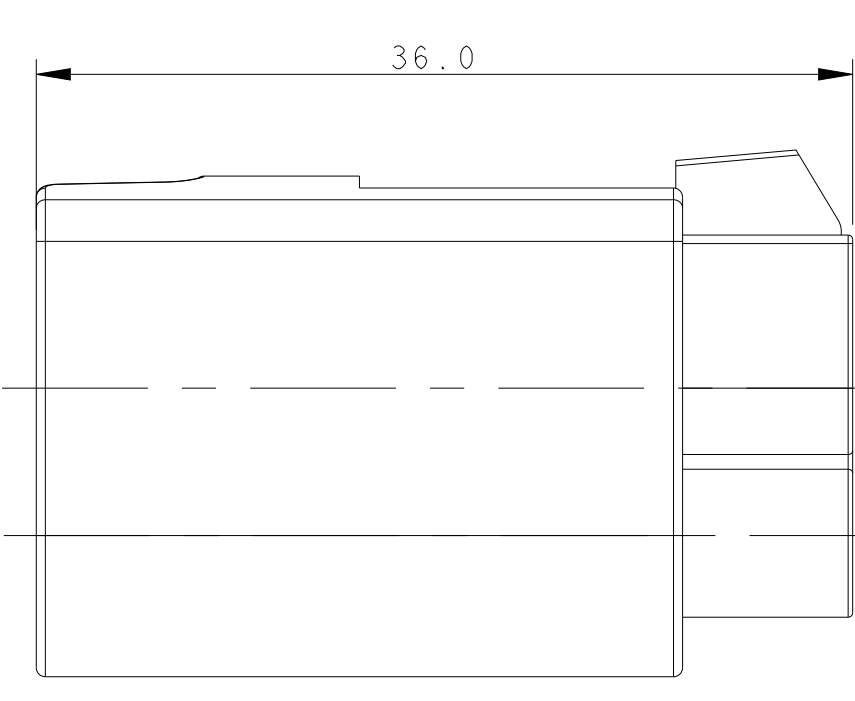
**2 WAY MALE, BLUE NON WATERPROOF VERSION WITHOUT RETAINER**

|                       |                |
|-----------------------|----------------|
| <b>ASSEMBLY</b>       |                |
| T&B UNIVERSAL PART No | 106048-D       |
| TE PART No.           | 6-1437710-1    |
| T&B FORD PART No      | NPITA-DA02XX   |
| FORD PART No          | 89FG-14489-ABB |
| TE PART No.           | 6-1437710-1    |

**2 WAY MALE, GREY WATERPROOF VERSION WITH EXTENDED SHROUD**

|                 |                 |
|-----------------|-----------------|
| <b>ASSEMBLY</b> |                 |
| T&B PART No     | 2450159-001     |
| FORD PART No    | 98AG-14A464-DBA |
| TE PART No.     | 0-1437710-1     |

7 IMPORTANT! ADD COLOUR AT ORDERS WITH FORD-PN'S  
 E.G. 91AG-14A464-BBC RED



**2 WAY MALE, GREY VERSION P/N 0-1437710-1 WITH EXTENDED SHROUD**

|  |  |  |  |  |  |  |  |  |  | DESCRIPTION                                       | ITEM |
|--|--|--|--|--|--|--|--|--|--|---|------|
|  |  |  |  |  |  |  |  |  |  | HOUSING WITH RETAINER (BLACK)                     | 1    |
|  |  |  |  |  |  |  |  |  |  | HOUSING WITHOUT RETAINER (BLACK)                  | 1    |
|  |  |  |  |  |  |  |  |  |  | HOUSING WITH RETAINER (NATURAL)                   | 1    |
|  |  |  |  |  |  |  |  |  |  | HOUSING WITHOUT RETAINER (NATURAL)                | 1    |
|  |  |  |  |  |  |  |  |  |  | HOUSING WITH RETAINER (RED)                       | 1    |
|  |  |  |  |  |  |  |  |  |  | HOUSING WITHOUT RETAINER (RED)                    | 1    |
|  |  |  |  |  |  |  |  |  |  | HOUSING WITH RETAINER (YELLOW)                    | 1    |
|  |  |  |  |  |  |  |  |  |  | HOUSING WITHOUT RETAINER (YELLOW)                 | 1    |
|  |  |  |  |  |  |  |  |  |  | HOUSING WITH RETAINER (GRAY)                      | 1    |
|  |  |  |  |  |  |  |  |  |  | HOUSING WITHOUT RETAINER (GRAY)                   | 1    |
|  |  |  |  |  |  |  |  |  |  | HOUSING WITH RETAINER (BLUE)                      | 1    |
|  |  |  |  |  |  |  |  |  |  | HOUSING WITHOUT RETAINER (BLUE)                   | 1    |
|  |  |  |  |  |  |  |  |  |  | HOUSING WITH EXTENDED SHROUD WITH RETAINER (GRAY) | 1B   |
|  |  |  |  |  |  |  |  |  |  | SPACER (RED)                                      | 2    |
|  |  |  |  |  |  |  |  |  |  | SPACER (LIGHT BLUE)                               | 2    |
|  |  |  |  |  |  |  |  |  |  | SEAL (REDDISH BROWN)                              | 3    |

| PART AS SUPPLIED |   |            |          | COMPONENTS |          |        | COLOURS   |          |        | MATERIALS |          |        |
|------------------|---|------------|----------|------------|----------|--------|-----------|----------|--------|-----------|----------|--------|
| TE PART No.      | DESCRIPTION   | WATERPROOF | WEIGHT   | 1 HOUSING  | 2 SPACER | 3 SEAL | 1 HOUSING | 2 SPACER | 3 SEAL | 1 HOUSING | 2 SPACER | 3 SEAL |
| -                | 2 WAY MALE CONNECTOR WITH EXTENDED SHROUD               | YES        | -        | 1          | 1        | 1      |           |          |        |           |          |        |
| 0-1437710-1      | 2 WAY MALE CONNECTOR WITH EXTENDED SHROUD WITH RETAINER | YES        | 5.46 gr. | 1          | 1        | 1      |           |          |        |           |          |        |
| -                | 2 WAY MALE CONNECTOR WITH EXTENDED SHROUD               | NO         | -        | 1          | 1        |        |           |          |        |           |          |        |
| -                | 2 WAY MALE CONNECTOR WITH EXTENDED SHROUD WITH RETAINER | NO         | -        | 1          | 1        |        |           |          |        |           |          |        |

**SUITABLE FOR**

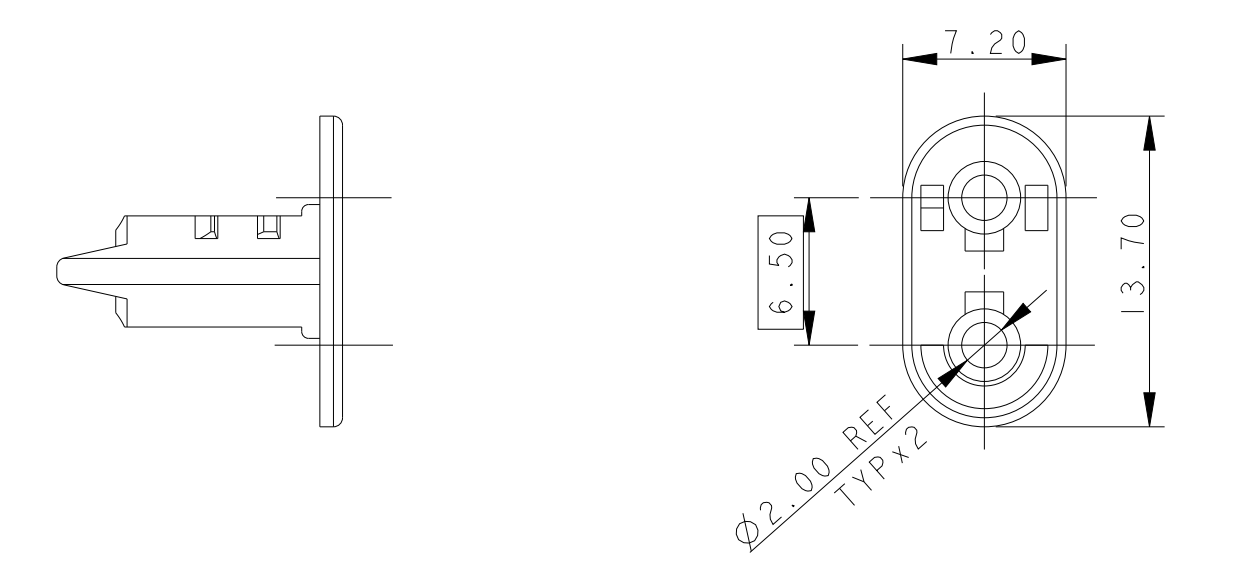
| TERMINAL FEMALE   | WIRE SEAL   | BLIND PLUG  |
|---|---|-------------|
| 0-1437709-9 (0.22-0.35mm <sup>2</sup> ) GOLD PLATED<br>1-1437709-0 (0.50-1.00mm <sup>2</sup> ) GOLD PLATED<br>1-1437709-7 (1.50mm <sup>2</sup> ) GOLD PLATED<br>1-1437709-4 (0.22-0.35mm <sup>2</sup> ) TIN PLATED<br>1-1437709-5 (0.50-1.00mm <sup>2</sup> ) TIN PLATED<br>1-1437709-6 (1.50mm <sup>2</sup> ) TIN PLATED | 1-1437713-1 (0.22-0.35) BLACK<br>1-1437713-2 (0.50-1.00) RED<br>1-1437713-3 11.501 BLUE | 1-1437713-4 |

**MATING PARTS**

| TE PART No. | DESCRIPTION                           |
|-------------|---------------------------------------|
| -           | 2 WAY FEMALE CONNECTOR WATERPROOF     |
| -           | 2 WAY FEMALE CONNECTOR NON WATERPROOF |

**2 SPACER**

WATERPROOF (LIGHT BLUE)  
 NOT WATERPROOF (RED)



**3 SEAL**

WATERPROOF

