

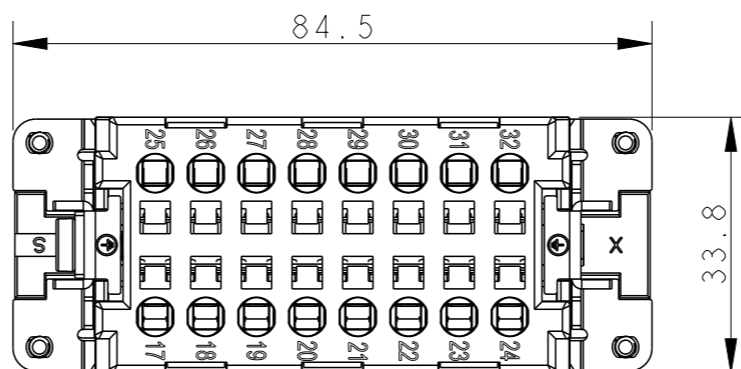
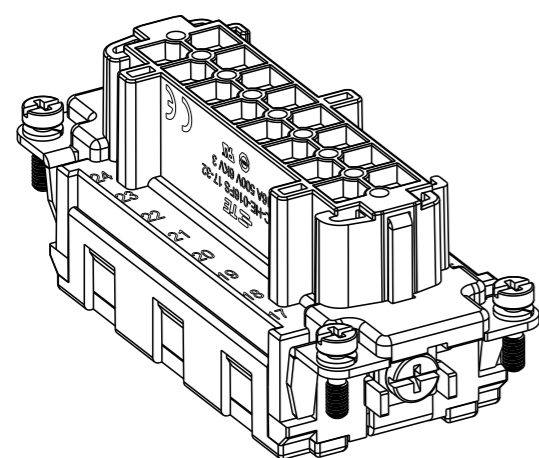
P	LTR	DESCRIPTION	DATE	DWN	APVD
A		INITIAL RELEASE	20APR2015	CY	CW
B		ECR-15-013759	09OCT2015	DW	CW
C		ECR-21-106515	09JUL2021	SQ	CW
D		ECR-25-246909	20JUN2025	ABS	RB

NOTES:

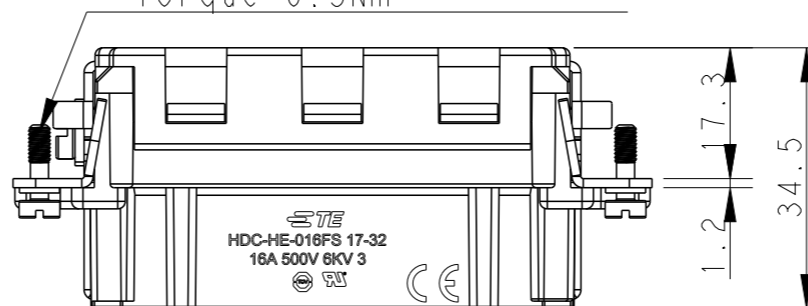
- TECHNICAL CHARACTERISTICS:
 INSULATION MATERIAL: PC
 RATED VOLTAGE: 500V
 RATED CURRENT: 16A
 INSULATION RESISTANCE: $\geq 400M\Omega$
 RATED IMPULSE VOLTAGE: 6KV
 POLLUTION DEGREE: 3
 FLAMMABILITY: UL94V-0
 MATING CYCLES: 500 CYCLES
 OPERATION TEMPERATURE: $-40^{\circ}C \sim +125^{\circ}C$
 WIRE RANGE: $0.5mm^2 \sim 2.5mm^2$ (AWG20-AWG14)
 CONTACT TYPE: SPRING CLAMP

注释:

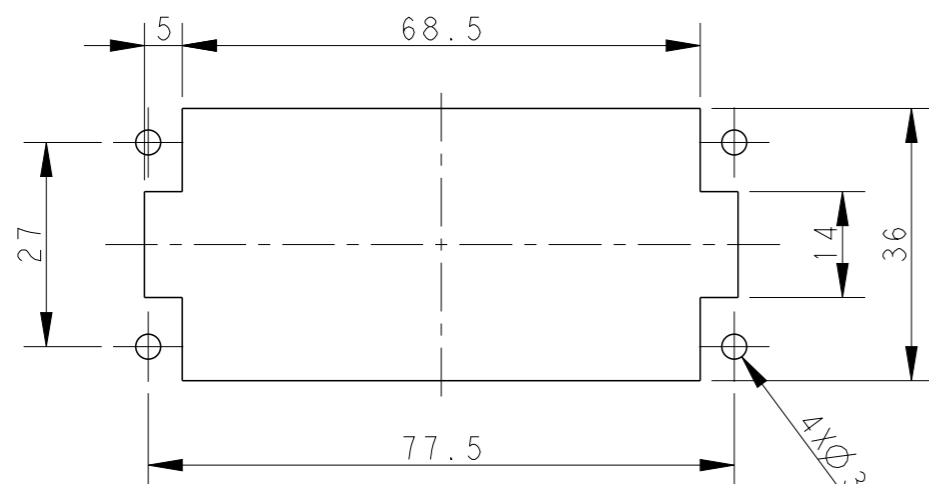
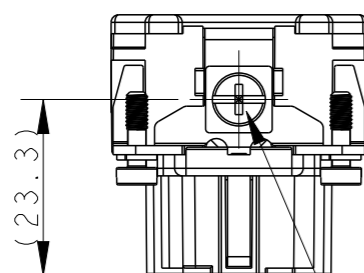
- 技术参数:
 绝缘材料: PC
 额定电压: 500V
 额定电流: 16A
 绝缘电阻: $\geq 400M\Omega$
 脉冲电压: 6KV
 污染等级: 3
 阻燃等级: UL94V-0
 插拔次数: 500 次
 工作温度: $-40^{\circ}C \sim +125^{\circ}C$
 接线范围: $0.5mm^2 \sim 2.5mm^2$ (AWG20-AWG14)
 接线类型: 弹片压接



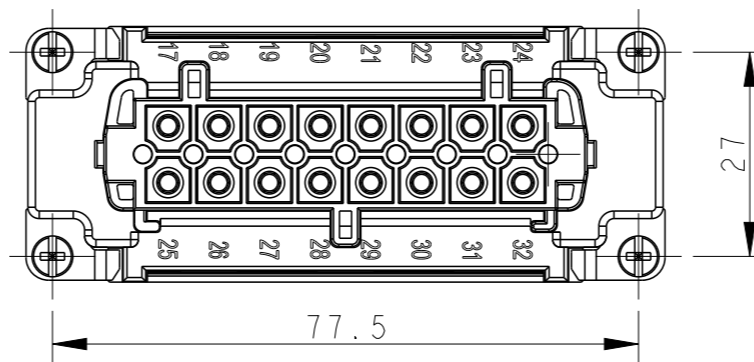
4 X M3 screw,
recommended tightening
torque 0.5Nm



M4 screw, recommended
tightening torque 1.2Nm



不使用防护外壳时芯件的安装开孔图
 Panel cut out for inserts
 for use without hoods/housings



THIS DRAWING IS A CONTROLLED DOCUMENT.

DIMENSIONS:	TOLERANCES UNLESS OTHERWISE SPECIFIED:
mm	0 PLC ± 0.15
	1 PLC ± 0.25
	2 PLC ± 0.30
	3 PLC ± 0.40
	4 PLC ± 0.50
	ANGLES ± 0.15
MATERIAL	FINISH
-	-

DWN	Gino.Yao	15APR2015
CHK	Chris.Wang	15APR2015
APVD	Xiang.Xu	15APR2015
PRODUCT SPEC	108-137044	
APPLICATION SPEC	114-137044	
WEIGHT	-	
CUSTOMER DRAWING		

HE-016-FS 17-32		T2040323201-000	
DESCRIPTION		PART NUMBER	
TE TE Connectivity			
NAME: HE-016-FS 17-32			
SIZE	CAGE CODE	DRAWING NO	RESTRICTED TO
A3	00779	C-T2040323201000	-
SCALE		SHEET	REV
4:5		1 OF 1	D