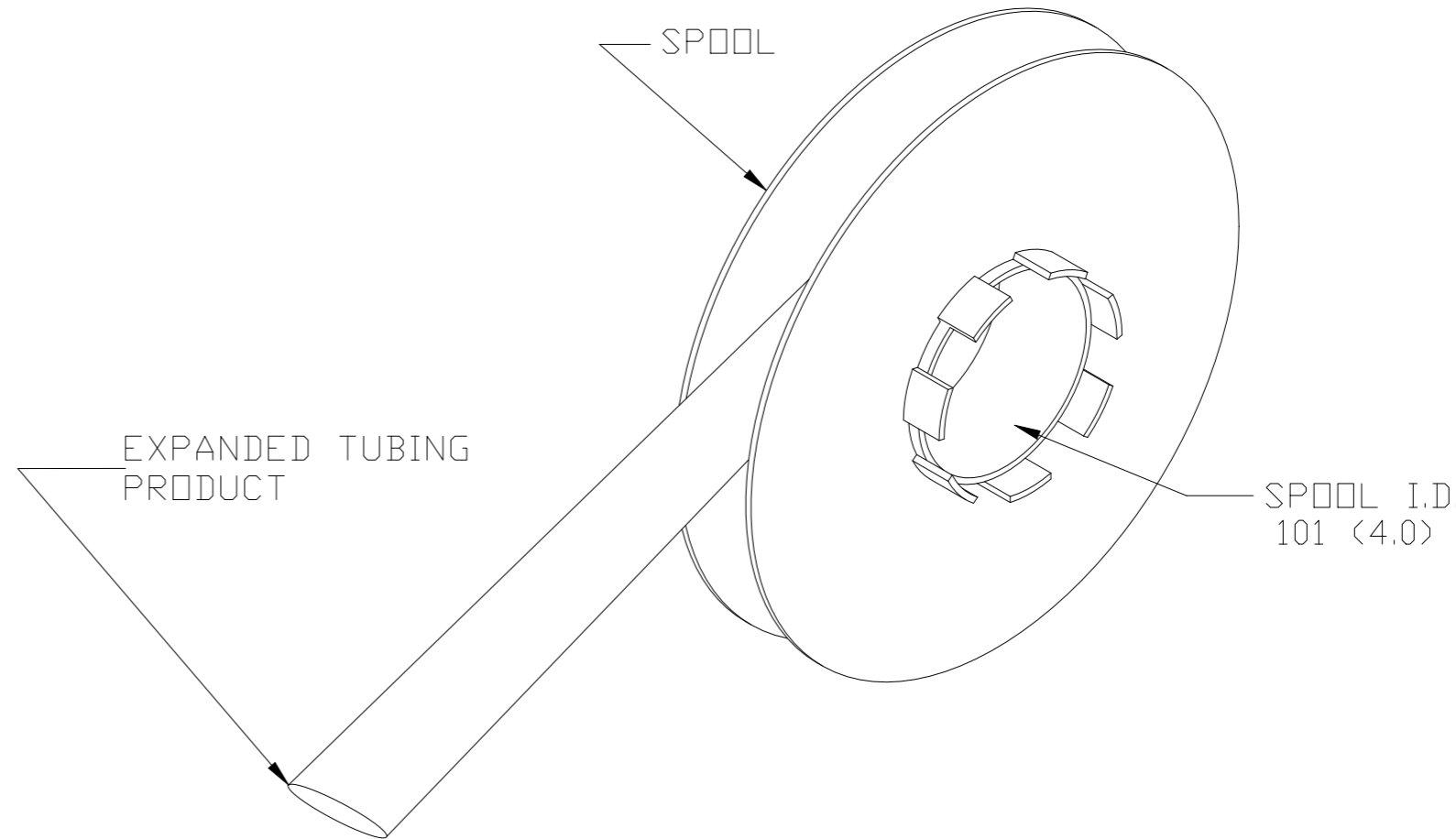
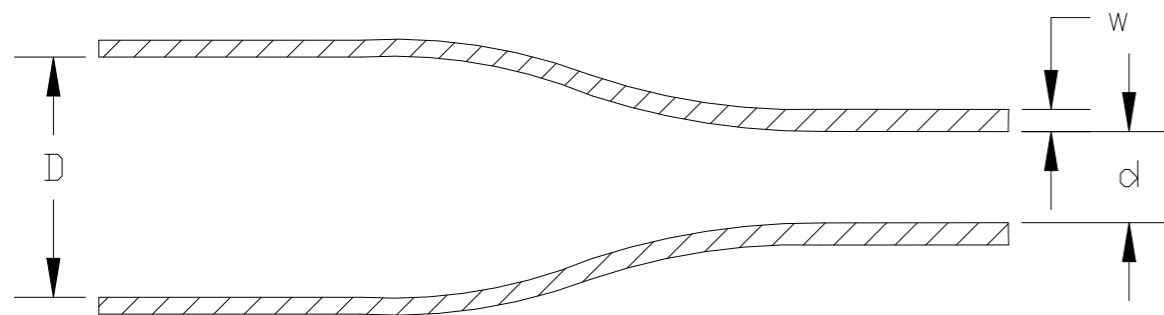
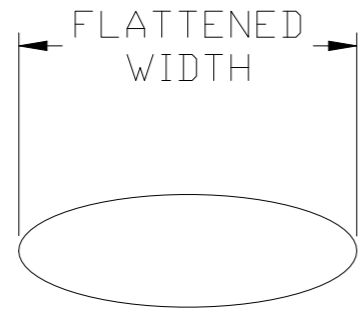


P	LTR	DESCRIPTION	DATE	DWN	APVD
	A1	TYPO CORRECTIONS ECR-23-175316	18MAY2023	AFK	MN



Product Size	2.4	3.2	4.8	6.4	9.5	12.7	19.0	25.4	38.1
"D" Minimum Supplied I.D.	2.4 (.094)	3.2 (.126)	4.8 (.189)	6.4 (.250)	9.5 (.375)	12.7 (.500)	19.0 (.750)	25.4 (1.00)	38.1 (1.50)
"d" Maximum Recovered I.D.	1.2 (.0472)	1.6 (.063)	2.4 (.094)	3.2 (.126)	4.8 (.189)	6.4 (.250)	9.5 (.375)	12.7 (.500)	19.1 (.750)
"w" Recovered Wall Thickness	0.50±0.10 (.020±.004)	0.50±0.10 (.020±.004)	0.51±0.11 (.020±.004)	0.65±0.15 (.026±.006)	0.65±0.15 (.026±.006)	0.65±0.15 (.026±.006)	0.75±0.15 (.030±.006)	0.90±0.15 (.035±.006)	1.00±0.20 (.039±.008)
Minimum Sleeve Flattened Width	4.90 (.193)	6.50 (.256)	8.90 (.350)	11.0 (.433)	15.7 (.618)	20.7 (.815)	30.7 (1.209)	41.1 (1.618)	61.0 (2.402)

NOTES:

1. ALL DIMENSIONS ARE IN MILLIMETERS (inches).

THIS DRAWING IS A CONTROLLED DOCUMENT.		DWN AFK CHK -	15JAN2020	TE Connectivity HX-CT OUTSIDE PRINTER SPOOL	
DIMENSIONS: mm 		TOLERANCES UNLESS OTHERWISE SPECIFIED: 0 PLC ± - 1 PLC ± - 2 PLC ± - 3 PLC ± - 4 PLC ± - ANGLES ± -			
MATERIAL CROSSLINKED POLYOLEFIN		FINISH -		PRODUCT SPEC RW-2072	SIZE 411-121008
				APPLICATION SPEC 411-121008	RESTRICTED TO -
				WEIGHT VARIOUS	CAGE CODE A30198G
				DRAWING NO C-MCD170013	
				SCALE NTS	
				SHEET 1 OF 1	
				REV A1	