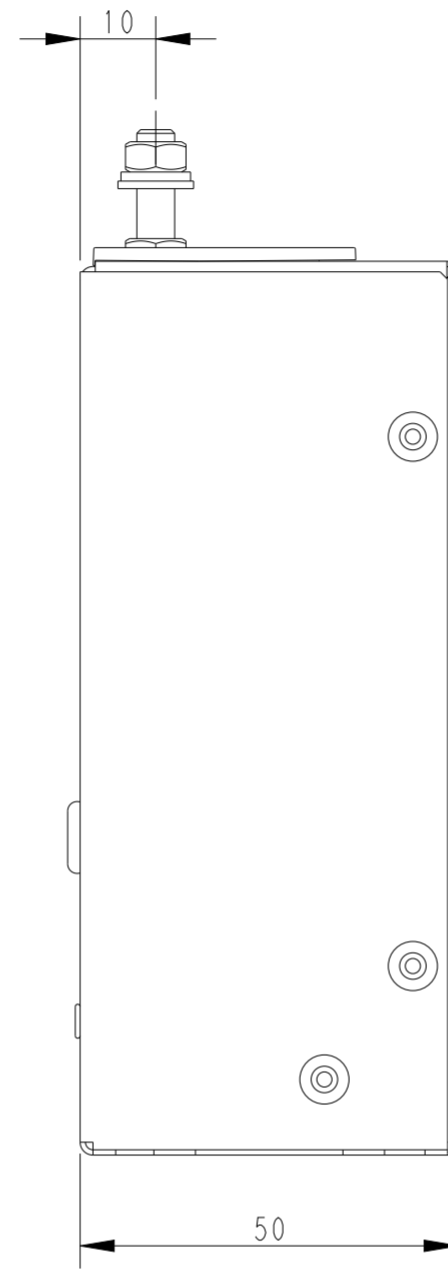
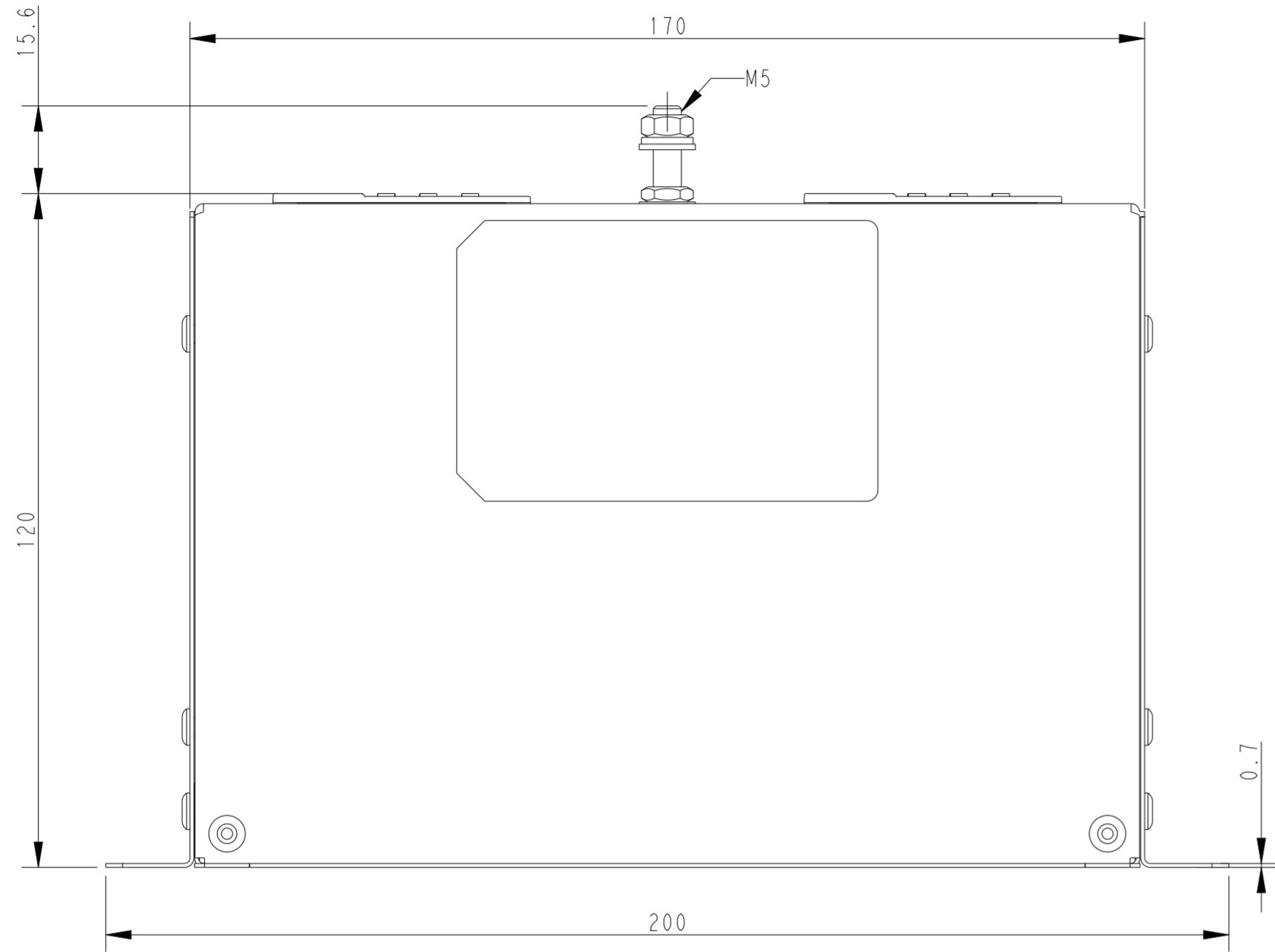


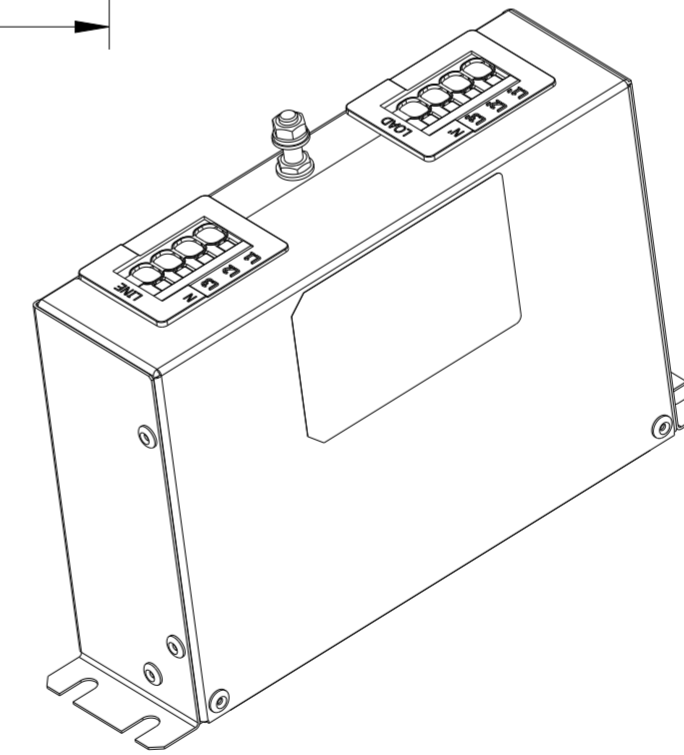
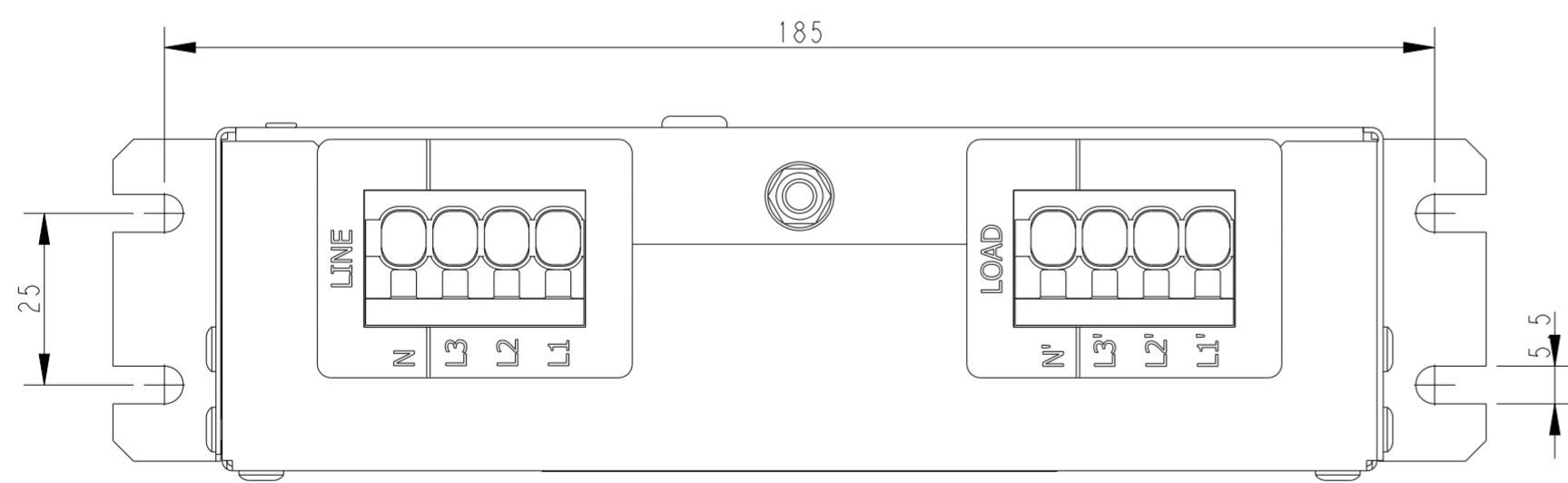
REVISIONS

P	LTR	DESCRIPTION	DATE	DWN	APVD
	A	NEW DRAWING	13NOV2025	PS	AF

8A/16A



DESCRIPTION	TE PART NO/ MATERIAL NUMBER
FN3298-8-103-C30-R65	823763-SF
FN3298-8-103-C25-R65	823764-SF
FN3298-16-103-C30-R65	823765-SF
FN3298-16-103-C25-R65	823766-SF



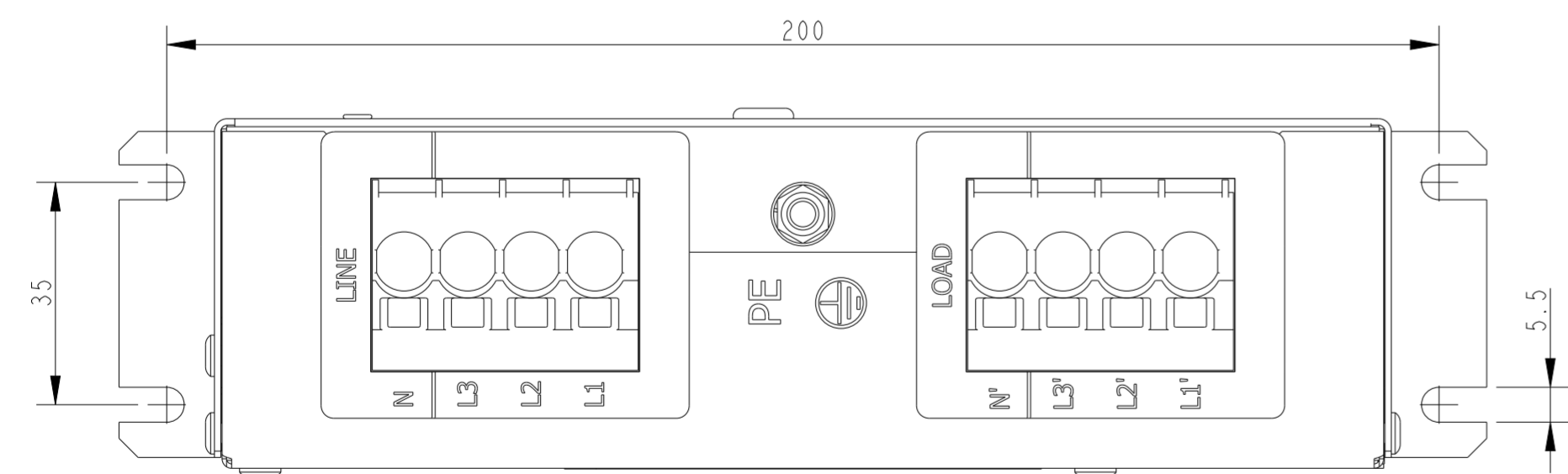
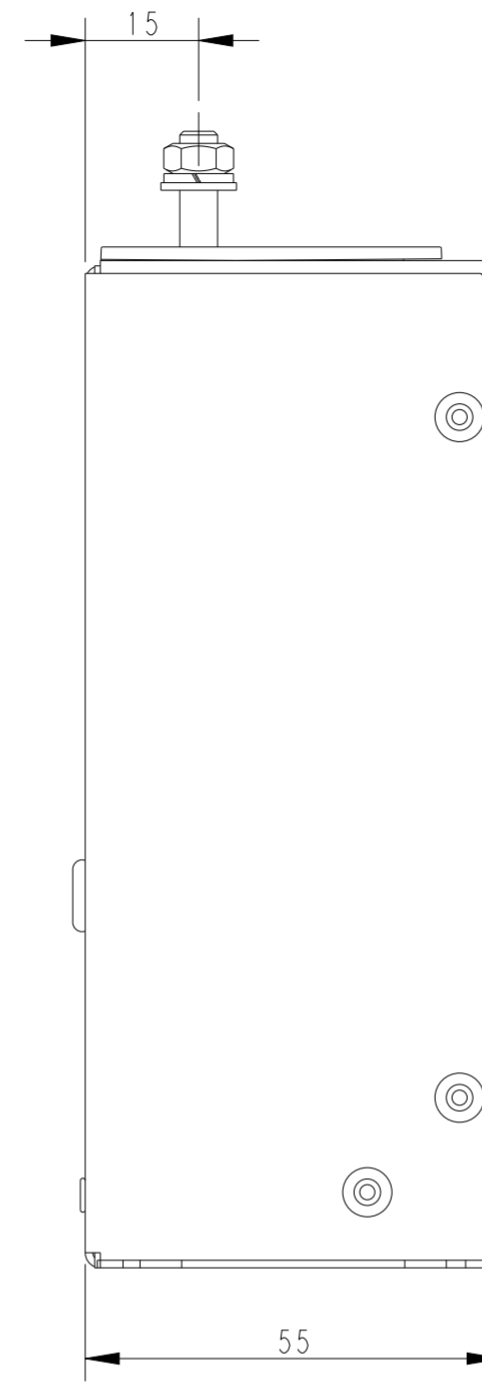
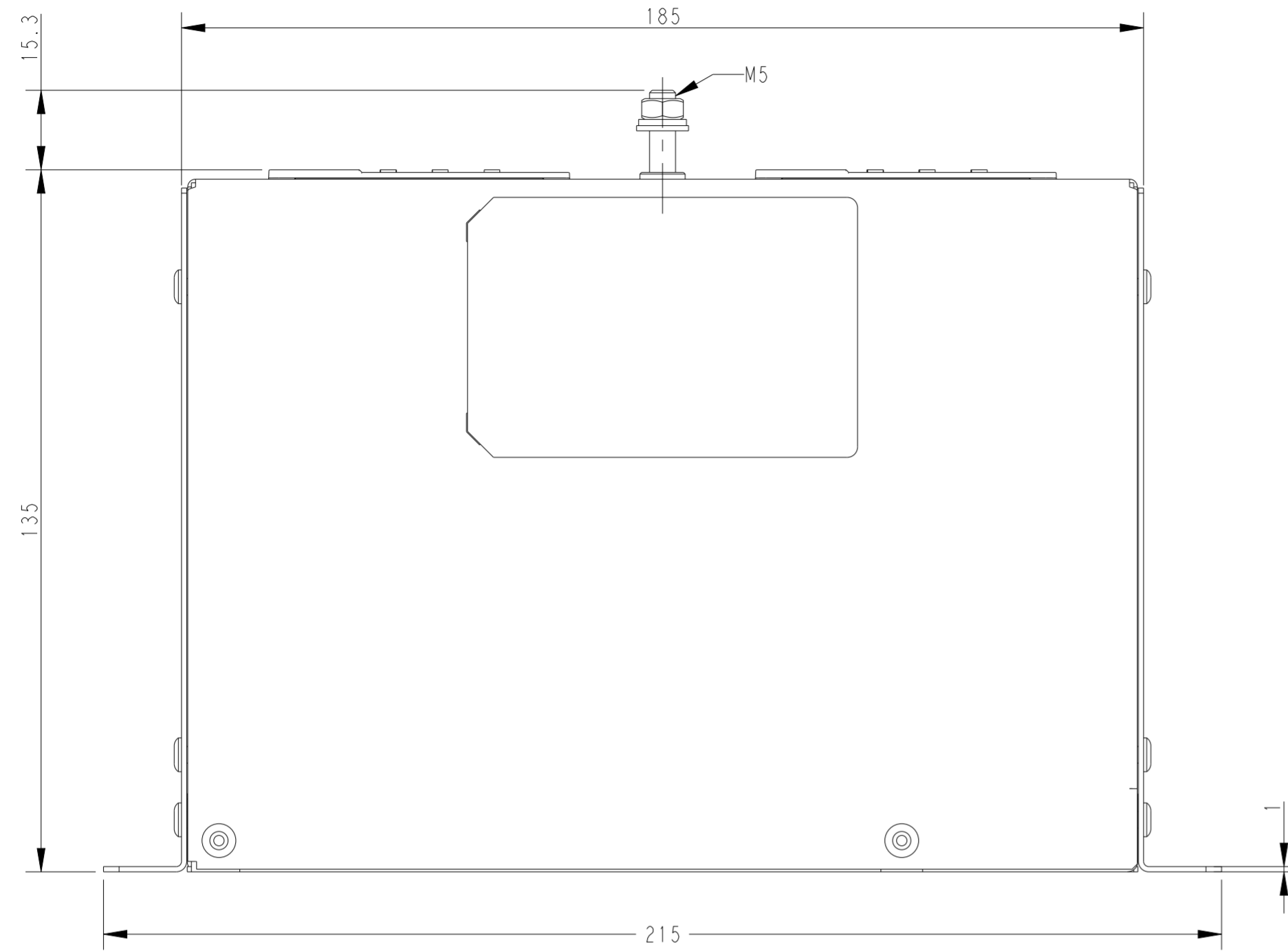
SCALE 1:2

For dimensions [mm] without tolerances:  
ISO2768-m/EN22768-m applies

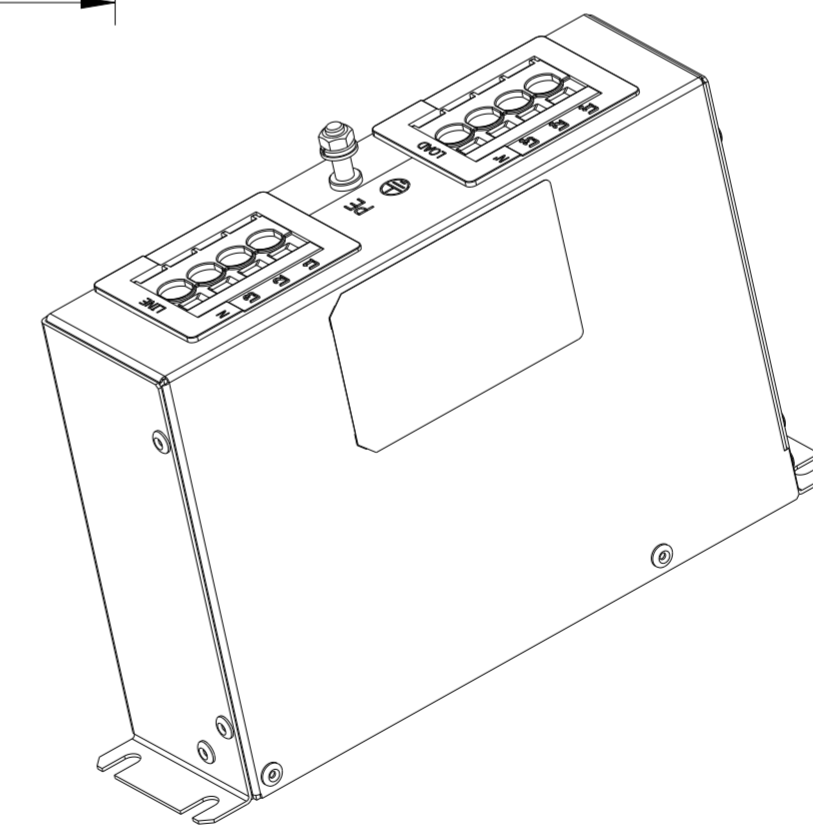
THIS DRAWING IS A CONTROLLED DOCUMENT.		DWN PUNEET S 13NOV2025		
DIMENSIONS: mm		CHK FAIVRE, ARNAUD 13NOV2025		
TOLERANCES UNLESS OTHERWISE SPECIFIED:		APVD FAIVRE, ARNAUD 13NOV2025	NAME FN3298-XX-10X-CXX-R6X	
		PRODUCT SPEC	SIZE	
0 PLC ± 1 PLC ± 2 PLC ± 3 PLC ± 4 PLC ± ANGLES ± FINISH -		APPLICATION SPEC	CAGE CODE A200779	DRAWING NO C-FN3298
MATERIAL		WEIGHT	RESTRICTED TO	
		CUSTOMER DRAWING	SCALE 5:1	SHEET 1 OF 3
			REV A	

P	LTR	DESCRIPTION	DATE	DWN	APVD
		SEE SHEET 1			

25A



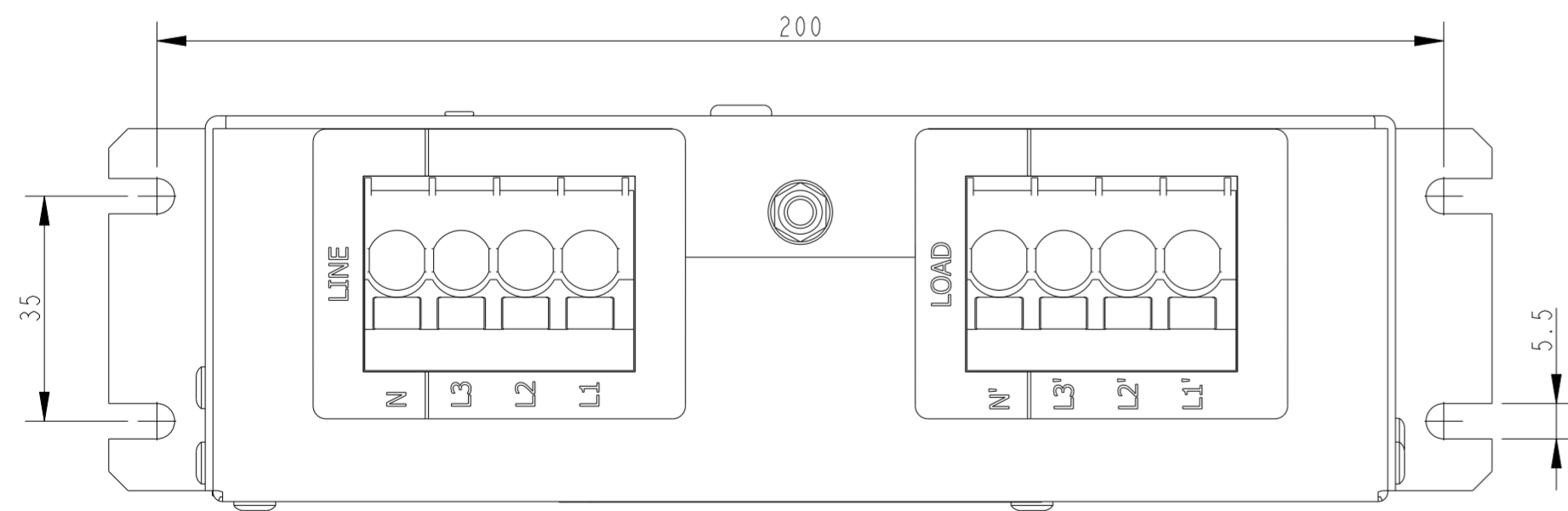
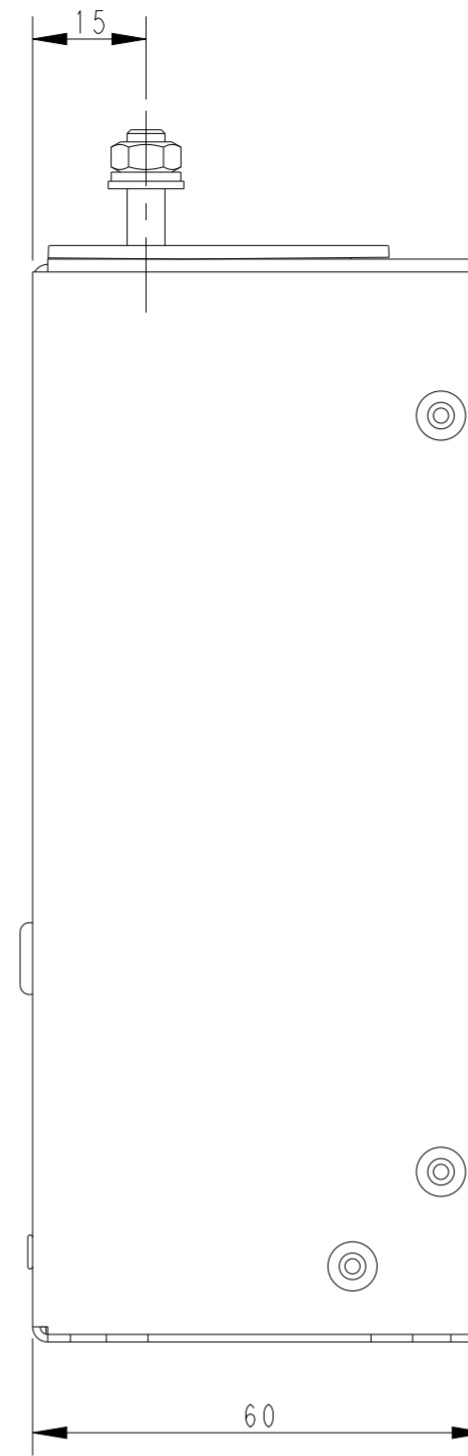
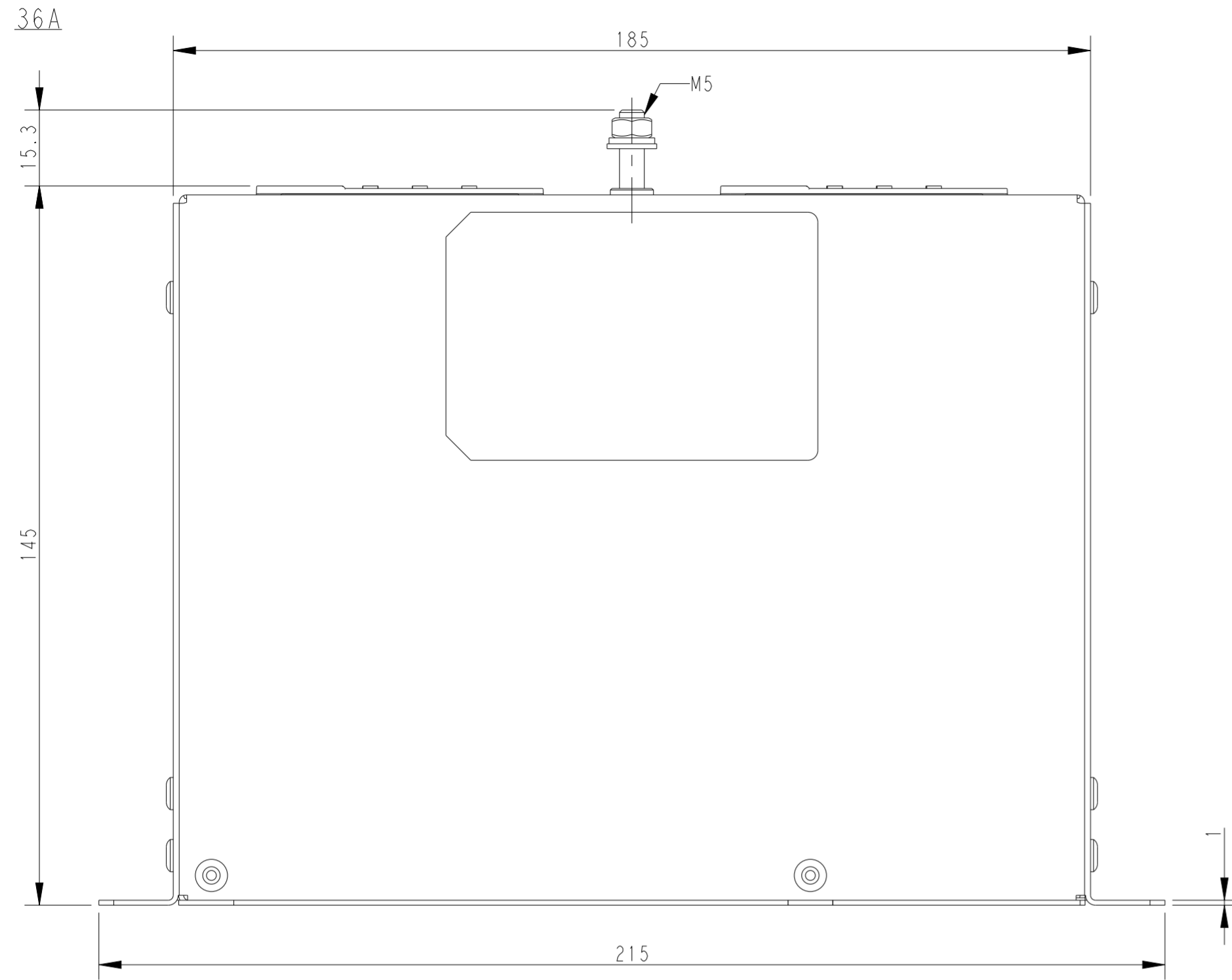
DESCRIPTION	TE PART NO/ MATERIAL NUMBER
FN3298-25-105-C30-R65	823767-SF
FN3298-25-105-C25-R65	823768-SF



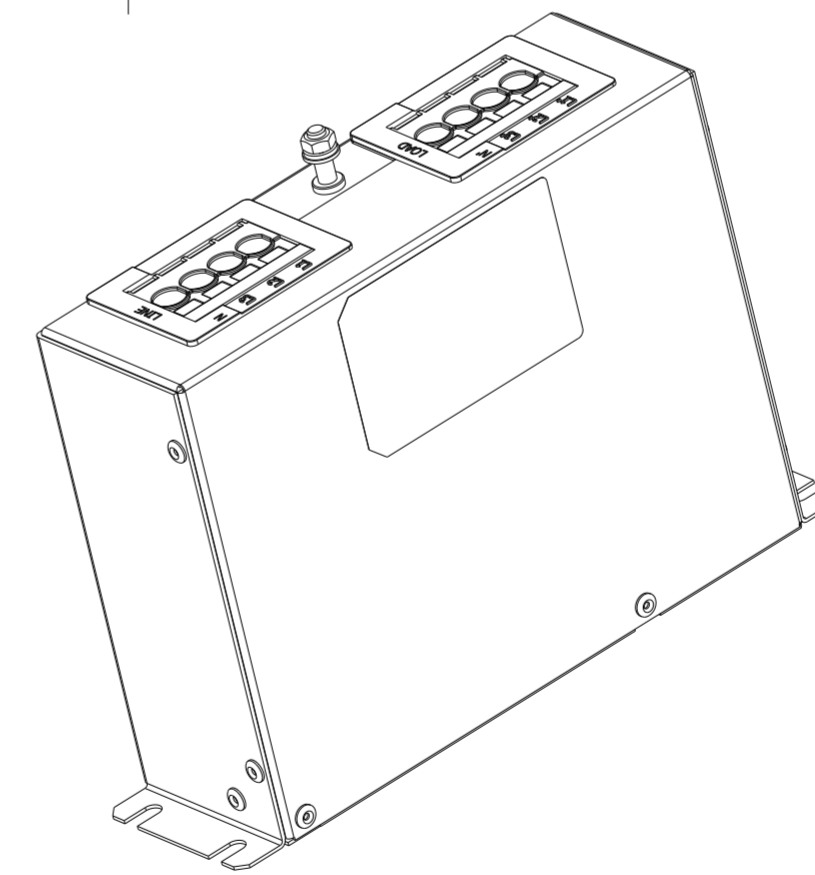
SCALE 1:2

THIS DRAWING IS A CONTROLLED DOCUMENT.		DWN PUNEET S 13NOV2025					
DIMENSIONS: mm		CHK FAIVRE, ARNAUD 13NOV2025					
TOLERANCES UNLESS OTHERWISE SPECIFIED:		APVD FAIVRE, ARNAUD 13NOV2025	NAME FN3298-XX-10X-CXX-R6X				
<ul style="list-style-type: none"> <li>0 PLC ±</li> <li>1 PLC ±</li> <li>2 PLC ±</li> <li>3 PLC ±</li> <li>4 PLC ±</li> <li>ANGLES ±</li> <li>FINISH -</li> </ul>		PRODUCT SPEC -	SIZE A2	CAGE CODE 00779	DRAWING NO G-FN3298	RESTRICTED TO -	
MATERIAL -		APPLICATION SPEC -	WEIGHT -		SCALE 1:1	SHEET 2 OF 3	REV A
For dimensions [mm] without tolerances: ISO2768-m/EN22768-m applies		CUSTOMER DRAWING					


P	LTR	DESCRIPTION	DATE	DWN	APVD
		SEE SHEET 1			



DESCRIPTION	TE PART NO/ MATERIAL NUMBER
FN3298-36-105-C30-R65	823769-SF
FN3298-36-105-C25-R65	823770-SF



SCALE 1:2

THIS DRAWING IS A CONTROLLED DOCUMENT.		DWN PUNEET S 13NOV2025	 TE Connectivity		
DIMENSIONS: mm		CHK FAIVRE, ARNAUD 13NOV2025			
TOLERANCES UNLESS OTHERWISE SPECIFIED:		APVD FAIVRE, ARNAUD 13NOV2025	NAME FN3298-XX-10X-CXX-R6X		
0 PLC ± 1 PLC ± 2 PLC ± 3 PLC ± 4 PLC ± ANGLES ± FINISH -		PRODUCT SPEC -	RESTRICTED TO -		
MATERIAL -		APPLICATION SPEC -	SIZE A2	CAGE CODE 00779	DRAWING NO G-FN3298
		WEIGHT -	SCALE 5:1 SHEET 3 OF 3 REV A		
		CUSTOMER DRAWING			

For dimensions [mm] without tolerances:  
ISO2768-m/EN22768-m applies